



ARCHGARD INDUSTRIES LTD.  
7116 Beatty Dr., Mission BC, V2V 6B4  
CANADA

Installation and Operation Instructions for:

**Marquis AGDV-38D Natural Gas  
Marquis AGDV-38DP Propane**

**Direct Vent Gas Fireplace  
Decorative Gas Appliance**

Not a source of heat. Not for use with solid fuel.

**FOR YOUR SAFETY**

**WHAT TO DO IF YOU SMELL GAS:**

- Do not try to light any appliance.
- Do not touch any electrical switches.
- Do not use any phone in your building.
- Immediately call your gas supplier from a neighbor's phone,  
follow the gas supplier's instructions.
- If you can't reach your gas supplier, call the fire department.

**FOR YOUR SAFETY**

Do not store or use gasoline or other flammable  
vapors and liquids in the vicinity of this or any other appliance

**WARNING:**

Improper installation, adjustment, alteration, service or  
maintenance can cause injury, property damage or loss of life

**READ THESE INSTRUCTIONS CAREFULLY BEFORE INSTALLING  
PLEASE KEEP THESE INSTRUCTIONS FOR FUTURE REFERENCE**

WARNOCK HERSEY



---

## TABLE OF CONTENTS

GENERAL INFORMATION	2
SPECIFICATIONS	2
CAUTION	2
LOCATING YOUR FIREPLACE	3
FRAMING DIMENSIONS	3
CLEARANCE TO COMBUSTIBLES	3
VENT LOCATION	4
CAUTION	4
GENERAL VENTING SPECIFICATIONS	4
INSTALLATION INSTRUCTIONS	5
FAN INSTALLATION	6
OPERATION INSTRUCTIONS	7
LIGHTING INSTRUCTIONS	7
TURNING OFF GAS APPLIANCE	8
MAINTENANCE AND CLEANING	8
GLASS DOOR REMOVAL	8
REPLACEMENT PARTS	8
ALLOWED TERMINATION LOCATIONS	9

## GENERAL INFORMATION

The AGDV-38D & AGDV-38DP are Natural Gas / Propane zero-clearance direct vent type fireplaces. They have been tested to CGA 2.22/Interim requirement #41, CGA I.R. #41-1991, CGA I.R. #55, Rev 1-1995, ANSI Z21.50-1989, and venting requirements from ANSI Z21.44-1988. They are Warnock Hersey listed for use in Canada and the United States.

## SPECIFICATIONS

### Gas Type: Natural Gas

Manifold Press:	3.5"	WC	0.87kpa
Min. Supply Press:	5"	WC	1.25kpa
Max. Supply Press:	14"	WC	3.56kpa
Orifice Size:	48	DMS	1.93mm
Input:	16,500	BTUH	5.36kw
Altitude:	0-4500	FT.	0-1372m
Primary Air Opening:	1/8" - 3/16"		

### Gas Type: Propane

Manifold Press:	9.5"	WC	2.37kpa
Min. Supply Press:	11"	WC	2.74kpa
Max. Supply Press:	14"	WC	3.56kpa
Orifice Size:	55	DMS	1.32mm
Input:	15,500	BTUH	4.54kw
Altitude:	0-4500	FT.	0-1372m
Primary Air Opening:	1/8" - 5/16"		

Installation of this unit should be done by a qualified contractor and must conform with local codes or, in the absence of local codes, with the current National Fuel Gas Code ANSI Z223.1/NFPA 54 (in USA) or the current CAN/CGA B149, Installation Codes.

Consult your local gas inspection branch about the particular requirements concerning the installation of factory built gas fireplaces.

Electrical connection and grounding must be in accordance with local codes and current CSA C22.1 (in Canada) or current national electric code ANSI/NFPA 70 (in USA).

## CAUTION

Due to high temperatures, the appliance should be located out of traffic and away from furniture and draperies.

Children and adults should be alerted to the hazards of high surface temperatures and should stay away to avoid burns or clothing ignition. Young children should be carefully supervised when they are in the same room as the appliance.

Clothing or other flammable material should not be placed on or near the appliance.

Any guards or screens removed for servicing must be replaced prior to operating the appliance.

Installation and repair should be done by a qualified gas fitter or contractor. The appliance should be inspected before use and at least annually by a professional service person. More frequent cleaning may be required due to excessive lint from carpeting, bedding materials, etc. The control compartment, burner and circulating air passages must be kept clean and free of dust.

- ◆ The venting system of this appliance should be inspected at least once a year.
- ◆ Under no circumstances should this appliance be modified.

## LOCATING YOUR FIREPLACE

This fireplace may be installed in any location that is free of plumbing, electrical wiring and heating or air conditioning ducts. Select a location that is accessible for venting. (See *allowed termination locations*)

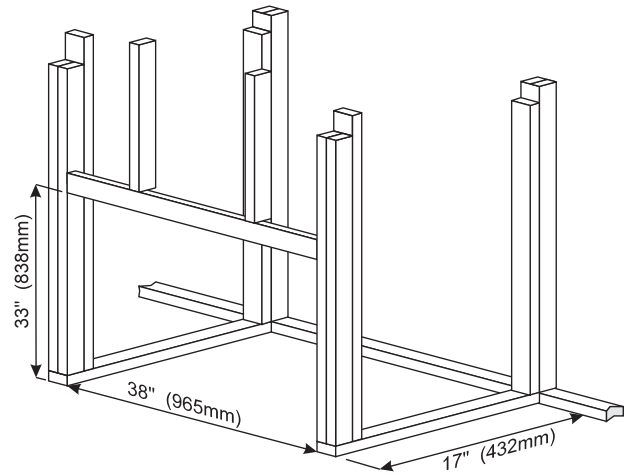
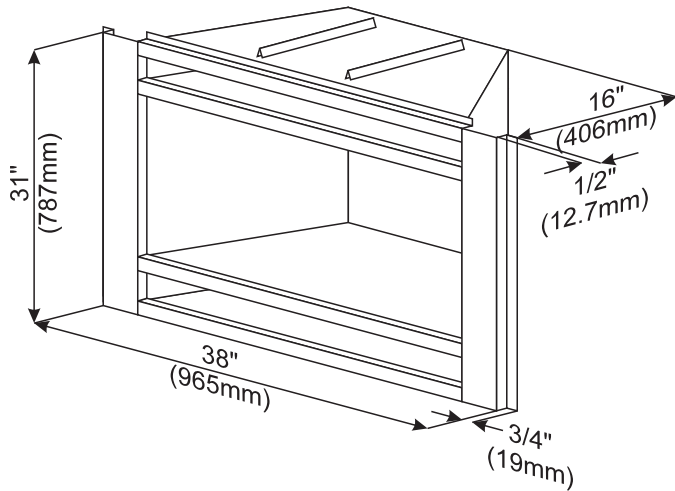


DIAGRAM 3

## FRAMING DIMENSIONS

For cold climate installation, it is recommended that the exterior wall or chase be insulated to conform to applicable insulation codes.

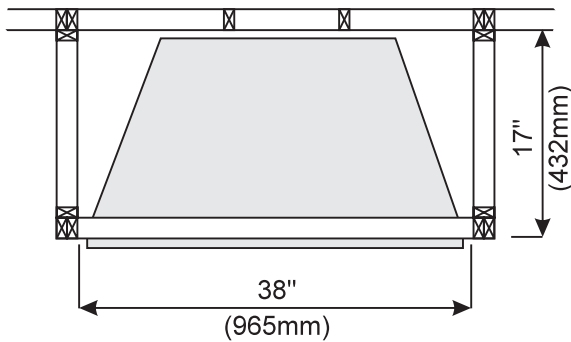


DIAGRAM 1

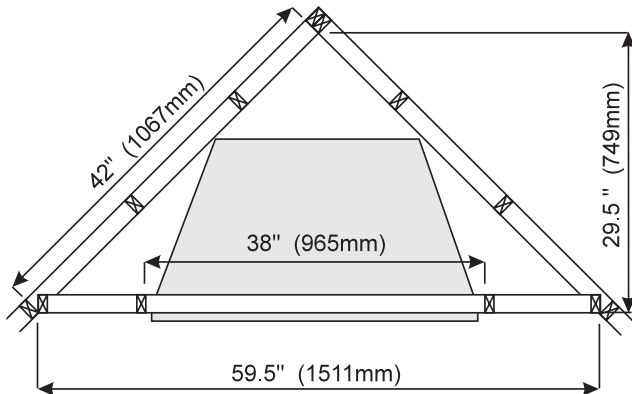


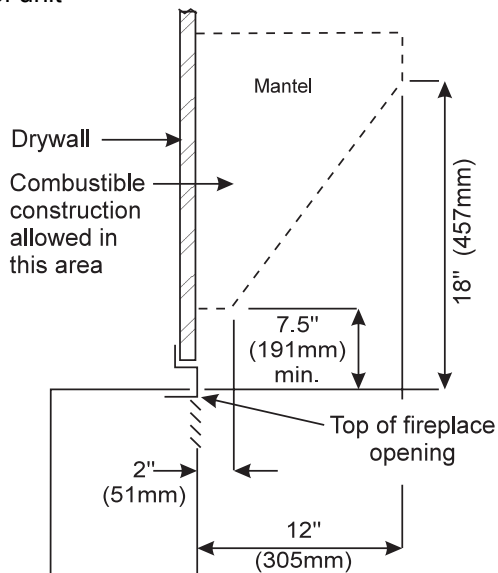
DIAGRAM 2

## CLEARANCE TO COMBUSTIBLES

Back	= 0" (0mm) to standoffs
Left side	= 0" (0mm) to standoffs
Right side	= 0" (0mm) to standoffs
Top	= 0" (0mm) to standoffs
Bottom	= 0" (0mm)
Vents	= 1" (25.4mm) to sides/ bottom
	= 3" (76.2mm) to top
Adjacent sidewall Left	= 0" (0mm)
Right	= 0" (0mm)
Mantel	= see diagram below

**Note:** Temperatures near mantel will be hotter than normal room temperature and wall surfaces may be hot to the touch.

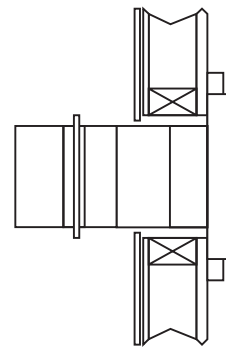
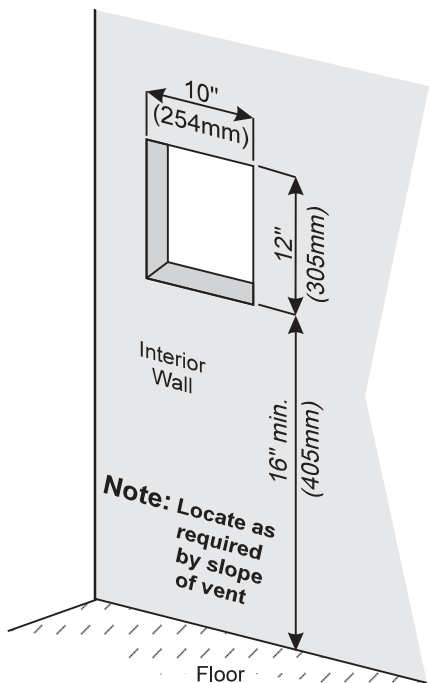
The minimum distance above combustible flooring shall be maintained from the top surface of carpeting, tile, etc. Do not install directly on carpet, appliance shall be installed on metal or wood panel extending full width and depth of unit



### VENT LOCATION

Once you have established the fireplace location using the **Allowed Termination Locations**, then you can frame in the vent outlet as per diagram below.

**Note:** *TK-38 termination wall thickness is a min. 5" and max. 11".*



### Wall Termination

### CAUTION

- 1) Vent termination should be 24" above grade.
- 2) In heavy snowfall areas make sure vent terminal is not blocked with snow by removal equipment.
- 3) Do not obstruct the vent termination by planting, bushes, building obstructions, or for any reason attempt to conceal the vent termination. *Doing so will affect the fireplace operation and could be hazardous!*
- 4) Do not recess vent terminals into walls, siding, or planters.
- 5) Flue gases from vent terminals are very hot and must not be restricted so as not to affect combustion.
- 6) If is recommended that all terminals below 7' from grade level or on patios and areas accessible to the public, be covered by a certified protective cage.

### GENERAL VENTING SPECIFICATIONS

Use Marquis AGDV-38D or AGDV-38DP vent components only.

All vent pipes must maintain a minimum of 1" clearance to combustibles on sides and bottom, and 3" from the top.

**WARNING:**  
Use of unlisted vent pipes or alteration of same,

**can cause possible injury, property damage or loss of life.**

The AGDV-38 was designed for 2 possible installation locations.

**SVK-38 (See Diagram 1)**

Straight out from rear of unit through 4", 6" or cement walls up to 20" maximum vent length.

- 1 8" x 20" Rigid pipe
- 1 5" x 20" Aluminum 2 ply flex pipe (UL/ULC listed)
- 1 TK38 Vent termination kit
- 1 Small tube of MILL-Pac

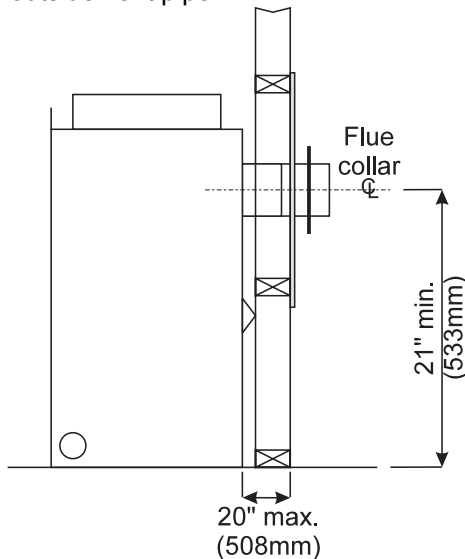
**CVK-38 (See Diagram 2)**

45° corner installation with adjustable elbow and up to 16" maximum vent length.

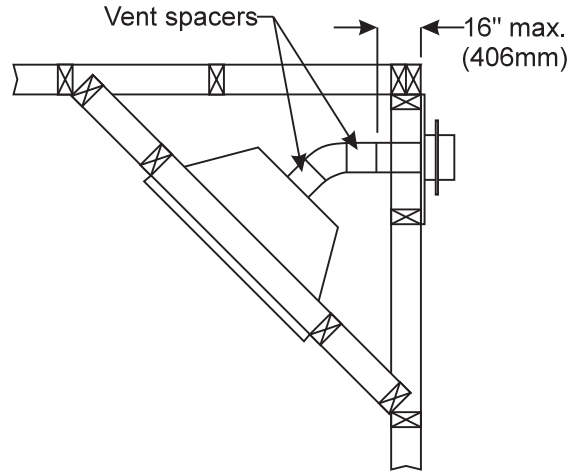
- 1 8" x 16" Rigid pipe
- 1 5" x 32" Aluminum 2 ply flex pipe (UL/ULC listed)
- 1 8" x 45° Adjustable elbow
- 1 TK-38 Vent termination Kit
- 2 Vent spacers (springs)
- 1 Small tube of MILL-Pac

The inside flue vent pipe is 5" 2 ply aluminum flex (UL/ULC listed) Flexmaster or Ecco gas chimney liner. It can be bent to 45° or 90° to suit application. It must not be stretched to gain more length.

The outside vent pipe is 8" 26GA galvanized. All vents must be secured with at least three (3) screws per joint, except termination end of pipes, and a bead of Mill-Pac at least 1/4" in thickness. Vent spacers will wrap around flex and secure to provide clearance between inside flue pipe and outside vent pipe.



**DIAGRAM 1 (side view)**



**DIAGRAM 2 (top view)**

All joints in the venting system including the appliance collar and the vent termination must be secured with three (3) screws per joint and caulked at every joint and seam. The vent spacers must be placed in 3' intervals to maintain clearances. The inner and outer vent must be sealed with high temperature sealant Mill-Pac a supplied or equivalent and the sealant must be applied at least 1/4" (6mm) in thickness.

**INSTALLATION INSTRUCTIONS**

**Frame enclosure as per (Framing Dimensions) and (Allowed Termination Locations)**

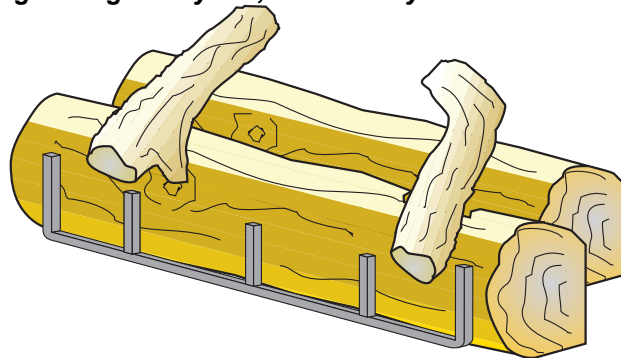
- 1) Place fireplace into framed opening and nail on side flanges.
- 2) Route gas line to valve compartment and connect 3/8" NPT valve if connection is 1/2 NPT, use reducer to 3/8 NPT. For the purpose of input adjustment, the gas line requires a min. inlet pressure of 5" WC for natural gas and a min. inlet pressure of 11" WC for propane. A 1/8" NPT plugged tapping is provided on gas valve frontside for test gauge connection. Install as per current CAN/CGA B149 (in Canada) and the current National Fuel Code ANSI 223.1/ NFPA 54 (in USA) and leak test with soap solution.
- 3) The appliance and its individual shutoff valve must be disconnected from the gas supply piping system during any pressure testing of that system at test pressures in excess of 1/2 PSI.
- 4) The appliance must be isolated from the gas supply piping system by closing its individual manual shut off valve during any pressure testing of the gas supply piping system, at pressures equal to, or less than 1/2 PSI.

**Note: Max. supply pressure =14" WC (3.48KPA) or 1/2" PSI for natural gas or Propane.**

- 5) Do not connect to a chimney flue serving a separate solid-fuel burning appliance.

- 6) Install a remote wall switch where it is convenient and route 18 GA millivolt wire 15' max. (not provided) to switch. **See Diagram 1.**
- 7) Push the 5" pipe 6" past the outside wall and the 8" pipe 2" past the outside wall. Push pipes onto respective flue collars and measure total wall thickness. Mark pipes and cut to length so they are flush with the outside wall.
- 8) Install the firestop or wall radiation shield. Caulk 5" flex pipe with 1/4" min. Mill-Pac and install onto unit flue collar and secure with a minimum of 3 sheet metal screws. Locate spacers over 5" pipe.
- 9) Install 8" galvanized pipe over aluminum flex and caulk 8" unit flue collar with 1/4" min. Mill-Pac. **See Diagram 1.** Secure with 3 screws. **See Diagram 2.**
- 10) Mount termination unit outside wall, again using Mill-Pac on flex pipe and 8" collar to seal. Secure termination to outside wall and seal around termination kit wall plate. **See Diagram 2.**
- 11) Position 4 logs on the grate inside the firebox as shown (logs are notched for position). **See Diagram 3.**

**CAUTION:**  
Logs can get very hot, handle only when cool.



**DIAGRAM 3**

**CAUTION**  
**PERSON CONNECTING GAS TO THIS FIREPLACE SHALL:**

- ◆ Adjust and test appliance to operate in accordance to the manufacturer's specifications.
- ◆ Adjust input rate to required input if necessary by replacing the orifice or sizing the orifice.

## FAN INSTALLATION

This fan kit (FK-38) is listed for use with Archgard AGDV-38 fireplace. Check with your local building code before installation to ensure compliance.

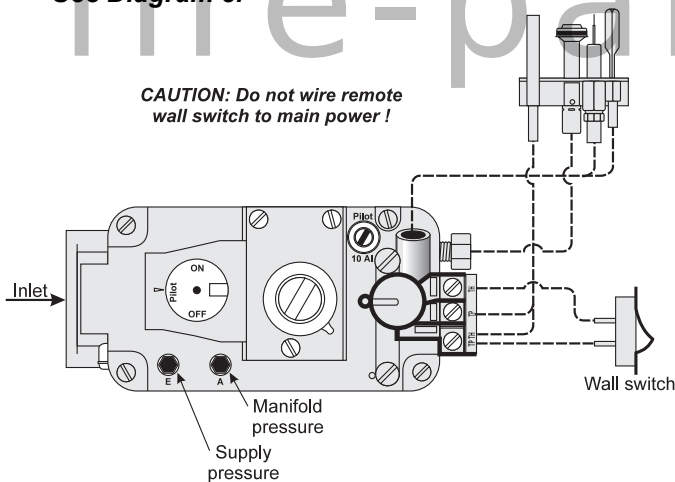
- Contents:
- 1 fan/speed controller/thermal snap switch assembly.
  - 2 3/8" wire nuts.

Tools required:

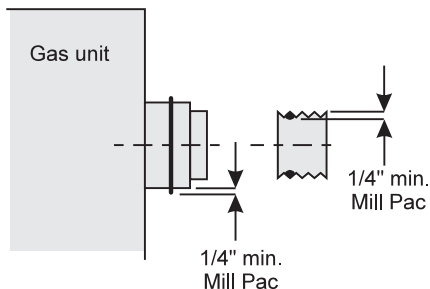
- 1/4 hex head hand screw driver.
- Flat tip hand screw driver.
- 3/8" socket

- 1) Disconnect the power before stripping or joining any supply wires. Only qualified persons should attempt to make incoming supply wire connections.
- 2) Remove the lower louver by lifting up and out.
- 3) Install the fan first. Gently slide right end of the fan into the bottom left side of the gas fireplace. Rotate the fan as it passes by the aluminum gas line. Be careful not to damage the fan blades. The fan blades will now face towards you. Place the fan bracket on the 2 bolts at the top and then tighten the 3/8" hex nuts.
- 4) Run 120VAC power line through the wire clamp on the left side of the fireplace and into the bottom of the gas fireplace. Connect a grounding wire to the side of gas fireplace. A screw hole is provided for this purpose. Connect the two bare ended wires from the speed controller assembly to the power line. See Wiring Diagram.

**CAUTION: Do not wire remote wall switch to main power!**

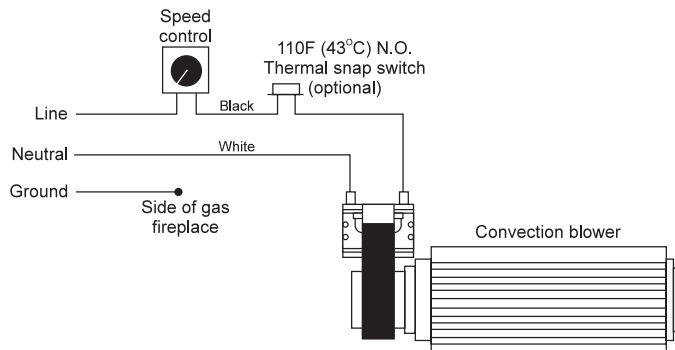


**DIAGRAM 1**



**DIAGRAM 2**

- 5) Slide the thermal snap switch into the "U" clip located underneath the firebox bottom at the left front corner.
- 6) Neatly tie down and tuck the wires down at the bottom and to the back of the fireplace. CAUTION: Do not allow any wires to touch the bottom of the firebox. Otherwise, the wires will melt and short-out.
- 7) Remove the speed controller knob. Using the two black screws, screw the speed controller bracket to the bottom left sidewall of the gas fireplace. Make sure there are no wires exposed at the front. Replace the knob.
- 8) Tighten the wire clamp. Replace the lower louver.



- D) Do not use this appliance if any part has been under water. Immediately call a qualified service technician to inspect the appliance and to replace any part of the control system and any gas control which has been under water.

## LIGHTING INSTRUCTIONS

- 1) STOP ! Read the safety information on the previous page.
- 2) Turn off all electrical power to the appliance.
- 3) Bottom louver will lift out to access the gas control.
- 4) Push in gas control knob slightly and turn clockwise.

## OPERATION INSTRUCTIONS

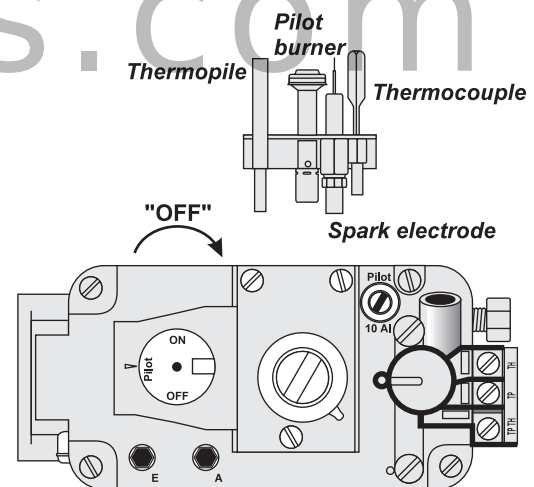
For your safety read before lighting

**WARNING: If you do not follow these instructions exactly, a fire or explosion may result causing property damage, personal injury or loss of life.**

- A) This appliance is equipped with a piezo ignition device which ignites the pilot. When lighting the pilot, follow these instructions exactly.
- B) **BEFORE LIGHTING** smell all around the appliance area for gas. Be sure to smell next to the floor because some gas is heavier than air and will settle on the floor.

### WHAT TO DO IF YOU SMELL GAS:

- ◆ Do not try to light any appliance
  - ◆ Don't touch any electrical switches
  - ◆ Do not use any phone in your building
  - ◆ Immediately call your gas supplier from a neighbor's phone, follow the gas supplier's instructions.
  - ◆ If you cannot reach your gas supplier, call the fire department
- C) Use only your hand to push in or turn the gas control knob. Never use tools. If the knob will not push in or turn by hand, do not try to repair it, call a qualified service technician. Force, or attempted repair may result in a fire or explosion.



Gas control is shown in "OFF" position

**Note: Knob can't be turned from "PILOT" to "OFF" unless the knob is pushed in slightly. Do not Force.**

- 5) Wait five (5) minutes to clear out any gas. If you then smell gas, **STOP !** Follow B) in the safety information on the previous page. If you don't smell gas, go to the next step.
- 6) Turn knob on gas control counterclockwise to "PILOT" ↶
- 7) Push in control knob all the way and hold in. Immediately push all the way on the piezo ignitor button and release. Continue pushing piezo ignitor for 30 seconds until the pilot lights. When

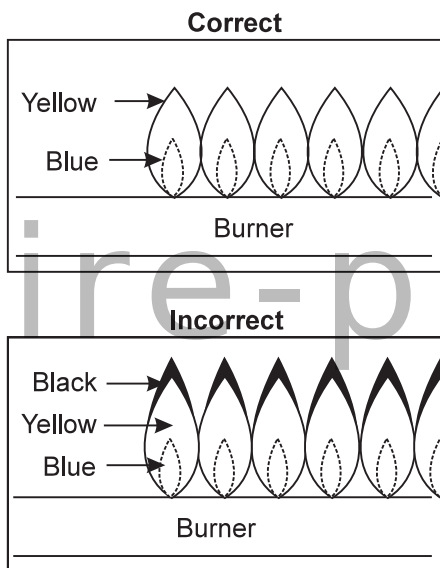


pilot is lit, continue to hold the control knob for one (1) minute and slowly release the knob, it will pop back up. Pilot should remain lit. If it goes out, repeat steps 4 through 7.

If knob does not pop up when released, stop and immediately call your service technician or gas supplier.

If the pilot will not stay lit after several tries, turn the gas control knob to "OFF" and call your service technician or gas supplier.

- 8) Turn gas control knob counterclockwise ↶ to "ON".
- 9) If applicable, turn on all electric power to the appliance.
- 10) Lift louver back into position.



For correct flame pattern, first remove the glass front. Use a 1/4" hex head screw driver and turn the cover sleeve to the proper opening. The flame should burn blue and yellow as diagram shows. Tighten the hex head screw and then put the glass front back on.

## TO TURN OFF GAS APPLIANCE

- 1) Turn off all electrical power to the appliance if service is to be performed.
- 2) Push in gas control knob slightly and turn clockwise ↷ to "OFF". Do not force it.

## MAINTENANCE AND CLEANING

**Warning:** Gas valve must be in the "OFF" position and burner, glass, logs, and pilot must be allowed to cool before cleaning.

On initial start-up, unit may emit odor for awhile until logs cure and paint, etc. burn in.

Keep control compartment and area around pan clean by vacuuming or brushing at least twice a year. A visible film will be deposited on the inside of the glass during combustion. Remove 12 nuts and carefully remove the glass door, clean and replace.

**Note:** Do not use an abrasive cleaner. The glass should only be cleaned with a gas fireplace glass cleaner.

**Note:** Remove jewelry before cleaning glass.

If logs become dirty, let them cool, then remove and gently scrub with a stiff brush. Periodically check burner and pilot flame to ensure they are in working order.

**Do not strike the glass or slam the door shut.**

**Do not operate the unit without the glass properly secured in place**

**The unit is supplied with tempered glass (optional Ne'oceram glass) that will withstand the highest heat that your unit will produce. Use of substitute glass could be dangerous and will void your Warranty.**

**Do not operate the unit with broken or cracked glass.**

**If the glass needs to be replaced, this should be done by a qualified service person.**

**Note:** If the glass is broken, carefully remove as outlined below and take it to an authorized Archgard dealer or the manufacturer.

## GLASS DOOR REMOVAL

- 1) Remove cover frame by lifting upwards and outwards.
- 2) Remove the 2 hex head bolts from the top of the glass door frame.
- 3) Carefully pull the frame off the bottom channel and lift of the unit.
- 4) To replace the glass frame, simply reverse steps 1-3 (do not over tighten the hex bolts).

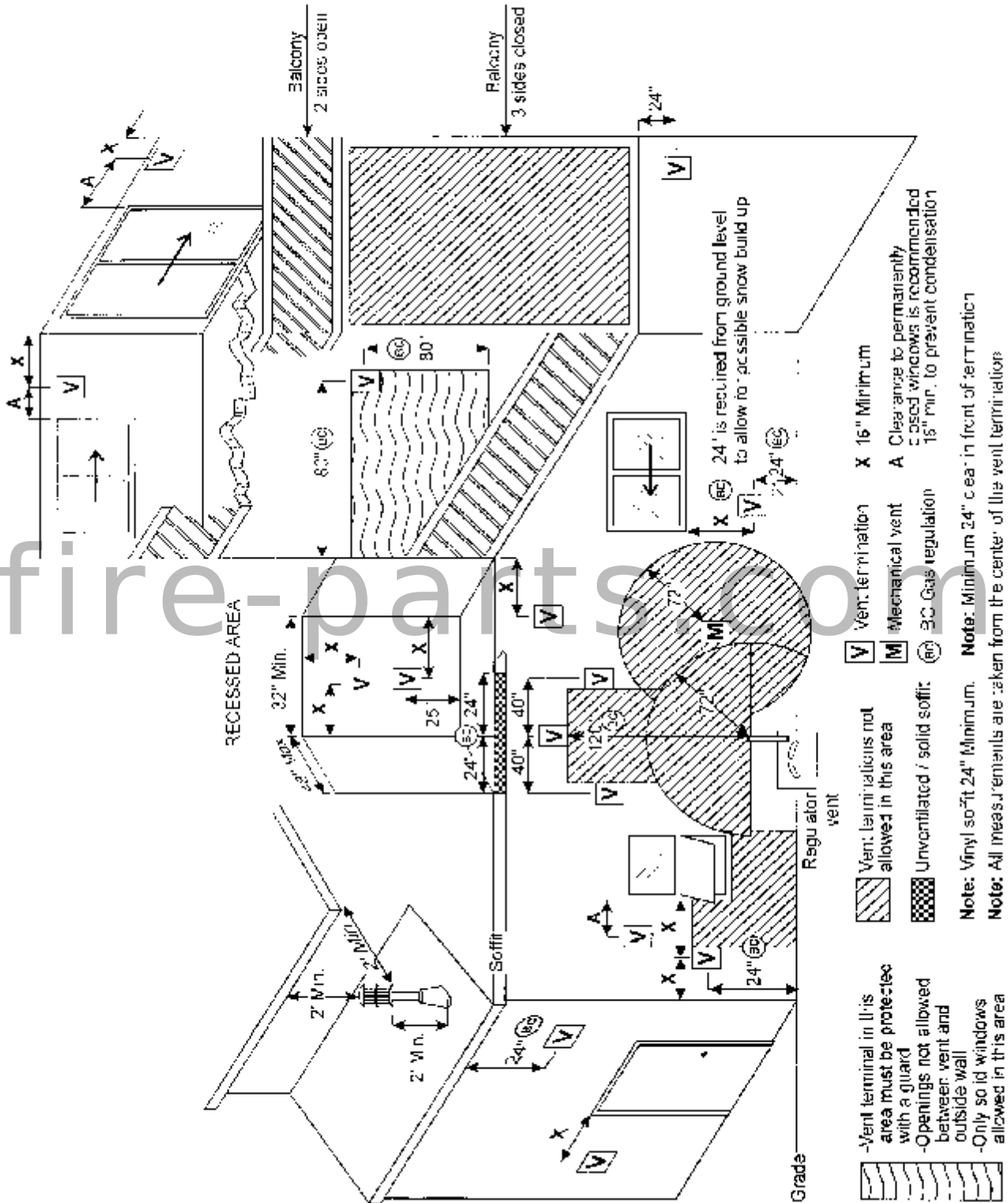
---

## REPLACEMENT PARTS

Parts can be ordered through your local dealer or distributor by giving the following information:

Gas Control Valve	RGV-38
Pilot Assembly (Generator Piezo Electrode)	PA-38
Piezo Ignitor (Push Button)	PI-38
Plate & Valve Assembly (NG) Plate & Valve Assembly (LPG) (Includes Pilot & Piezo)	PV-38D PV-38DP
Burner (Double)	BRD-38
Orifice Spud (NG) Orifice Spud (LPG)	OS-48NG OS-55LP
Log Set - 4 pieces (double)	LSDB-38
Straight Venting	SV-38
Top Venting	TV-38
Corner Venting	CV-38
Termination Kit	TK-38
Fan Kit (c/w speed control, reostat bracket and wiring)	FK-38N FK-38NT
Glass Door Assembly	GD-38
Protective Gage	C-38
Thermopile (pilot generator)	TP-38
High Wind Kit	HWK-38
Black Louvre Kit	BLLK-38
Brass Louvre Kit	BRLK-38
Black Square Door	BLSD-38
Face Assembly	F-38

# ALLOWED TERMINATION LOCATION



Note: Vinyl soffit 24" Minimum.  
 Note: All measurements are taken from the center of the vent termination

fire-parts.com

**MADE IN CANADA**