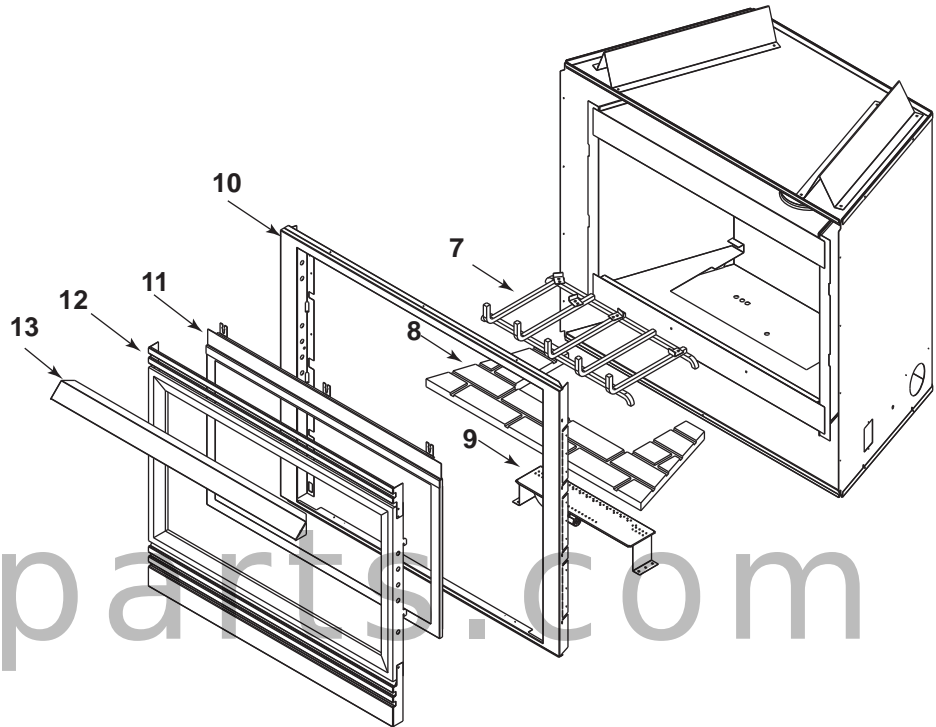
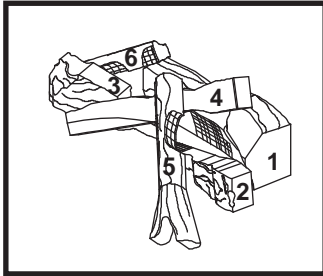


### Log Set Assembly



IMPORTANT: THIS IS DATED INFORMATION. Parts must be ordered from a dealer or distributor. **Hearth and Home Technologies does not sell directly to consumers.** Provide model number and serial number when requesting service parts from your dealer or distributor.



**Stocked at Depot**

ITEM	DESCRIPTION	COMMENTS	PART NUMBER	
	Log Assembly		LOGS-CAMP	Y
1	Log 1		SRV530-711	
2	Log 2		SRV446-702	
3	Log 3		SRV446-703	
4	Log 4		SRV446-704	
5	Log 5		SRV446-705	
6	Log 6		SRV446-706	
7	Grate Assembly		446-360A	
8	Base Refractory		SRV446-338	
9	Burner Assembly, NG		446-176A	Y
	Burner Assembly, LP		446-175A	Y
10	Surround, Front	No longer available	SRV414-130	
11	Glass Door Assembly		GLA-6XLS	Y
12	Decorative Front		DF-36H	
13	Hood		SRV60-143-BK	

No one builds a better fire

Beginning Manufacturing Date: May 1996  
Ending Manufacturing Date: June 1997

IMPORTANT: THIS IS DATED INFORMATION. Parts must be ordered from a dealer or distributor. **Hearth and Home Technologies does not sell directly to consumers.** Provide model number and serial number when requesting service parts from your dealer or distributor.



**Stocked at Depot**

ITEM	DESCRIPTION	COMMENTS	PART NUMBER	
	Burner Tube		477-301A	Y
	Blower Assembly		GFK-160A	
	High Limit Switch		092-531	Y
	Junction Box		100-250A	Y
	ON/OFF Rocker Switch		060-511	Y
	Orifice NG	#33A (Pre 4634)	414-800	Y
		#32A (Post 4634)	420-800	Y
	Orifice LP	#50A (Pre 2300)	446-801	Y
		#51A (Post 2300)	079-803	Y
	Piezo Ignitor		291-513	Y
	Pilot Assembly NG		446-510A	Y
	Pilot Assembly LP		446-511A	Y
	Thermocouple		446-511	Y
	Thermopile		2103-512	Y
	Pilot Tube		446-301	Y
	Remote		SMART-STAT-HNG	
	Touch Up Paint		TUPB-12	
	Valve NG		060-522	Y
	Valve LP		060-523	Y
	Conversion Kit NG	<b>No longer available</b>	NGK-6XLS	
	Conversion Kit LP	<b>No longer available</b>	LPK-6XLS	
	Pilot Orifice NG		446-505	Y
	Pilot Orifice LP		446-517	Y
	Regulator NG		060-518	Y
	Regulator LP		060-519	Y