

Installation Instructions

Model Number VB18 and VB24 Vented Gas Log

Models VB18 and VB24 Listed Certified for USA and Canada
Certified to: ANSI Z21.60-2003, ANSI Z21.60a-2003, ANSI Z21.60b-2004,
CSA 2.26-2004, CSA 2.26a-2003, CSA 2.26b-2004

INSTALLER: Leave this manual with the appliance.
CONSUMER: Retain this manual for future reference.



This appliance must be installed by a licensed plumber or gas fitter in the Commonwealth of Massachusetts and meet the requirements of 527 CMR 30 and 248 CMR.

Read this complete manual before beginning installation.
These instructions must be kept with the unit for future reference.

FOR YOUR SAFETY



WARNING: Improper installation, adjustment, alteration, service or maintenance can cause property damage, personal injury or loss of life. Refer to this manual. Installation and service must be performed by a qualified installer, service agency or the gas supplier.

Do not store or use gasoline or other flammable vapors and liquids in the vicinity of this or any other appliance.

What to Do If You Smell Gas

Do not try to light any appliance.

Extinguish any open flame.

Do not touch any electrical switch.

Do not use any phone in your building.

Immediately call your gas supplier from a neighbour's phone.

If you can not reach your gas supplier, call the fire department.



WARNING: Improper installation, adjustment, alteration, service, or maintenance can cause injury or property damage. Refer to this manual for correct installation and operational procedures. For assistance or additional information consult a qualified installer, service agency, or the gas supplier.

Installation and the provisions for combustion and ventilation air must conform with the National Gas and Propane Installation Code, ANSI Z223.1/NFPA 54 or the CSA B149.1, Natural Gas and Propane Installation Code.



WARNING: This appliance and its main gas valve must be disconnected from the gas supply piping system during any pressure testing of that system at test pressures equal to or less than 1/2 psi (3.5kPa). The appliance must be isolated from the gas piping system by closing its equipment shutoff valve during any pressure testing of the gas supply piping system at test pressures equal to or less than 1/2 psi (3.5kPa).



WARNING: These gas logs sets are for installation in a solid fuel burning fireplace with a working flue and constructed of noncombustible material.

NOTE: Solid fuels shall not be burned in the fireplace where the logset is installed.



WARNING: Failure to position the parts in accordance with these diagrams or failure to use only parts specifically approved with this appliance may result in property damage or personal injury.

NOTE: Installer, leave these instructions with the Consumer!



A Division of R-Co. Inc.
2340 Logan Avenue
Winnipeg, Manitoba, Canada R2R 2V3
Ph: (204) 632-1962

TABLE OF CONTENTS

SECTION	PAGE
Gas Specifications	3
Warnings Installations and Operations	4
Operations and Maintenance Instructions	5
Installation Requirements for the Commonwealth of Massachusetts	5
Installing	6
Installing Into Existing Fireplace	6
Venting	7
Installing Burner	8
Installing Gas Line	8
Installing Logs	10 - 17
Lighting	18
Cleaning And Servicing	19
Replacement Parts List	20
Warranty	21

IMPORTANT INFORMATION

BEFORE INSTALLING YOUR GAS LOG SET

If the wood burning fireplace has the telltale sign of soot (blackened fascia) or smoked up when used as a wood burning fireplace, putting a gas log set in it without rectifying the sooting issue will not solve this. There are reasons why fireplaces soot, the damper is not open far enough, too small of flue, too large of fireplace opening, obstruction in chimney, creosote buildup, bird's nest, negative room pressures created by insufficient outside air, exhaust fans etc. and or log sets that are installed too close to the opening thus allowing byproducts to spill into the room, chimney too cold, poor fireplace design. Problems with the fireplace should be rectified before operating gas log set.

Minimum Firebox Sizing Requirements:

Burner and Log Set	Front Minimum Width	Minimum Rear Width	Depth	Height
18" Burner x 18" Log Set	25"	18"	15"	18"
18" Burner x 24" Log Set	29"	21"	15"	18"
24" Burner x 24" Log Set	34"	24"	16"	18"
24" Burner x 30" Log Set	36"	26"	17"	18"

GAS SPECIFICATIONS

VENTED GAS LOG SETS *(Burner and Log Set are sold separately)*

Burner Model Press.	Log Size	Fuel Type	BTU Input	Manifold Pressure	Orifice Size	Primary Air Opening	Min/Max Inlet
VGB18N/VSB18N	18"-24"	Natural Gas	30,000 - 48,500	1.6" - 3.5"	#29	Non	5.5/10"
VGB18LP/VSB18LP	18"-24"	Liquid Propane	38,000 - 47,000	6.3" - 10"	#47	.25"	11/13"
VGB24N/VSB24N	24"-30"	Natural Gas	46,000 - 73,000	1.6" - 3.5"	#20	Non	5.5/10"
VGB24LP/VSB24LP	24"-30"	Liquid Propane	68,000 - 86,000	6.3" - 10"	#37	.25"	11/13"

Log Set required for each burner (above)

VLOG18	Split Oak 18"
VLOG24	Reversible Charred Split or Barked Oak 24"
VLOG30	Reversible Charred Split or Barked Oak 30"

Accessories

ZIRC	Remote Control – On/Off
RMCBN	Remote Control for Natural Gas – On/Off, Hi/Lo Flame Adjustment
RMCBP	Remote Control for Propane – On/Off, Hi/Lo Flame Adjustment
VLBIT4	Log Bit - Four Piece
VLBIT6	Log Bit - Six Piece

NOTE: Flame appearance and flame height will vary with specific installations.

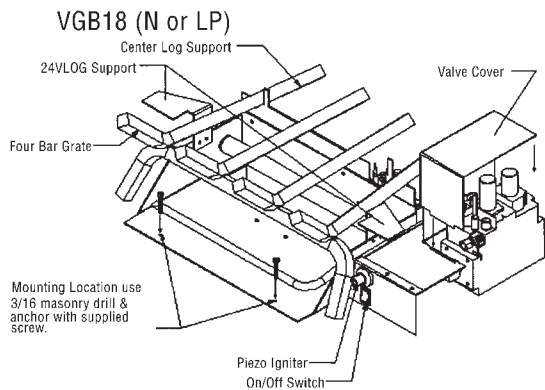


Figure #1

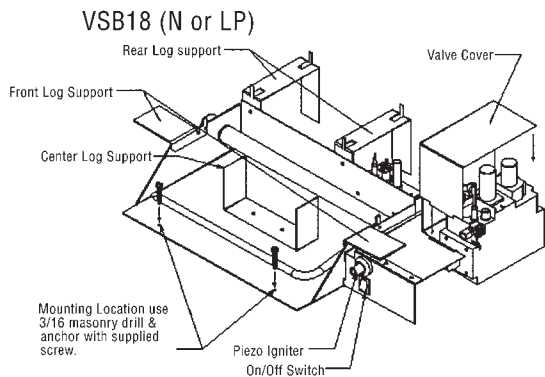


Figure #2

VGB24 (N or LP)

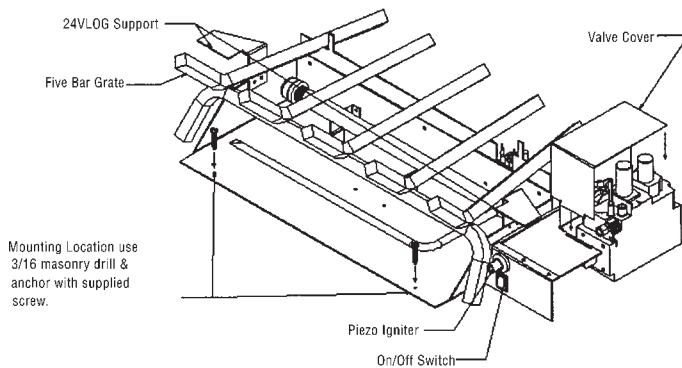


Figure #3

VSB24 (N or LP)

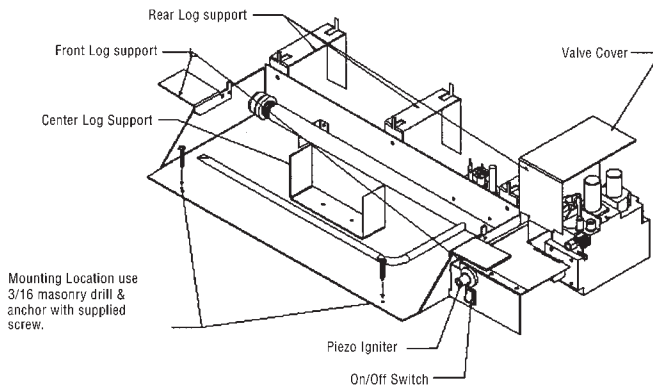


Figure #4

SAFETY INFORMATION WARNINGS

WARNINGS

Important: Read this owner's manual carefully and completely before trying to assemble, operate, or service this logset. Improper use of this logset can cause serious injury or death from burns, fire, explosion, electrical shock, and carbon monoxide poisoning.

Early signs of carbon monoxide poisoning resemble the flu, with headaches, dizziness, and / or nausea. If you have these signs, the heater may not be working properly. **Get fresh air at once!** Turn off gas appliance. Have appliance serviced. Some people (such as pregnant women, persons with heart or lung disease, persons with anemia and those at high altitudes) are more affected by carbon monoxide than others. Make certain you read and understand all warnings.

1. Use correct gas type for your appliance. Do not convert from one gas type to another.
2. If this appliance is for use with Propane gas, do not place propane supply tank(s) inside any structure. Locate propane supply tank(s) outdoors.
3. If you smell gas:
 - Shut off gas supply.
 - Do not try to light any appliance.
 - Do not touch any electrical switch; do not use any phone in your building.
 - Immediately call your gas supplier from a neighbor's phone. Follow the gas supplier's instructions.
 - If you cannot reach your gas supplier, call the fire department.
4. Do not use the appliance for burning trash or cooking. Never place matches, paper, garbage, or any other material on top of logs or logs into flame.
5. Always operate appliance with front fireplace screens closed and glass doors open, unless other provisions for combustion air are provided, the screen shall have opening (s) for induction of combustion air.
6. A Damper Clamp must be installed to provide the minimum permanent vent opening to exhaust combustion by-products, refer to charts in manual to determine opening.
7. Make sure any safety screen or guard removed for servicing is in place before running appliance.
8. Never run appliance in a small, closed room. Open the door into next room to help ventilate.
9. If appliance shuts off, do not relight until you provide fresh outside air. If appliance keeps shutting off, have it serviced.
10. Do not run appliance:
 - where flammable liquids or vapors are used or stored.
 - under dusty conditions.
11. Surface of appliance becomes very hot when operating. Keep children and adults away from hot surface. Appliance will remain hot for some time after shutdown. Allow surface to cool before touching.
12. Do not use this appliance if any part has been submerged under water. Immediately call a qualified technician to inspect the appliance and to replace any part of the control system and gas control which has been under water.
13. The installation must conform with local codes or, in the absence of local codes, with the National Fuel Gas Code, ANSI Z223.1.
14. Never install the appliance:
 - in a bedroom, bathroom, mobile home, or recreational vehicle.
 - where curtains, furniture, clothing, or other flammable objects are less than forty-two inches (42") from the front of the appliance.
 - in high traffic areas.
 - in windy or drafty areas.
15. Disconnect the appliance and its individual shut off valve from the gas supply piping system during any pressure testing of that system at test pressures in excess of 1/2 psig, (3.5KPa).

DANGER

CARBON MONOXIDE POISONING MAY LEAD TO DEATH!

NOTE: It is recommended that a Carbon Monoxide (CO) Detector be installed in or near bedrooms and on all levels of your home. Place a detector about 15 feet (4.5 meters) outside the room that houses your gas appliance.

SAFETY INFORMATION WARNINGS Cont.

16. Isolate the appliance from the gas supply piping system by closing its individual manual shut off valve during any pressure testing of the the gas supply piping system at test pressure equal or less than 1/2 psig.
17. Do not use any type of after-market blower that fits inside the fireplace. Drafts created by these type of blowers may cause sooting.
18. Turn off appliance and let cool before servicing. Only a qualified service person should install, service and repair appliance.
19. Inspect the appliance before use and at least annually by a professional service person. Frequent cleaning may be required due to excessive lint from carpeting, bedding material, etc. It is important that control compartment, burner and circulating air passage of the appliance be kept open.
20. When operated for the first time, there will be some smell from the appliance. This will diminish and disappear after a few hours of operation.
21. Installation and the provisions for combustion and ventilation air must conform with the National Fuel Gas Code, ANSI Z223.1/NFPA 54, or the CSA B149.1, Natural Gas and Propane Installation.
22. Must be installed by a licensed gasfitter in the Commonwealth of Massachusetts. Complies to code 527CMR.

fire-parts.com

*Available from:

American National Standards Institute, Inc.
1430 Broadway
New York, NY 10018

National Fire Protection Association, Inc.
Batterymarch Park
Quincy, MA 02260

WARNING

Glass doors must be open when burner is lighted, as this can affect combustion and overheating of the main valve control.

INSTALLING

INSTALLATION OF BURNER INTO EXISTING FIREPLACE

NOTE: Installed only in a solid fuel burning fireplace with a working flue and constructed of non-combustible material. See chart on following page for minimum permanent flue opening based on KBTU/HR and chimney height. The damper must be secured so the minimum flue opening will be maintained at all times.

Warning: Before installing in a solid fuel burning fireplace, the chimney flue and firebox must be cleaned of soot, creosote, ashes, and loose paint by a qualified chimney cleaner. Creosote may ignite when heated to a high temperature. Have chimney flue inspected for damage. If flue system is damaged, do not install the unit.

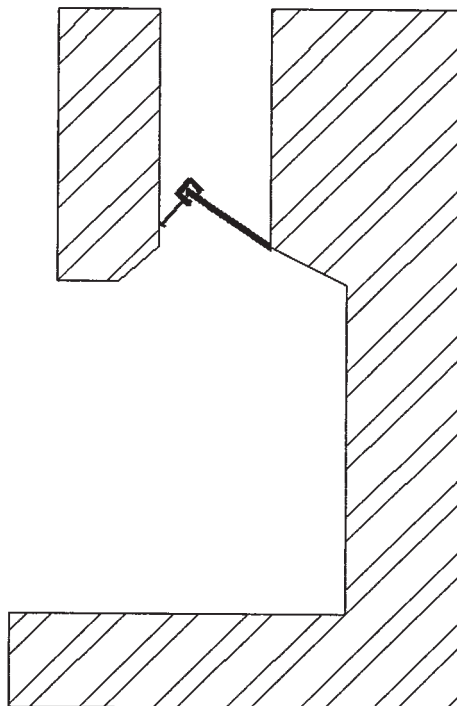
Area of Various Standard Round Flues	
Diameter (inside)	Area (square inches)
5"	20 square inches
6"	29 square inches
7"	39 square inches
8"	51 square inches

Warning: Seal any fresh air vents or ash cleanout doors located on the floor or wall of fireplace. If this is not done, drafting may result causing pilot outage or sooting. Use a heat-resistant sealant. Do not seal chimney flue damper.

INSTALLING - DAMPER STOP

A damper stop is provided with vented log set. The damper stop must be installed as shown in the diagram, damper stop is for minimum flue opening.

If the clamp does not fit or provide the minimum permanent flue opening as per charts, have the damper cut or drilled to provide minimum permanent opening or install a permanent stop.



Warning: Installation of vented gas logs in the Commonwealth of Massachusetts requires the vent damper be permanently removed or welded in the full open position. Vented gas logs can not be installed in a bedroom or bathroom in the Commonwealth of Massachusetts

**(A) - For Factory Built Fireplaces Free Opening Area of Chimney
Damper For Venting Combustion Products From Decorative Appliances
For Installation In Solid Fuel Burning Fireplaces**

	Appliance Input Rate (kBTU/hr)						
	40	50	60	70	80	90	
Chimney Height* (ft)	Minimum Opening** (sq. in.)						Max. input***
10	22.1	28.3	35.3	44.2	—	—	77.6
15	17.3	21.2	26.4	32.2	28.5	45.4	98.2
20	14.5	18.1	22.1	26.4	31.2	37.4	114.2
25	12.6	15.9	18.1	22.9	27.3	31.2	121.0
30	11.3	14.5	17.3	20.4	24.6	28.3	130.1
35	10.8	13.2	15.9	18.9	22.1	25.5	141.2
40	10.2	12.6	15.2	18.1	20.4	23.8	158.5

* Height is from hearth to top of chimney and the minimum height is 10 feet.

** Chart shows minimum opening (sq. in.) for the given height and input rate.

*** Column marked "Max. Input" corresponds to the maximum allowable input rate (kBTU/hr) for the given height.

**(B) - For Masonry Built Fireplaces Free Opening Area of Chimney
Damper For Venting Combustion Products From Decorative Appliances
For Installation In Solid Fuel Burning Fireplaces**

	Appliance Input Rate (kBTU/hr)						
	40	50	60	70	80	90	
Chimney Height* (ft)	Minimum Opening** (sq. in.)						
6	33.8	41.7	49.2	56.6	64.0	71.4	
8	31.2	38.7	45.5	52.4	59.7	66.9	
10	28.7	35.2	41.7	48.5	54.3	60.2	
15	26.1	32.0	37.7	43.2	48.8	54.1	
20	23.7	28.8	34.4	39.8	44.4	49.1	
30	21.6	26.5	31.2	35.9	40.3	44.5	

* Height is from hearth to top of chimney and the minimum height is 6 feet.

** Chart shows minimum opening (sq. in.) for the given height and input rate.

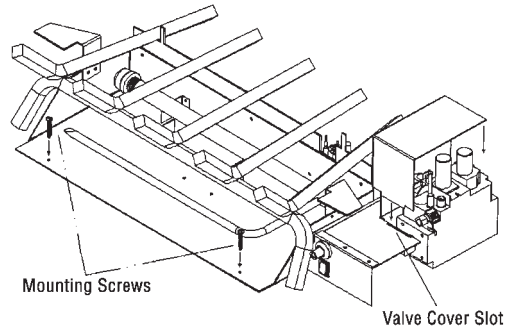


Warning: Check the fireplace for proper venting, use a match or smoke pen, if any spillage is noted then the Damper shall be opened until no spillage occurs. If a proper draft can not be obtained, contact your dealer for assistance.

INSTALLING – BURNER

INSTALLING BURNER TO FIREBOX:

1. Position Grate/Burner assembly into solid fuel firebox with the front burner located directly under the opening for the best flame appearance. (DO NOT have any of the burner assembly outside the firebox.)
2. Drill two 3/16" diameter holes as indicated in the diagram, approximately 1 1/2" deep.
3. Anchor the burner assembly to the floor using the 2 screws provided.



INSTALLING – Gas Line

INSTALLING GAS LINE

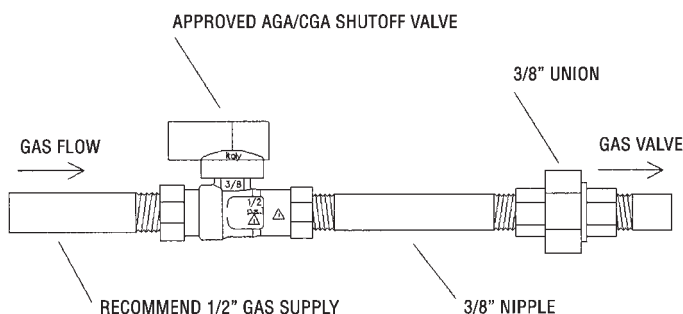
Early signs of carbon monoxide poisoning resemble the flu, with headaches, dizziness, and / or nausea. If you have these signs, the heater may not be working properly. **Get fresh air at once!** Turn off gas appliance. Have appliance serviced. Some people (such as pregnant women, persons with heart or lung disease, persons with anemia and those at high altitudes) are more affected by carbon monoxide than others. Make certain you read and understand all warnings. Place Burner Base / Grate Assembly in center of firebox and connect flexible gas line to incoming black iron pipe gas line.

Do not connect appliance before pressure testing gas piping. Damage to gas valve may result and an unsafe condition may be caused.

Prepare incoming black iron gas line with **Teflon tape** or **pipe joint compound** (check with local codes about the use of Teflon tape). Compounds used on threaded joints of gas piping shall be resistant to the action of Liquefied Petroleum (LP or Propane) and should be applied lightly to ensure excess sealant does not enter the gas line.

Complete your gas installation by connecting incoming gas line to regulator. Secure all joints tightly with wrench but **do not over-tighten**. If a flexible gas line is used, take care not to kink connector. The burner pressure is controlled by the regulator. Check pressure at the

cont'd on page 9



Warning: CARBON MONOXIDE POISONING MAY LEAD TO DEATH!

Warning: Any changes to this heater or its controls can be dangerous.

Warning: Installation and repair should be done by a qualified service person well trained in the installation of such appliances. You will also need a building permit from your local Building Commissioner before installing this appliance, otherwise your insurance company may not cover this appliance.

For the state of Massachusetts a **T-handle gas shut-off valve** must be used on a gas appliance. This T-handle gas shut-off valve must be listed and approved by the state of Massachusetts. This is in reference to the state of Massachusetts state code CMR238.

INSTALLING – Gas Line Cont.



Warning: A qualified gas appliance installer must connect the fireplace to the gas supply. Consult all local codes.



Warning: Any safety screen or guard removed for servicing an appliance must be replaced prior to operating the heater.



Warning: Use new black pipe only. Internally tinned copper tubing can be used in some areas when permitted by local codes. Only use pipe of 1/2" or greater diameter to allow full gas volume to heater. Excessive pressure loss will occur if the pipe is too small.

A manual shutoff valve, union and plugged 1/8" NPT pressure tap pointer must be installed upstream of the heater.

A sediment trap must be installed upstream of the heater to prevent moisture and contaminants from passing through the pipe to the heater controls and burners. Failure to do so could prevent the heater from operating reliably.

pressure test point, which is located on the front of the gas control. Make sure that the pressure tap is completely closed after checking gas pressure. The pressure should be checked with the appliance burning and the control set on high.

IMPORTANT: Loosen the pipe adapter on the flex tube before installing to the system piping.

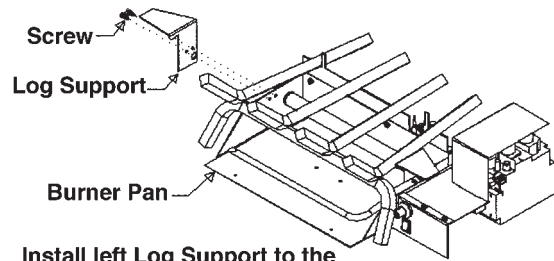
CHECK GAS TYPE: The gas supply must be the same as stated on the heater's rating plate. If the gas supply is different, Do Not Install the heater. Contact your dealer for the correct model.



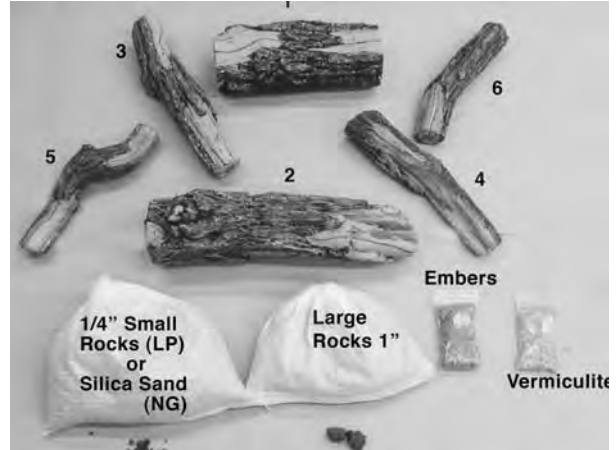
Warning: All gas piping and connections must be tested for leaks after installation is completed. To test, turn gas valve on, then apply a soap and water solution to all connections and joints. If bubbles appear, leak can be detected and corrected. **Never use an open flame for leak testing. Never operate any appliance if a leak is detected!**

LOG INSTALLATION - VLOG18/VGB18

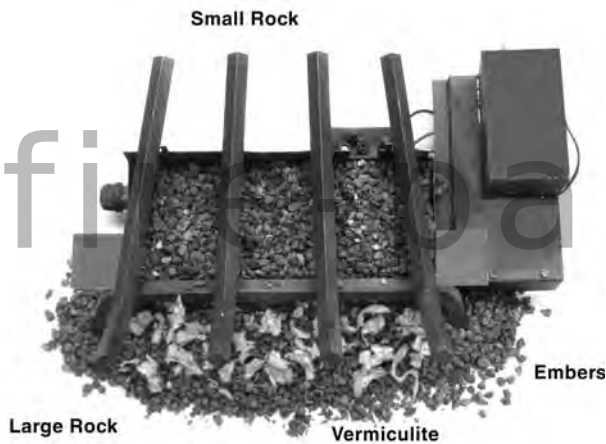
Step 1



Install left Log Support to the outer side of burner pan with two 8-18 x DT Screws.

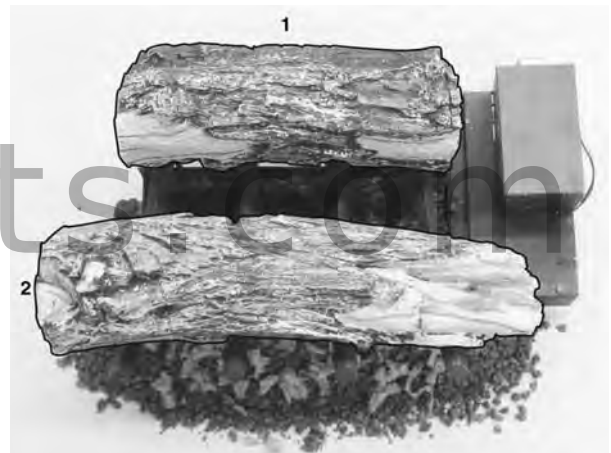


Step 2



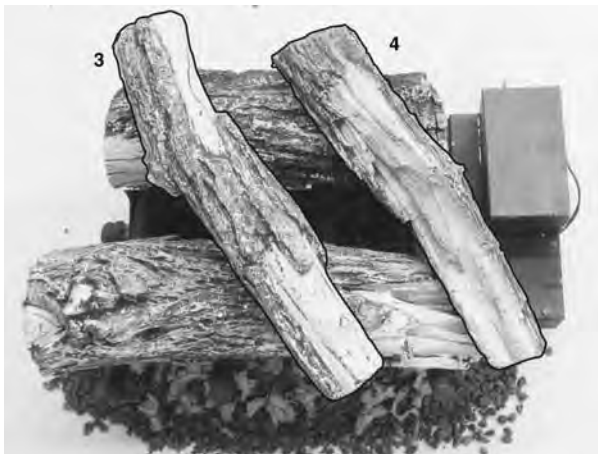
Place silica sand (NG only) or 1/4" small rock (LP only) inside and in front of burner pan. Place 1" large rock inside, in front, and around the sides of the pan. Place rock wool in front of the grate bar. Sprinkle vermiculite over top of lava rock and rock wool.

Step 3



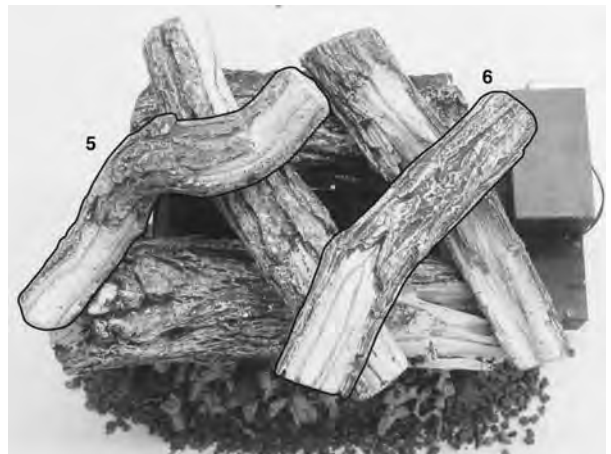
Place rear log #1 on the back of the grate & pull forward toward guide pins. Place front log #2 on the front of the grate & pull forward.

Step 4



Place crossover logs #3 and #4 on top as shown.

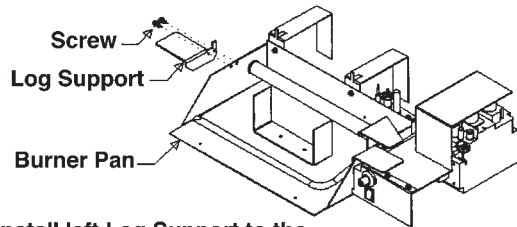
Step 5



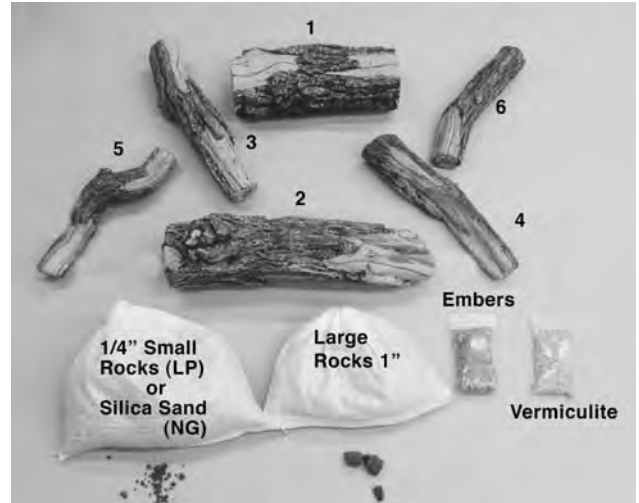
Place crossover logs #5 and #6 on tops as shown.

LOG INSTALLATION - VLOG18/VSB18

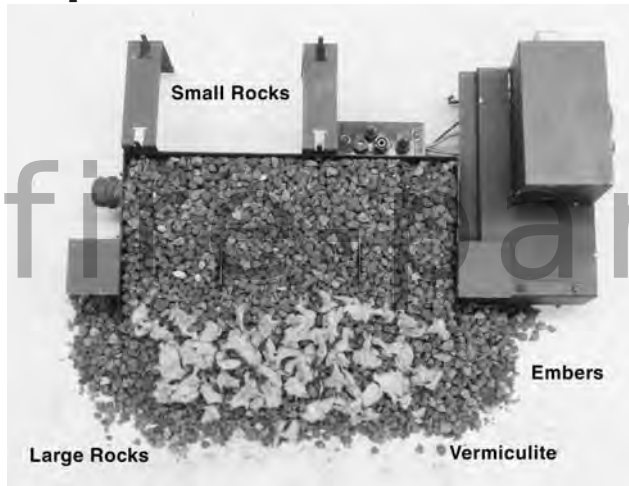
Step 1



Install left Log Support to the outer side of burner pan with two 8-18 x DT Screws.

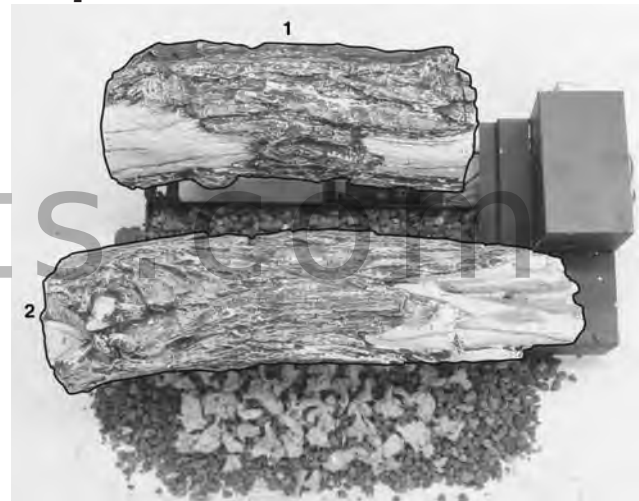


Step 2



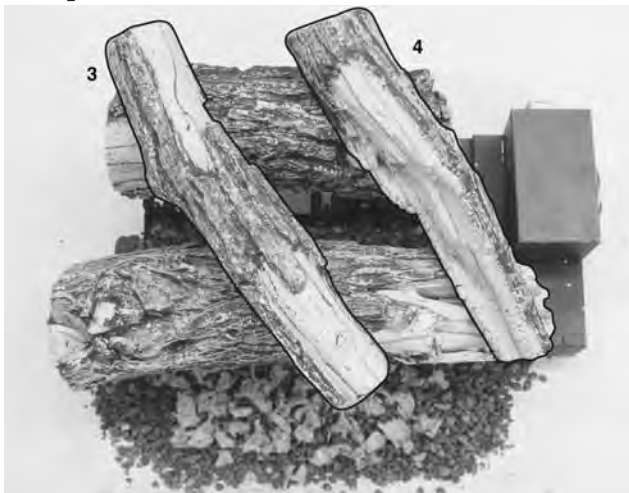
Place silica sand (NG only) or 1/4" small rock (LP only) inside and in front of burner pan. Place 1" large rock inside, in front, and around the sides of the pan. Place rock wool in front of center log support as shown. Sprinkle vermiculite over top of lava rock and rock wool.

Step 3



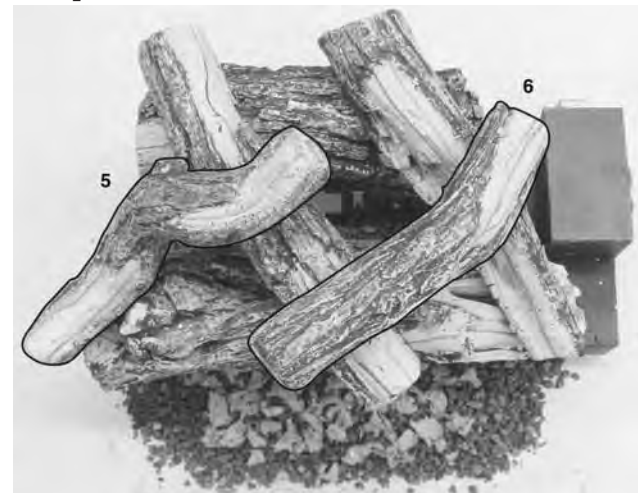
Place rear log #1 on the rear log supports. Place front log #2 over top front and center log support.

Step 4



Place crossover logs #3 and #4 on top as shown.

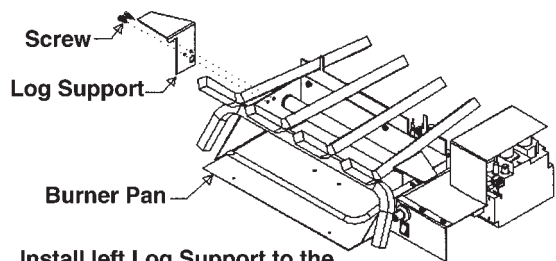
Step 5



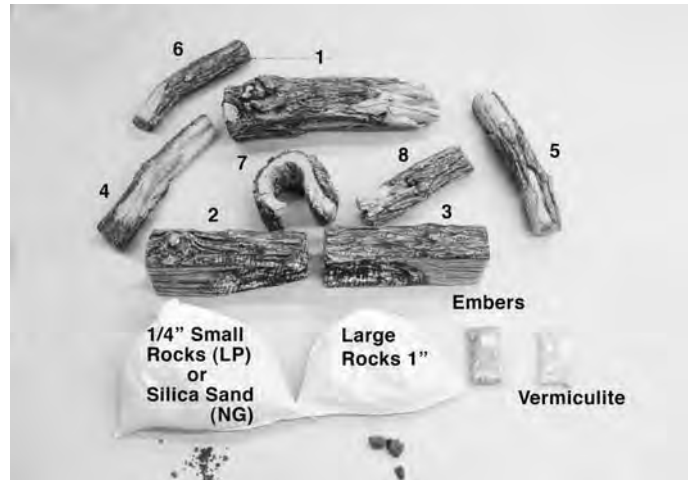
Place crossover logs #5 and #6 on tops as shown.

LOG INSTALLATION - VLOG24/VGB18

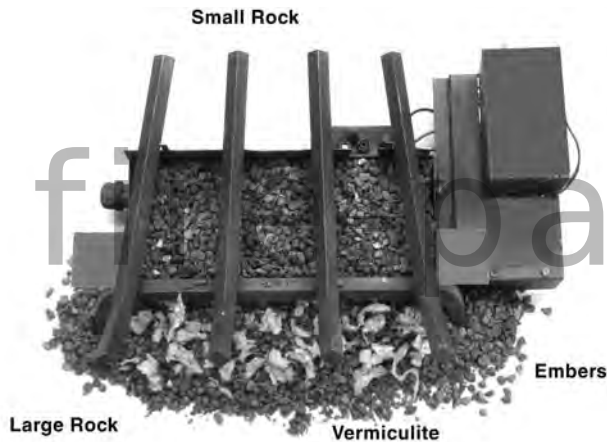
Step 1



Install left Log Support to the outer side of burner pan with two 8-18 x DT Screws.

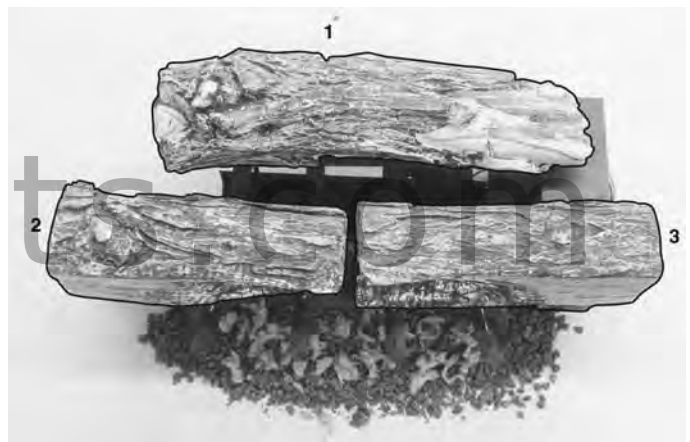


Step 2



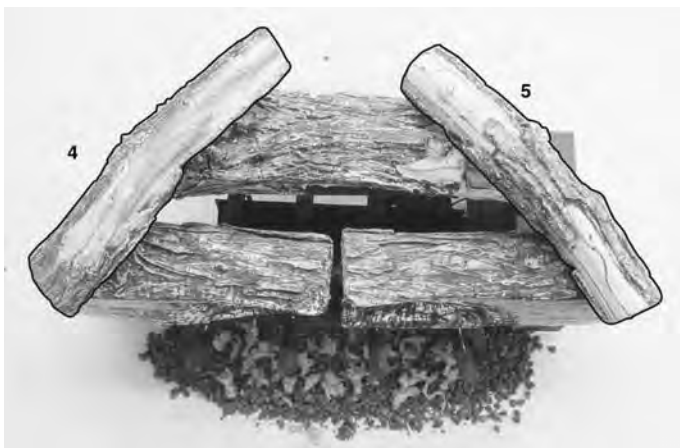
Place silica sand (NG only) or 1/4" small rock (LP only) inside and in front of burner pan. Place 1" large rock inside, in front, and around the sides of the pan. Place rock wool in front of the grate bar. Sprinkle vermiculite over top of lava rock and rock wool.

Step 3



Place rear log #1 on the back of the grate & pull forward toward guide pins. Place front logs #2 and #3 on the front of the grate & pull forward.

Step 4



Place crossover logs #4 and #5 on top as shown.

Step 5

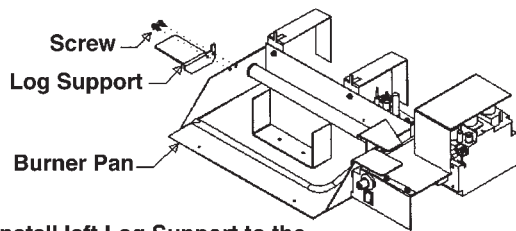


Place crossover logs #6, #7 and #8 on top as shown.

This log set has the option to be reversed from a split look to a bark look or vice versa by turning the front logs and crossover logs. **Rear log #1 is not reversible.**

LOG INSTALLATION - VLOG24/VS18

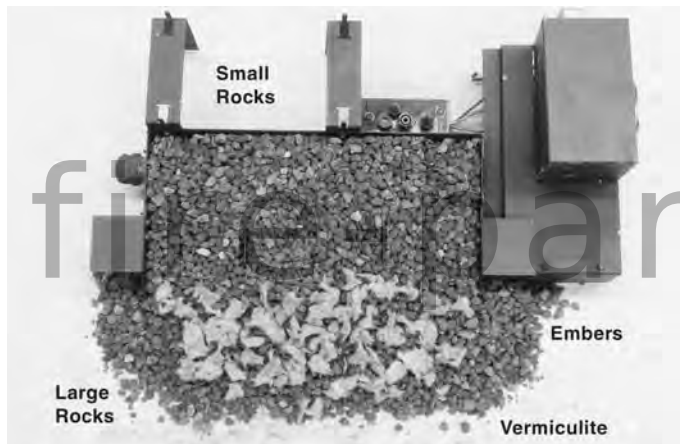
Step 1



Install left Log Support to the outer side of burner pan with two 8-18 x DT Screws.

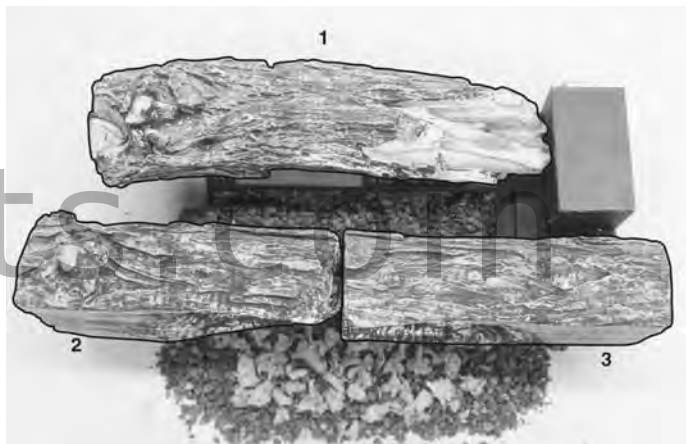


Step 2



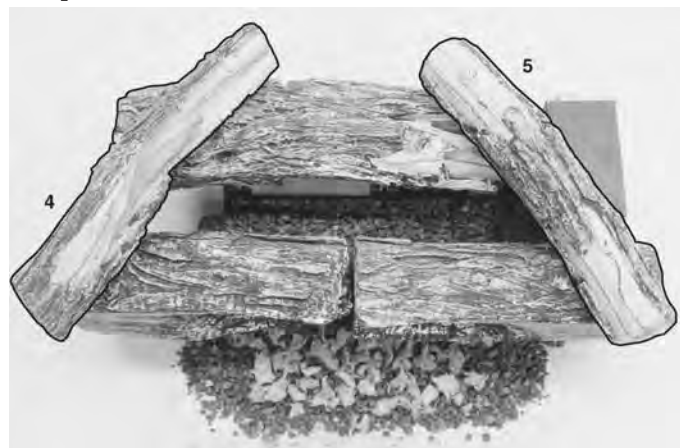
Place silica sand (NG only) or 1/4" small rock (LP only) inside and in front of burner pan. Place 1" large rock inside, in front, and around the sides of the pan. Place rock wool in front of center log support as shown. Sprinkle vermiculite over top of lava rock and rock wool.

Step 3



Place rear log #1 on the rear log support. Place front logs #2 and #3 on the front and center log support.

Step 4



Place crossover logs #4 and #5 on top as shown.

Step 5

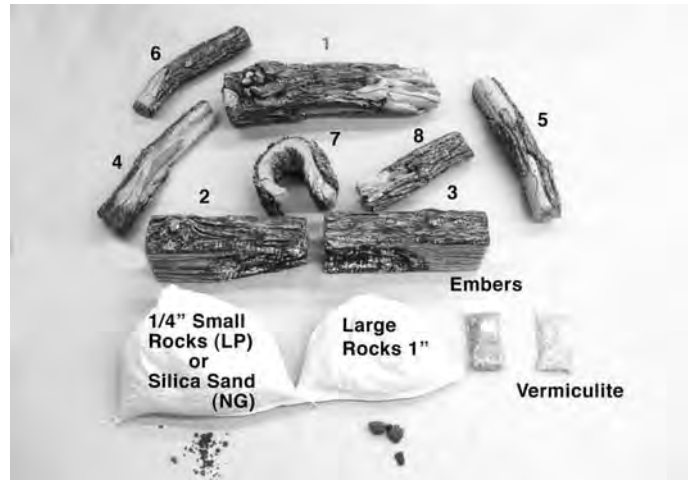
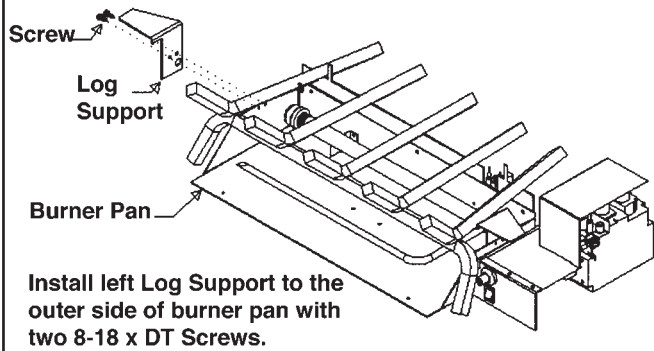


Place crossover logs #6, #7 and #8 on top as shown.

This log set has the option to be reversed from a split look to a bark look or vice versa by turning the front logs and crossover logs. **Rear log #1 is not reversible.**

LOG INSTALLATION - VLOG24/VGB24

Step 1

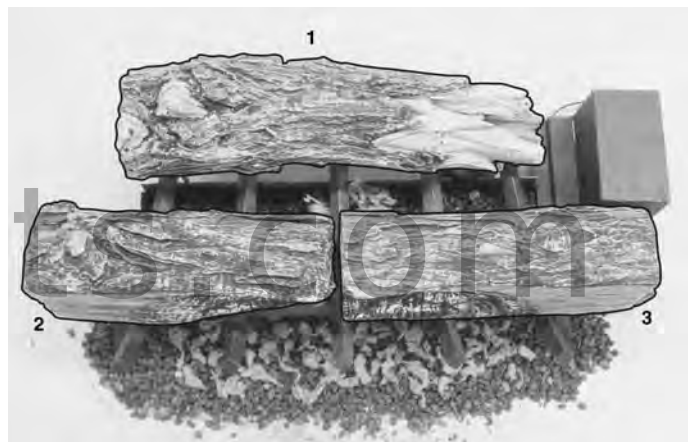


Step 2



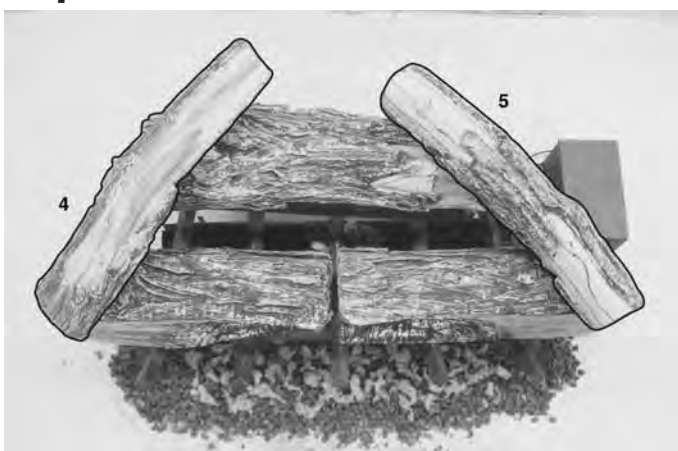
Place silica sand (NG only) or 1/4" small rock (LP only) inside and in front of burner pan. Place 1" large rock inside, in front, and around the sides of the pan. Place rock wool inside the middle of the pan and also in front of the grate bar. Sprinkle vermiculite over top of lava rock and rock wool.

Step 3



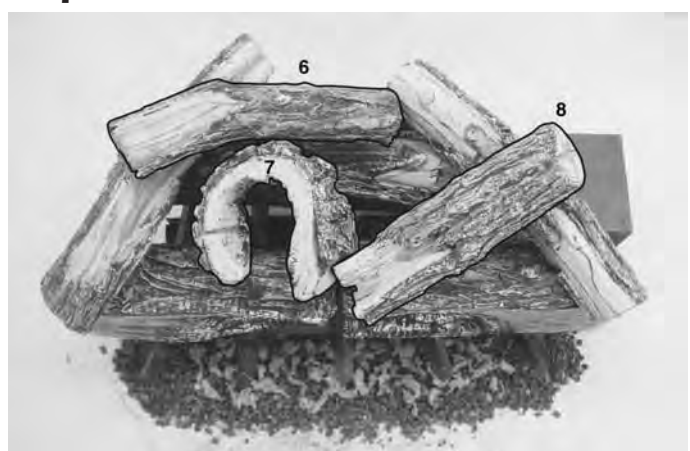
Place rear log #1 on the back of the grate & pull forward toward guide pins. Place front logs #2 and #3 on the front of the grate & pull forward.

Step 4



Place crossover logs #4 and #5 on top as shown.

Step 5

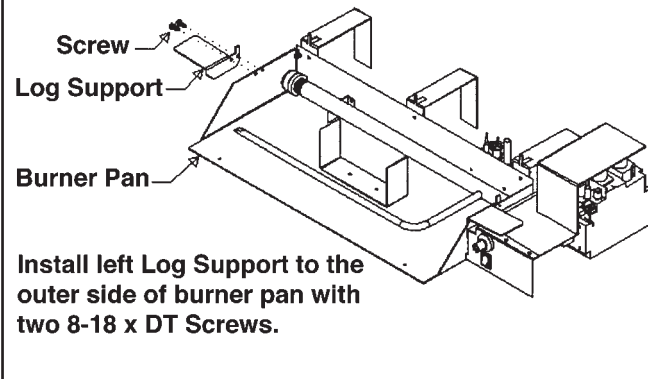


Place crossover logs #6, #7 and #8 on top as shown.

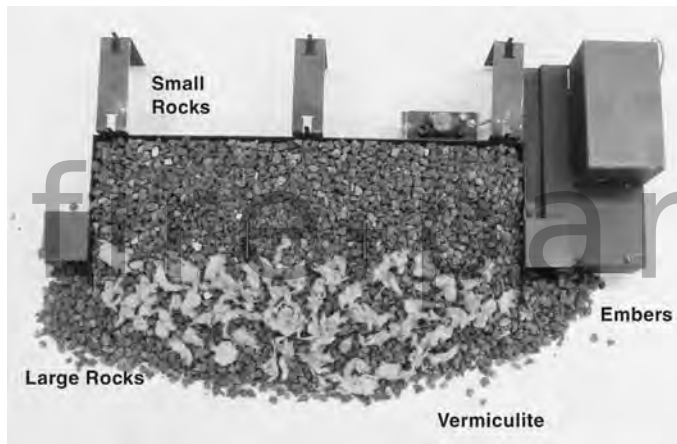
This log set has the option to be reversed from a split look to a bark look or vice versa by turning the front logs and crossover logs. **Rear log #1 is not reversible.**

LOG INSTALLATION - VLOG24/VSB24

Step 1

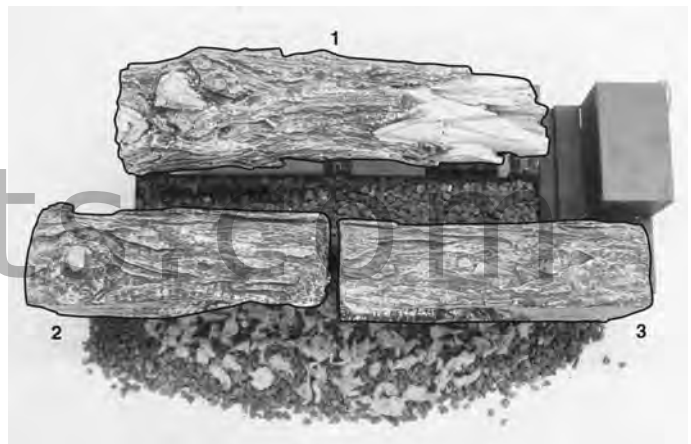


Step 2



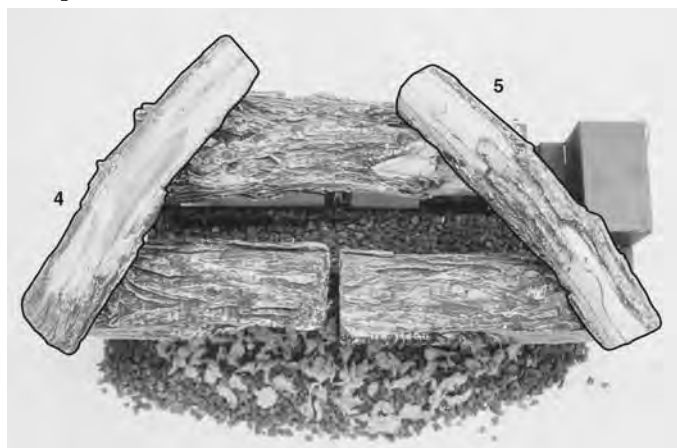
Place silica sand (NG only) or 1/4" small rock (LP only) inside and in front of burner pan. Place 1" large rock inside, in front, and around the sides of the pan. Place rock wool in front of center log support as shown. Sprinkle vermiculite over top of lava rock and rock wool.

Step 3



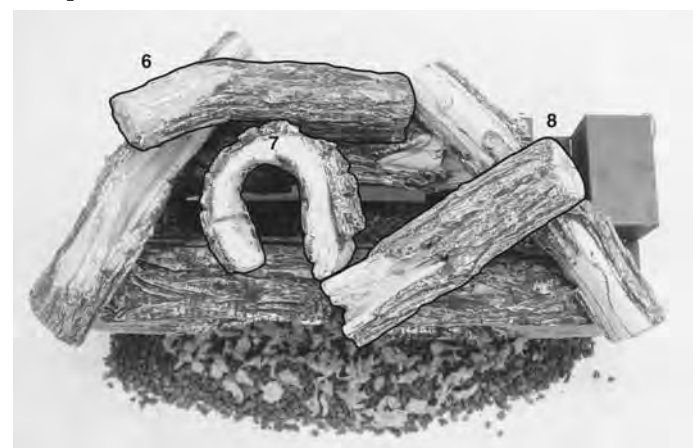
Place rear log #1 on rear log supports. Place front logs #2 and #3 on the front and center log supports as shown.

Step 4



Place crossover logs #4 and #5 on top as shown.

Step 5

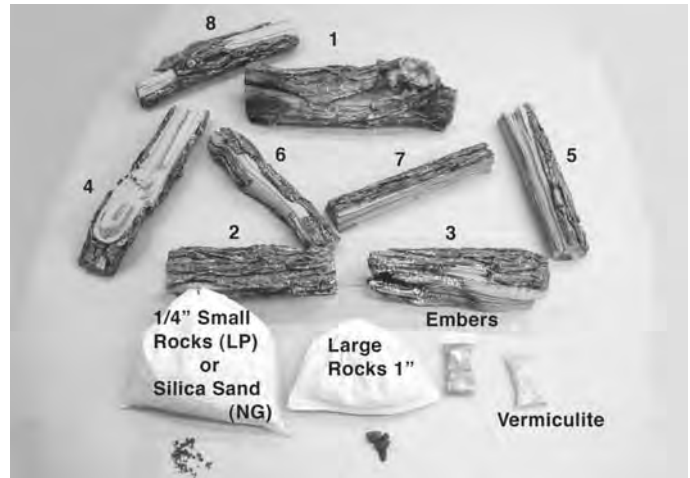
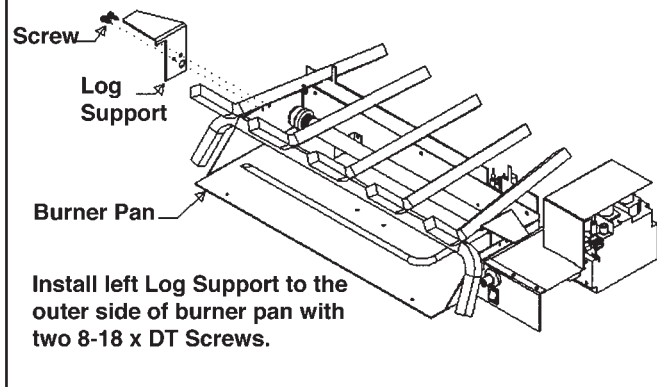


Place crossover logs #6, #7 and #8 on top as shown.

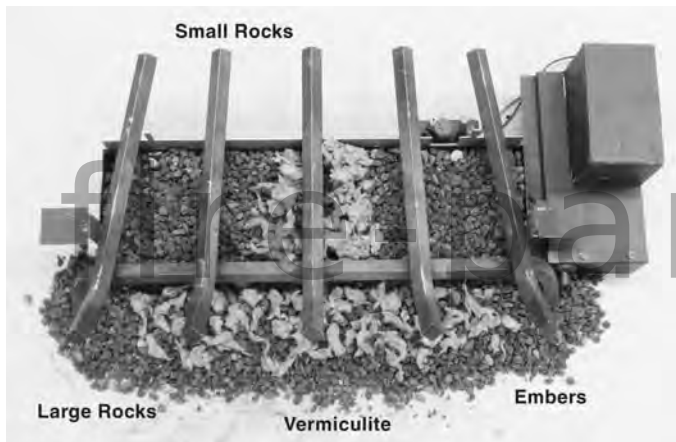
This log set has the option to be reversed from a split look to a bark look or vice versa by turning the front logs and crossover logs. **Rear log #1 is not reversible.**

LOG INSTALLATION - VLOG30/VGB24

Step 1

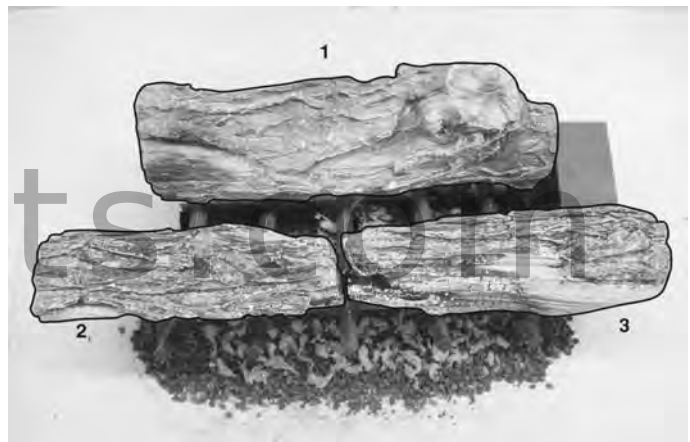


Step 2



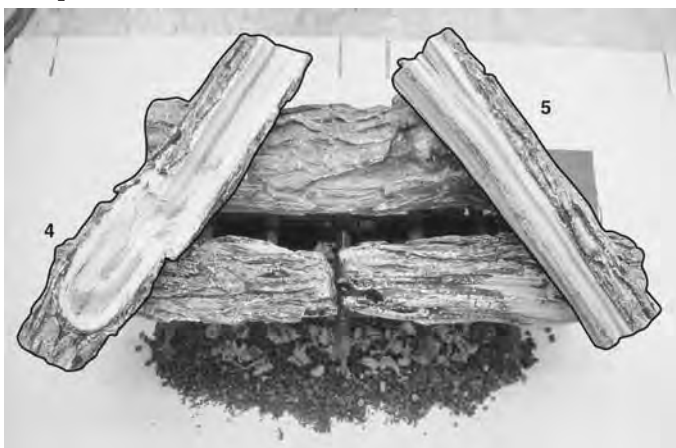
Place silica sand (NG only) or 1/4" small rock (LP only) inside and in front of burner pan. Place 1" large rock inside, in front, and around the sides of the pan. Place rock wool inside the middle of the pan and in front of the grate bar.. Sprinkle vermiculite over top of lava rock and rock wool.

Step 3



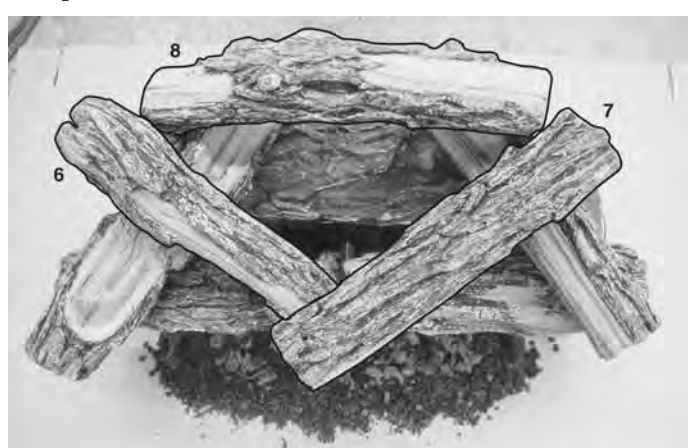
Place rear log #1 on back of grate and pull forward toward guide pins. Place front logs #2 and #3 on the front of the grate and pull forward.

Step 4



Place crossover logs #4 and #5 on top as shown.

Step 5

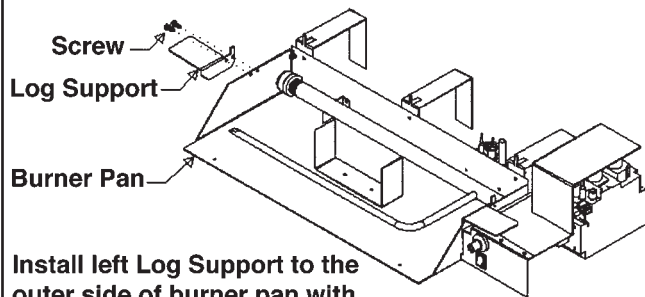


Place crossover logs #6, #7 and #8 on top as shown.

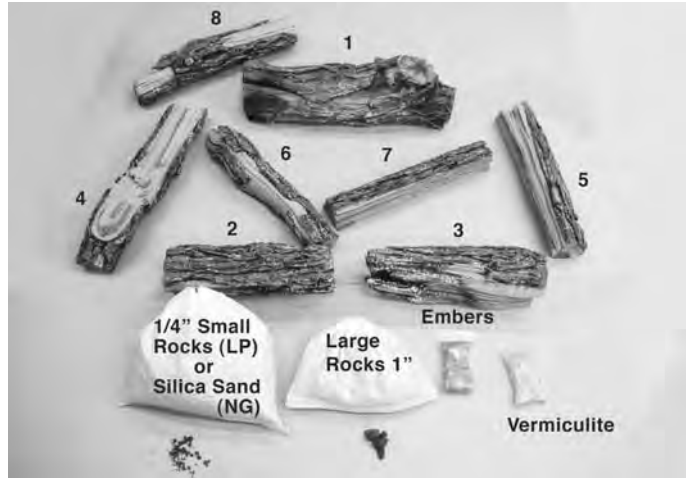
This log set has the option to be reversed from a split look to a bark look or vice versa by turning the front logs and crossover logs. **Rear log #1 is not reversible.**

LOG INSTALLATION - VLOG30/VSB24

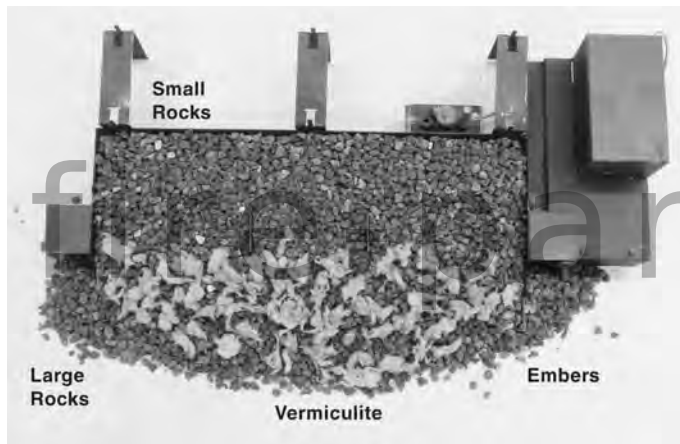
Step 1



Install left Log Support to the outer side of burner pan with two 8-18 x DT Screws.

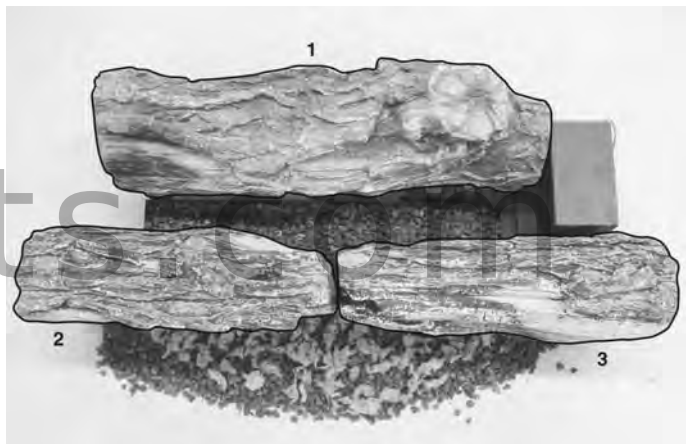


Step 2



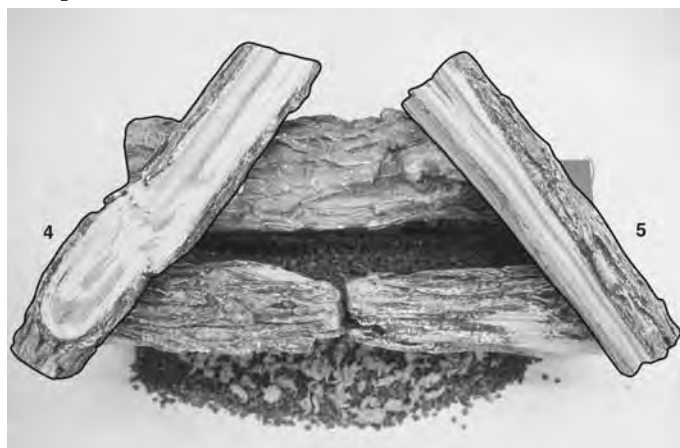
Place silica sand (NG only) or 1/4" small rock (LP only) inside and in front of burner pan. Place 1" large rock inside, in front, and around the sides of the pan. Place rock wool in front of center log support as shown. Sprinkle vermiculite over top of lava rock and rock wool.

Step 3



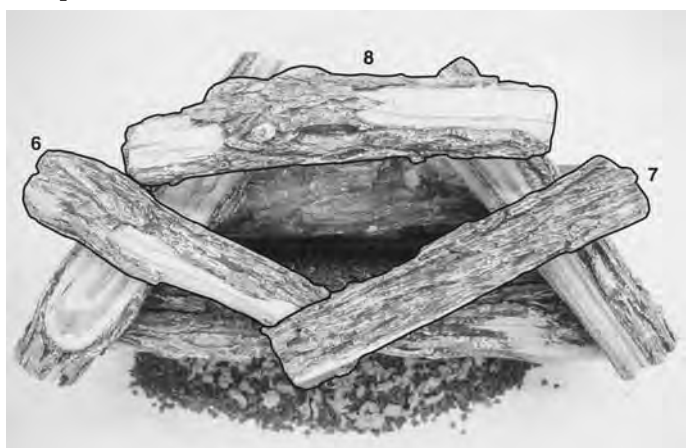
Place rear log #1 on rear log support. Place front logs #2 and #3 on front and center log support as shown.

Step 4



Place crossover logs #4 and #5 on top as shown.

Step 5



Place crossover logs #6, #7 and #8 on top as shown.

This log set has the option to be reversed from a split look to a bark look or vice versa by turning the front logs and crossover logs. **Rear log #1 is not reversible.**

LIGHTING

FOR YOUR SAFETY READ BEFORE LIGHTING

WARNING: If you do not follow these instructions exactly, a fire or explosion may result causing property damage, personal injury or loss of life.

BEFORE LIGHTING

- A** This appliance has a pilot which must be lighted by hand. When lighting the pilot, follow these instructions exactly.
- B** Smell all around the appliance area for gas. Be sure to smell next to the floor because some gas is heavier than air and will settle on the floor.
- WHAT TO DO IF YOU SMELL GAS**
- Do not try to light an appliance.
 - Do not touch any electrical switch; do not use any phone in your building.
 - Immediately call your gas supplier from a neighbour's phone. Follow the gas supplier's instructions.
- If you cannot reach your gas supplier, call the fire department.
- C** Use only your hand to push or turn the gas control knob. Never use tools. If the knob will not push in or turn by hand, don't try to repair it, call a qualified technician. Force or attempted repair may result in a fire or explosion.
- D** Do not use this appliance if any part has been under water. Immediately call a qualified service technician to inspect the appliance and to replace any part of the control system which has been under water.

LIGHTING INSTRUCTIONS

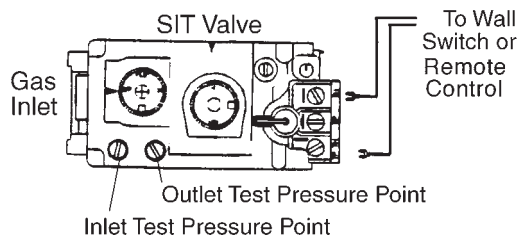
1. Stop! Read the safety information above on this label.
2. Set the thermostat to lowest setting.
3. Turn off all electrical power to the appliance.
4. Locate valve under the burner assembly.
5. If the control knob is not already in the off position, ie. the word "OFF" in the 9 o'clock position, then push in the gas control knob slightly and turn clockwise to "OFF".
NOTE: Knob cannot be turned from "PILOT" to "OFF" unless knob is pushed in slightly. Do not use force.
6. Wait five (5) minutes to clear out any gas. If you then smell gas. STOP! Follow "B" in the safety information above on this label. If you don't smell gas then go to the next step.
7. Now push in the control knob slightly and turn counter-clockwise to the "PILOT" position.
8. Push in the control knob all the way and hold it. With the other hand push in the red ignitor button until you hear a click. Now observe closely the pilot burner located on the rear center-left hand side of the main burner. If a flame has appeared then continue to depress the control knob for 20 seconds. If the flame did not appear then continue to depress the red ignitor button every 5 seconds until a flame is established. **NOTE:** If after 30 seconds a flame has not yet been established then turn the control knob back to the off position and repeat steps 5, 6 & 7.
9. Once the pilot has been established hold the control knob in the depressed position for approximately 25 seconds before releasing. If the flame goes out then repeat steps 7 and 8.
10. Now turn the control knob to the "ON" position. The burner will not light unless the wall switch thermostat or remote control is turned "ON" or in the case of the thermostat there is a call for heat.
11. Close the access door and turn all electric power back to the appliance.

TO TURN OFF THE APPLIANCE

1. Set the thermostat to lowest setting.
2. Turn off all electric power to the appliance if service is to be performed.
3. Open the control access door.
4. Push in the gas control knob slightly and turn clockwise to the "OFF" position. Do not force.
5. Replace control access panel.



Warning: If you do not follow these instructions exactly, a fire or explosion may result causing property damage, personal injury or loss of life.



NOTE: Thermostat not to be used on a vented gas log set.

FIGURE 12 – Millivolt Models

CLEANING AND SERVICING

CLEANING AND SERVICING OF BURNER AND PILOT

It is recommended to annually inspect and clean the unit to prevent malfunction and / or sooting. This operation should be performed by your dealer or a qualified technician.

Remove log set, handling carefully by holding gently at each end. (Refer to *Log Placement*, page 10.) Gloves are recommended to prevent skin irritation from ceramic.

Annual Cleaning / Inspection

- Do not use cleaning fluids to clean logs or any part of the heater.
- Use a soft bristle brush or a vacuum with brush attachment.
- Vacuum loose particles and dust from burner ports, valve and blower compartments.
- Vacuum any accumulation of lint from primary mixing hole. Propane Only.
- Inspect pilot for operation, accumulation of lint at the air inlet holes.
- Verify flame pattern and log placement for proper operation.
- Verify that all ports ignite and cross over smoothly from rear to front burner.



Warning: Turn off heater and allow to cool before cleaning. Only a qualified service technician should service and repair appliance.

fire-parts.com

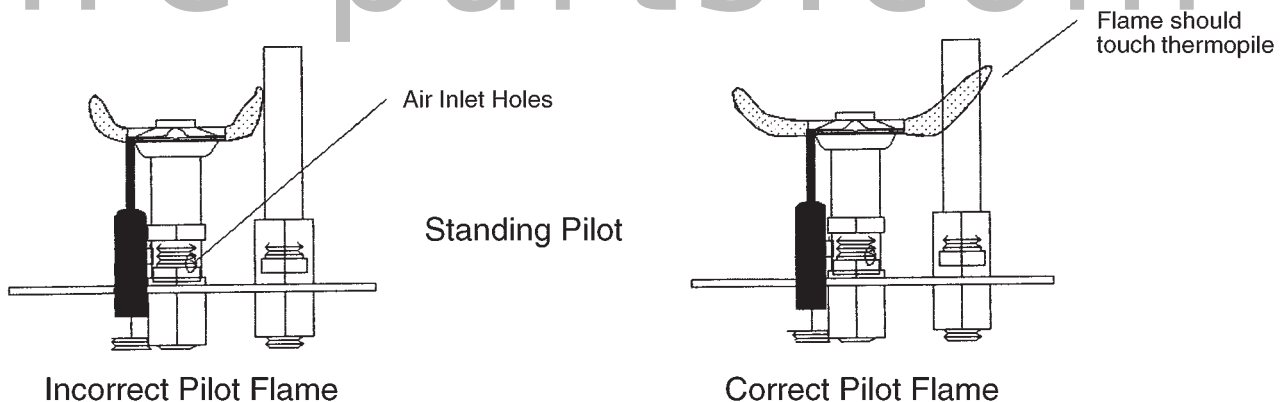
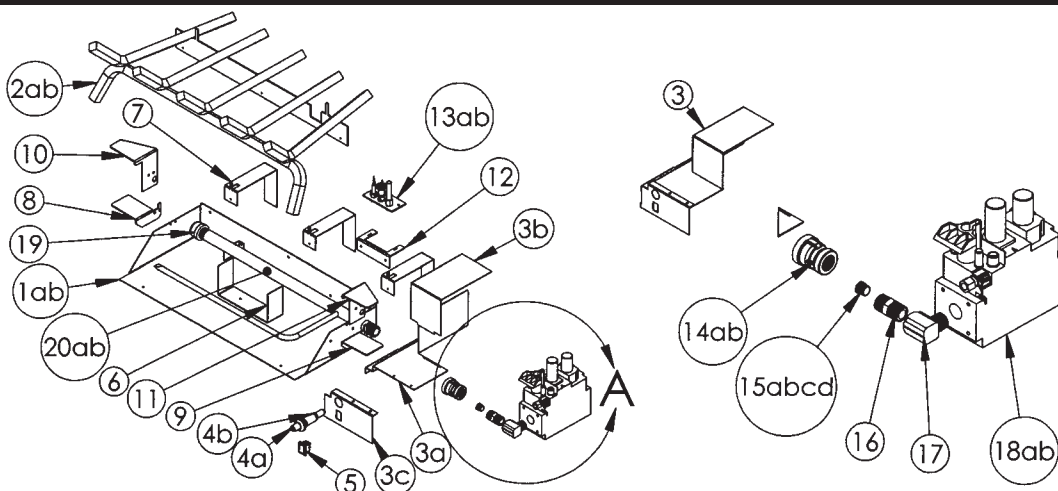


FIGURE 11 – Standing Pilot

CLEANING LOGS

Turn gas supply off. Allow logs to cool. Remove logs, handle with care. Use a very soft bristle brush build-up on logs. Do not use any liquid cleaners, this will embed logs with soot.

REPLACEMENT PARTS LIST



Item No.	Parts No.	Description	Fits
1a	18LGR-PAN	Burner Pan W/Burner	VSB18/VGB18
1b	24LGR-PAN	Burner Pan W/Burner	VSB24/VGB24
2a	18LGR-GRATE	Four Bar Grate Assembly	VGB18
2b	24LGR-GRATE	Five Bar Grate Assembly	VGB24
3	24LGR-CVR	Valve Cover Assembly (3PCS)	All
3a	24LGR-107	Valve Cover Body	All
3b	24LGR-108	Valve Cover Top	All
3c	24LGR-109	Valve Cover Front	All
4a	1000-214	Piezo Igniter	All
4b	1000-215	Pal Nut	All
5	1000-216	Rocker Switch	All
6	24LGR-114	Center Log Support	VSB18 / VSB24
7	24LGR-113	Back Log Support	VSB18(2pcs) VSB24(3pcs)
8	24LGR-106	Left Log Support	VSB18/VSB24
9	24LGR-106R	Right Log Support	VSB18/VSB24
10	24LGR-110	Left Log Support	VGB18/VGB24
11	24LGR-110R	Right Log Support	VGB18/VGB24
12	24LGR-111	Pilot Bracket	All Part of 18LGR-PAN/24LGR-PAN
13	1001-P069SI	TC – Electrode Cable & Sparker 915.069 O .075	
	1001-P165SI	TC – Orifice Pilot NG 977.165 #51 (Standard)	
	1001-P166SI	TC – Orifice Pilot NG 977.166 #62 (Larger)	
	1001-P167SI	TC – Orifice Pilot LP 977.167 #30 (Standard)	
	1001-P168SI	TC – Orifice Pilot LP 977.168 #35 (Larger)	
	1001-P280SI	TC Tubing With Fitting 1/8 2.182.280	
13a	1001-P746SI	TC - Pilot Burner (Assembled) NG 199.746	VSB18N/VGB18N- VSB24N/VGB24N
13b	1001-P745SI	TC - Pilot Burner (Assembled) LP 199.745	VSB18LP/VGB18LP VSB24LP/VGB24LP
14a	24LGR-P119DC-N	MP119-DC 3/8" x 1/2" Reducing Coupler	VSB18N/VGB18N VSB24N/VGB24N
14b	24LGR-P119DC-LP	MP119-DC 3/8" x 1/2" Reducing Coupler	VSB18LP/VGB18LP VSB24LP/VGB24LP
15a	24LGR-PG0972-29	Burner Orifice Natural Gas	VSB18N/VGB18N
15b	24LGR-PG0972-47	Burner Orifice Propane	VSB18LP/VGB18LP
15c	24LGR-PG0972-20	Burner Orifice Natural Gas	VSB24N/VGB24N
15d	24LGR-PG0972-37	Burner Orifice Propane	VSB24LP/VGB24LP
16	24LGR-P40330	Brass Nipple 3/8 Hex with Internal Thread	All
17	24LGR-P115C	Brass 115-C 3/8 x 90 Degree Street Elbow	All
18a	1001-P640SI	Valve 820.640 NG HI/LO	VSB18N/VGB18N VSB24N/VGB24N
18b	1001-P639SI	Valve 820.639 LP HI/LO	VSB18LP/VGB18LP VSB24LP/VGB24LP
19	24LGR-P108D	MP108-D Cap 1/2"	All
20a	24LGR-P113D14	MP113-D14 Nipple 1/2" x 14" – VB18	Part of 18LGR-PAN
20b	24LGR-P113D18	MP113-D14 Nipple 1/2" x 18" – VB24	Part of 24LGR-PAN

ADDITIONAL BURNER COMPONENTS

24LGR-PBC200	Damper Clamp
24LGR-CINS	Black Cinders 1/4" (Small) – For Propane Use Only
24LGR-CINL	Black Embers 1"
24LGR-EMBER	Ember Insulation
24LGR-SAND	Silica Sand – For Natural Gas Use Only
24LGR-VERM	Vermiculite

Accessories

Z1RC	Remote Control – ON/Off
RMCBN	Remote Control for Natural Gas – On/Off, Hi/Lo Flame Adjustment
RMCBP	Remote Control for Propane – On/Off, Hi/Lo Flame Adjustment



LIMITED WARRANTY - VENTED LOG SETS

This Limited Lifetime Warranty applies only while the unit remains at the site of the original installation and only if the unit is installed inside the continental United States, Alaska, Hawaii, and Canada. The warranty applies only if the unit is installed and operated in accordance with the printed instructions and in compliance with applicable installation and building codes and good trade practices.

BASIC ONE YEAR WARRANTY

During the first year after installation, we will provide a replacement for any component part of your unit found to be defective in materials or workmanship, including labour costs. Repair work requires prior approval by Kingsman, labour costs are based on a predetermined rate schedule and any repair work must be done through an authorized Kingsman dealer.

LIMITED WARRANTY

The burner is warranted for three years against materials or workmanship during the period the product is owned by the original owner. The part to be replaced must be returned to our distributor in exchange for the replacement part. Any labor, material, freight and/or handling charges associated with any repair or replacement pursuant to this Limited Warranty will not be covered by this warranty.

GENERAL TERMS

In lieu of providing a replacement part, we may, at our option, provide the distributor's component purchase price from us or a credit equal to the distributors component purchase price from us toward the purchase of any new unit which we distribute. If a credit is given in lieu of a replacement part, the rating plate from the unit being replaced must be submitted on a warranty claim, and the unit being replaced must be made available to our distributor for disposition.

In establishing the date of installation for any purpose, including determination of the starting date for the term of this Limited Warranty, reasonable proof of the original installation date must be presented*, otherwise the effective date will be based upon the date of manufacture plus thirty (30) days.

We will not be responsible for and you, the user, will pay for: (a) damages caused by accident, abuse, negligence, misuse, riot, fire, flood, or Acts of God (b) damages caused by operating the unit where there is a corrosive atmosphere containing chlorine, fluorine, or any other damaging chemicals (other than in a normal residential environment) (c) damages caused by any unauthorized alteration or repair of the unit affecting its stability or performance (d) damages caused by improper matching or application of the unit or the unit's components (e) damages caused by failing to provide proper maintenance and service to the unit (f) any expenses incurred for erecting, disconnecting or dismantling the unit (g) parts or supplies used in connection with service or maintenance (h) damage repairs, inoperation or inefficiency resulting from faulty installation or application (i) electricity or fuel costs or any increase in electricity or fuel cost whatsoever including additional or unusual use of supplemental electric heat.

We shall not be liable for any incidental, consequential, or special damages or expenses in connection with any use or failure of this unit. We have not made and do not make any representation or warranty of fitness for a particular use or purpose, and there is no implied condition of fitness for a particular use or purpose. We make no express warranties except as stated in this Limited Warranty. No one is authorized to change this Limited Warranty or to create for us any other obligation or liability in connections with this unit. Any implied warranties shall last for one year after the original installation. Some states and provinces do not allow the exclusion or limitation of incidental or consequential damages or do not allow limitations on how long an implied warranty or condition lasts, so the above limitations or exclusions may not apply to you. The provisions of this limited warranty are in additions to and not a modification of or subtraction from any statutory warranties and other rights and remedies provided by law.

Save this certificate. It gives you specific legal rights, and you may also have other rights which may vary from state to state and province to province.

In the event your unit needs servicing, contact your dealer or contractor who installed or serviced your unit. When requesting service, please have the model and serial number from each unit readily available. If your dealer needs assistance, the distributor is available for support and we, in turn support the distributor's efforts.

Fill in the installation date and model and serial numbers of the unit in the space provided below and retain this limited warranty for your files.

Model No. _____ Serial No. _____ Date installed _____

Log Set: (Circle one) VLOG18 VLOG24 VLOG30

Dealer or Contractor Name: _____

*To receive advantage of your warranty, you must retain the original records that can establish the installation date of your unit.