



## GALAXY D36-DV FIREPLACE SYSTEM

### Installation and Operation Manual

PART NUMBER	MODEL DESIGNATION	DESCRIPTION
794137B	GALAXY D36-DV - EING	Electronic Ignition Natural Gas
794136B	GALAXY D36-DV - SPNG	Standing Pilot Natural Gas
794138B	GALAXY D36-DV - SPLP	Standing Pilot Propane

fire-parts.com

OPTIONAL FEATURES: CIRCULATION BLOWER  
GRILLE TRIM KITS  
REMOTE CONTROL  
ARCHED GRILLE KIT  
DECORATIVE GLASS

**FOR YOUR SAFETY  
WHAT TO DO IF YOU  
SMELL GAS:**

- 1) Open windows.
- 2) Do not touch electrical switches.
- 3) Do not try to light any appliance.
- 4) Do not use the phone in your building.
- 5) Immediately call your gas supplier from a neighbor's phone.
- 6) Follow your gas suppliers instructions.
- 7) If you cannot reach your gas supplier, call the fire department.

**FOR YOUR SAFETY:**

Do not store or use gasoline or other flammable vapors and liquids in the vicinity of this or any other appliance.

Due to high temperatures, the appliance should be located out of traffic and away from furniture and draperies.

Do not place clothing or other flammable materials on or near the appliance.

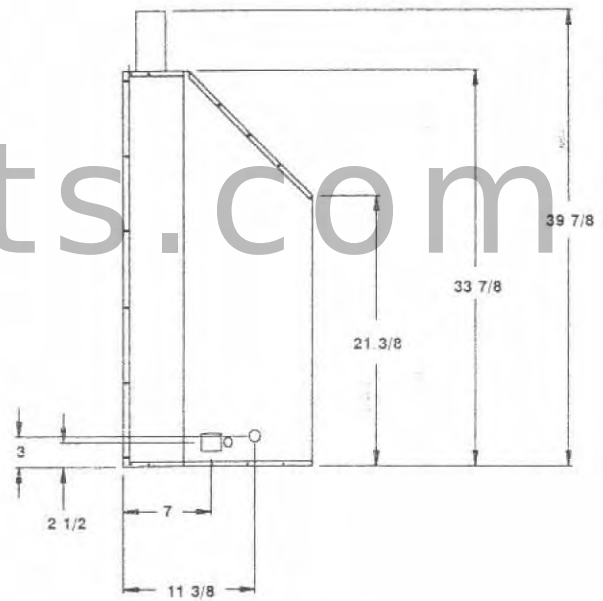
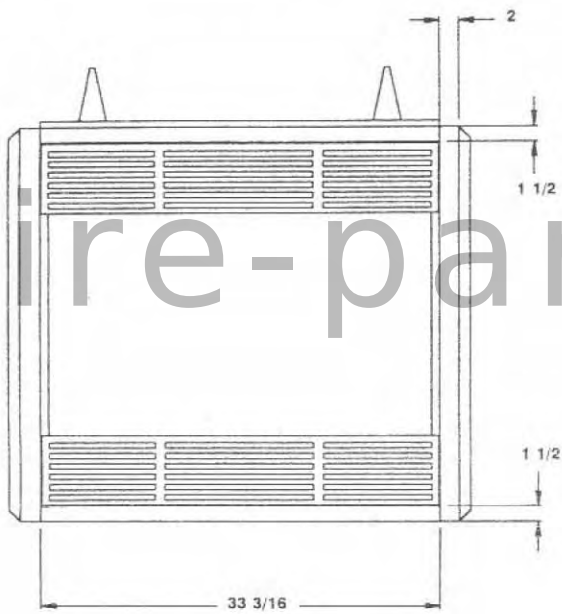
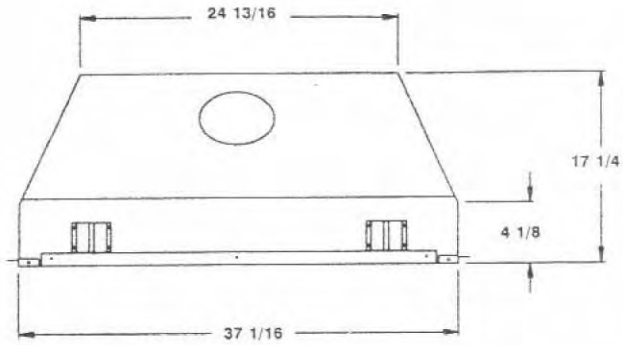


This symbol on the product means it is listed by Warnock Hersey

## TABLE OF CONTENTS

Introduction .....	2
General Information .....	3
Selecting Your Fireplace Location .....	3
Vent Termination Clearances to Fixed Glass Windows .....	5
Mantel .....	5
Adjacent Walls .....	5
Installation .....	5
Framing, General .....	5
Venting System Limitations .....	6
Horizontal Installation .....	6
Vertical Installation .....	6
Elbows .....	7
Clearances for the Flue System .....	7
Telescopic Pipe Section .....	7
Firestop Spacers .....	7
Horizontal Termination Kit .....	7
Installation of Horizontal Termination .....	7
Vertical Termination .....	8
Gas Line Hook Up .....	10
Operating the Fireplace .....	10
Remote Millivolt Wall Switch Wiring .....	11
Glass Door Maintenance .....	11
Log Placement .....	11
Finishing the Fireplace .....	12
Operation Instructions .....	12
Burner .....	12
Do's and Don'ts .....	12
Operation Guidelines and Maintenance Instructions .....	13
Pilot Adjustments, For Standing Pilot Units .....	13
Optional Accessory Kits .....	14
Blower Fan Kit .....	14
Arched Grille Kit .....	14
Brass Trim Kit .....	14
Decorative Glass Kits .....	14
Remote Control Kit .....	14
Appendix .....	15
–Operating Instructions for Standing Pilot Units .....	16
–Operating Instructions for Electronic Ignition Units .....	18
–Troubleshooting Standing Pilot Units .....	19
–Troubleshooting Electronic Ignition Units .....	20
–Replacement Parts .....	21
–Wiring Diagrams .....	25

## OVERALL FIREPLACE DIMENSIONS



### SAVE THIS BOOK

THIS MANUAL PROVIDES ALL THE INSTRUCTIONS NECESSARY FOR THE BUILDER OR HOMEOWNER TO INSTALL THE MARCO FIREPLACES SAFELY AND EFFICIENTLY. IT ALSO PROVIDES INFORMATION ON HOW TO ORDER REPLACEMENT PARTS WHEN NEEDED.

PLEASE RETAIN THIS MANUAL FOR FUTURE REFERENCE AND HOMEOWNER'S USE.

- A. Due to high temperatures the appliance should be located out of traffic and away from furniture and draperies.
- B. Children and adults should be alerted to the hazards of high surface temperatures and should stay away to avoid burns or clothing ignition.
- C. Young children should be carefully supervised when they are in the same room as the appliance.
- D. Clothing or other flammable material should not be placed on or near the appliance.
- E. Any safety screen or guard removed for servicing an appliance must be replaced prior to operating the appliance.
- F. The appliance shall not be used without the glass door securely in place.
- G. Installation and repair should be done by a qualified service person. The appliance should be inspected before use and at least annually by a qualified service person. More frequent cleaning may be required due to excessive lint from carpeting, bedding material, etc. It is imperative that control compartments, burners and circulating air passageways of the appliance be kept clean.

**WARNING: Improper installation, adjustment, alteration, service or maintenance can cause injury or property damage. Refer to this manual. For assistance or additional information, consult a qualified installer, service agency or the gas supplier.**

## Introduction

Before beginning the installation of your appliance, please read completely through these instructions and the instructions contained in the separate Operation Manual.

### INSTALLATION AND GAS LINE HOOKUP SHOULD BE PERFORMED BY A QUALIFIED INSTALLER.

The Galaxy D36-DV Standing Pilot model utilizes a millivolt gas control valve, pilot generator and piezo ignition system. The supplied remote wall switch must only be connected to the millivolt wiring to control the flow of gas.

**WARNING: AC Power must only be connected to the power receptacle. If AC power is connected to the millivolt system, you will destroy control circuits including the valve and thermopile and create a fire hazard.**

The Galaxy D36-DV Electronic Ignition model utilizes an electronic spark ignition and flame sensing control system. The electronic service module (ESM) is plugged into the AC receptacle to provide power to the internal power source (24 AC).

The AC receptacle must be connected to 115V AC power and controlled by a user supplied wall switch for all electronic ignition models and standing pilot models with circulation blowers. See wiring diagram on page 25. Before

installing, make sure installation is in compliance with all local and applicable electrical building codes.

The Galaxy D36-DV fireplace may be installed in either a conventional or prefabricated home.

The Marco warranty will be voided by, and Marco disclaims any responsibility for the following actions:

- A) Modification of the gas appliance and/or components as they have been designed and assembled. This includes the assembly of the venting system, its fixed glass door, and any accessories such as the optional remote control.
- B) Use of any component part not manufactured or approved by Marco for use in the Galaxy D36-DV system.
- C) Installation and/or operation in a manner other than; as instructed in this manual.
- D) The burning of wood and/or other unapproved material.
- E) Removal of the appliance's fixed glass door, log set and/or burner unless they are removed and replaced for normal maintenance.
- F) The use of any accessory products not approved for use in the Galaxy D36-DV System.

PROPER INSTALLATION is the most important step in ensuring safe, long-term operation of this gas appliance. Consult the local building codes prior to installation to insure conformance with the codes relating to the installation of this appliance.

**WARNING: THIS IS NOT A WOOD BURNING FIREPLACE. ANY ATTEMPT TO BURN WOOD IN THIS FIREPLACE IS EXTREMELY HAZARDOUS AND WILL VOID THE MARCO WARRANTY.**

### Remote Control

The Galaxy D36-DV is operated by the use of a wall switch provided by Marco (only standing pilot mod-

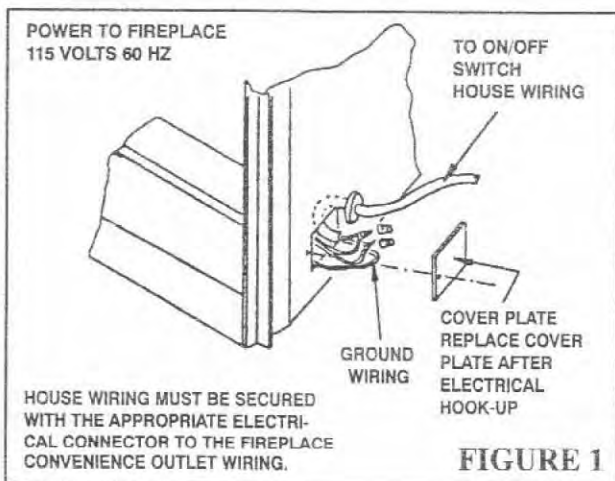


FIGURE 1

els). However, if desired, this fireplace may also be operated by the use of an optionally purchased handheld remote control (Marco Part Number 794012). The handheld remote control may be purchased before or after the time of installation from any authorized Marco distributor.

## General Information

This appliance is tested and listed by Warnock Hersey to ANSI Z21.50b 1990 and applicable sections of ANSI Z21.44 1995 as a direct vent gas appliance.

Installation must conform to local codes. In the absence of local codes, installation must conform with the current National Fuel Gas Code, ANSI Z223.1-Latest.

This appliance when installed, must be electrically connected and grounded in accordance with local codes or, in the absence of local codes, with the National Electrical Code, ANSI/NFPA No. 70-Latest.

This appliance is equipped with a three-prong (grounding) plug for protection against shock hazard and should be plugged directly into a properly grounded three-prong receptacle. Do not cut or remove the grounding prong from the plug.

This unit is equipped with the MARCO Common Module, which contains all the central wiring, as well as the critical components for this unit's operation. The Common Module may be removed for individual component servicing.

Provide adequate clearances around the air openings into the combustion chamber and adequate accessibility clearance for service and proper operation. Never obstruct the front opening of the appliance.

Minimum clearances to combustibles are: Top of spacer, 0"; Sides, 0"; Back, 0" (4" with verticle venting - see **ELEVATED THROUGH THE WALL VENTING**); Floor, 0"; Mantel 6"; Venting system is supplied by Marco.

Minimum inlet gas pressure is 4.5 inches water column of natural gas, and 11.0 inches for propane, for the purpose of input adjustment.

Maximum inlet gas supply pressure is 10.0 inches water column for natural gas and 13.0 inches for propane.

A 1/8" N.P.T. plugged tapping is provided on the gas control along the side of the outlet to the burner for a test gauge connection.

Depending on the model and options you purchased, all of the major subsystems (igniter control transformer, remote control and speed control) are mounted on what is known as the Electronic Service Module (ESM). It is physically located under the combustion chamber, behind the bottom panel. All of the electrical components either plug into or are mounted in the (ESM).

The appliance must not be connected to a chimney flue already sensing a solid fuel burning appliance.

A gas supply shutoff valve must be installed in the supply line to the appliance so that the appliance may be disconnected for servicing. **THIS SHUTOFF VALVE IS NOT SUPPLIED WITH THE APPLIANCE.**

The appliance and its individual shutoff valve must be disconnected from the gas supply piping during any pressure testing of that pipe system at test pressures in excess of 1/2 psig (3.5 KPa). The appliance must be isolated from the gas supply piping system by closing its individual manual shutoff valve during any pressure testing of the gas supply piping system.

## High Altitude Installation

The burner's orifices are #50, #57 for Natural Gas and #58, #69 for Liquid Propane from sea level up to 10,000 ft. elevation.

However, as the calorific value of gas may be different from one region to another due to the difference in altitude, you must check with your local gas supplier to determine the corresponding orifice sizes then call Marco Mfg., for replacement orifices.

## Selecting Your Fireplace Location

The fireplace location selected must allow the appliance to be installed with the necessary clearances. Do not place the fireplace on soft-surfaced floor coverings such as carpeting. The mounting surface must be flat and hard (such as plywood, wood flooring, particle board or any other hard surfaced material), and evenly support the total base of the fireplace. A raised platform may be used to support the fireplace, at test pressures equal to or less than 1/2 psig (3.5 KPa). When the appliance is installed directly on carpeting, tile or any other combustible material other than wood flooring the appliance must be installed on a metal or wood panel that is the full width and depth of the appliance.

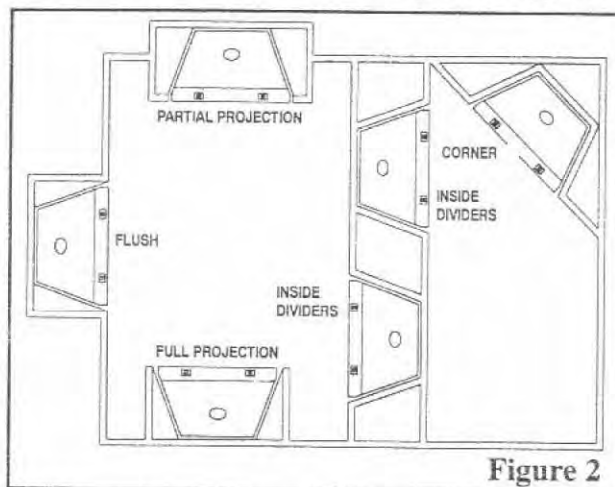
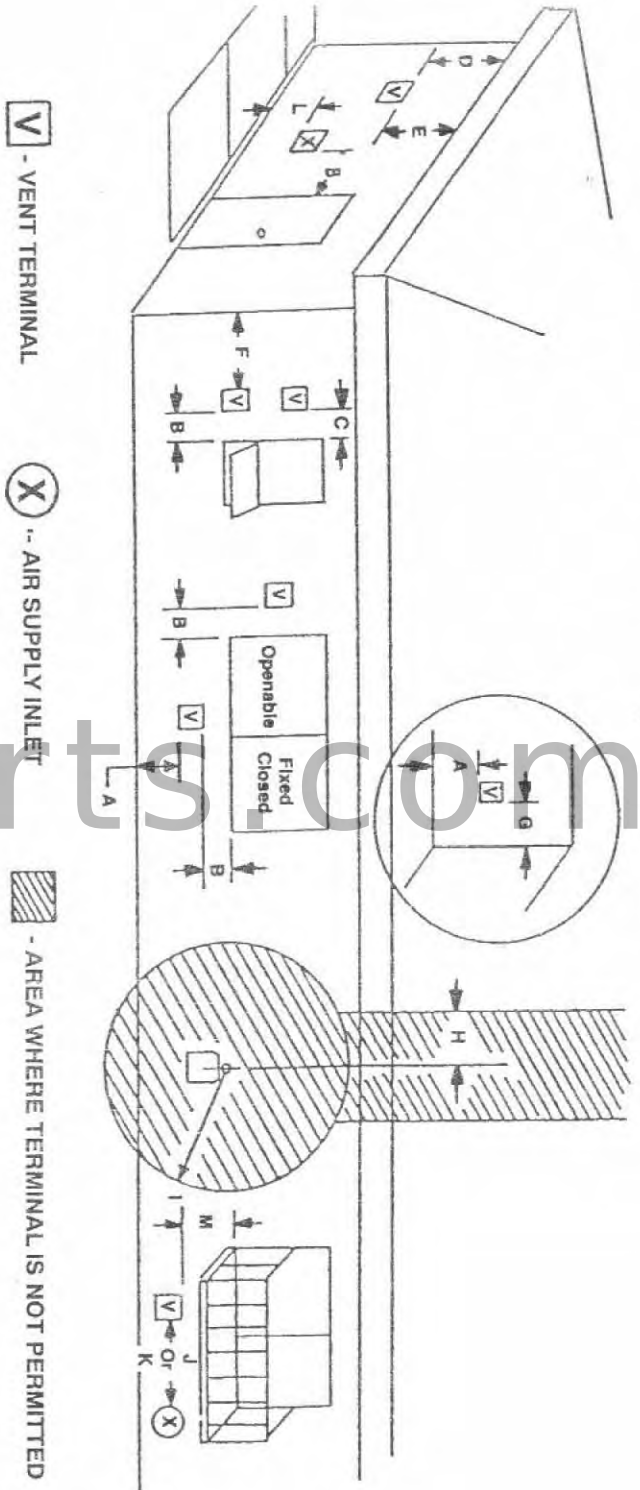


Figure 2

## Clearances

When installed in accordance with the instructions given in this manual, the fireplace system may touch combustible materials at the bottom, sides and back of the fireplace.

### Vent Termination Minimum Clearances



- A=12"
- B=12"
- C=9" (U.S.A.) 12" (Canada) D 13"
- E=1 3/8"
- F=9"
- G=6"
- Clearances above

- grade, veranda, porch, deck or balcony
- Clearance to window or door that may be opened
- Clearance to permanently closed window
- Clearance to permanently closed window (Canada) D 13"
- Vertical clearance to ventilated soffit located above the terminal within
- Clearance to unventilated soffit
- Clearance to outside corner
- Clearance to inside corner

- H=3 feet
- I=3 feet (U.S.A.) 6 feet (Canada)
- J=9" (U.S.A.) 12" (Canada)
- K=3 feet (U.S.A.) 6 feet (Canada)
- \* L=7 feet
- \*\* M=18"

- Not to be installed above a meter/regulator assembly within 3 feet (90cm) horizontally from the centre-line of the regulator
- Clearance to service regulator vent outlet
- Clearance to service regulator vent outlet
- Clearance to non-mechanical air supply inlet to building or the combustion air inlet to any other appliance
- Clearance to a mechanical air supply inlet
- Clearance above paved sidewalk or a paved driveway located on public property
- Clearance under veranda, porch, deck or balcony

\* A vent shall not terminate above a sidewalk or paved driveway which is located between like single family dwellings and serves both dwellings.

\*\* Only permitted if veranda, porch, deck or balcony is fully open on a minimum of two sides beneath the floor

**NOTE: LOCAL CODES OR REGULATIONS MAY REQUIRE DIFFERENT CLEARANCES**

Figure 3

## Vent Termination Clearances To Fixed Glass Windows

The final position of the termination should comply with the dimensions shown below in figure 4.

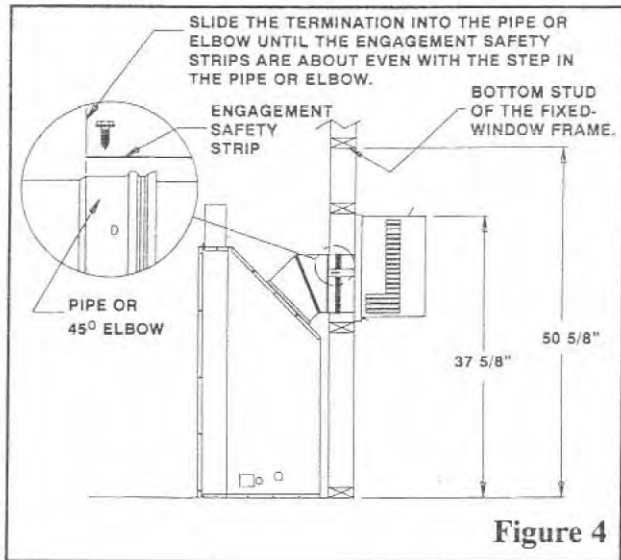


Figure 4

## Mantels

If desired, a mantel may be installed, provided that it is installed no less than 6" from the top of the appliance (See Figure 5)

## Adjacent Walls

The fireplace may be installed with adjacent walls perpendicular to the side of the fireplace with 0 inch clearance as shown in Figure 6.

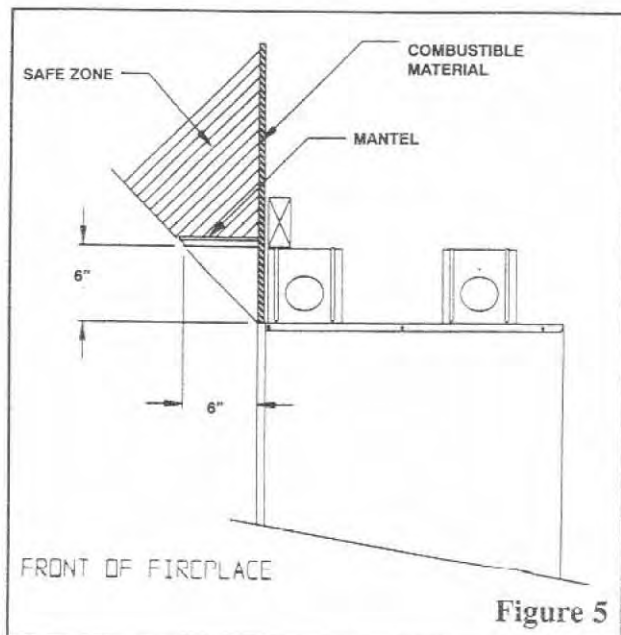


Figure 5

## Installation

The Galaxy D36-DV may be vented in one of the following ways.

1) Through the Wall Venting - Use the Marco Direct Vent-Wall Vent Elbow (MDV-WVE) Kit (Marco Part #794597).

2) Elevated Through the Wall Venting - Use a combination of horizontal and vertical run. The horizontal run must not exceed 12 feet.

**WARNING: THIS APPLIANCE MAY NOT BE CONNECTED TO A MASONRY CHIMNEY. YOU MUST ONLY USE THE VENT SYSTEM APPROVED BY MARCO FOR USE WITH THIS APPLIANCE.**

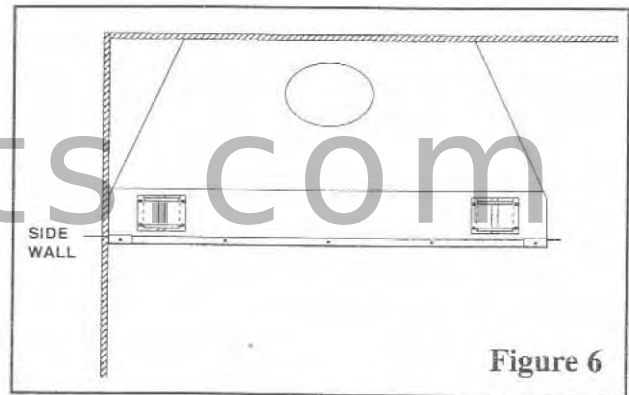


Figure 6

## Framing, General

Proper framing will provide the specified clearances to combustible materials. Refer to Figure 7.

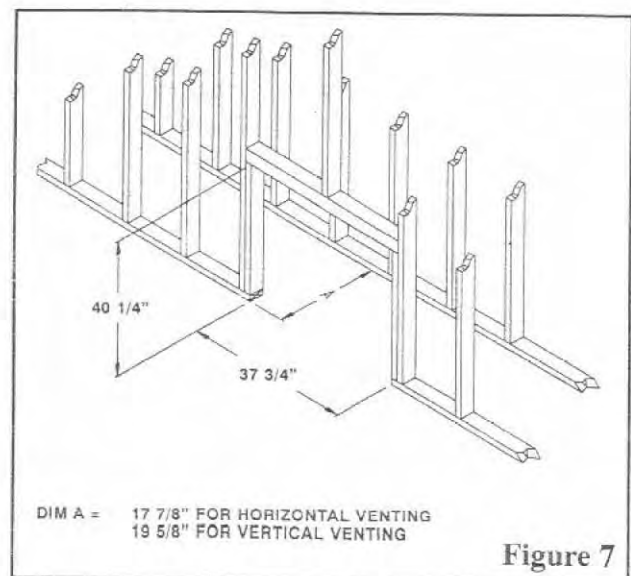
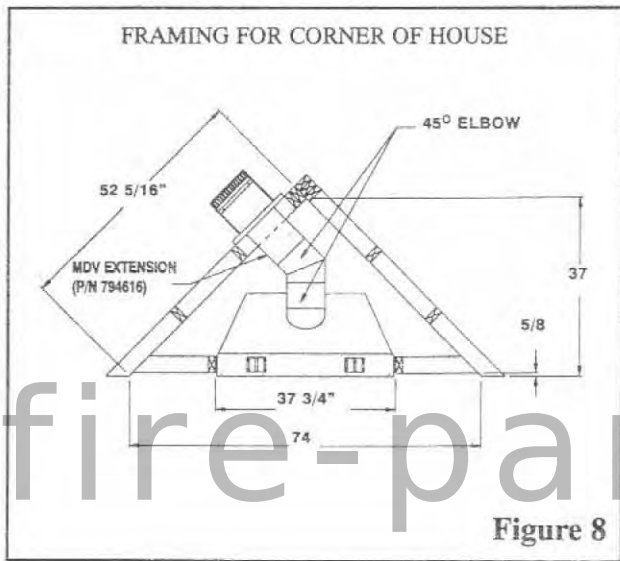


Figure 7

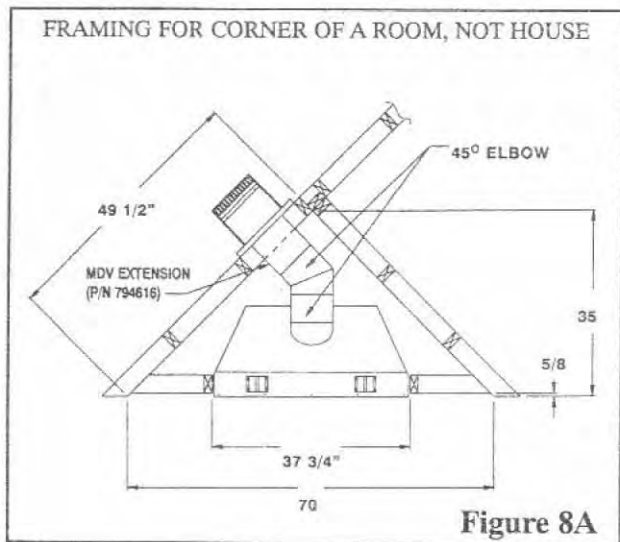


**CORNER INSTALLATION: USE FIGURE 8 AND FIGURE 8A FOR CORNER INSTALLATION WITH SHOWN MIN. DIMENSIONS.**

Use the Marco Direct Vent Extension Kit (P/N 794616) for corner installation. This kit, in conjunction with the Marco Direct Vent 8" x 5" Pipe System will make the Galaxy D36-DV adaptable to any framing depth. This kit is also recommended for horizontal run when the dimension from the elbow or pipe section to the termination nailing flange is in the 3"- 13-1/2" range.



**Figure 8**

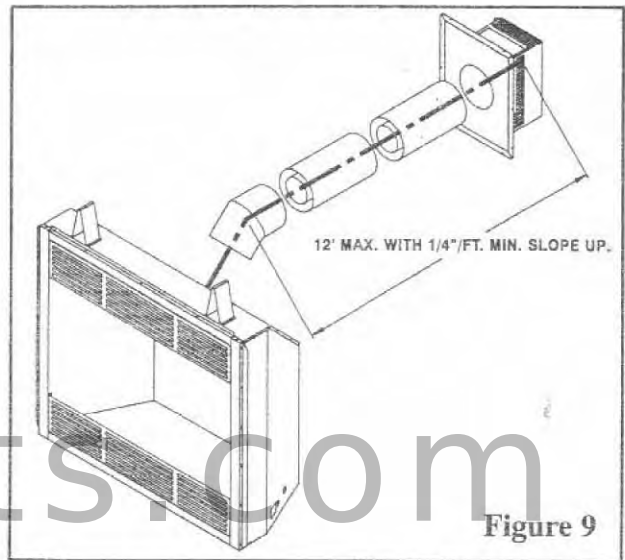


**Figure 8A**

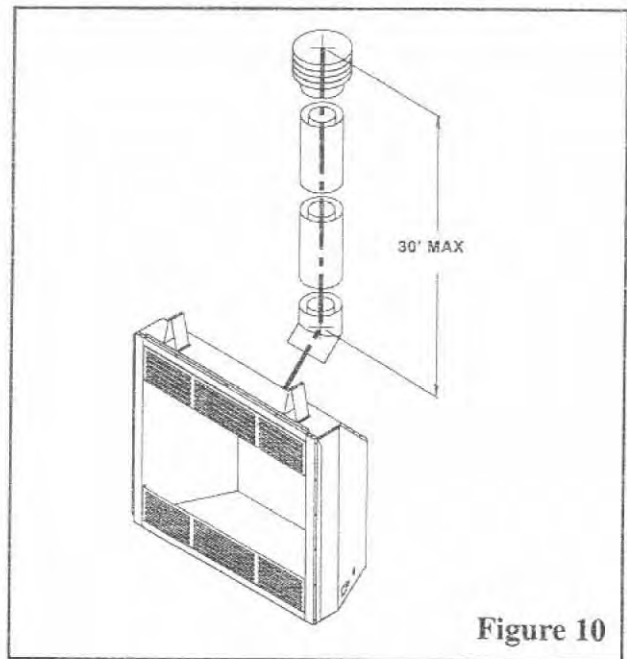
**VENTING SYSTEM LIMITATIONS**

**Horizontal Installation**

The unit may be vented directly with a max 12' horizontal run to the termination with one (1) 45° elbow. Refer to Figure 9. You must use the available Marco Direct Vent-Wall Vent Elbow Kit (MDV-WVE) Marco P/N 794597, which includes a 45° elbow (P/N 493803 and 493805) and Horizontal Termination (Marco P/N 480261).



**Figure 9**



**Figure 10**

**Vertical Installation**

The unit may be vented vertically with a max 30' rise between the fireplace and the vertical termination. Refer to Figure 10. The simple vertical installation requires only one 45° elbow, straight pipe sections and the Roof Vent (MDV-RV) Marco P/N 794598.

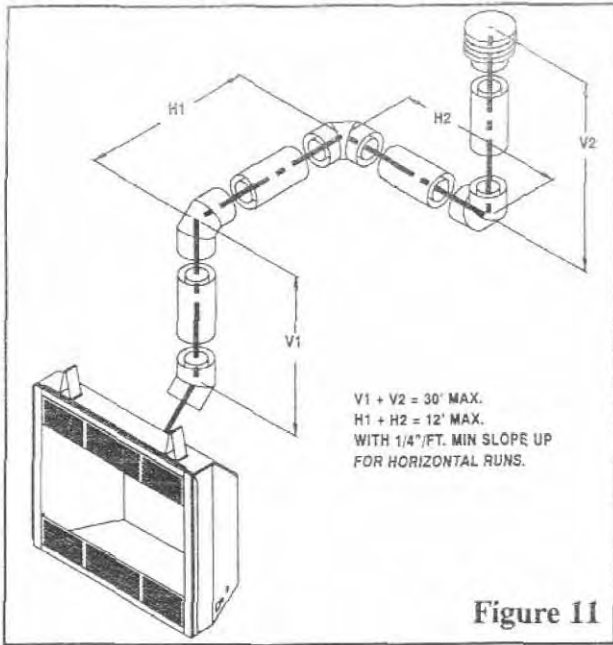


Figure 11

## Elbows

The maximum possible number of elbows used for vertical and horizontal installation must not exceed three (3) 90° and one (1) 45° elbows. This configuration permits up to 30' vertical rise with a maximum 12' horizontal run. Figure 11 illustrates an example of this configuration.

## REQUIRED CLEARANCES FOR THE FLUE SYSTEM

**Horizontal Run -** 3" clearance to/from combustibles on the top and 1" clearance on the sides and bottom.

**Vertical Rise -** 1" clearance

## Telescopic Pipe Section

The Telescopic Pipe section (P/N 493849) is designed to be infinitely adjustable from 17" to 24", and should be used when a specific offset, or length, is required that cannot be achieved easily with the standard straight pipe lengths. Refer to Figure 12.

After the connections are made, wrap the end of the telescopic pipe section with aluminum tape to prevent entrance of outside air into the room.

## Firestop Spacers

Firestop Spacers are required at each point where the chimney penetrates a floor or ceiling joist space. Their purpose is twofold: they establish and maintain the required clearance between the chimney and combustible materials, and they provide separation from one floor to another floor or attic space. They are not intended to halt a fire that's already established. It is not necessary to seal any gaps between the firestop spacer and the vent pipes or joists. If the pipe passes through a framed opening between floors, install a firestop spacer to the bottom of the joists. When the pipe passes into the attic space, install the firestop spacer on top of the joists and secure with sheet metal screws or nails. Refer to Figure 13.

## Horizontal Termination Kit (MDV-WVE)

The Marco Direct Vent-Wall Vent Elbow Kit is used for the Galaxy D36-DV Fireplace System. This kit is approved to be used with the Marco Direct Vent 8" x 5" Pipe System.

The Marco Direct Vent-Wall Elbow Vent (MDV-WVE) Kit, P/N 794597, consists of:

- 45° elbow, P/N 493803 and 493805
- Horizontal Marco Termination, P/N 480261

## Installation of Horizontal Termination

- 1.) Snap lock the 45° elbow onto the fireplace to the position shown in Figure 14.

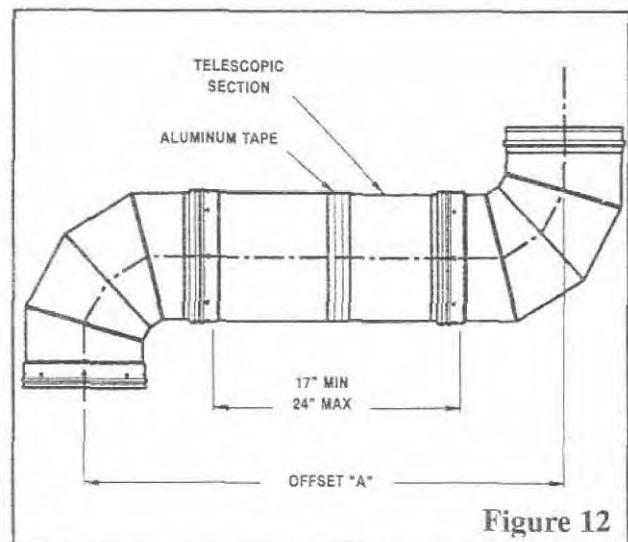


Figure 12

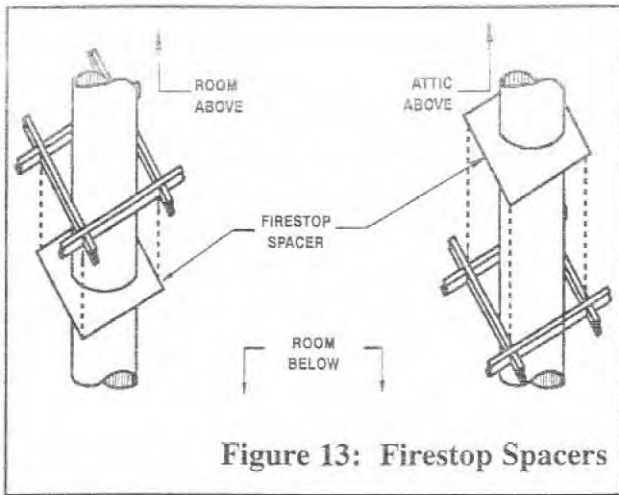


Figure 13: Firestop Spacers

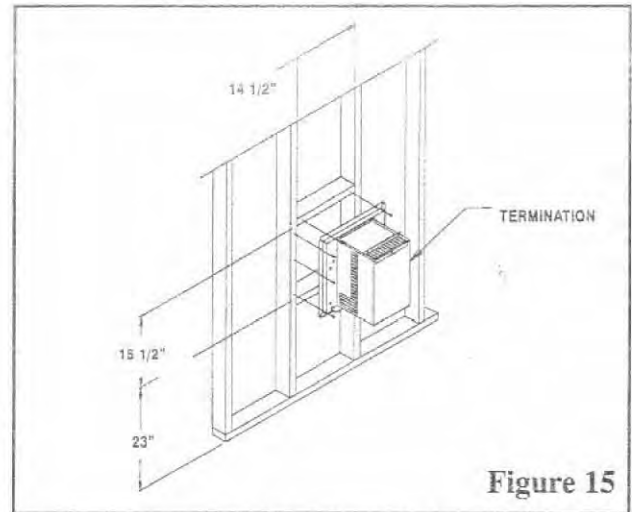


Figure 15

- 2.) Position the fireplace according to the framing dimensions and clearances provided in the fireplace installation instructions. Refer to figure 7.
- 3.) Locate the position where the vent passes through the wall. Frame a 15 1/2" x 14 1/2" opening for the termination. See figure 15. **THE TERMINATION SHOULD NOT BE RECESSED INTO THE WALL OR SIDING.**
- 4.) Position the termination as shown in figure 4. The outer pipe of the termination must slide into the open end of the 45° elbow. The 45° elbow must overlap the termination's outer pipe until the engagement safety strips are about even with the step in the elbow. See figure 4.
- 5.) Secure the termination to the studs by centering the termination base around the framed opening and using ten nails or screws (not provided) through the provided holes in the termination base.

NOTE: The minimum clearance from the outer pipe to combustible materials is 3" on top and 1" on the bottom and sides. The termination's design will allow the proper clearances to be maintained when it has been secured to the studs.

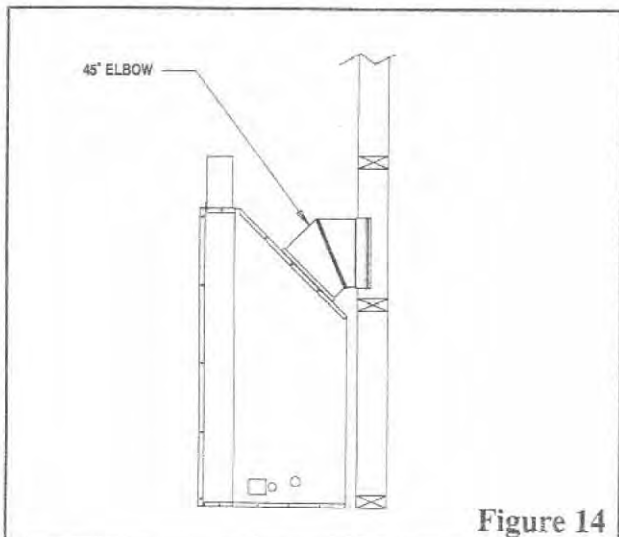


Figure 14

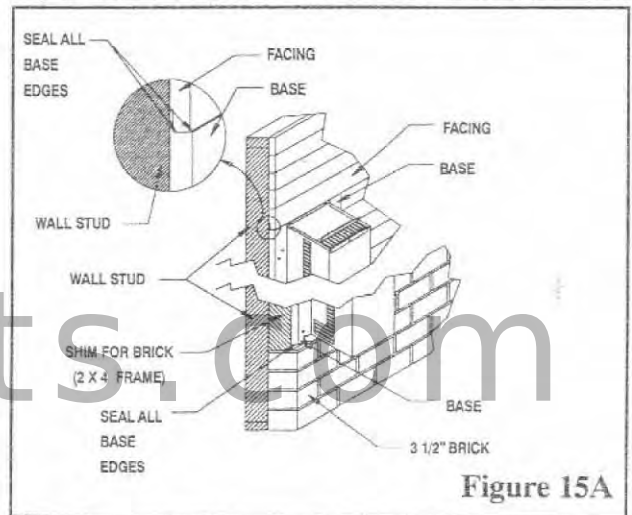


Figure 15A

- 6.) Secure the termination to the 45° elbow using the #10 sheet metal screws through the holes in the engagement safety strips. See figure 4.
- 7.) Seal the junction between the termination base, siding and the outside corners of the termination base with caulking material. See figure 15A.

## Vertical Termination

The vertical termination requires running the venting pipes (chimney) through the floor/ceilings above the fireplace, to the roof of the house.

**Note:** Each time the chimney passes through a floor/ceiling, a firestop space must be used. If the space above is a room, the firestop spacer must be placed at the bottom edge of the joist area. If the space above is an attic, the firestop spacer must be placed at the top edge of the joist area. Refer to Figure 13.

For direct vent appliances, the vent/air intake termination clearances above the high side of an angles roof as follows:

TABLE 1

ROOF PITCH	FEET	METERS
Flat to 6/12	1	0.3
7/12 to 9/12	2	0.6
10/12 to 12/12	4	1.2
13/12 to 16/12	6	1.8
17/12 to 21/12	8	2.4

To complete your vertical termination, determine the location of the hole to be cut in the roof.

Cut a square hole in the ceiling which is 11" x 11" for this 8" x 5" pipe system.

Cut the hole in the roof, and add sections until the chimney extends a minimum of 14" above the highest point of the roof cutout (see Figure 16).

Position the flashing over the chimney and flat on the roof. Mark an outline of the flashing on the roof and remove the flashing. Remove all nails within the outlined area that may interfere with securing the flashing (see Figure 17).

Place flashing into position on un-shingled roof. Hold in position by nailing shingles in place over the flashing edges.

Install the storm collar on the chimney and push down near the top of the flashing. Apply a waterproof caulking around the top of the storm collar (see Figure 17). **NOTE: Caulking the storm collar will ensure a watertight system, and is a very important step.**

You may wish to caulk the seams and notches on all joints above the flashing and paint all exposed parts of the chimney with galvanized primer paint. A coat of paint to match the house may then be applied.

Finally, install the termination on the last section of pipe. Round terminations can be used on either exposed chimney or chase installations.

Secure the outer pipes (of termination and straight pipe) together by using three (3) #10 sheet metal screws through provided holes (in engagement safety strips).

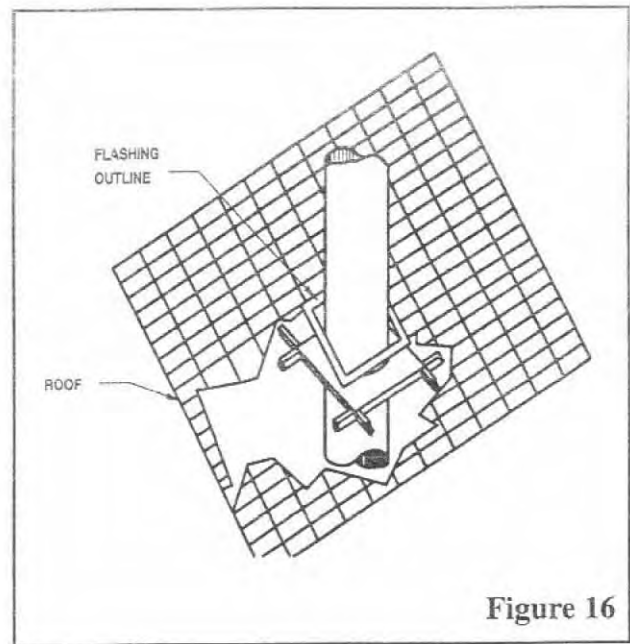


Figure 16

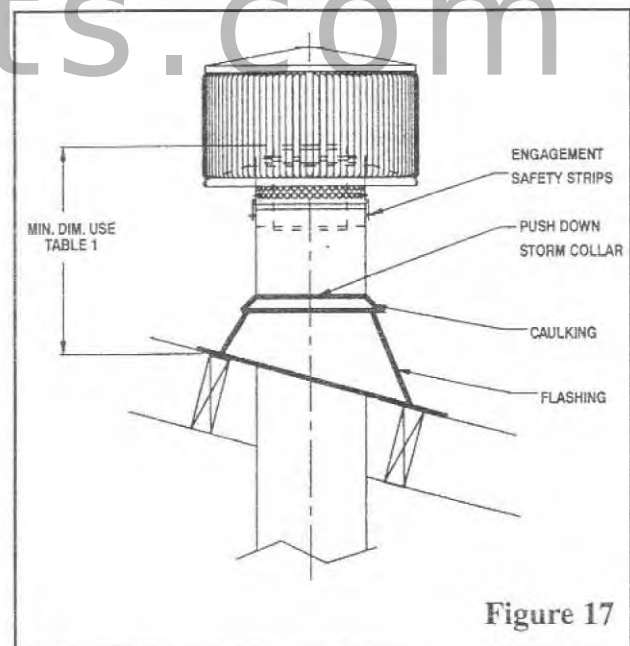


Figure 17

**CHECK LOCAL CODES PRIOR TO INSTALLATION. TABLE 1 MAY NOT APPLY IN SOME AREAS. IF SO, IGNORE THE ABOVE, AND APPLY LOCAL CODES.**

## Gas Line Hookup

A manual shutoff valve must be included in the appliances gas supply system.

For Standing Pilot models include a plugged 1/8" NPT tapping in the gas line immediately upstream of the appliances gas supply connection, where it will be accessible for test gauge connection.

Route a 1/2" NPT Black Iron gas line above the floor surface and behind the face of the rough framing (See Figure 18). The gas line may be installed to enter the appliance from the side of the fireplace by removing the screws at one of the access holes provided as shown in Figure 19.

**It is essential that the fireplace enclosure be in place before the gas supply line is run into the appliance.**

Compounds used on threaded joints of gas piping shall be resistant to the action of liquefied petroleum gases. Apply sealant lightly to ensure excess sealant does not enter the gas line.

**CAUTION:** All gas piping and connections must be tested for leaks after the installation is completed. After ensuring that the gas valve is on, apply a soap and water solution to all connections end joints. If bubbles appear, leaks can be detected and corrected. **DO NOT USE AN OPEN FLAME FOR LEAK TESTING AND DO NOT OPERATE APPLIANCE IF A LEAK IS INDICATED.**

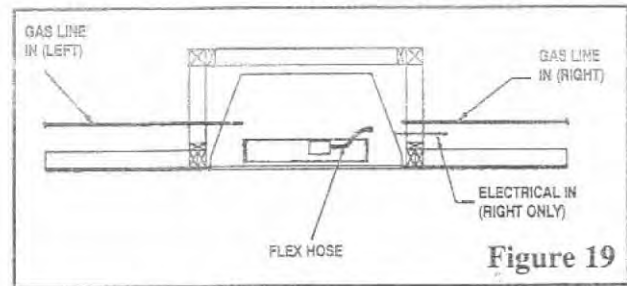
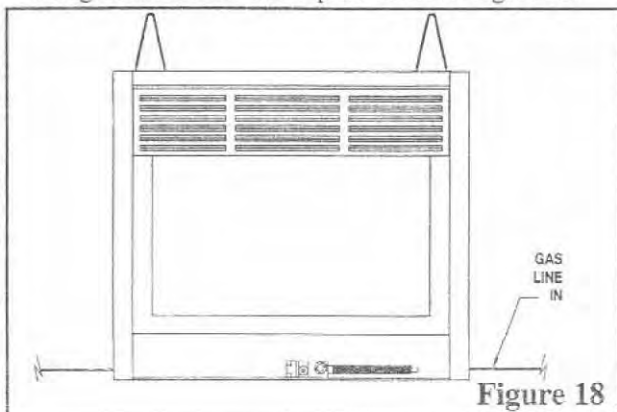
The appliances bottom grille opens for installation and gas cutoff access. See Figure 20 for correct positioning and operation of the appliances lower grille.

## Operating The Fireplace

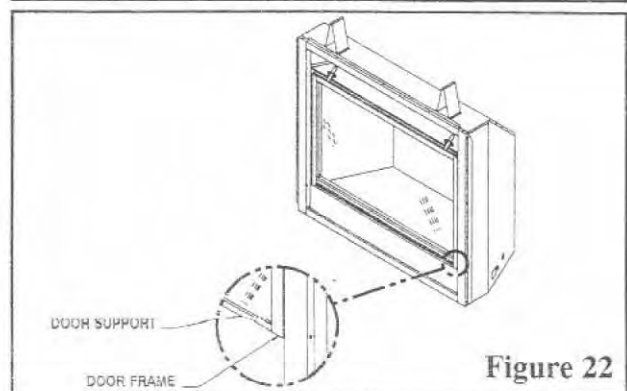
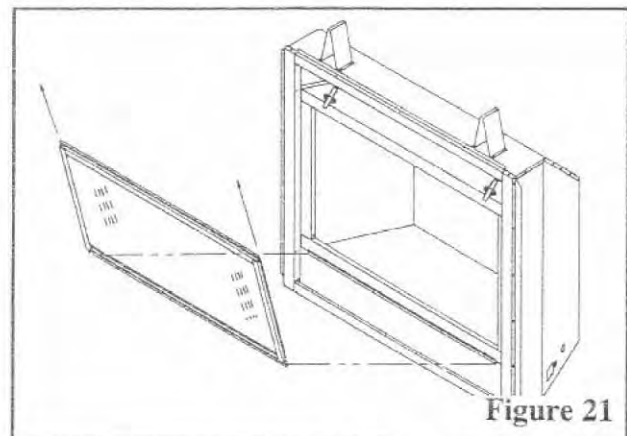
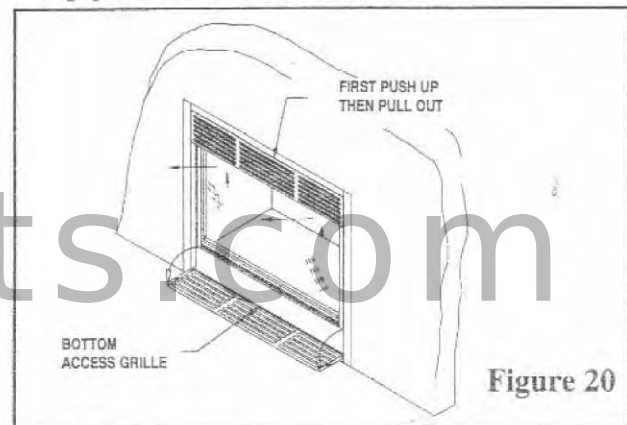
Removing the Glass Door.

**WARNING: WHEN INITIALLY IGNITING THE FIREPLACE, YOU MUST REMOVE THE GLASS PANEL.**

1. Remove the upper grill by lifting it up and pulling it towards you. Refer to Figure 20.
2. Open the lower grill by lifting it up, then swing the bottom grill around the lower pins. Refer to Figure 20.



3. Unlock the latches of the glass door and hold the top sides firmly as it opens toward you. Lift the glass door up with a slight angle toward the front as shown in Figure 21.
4. To place the glass door back on the unit, line up the bottom of the glass door in the door support bracket as shown in figure 22. Make sure the glass door is centered with reference to the door support. Push the top of the glass door firmly against the top of firebox and engage latches and lock.



## Remote Millivolt Wall Switch Wiring

The gas control, pilot generator, heat limit and wall switches have been pre-wired at the factory. Additionally, approximately eight (8) feet of millivolt wire is provided for connecting the appliance to a remote wall switch.

Uncoil the millivolt wire from the right side and select a location approximately five(5) feet off the ground within reach of the wire for the wall switch.

After installing an electrical box, run the millivolt wire to the box and tie off. Install the wall switch and switch coverplate during final assembly.

A wiring diagram on page 25 is included for troubleshooting and parts replacement. Simply connect one wire to each switch terminal.

**WARNING: FOR STANDING PILOT IGNITION SYSTEM DO NOT CONNECT TO LINE VOLTAGE! NO HOUSE CURRENT IS NECESSARY.**

## Glass Door Maintenance

To install the appliances log set and/or for normal cleaning and maintenance, you must remove the appliances fixed glass door.

Because we use environmental friendly paint it is likely that you will see rainbow like colors on the fireplace glass during the first hours of operation.

After forty hours of operation, it is recommended that you remove the glass door and clean the inside surface with "SOFT SCRUB CLEANSER" and "WINDEX". Wet the inside surface of the glass, sprinkle "SOFT SCRUB CLEANSER" and "WINDEX" on the wet surface and rub it. Let it sit for one or two minutes, rub the glass surface again, rinse it and then use a glass cleaner to clean any excess of "SOFT SCRUB CLEANSER" and "WINDEX". After doing this procedure put the glass door on the fireplace. If at any time you observe any stain on the glass repeat the above procedure again.

**WARNING: The appliance must be operated only with the Marco Fixed Glass Door. Operation of the appliance with another glass door or without a glass door is prohibited and will void the appliances warranty.**

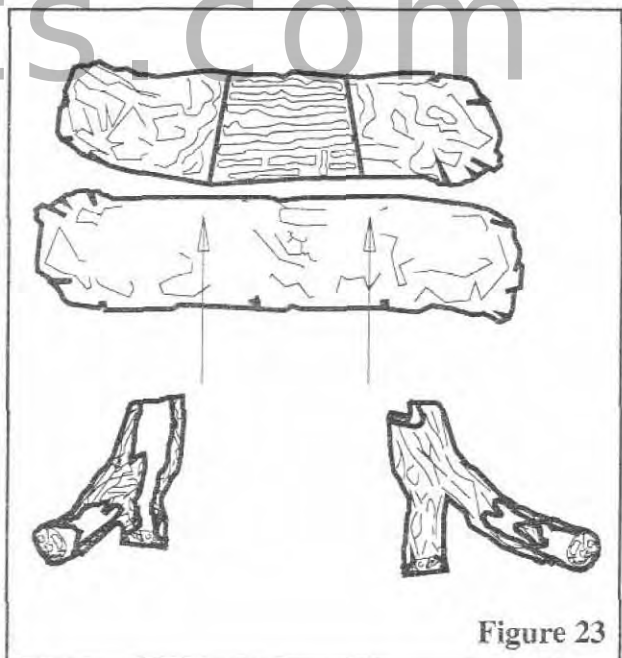
**WARNING: Do not operate appliance with the glass door removed, cracked or broken. Replacement of the glass door should be done by a licensed or qualified service person.**

**WARNING: During servicing, do not place glass panel flat on the floor and do not place any objects on the glass panel.**

## Log Placement

The Galaxy D36-DV comes complete with a 6 piece log set. Four (4) logs have been factory set and secured by wires and screws to the log support. The top center log piece is made out of ceramic fiber materials, which produces a realistic glowing effect. Ceramic fiber log is brittle and must be handled with care. The log support is positioned and screwed to the bottom of the fire box for proper flame and glow characteristics. The log support must be positioned as set by factory for proper operation of the fireplace. Indentations have been provided for the two top cross logs for support and placement of these logs. Refer to Figure 23. Placement has been set to provided the safest and most efficient use for your appliance.

The size and position of the logs have been engineered to give your appliance a safe, reliable and beautiful flame pattern. **Any attempt to use a different Grate (support) or log set in this appliance will void the Marco warranty and is extremely dangerous.**



**THIS FIREPLACE IS NOT MEANT TO BURN WOOD. ANY ATTEMPT TO DO SO COULD CAUSE IRREPARABLE DAMAGE TO YOUR APPLIANCE AND PROVE HAZARDOUS TO YOUR SAFETY.**

## Finishing The Fireplace

When selecting the finish material for your fireplace, it is important to remember the following: **THE BLACK FACE MUST NOT BE COVERED WITH ANY COMBUSTIBLE MATERIAL.** The sides of the Galaxy D36-DV may be faced to the fireplace and the top of the fireplace may be faced to the top grille. However, the upper grille and the lower grille may not be obstructed in any way and must be left clear to allow access for the service technician and/or homeowner.

Non-combustible facing material such as tile, brick, glass, etc. may overlap the clean black face portion at the top and sides of the fireplace. Be sure to use a non-combustible heat resistant mortar or adhesive when attaching the finish trim to the fireplace face. The face of the fireplace may be painted to match the room decor provided you use a heat resistant paint with a minimum of 300° F temperature allowance.

## Operation Instructions

To operate this appliance, refer to the lighting instructions label located behind the lower grille.

The Galaxy D36-DV Standing Pilot model is a millivolt type. It consists of a pilot burner, piezo igniter, a combination gas control valve and a manual ON/OFF switch. The wall switch is connected in series with the high temperature limit switch.

Approximately the top 3/8" of the pilot generator (thermopile) should be engulfed in the pilot flame as shown in Figure 24.

## Burners:

This unit is using a dual burner combination log-set system\* to provide both flame and glow for a more natural and beautiful display of burning logs.

Both burners are equipped with adjustable air shutters which are located under the log support. These air shutters have been factory adjusted for optimum flame appeal and glowing effect. However, shutters can be adjusted by loosening the air shutter screw and rotating the air shutter around the burner while watching the burner's flame.

When the fireplace is turned on initially, for the first hour you will notice a yellow flame where the glowing is normally seen in front, this will change to glowing gradually. Also check the back flames for sooting at the initial start up of the fireplace. If sooting is observed, re-adjust the shutter opening as shown in Figure 25. To prevent sooting the shutter must be opened more. It is the installers or

homeowners responsibility to re-adjust the burners shutters and clean out the soot. Marco does not provide a warranty that covers sooting.

\*Patent Pending

## Do's and Don'ts

- Read operation and warranty manuals thoroughly before installing and using this fireplace.
- **IMPORTANT:** Always turn off the gas and electricity to the appliance before servicing and/or cleaning the fireplace. Allow the appliances logs to cool before cleaning and/or servicing.
- Do not use this appliance if any part of it has been under water. Immediately call a qualified service technician to inspect the appliance and to replace any part of the control system and/or any gas control which has been underwater.
- **DO NOT BURN WOOD IN THIS FIREPLACE. ANY ATTEMPT TO DO SO WILL VOID THE MARCO WARRANTY AND COULD PROVE EXTREMELY HAZARDOUS.**
- Periodically clean and examine the appliance's burners, and venting system.
- Periodically perform a visual check of your appliances flame pattern.
- Do not block the appliances bottom control panel. It must be available for operator or technician access.
- Keep the area in front of the appliance free from combustible materials such as drapes, paper products, wood storage, furniture, etc. Do not store gasoline or other flammable vapors and liquids nearby.
- Do not obstruct the flow of combustion and ventilation.
- Have repairs done by a qualified service technician.

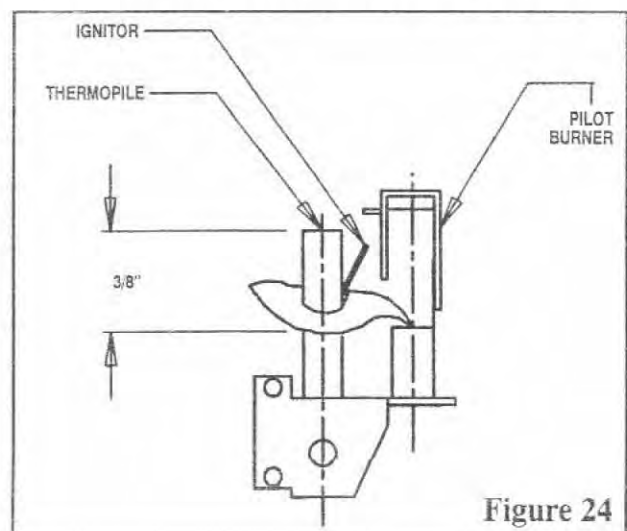


Figure 24

# Operation Guidelines and Maintenance Instructions

1. Upon completing your gas line connection, a small amount of air will be in the lines. For Standing Pilot Models, when first lighting the pilot burner, it will take a few minutes for the lines to purge themselves of this air. Once purging is complete, the burner will light and operate as indicated in this instruction manual. Subsequent lighting of the appliance will not require such purging.

2. **BEFORE LIGHTING, CHECK ALL CONNECTIONS WITH A SOAP SOLUTION FOR POSSIBLE LEAKS.**

3. When lit for the first time, the appliance may emit a slight odor for an hour or two. This is due to the "curing" of the logs and the "Burn-In" of internal paints and lubricants used in the manufacturing process.

**CAUTION: THE LOGS CAN GET VERY HOT, AND WILL REMAIN HOT FOR UP TO ONE HOUR AFTER THE GAS SUPPLY IS TURNED OFF TO THE BURNER — HANDLE ONLY WHEN LOGS ARE COOL.**

4. Clothing or other flammable material should not be placed on or near the appliance.

5. Always turn off the gas to the pilot before cleaning.

**IMPORTANT:** Turn off the gas and the wall switch before servicing the appliance. It is recommended that a qualified serviceman perform these checkups annually before beginning the appliance's seasonal use. Any guard removed for servicing an appliance must be replaced prior to operating the appliance.

Before relighting, refer to the lighting instructions located in the appliance's bottom control panel.

6. The appliance and venting system should be inspected before use and/or annually by a qualified service person, it is imperative that control compartments, burners and circulating air passageways of the appliance be kept clean.

7. Always keep the area surrounding the appliance clear and free from combustible materials, gasoline and other flammable vapors and liquids.

8. Never obstruct the flow of combustion and ventilation air. Keep the front of the appliance clear of all obstacles and materials.

9. Periodically perform a visual check of your appliance's flame pattern. Refer to Figure 25.

## Pilot Adjustments - For Standing Pilot Units

1. Remove pilot adjustment cap on the main valve (See Wiring Diagram on page 25).

2. Adjust pilot screw to provide properly sized flame. Turning the adjustment screw clockwise reduces the pilot flame. This adjustment is made at the factory and usually is not required upon initial installation.

3. Replace pilot adjustment cap screw.

**WARNING:** Children and adults should be alerted to the hazards of high surface temperature and should stay away to avoid burns or clothing ignition. Young children should be carefully supervised when they are in the same room as the appliance.

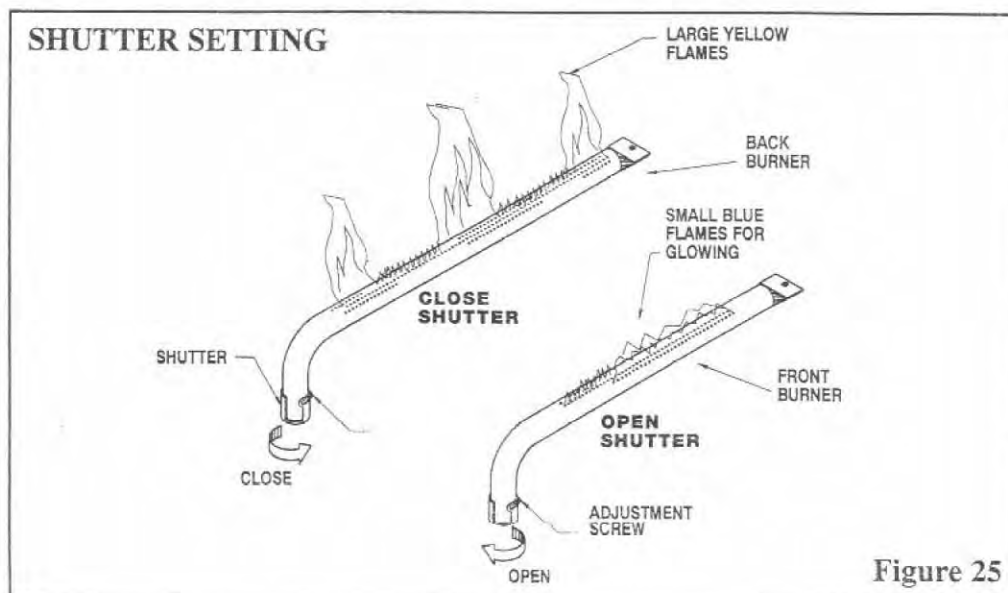


Figure 25



# OPTIONAL ACCESSORY KITS

## Blower Fan Kit

The variable speed blower fan kit has been designed to provide greater air flow throughout the internal convection chamber of the fireplace. This enables more air to be drawn into and then out of the warm air discharge area directly above the combustion chamber. This kit can be readily installed and serviced using a phillips screwdriver. Use Blower Kit #793651 or P/N 793696 for Galaxy D36-DV.

## Arched Grille Kit

The Arched Grille Kit provides a different look for your fireplace than is achieved with the standard straight grilles. Use Arched Grille Kit #793676.

## Brass Trim Kit

The Brass Trim Kits have been provided for your fireplace to add more visual accent to the top and bottom grills, if desired. Use Brass Trim Kit #793677 for Straight Grilles and #793652 for Arched Grilles.

## Decorative Glass Kit

You can use your fireplace with the regular Glass Kit (P/N 794591) or you can order the Decorative Glass Kit (P/N 794593).

## Remote Control Kit

The Marco Galaxy Series models, are operated by the use of the wall switch. If desired, these fireplaces may also be operated by the use of an optionally purchased hand-held remote control (Marco Part Number 794012). The hand-held remote control may be purchased before or after the time of the installation from an authorized Marco distributor.

## Lighting and Shutdown Instructions and Cautions For Standing Pilot Units

### FOR YOUR SAFETY, READ BEFORE LIGHTING

**WARNING:** If you do not follow these instructions exactly, a fire or explosion may result, causing property damage, personal injury or loss of life.

- A. This appliance has a pilot which must be lit by hand. When lighting the pilot, follow these instructions exactly.
- B. BEFORE LIGHTING, smell all around the appliance area for gas. Be sure to smell next to the floor because some gas is heavier than air and will settle on the floor.
- If you cannot reach your gas supplier, call the fire department.
- C. Use only your hand to push in or turn the gas control knob. Never use tools. If the knob will not push in or turn by hand, don't try to repair it, call a qualified service technician. Force or attempted repair may result in a fire or explosion.

#### WHAT TO DO IF YOU SMELL GAS:

- Do not try to light any appliance.
  - Do not touch any electric switch; do not use any phone in your building.
  - Immediately call your gas supplier from a neighbor's phone. Follow the gas supplier's instructions.
- D. Do not use this appliance if any part of it has been under water. Immediately call a qualified service technician to inspect the appliance and to replace any part of the control system and any gas control which has been under water.

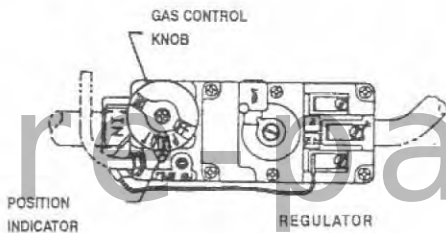
# OPERATING INSTRUCTIONS

## For Standing Pilot Unit

1. STOP! Read the safety information on the previous page.
2. Open bottom control panel by lifting first and swinging the top down.
3. Push in gas control knob slightly and turn clockwise to "OFF"

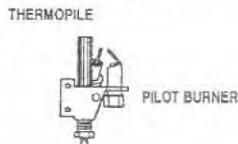
NOTE: Knob cannot be turned from "PILOT" to "OFF" unless knob is pushed in slightly.

Do not force.



4. Wait five (5) minutes to clear out any gas. If you then smell gas, STOP! Follow "B" in the safety information section on previous page. If you don't smell gas, go to the next step.

5. Find pilot - follow metal tube from gas control. The pilot is between the front and back burner.



6. Turn knob on the gas control counterclockwise to "Pilot."
7. Push in control knob all the way and hold in. Immediately light the pilot by pressing the red igniter button. Continue to hold the control knob in for about one (1) minute after the pilot is lit. Release knob and it will pop back up. Pilot should remain lit. If it goes out, repeat steps 3 through 7.

- If knob does not pop up when released, stop. Turn off the gas at the supply valve and immediately call your service technician or gas supplier.

8. Turn gas control knob counterclockwise to "ON."
9. Close the lower grill.

## TO TURN OFF GAS TO APPLIANCE

1. Turn off wall switch.
2. Open the lower grille.
3. Push in gas control knob slightly and move clockwise to "OFF." Do not force.
4. Close lower grille.

## Lighting and Shutdown Instructions and Cautions For Electronic Ignition Units

### FOR YOUR SAFETY, READ BEFORE LIGHTING

**WARNING:** If you do not follow these instructions exactly, a fire or explosion may result, causing property damage, personal injury or loss of life.

- A. This appliance does not have a pilot. It is equipped with an ignition device which automatically lights the burner. Do not try to light the burner by hand.
- B. BEFORE OPERATING, smell all around the appliance area for gas. Be sure to smell next to the floor because some gas is heavier than air and will settle on the floor.
- If you cannot reach your gas supplier, call the fire department.
- C. Use only your hand to push in and move the gas control lever. Never use tools. If the lever will not push in or move by hand, don't try to repair it, call a qualified service technician. Force or attempted repair may result in a fire or explosion.

#### WHAT TO DO IF YOU SMELL GAS:

- Do not try to light any appliance.
  - Do not touch any electric switch; do not use any phone in your building.
  - Immediately call your gas supplier from a neighbor's phone. Follow the gas supplier's instructions.
- D. Do not use this appliance if any part of it has been under water. Immediately call a qualified service technician to inspect the appliance and to replace any part of the control system and any gas control which has been under water.

# OPERATING INSTRUCTIONS

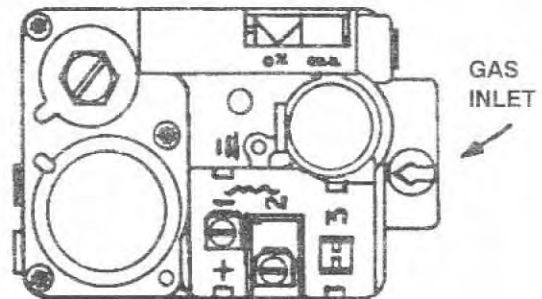
## For Electric Ignition Units

1. STOP! Read the safety information on the previous page.
2. Turn off all electrical power to the appliance.
3. This appliance is equipped with an ignition device which automatically lights the burner. Do not try to light the burner by hand.
4. Push in gas control lever slightly and move to the right to "OFF"
7. Close the lower grille.
8. Turn on all electric power to the appliance.
9. If the appliance will not operate, follow the instructions "To Turn Off Gas To Appliance" and call your service technician or gas supplier.

NOTE: Lever cannot be moved to "OFF" unless lever is pushed in slightly. Do not force.

GAS CONTROL  
LEVER SHOWN  
IN "ON" POSITION

5. Wait five (5) minutes to clear out any gas. If you then smell gas, STOP! Follow "B" in the safety information section on the previous page. If you don't smell gas, go to the next step.
6. Move gas control lever to the left to "ON."



## TO TURN OFF GAS TO APPLIANCE

1. Turn off all electrical power to the appliance if service is to be performed.
2. Open the lower grille.
3. Push in gas control lever slightly and move to the right to "OFF." Do not force.
4. Close lower grille.

## TROUBLESHOOTING THE MARCO GALAXY D36-DV NGSP ELECTRIC PIEZO IGNITER AND GAS CONTROL SYSTEM

NOTE: Before troubleshooting the electric piezo igniter system, be sure external gas shutoff valve, located at the gas supply inlet, is in the "ON" position. Refer to Wiring Diagram on Page 25.

SYMPTOM	POSSIBLE CAUSE	CORRECTIVE ACTION
1. Spark igniter will not light pilot after repeated triggering of the red button.	1) Defective igniter (No spark at electrode)	A) Check for spark at electrode and pilot; if no spark and electrode wire is properly connected, replace the igniter.
	2) Defective or mis-aligned electrode at pilot (Spark at electrode).	A) Using a match, light pilot. If pilot lights, turn off the pilot and trigger the red button again. If pilot lights, an improper gas mixture caused the bad lighting and a longer purge period is recommended. If pilot will not light, check gap at electrode and pilot hood- should be 1/8" to have a strong spark. If not, replace the pilot assembly.
2. Pilot will not stay lit after carefully following lighting instructions.	1) Defective pilot generator (thermopile) or remote wall switch wiring.	A) Check pilot flame. It must impinge the top 1/3 of pilot generator. Clean and/or adjust pilot for maximum flame impingement on generator. B) Be sure wire connections from generator at gas valve terminals are tight and generator is fully inserted into pilot bracket. C) One of the wall switch wires may be grounded. Remove wall switch wires from valve terminals. If pilot now stays lit, trace wall switch wires for a ground. May be grounded to appliance or gas supply. D) Check pilot generator with millivolt meter. Take reading at generator terminals of gas valve. Should read 325 millivolts minimum while holding valve knob depressed in pilot position and wall switch "OFF." Replace faulty generator if reading is below specified minimum.
	2) Defective automatic valve operator	A) Turn knob to "ON," place wall switch to "ON." Millivolt meter should read greater than 100MV. If the reading is okay and the burner does not come on, replace the gas valve.
3. Pilot burning, no gas to burner, valve knob "ON," wall switch "ON."	1) Wall switch or wires defective	A) Check wall switch and wires for proper connections. Jump wires for proper connections. Place jumper wire across terminals at wall switch. If burner comes on, replace defective wall switch. If okay, place jumper wires across wall switch wires at gas valve. If burner comes on, wires are defective or connections are bad.
	2) Limit switch defective	A) Check limit switch and wires for proper connection. Place jumper wire across terminals at limit switch. If burner comes on, replace defective limit switch.
	3) Pilot generator may not be generating sufficient millivoltage.	A) Re-check above symptom.
	4) Plugged burner orifice	A) Check burner orifice for blockage and remove.
4. Frequent pilot outage problem	1) Pilot flame may be too low or blowing (high) causing the pilot safety to drop out.	A) Clean/adjust pilot flame for maximum flame impingement on pilot generator.

## TROUBLESHOOTING THE MARCO GALAXY D36-DV NGEI (24 VOLT) DIRECT SPARK IGNITION AND GAS CONTROL SYSTEM

Refer to Wiring Diagram on Page 25 and repeat procedures until troublefree operation results. If corrective actions do not solve your appliance's problem, contact a qualified service technician for repair.

SYMPTOM	POSSIBLE CAUSE	CORRECTIVE ACTION
1. Flame does not light	1) No line voltage	A) Check wiring and all connections B) Check that transformer is at low voltage, nominal input 120VAC.
	2) Faulty ON/OFF switch	A) Check ON/OFF switch and all safety switches. Replace as necessary.
2. No spark	1) DSI in lockout	A) Interrupt power ON/OFF switch for five seconds. Try again.
	2) Open high voltage lead	A) Check spark at high voltage stud on ignition control. If spark is present, replace high voltage lead or igniter.
	3) Blown in-line fuse	A) Check fuse in L1 control lead (Black). If okay, replace ignition control.
	4) Shorted Igniter	A) Disconnect the high voltage lead at DSI and check for spark and DSI high voltage stud. Check position of igniter and possible short.
3. Spark, but no flame	1) Gas valve not turned on	A) Move red lever on gas valve to "ON."
	2) Gas not to burner	A) Long periods of no use; may require several trials for gas to reach burner
	3) Plugged burner orifice	A) Check orifice for blockage and remove
	4) Incorrect low voltage	A) Check for correct voltage at low voltage transformer - 24VAC nominal output. B) Check for correct voltage to gas valve. If correct voltage is present, replace valve. If incorrect voltage is present, replace ignition control.
4. Flame on momentarily	1) Igniter	A) Check that igniter is continuously washed by flame. Adjust as necessary.
	2) Heat Limit Switch	A) Check that venting is not restricted or blocked. If okay, replace heat limit switch.
5. Sparking will not stop when flame is present	1) Igniter	A) Check position of igniter. Adjust as necessary.
	2) Ground continuity	A) Check ground lead (green) and H.V. lead for continuity. Replace as necessary. B) If checks above are okay, replace ignition controls.
6. Main burner flame only on for several minutes	1) Ground continuity	A) If ground is poor or intermittent, shutdowns will occur occasionally, even though operation is normal at time of checkout.
	2) Igniter	A) Check igniter for excessive heat on the ceramic insulator. This will cause shorts to ground.
	3) Heat limit switch	A) Check that venting is not restricted. B) If above checks are okay, replace ignition controls.
7. Main burner won't shut off	1) Switches	A) Check safety switches for correct operation. B) Remove lead from gas valve. If valve shuts off, recheck safety switches. If not, replace gas valve.

# REPLACEMENT PARTS

## HOW TO ORDER REPAIR PARTS

- 1) Please refer to the Replacement Parts list and diagram when ordering replacement parts for your appliance. It contains proper names and part numbers of each component to assist you when and if you need to order.
- 2) When possible, order repair parts for your appliance from the dealer where it was purchased.
- 3) Be sure to give the Part Number, the Name of the Part and the Fireplace Stock No. You will find the fireplace stock number on the rating plate behind the appliance's lower grille.
- 4) When remittance is sent with the order, include enough for transportation.
- 5) There is a minimum charge of \$10.00 plus postage for each order.
- 6) All parts are subject to change without notice.

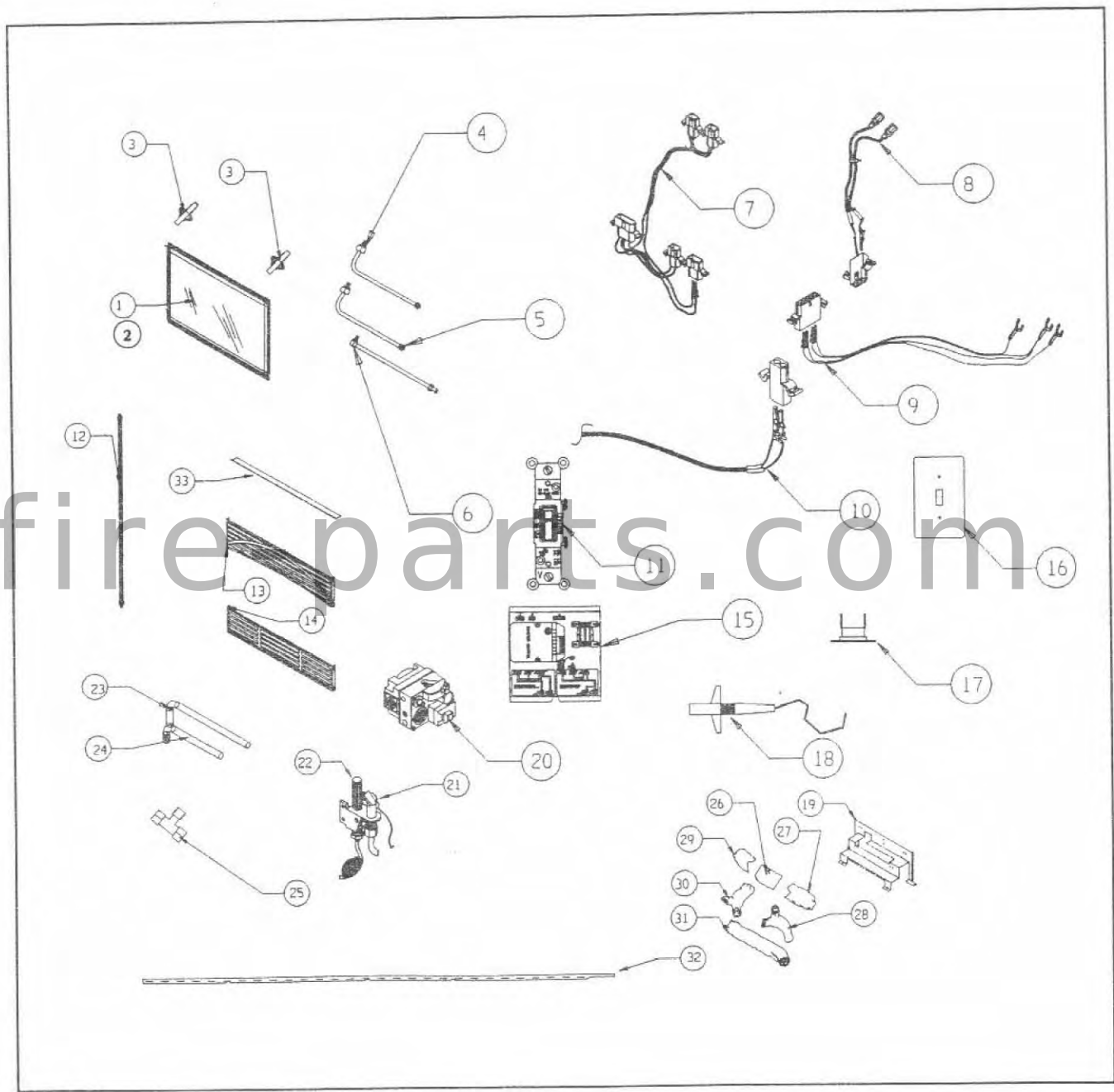
fire-parts.com



**GALAXY D36-DV-SP (STANDING PILOT) REPLACEMENT PARTS LIST**

<b>ITEM</b>	<b>D36-DV PART #</b>	<b>DESCRIPTION</b>
1	794591	GLASS KIT
2	794593	DECORATIVE GLASS KIT
3	129937	LATCHES
4	481050	TUBING, BACK BURNER
5	481051	TUBING, FRONT BURNER
6	481049	PILOT TUBING
7	113332	WIRE HARNESS
8	113336	HARNESS, HEAT LIMIT
9	113346	VALVE WIRE ASSEMBLY
10	116158	THERMOPILE, CONDUCTOR
11	116133	SWITCH, WALL WHITE
12	495107	HOSE, FLEX CORRUGATE
13	481030	GRILLE TOP
14	481029	GRILLE BOTTOM
15	499731	MODULE, COMMON ASSEMBLY
16	116134	PLATE, SWITCH WHITE
17	112948	HEAT LIMIT SWITCH
18	116140	IGNITER PIEZO
19	481020	LOG SUPPORT
20	495103	REGULATOR, VALVE
21	116162	STANDING PILOT ASSEMBLY
22	116158	THERMOPILE, CONDUCTOR
23	198568	BACK BURNER
24	198569	FRONT BURNER
25	129935	"T" FITTING
26	481064	FIBER LOG
27	164702	TOP LOG RIGHT
28	164700	CROSS LOG RIGHT
29	164701	TOP LOG LEFT
30	164699	CROSS LOG LEFT
31	164703	BOTTOM LOG
32	481033	GASKET
33	481028	HOOD

# GALAXY D36-DV-SP (STANDING PILOT) REPLACEMENT PARTS

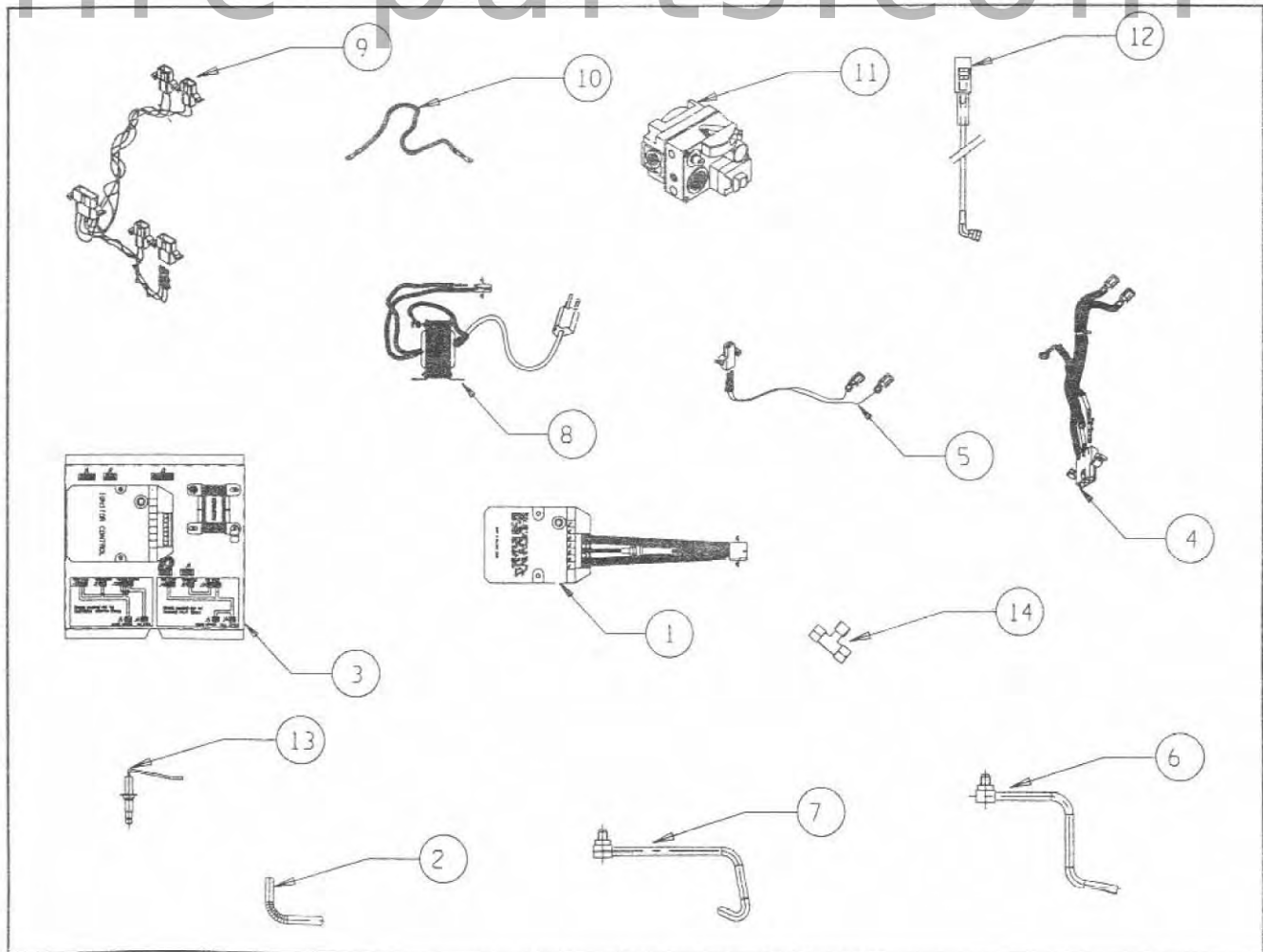


**GALAXY D36-DV-EI  
(ELECTRONIC IGNITION) REPLACEMENT PARTS LIST**

481057A

ITEM	D36-DV PART #	DESCRIPTION
1	113349	CONTROL, DSI BLUE BOX
2	481061	TUBING, VALVE EI
3	499728	MODULE, COMMON ASSEMBLY
4	113335	HARNESS, HEAT LIMIT
5	113347	VALVE, WIRE ASSEMBLY
6	481060	TUBING, BACK BURNER, EI
7	481059	TUBING, FRONT BURNER, EI
8	113334	TRANSFORMER, LOW VOLT
9	113331	WIRE HARNESS
10	113355	WIRE GROUND BURNER
11	495101	REG. NAT. VALVE ELECT.
12	113359	CABLE, HI VOLT 30
13	481057	IGNITOR/SENSOR
14	129933	REDUCING TEE

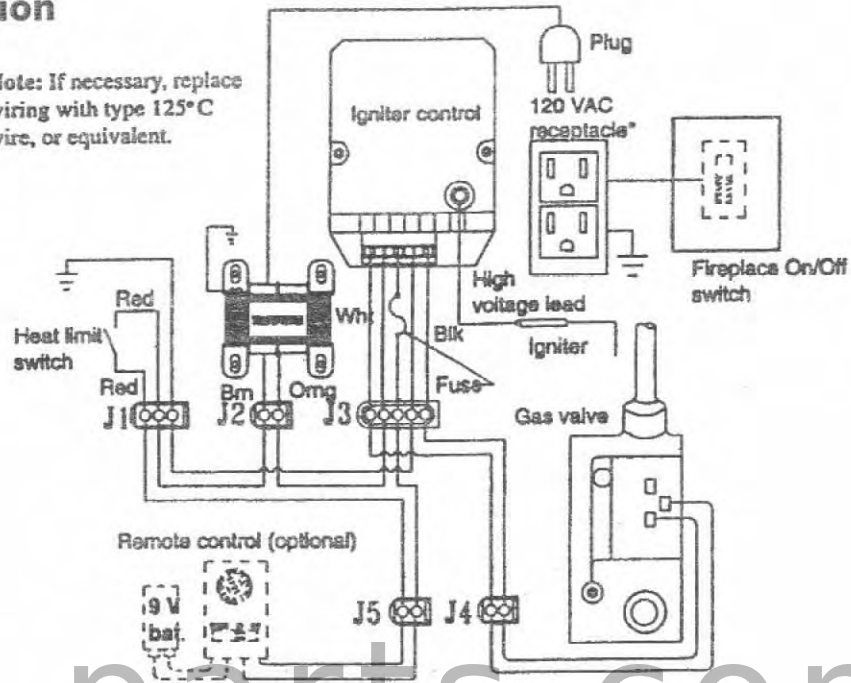
fire-parts.com



# Wiring Diagrams

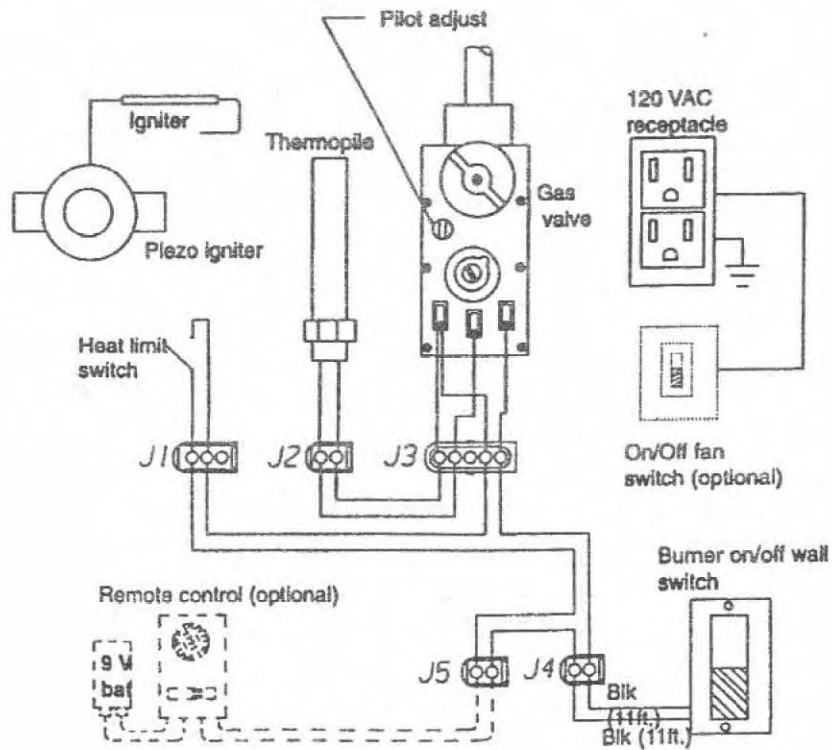
## Electronic Ignition


Note: If necessary, replace wiring with type 125°C wire, or equivalent.



\* Inside control panel

## Standing Pilot





**MARCO DECORATIVE  
GAS APPLIANCES  
20 YEAR LIMITED WARRANTY**

**A. BASIC WARRANTY**

Marco Mfg., Inc. ("Marco") warrants its Decorative Gas Appliances (Models Galaxy D36-DV) to be free from defects in materials and workmanship at the time of manufacture. This warranty covers only the original consumer purchaser at the original installation of a fireplace system installed and operated in accordance with the appropriate installation and operating instructions. This warranty extends to specific components for the periods specified below.

**B. IMPLIED WARRANTY LIMITATION**

NO IMPLIED WARRANTIES, INCLUDING WARRANTIES OF MERCHANTABILITY AND FITNESS FOR A PARTICULAR PURPOSE, EXTEND BEYOND THE RESPECTIVE PERIODS SPECIFIED BELOW. Some states do not allow limitations on how long an implied warranty lasts, so the above limitation may not apply to you.

**C. PERIODS OF COVERAGE**

Except for special parts covered in Section D below, Marco will repair, replace or refund the original list price, at Marco's option, in accordance with the following schedule:

1. **First Year** --Marco will supply parts, at no charge (F.O.B. factory), and reasonable labor costs to repair or replace components of the fireplace system. Labor costs must be approved in advance by Marco and shall not exceed twice the retail price of the replacement parts.
2. **Second through Fifth Year**--Marco will supply parts only, at no charge (F.O.B. factory), to repair or replace components of the fireplace system.
3. **Sixth through Tenth Year**--Marco will supply parts only, at 50% of the list price in effect at the time (F.O.B. factory), to repair or replace components of the fireplace system.
4. **Eleventh through Twentieth Year**--Marco will supply parts only (if they are available), at the then current list price (F.O.B. factory), to repair or replace components of the fireplace systems.

**D. SPECIFIC COMPONENT EXCEPTIONS**

The life of the following parts and components of the fireplace system is dependent upon the environment and the care and usage by the consumer. Warranty for these components is as specified below:

**Gas Components:** The warranty for the gas components not manufactured by Marco is for a period of two years from the *date of installation* of the appliance. Marco will, at its option, repair or replace a defective component. In order to receive a warranty credit, the defective part must be returned in exchange for the new one.

**For Standing Pilot Models:** A replacement regulator, pilot or thermopile will be provided in exchange for the defective one; and

**For Electronic Ignition Models:** A replacement low voltage transformer, direct spark ignition assembly, regulator valve and damper or heat limit switch will be provided in exchange for the defective one.

Such repair or replacement will be at no charge, except for the cost of shipping components from Marco's nearest factory. Marco will also pay for reasonable labor costs to repair or replace such components. If repair or replacement of a defective component is not commercially practicable, Marco will refund the wholesale price of the defective component.

**REMOTE CONTROL:** The remote control is warranted for a period of six months from the date of its purchase. Thereafter, parts will be available at the then current list price.

**GAS LOGS:** Gas logs are covered for two years against material and workmanship defects and against destruction by fire or heat. The warranty does not cover hairline cracks, or log breakage that is the result of mishandling.

**GRATES:** The grate is warranted for a period of ninety days. Thereafter, parts will be available at the then current list price.

**BLOWER, VARIABLE SPEED SWITCH & WIRE SCREENS:** Parts or assemblies are warranted for a period of one year. Thereafter, parts will be available at the then current list price.

**GLASS:** Breakage of glass is normally due to handling and shipment. Glass breakage is not covered by this warranty. Replacement doors for currently manufactured fireplaces will be available at the list price. The dimensions and specifications for replacement glass panels for obsolete units will be made available upon request.

**REFRACTORY COMPONENTS:** Marco will supply parts or material only, at no charge, to repair or replace defective refractory, for a period of one year. This policy does not apply to small hairline cracks in refractory which do not affect the safety and operation of the fireplace. This policy does not apply to refractory which has been broken during installation of the fireplace. After one year, replacement refractory will be made available at the then current list price.

**TERMINATIONS:** The venting termination is subject to a wide variety of environmental conditions. Marco will supply parts only at no charge (F.O.B. factory), for a period of one year. Thereafter, venting terminations will be available at the then current list price.

**E. LIMITATIONS, EXCLUSIONS AND LIMITS OF LIABILITY**

1. This warranty applies only to the original owner and the original installation.

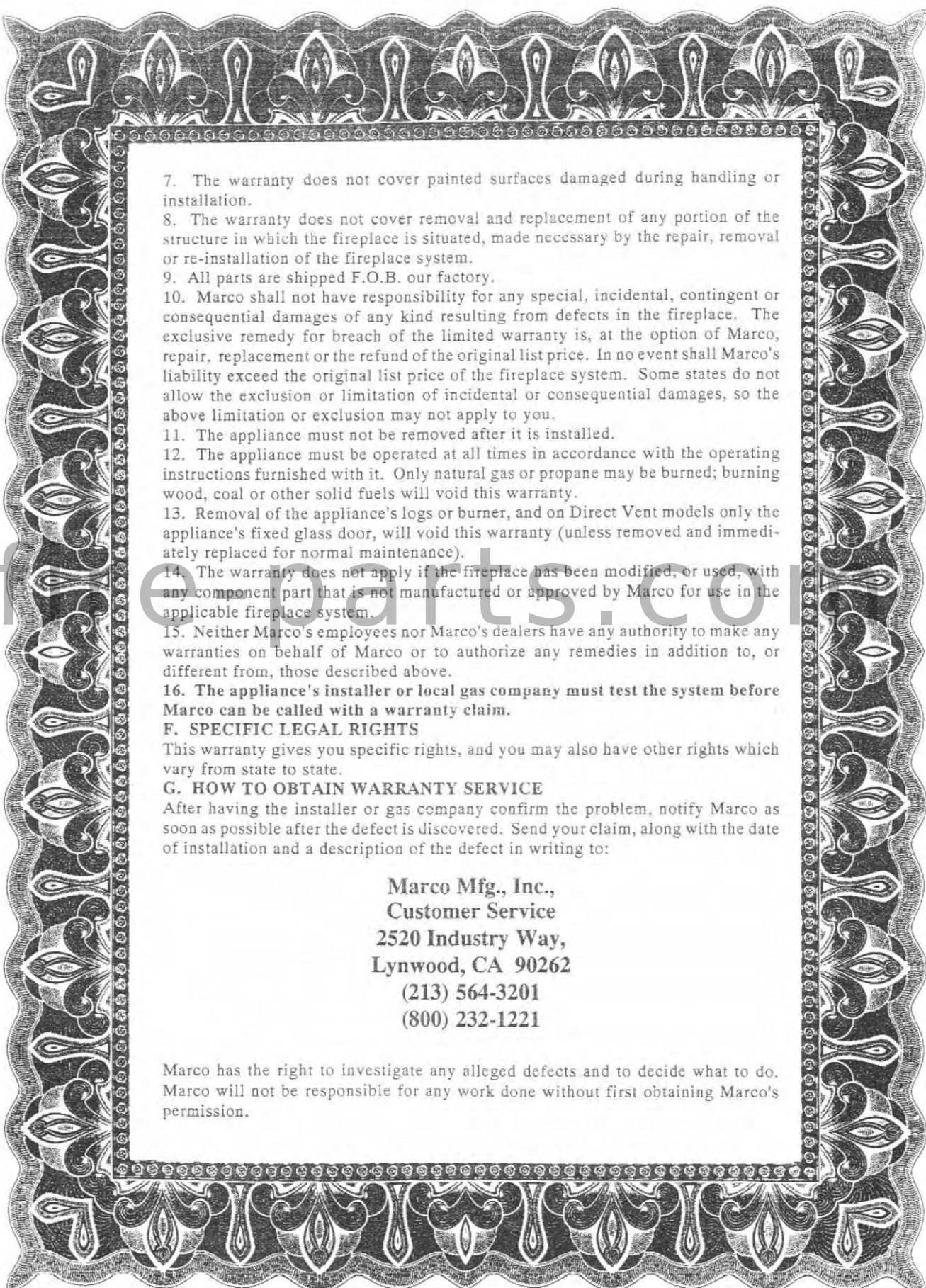
2. Warranty periods run from the original date of installation. If this date cannot be verified, the date of manufacture shall be used. Claims must be made in writing to Marco or a Marco dealer or distributor within the warranty periods.

3. The warranty does not cover heat loss due to the passage of heat or cold air through or around the fireplace, as this condition can be affected in a major way by the installation and insulation of enclosures.

4. The fireplace is not intended to be a substitute for a primary heating appliance to heat an entire home. It should be used for supplemental heating only. No claims are made by Marco as to the heat output of the fireplace system.

5. Marco makes no representation of warranty regarding local building code compliance and shall not be responsible for compliance therewith. As building codes vary widely, the installer should determine in advance if any special restrictions or requirements apply to the fireplace system.

6. The warranty is void if, in the opinion of Marco, the fireplace system has been improperly installed, abused, misused, tampered with, altered, or used with accessories not supplied or approved by Marco.

- 
7. The warranty does not cover painted surfaces damaged during handling or installation.
  8. The warranty does not cover removal and replacement of any portion of the structure in which the fireplace is situated, made necessary by the repair, removal or re-installation of the fireplace system.
  9. All parts are shipped F.O.B. our factory.
  10. Marco shall not have responsibility for any special, incidental, contingent or consequential damages of any kind resulting from defects in the fireplace. The exclusive remedy for breach of the limited warranty is, at the option of Marco, repair, replacement or the refund of the original list price. In no event shall Marco's liability exceed the original list price of the fireplace system. Some states do not allow the exclusion or limitation of incidental or consequential damages, so the above limitation or exclusion may not apply to you.
  11. The appliance must not be removed after it is installed.
  12. The appliance must be operated at all times in accordance with the operating instructions furnished with it. Only natural gas or propane may be burned; burning wood, coal or other solid fuels will void this warranty.
  13. Removal of the appliance's logs or burner, and on Direct Vent models only the appliance's fixed glass door, will void this warranty (unless removed and immediately replaced for normal maintenance).
  14. The warranty does not apply if the fireplace has been modified, or used, with any component part that is not manufactured or approved by Marco for use in the applicable fireplace system.
  15. Neither Marco's employees nor Marco's dealers have any authority to make any warranties on behalf of Marco or to authorize any remedies in addition to, or different from, those described above.
  16. **The appliance's installer or local gas company must test the system before Marco can be called with a warranty claim.**

**F. SPECIFIC LEGAL RIGHTS**

This warranty gives you specific rights, and you may also have other rights which vary from state to state.

**G. HOW TO OBTAIN WARRANTY SERVICE**

After having the installer or gas company confirm the problem, notify Marco as soon as possible after the defect is discovered. Send your claim, along with the date of installation and a description of the defect in writing to:

**Marco Mfg., Inc.,  
Customer Service  
2520 Industry Way,  
Lynwood, CA 90262  
(213) 564-3201  
(800) 232-1221**

Marco has the right to investigate any alleged defects and to decide what to do. Marco will not be responsible for any work done without first obtaining Marco's permission.

fire-parts.com



**MARCO MFG. INC.**

2520 Industry Way, Lynwood, CA 90262 (213) 564-3201 • (800) 232-1221

P/N 188530D 8/97