

LENNOX®

ENGINEERING DATA

HEARTH PRODUCTS

GFP1 GAS FIREPLACE DIRECT VENT

16,250/21,500 Btuh (4.8/6.3 kW) Heating Input

GFP1

Bulletin #210063
August 1997
Supersedes April 1996

Applications

- Minimum space required for installation.
- Airtight sealed combustion design.
- Uses 100% outdoor air for combustion.
- Ideal for new or retro-fit construction in houses, apartments or condominiums.
- Shallow depth reduces wasted floor space.
- Modular components allow for future upgrades.

Approvals

- A.G.A. and C.G.A. certified.
- Developed in accordance with ISO 9000 quality standard.
- Factory tested to insure dependable operation.
- Available for use with natural gas or LPG/Propane.

Warranty

- Firebox and enclosure – limited twenty year warranty.
- Gas Burner – limited five year warranty.
- All other components – limited two year warranty.
- Refer to Lennox Limited Warranty Certificate included with unit for additional details.

Firebox Construction

- Unique fiberglass-metal sandwich construction eliminates noise from expansion and contraction of firebox during operation.
- Firebox constructed of heavy gauge aluminized steel.
- Factory installed simulated refractory brick firebox.
- Galvanized steel outer shell is fully insulated for reduced heat loss.

Viewing Glass

- Large ceramic safety glass provides maximum heat transmission through glass.

Extruded Aluminum Heat Louvers

- Improved heat distribution.

Self-Generating Millivolt Controls

- Ensures dependable operation even during a power failure.

Piezo Spark Ignition System

- Standing pilot.
- No external power source required.
- Simple push button switch insures easy operation.

Manual Modulating Gas Valve

- 100% safety shutoff.
- Manually adjustable for desired fire appearance.
- Select between 75% to 100% heat level output.
- Shipped standard for right hand gas supply piping. Knockouts provided for bottom or left hand gas supply.

Baked-on Heat Resistant Paint Finish

- Satin black paint finish.

Choice of Fires (Must Be Ordered Separately)

- Shipped complete with valve train, burner and logs.

Fire Choices

- 1- SereneHeat® – Yellow red glowing campfire, aluminized steel tubular burner.
- 2- ShadowDance® – Yellow full dancing fire, aluminized steel tubular burner.
- 3- Cabaret™ – Yellow random flame with full log array, slotted pan burner.

Realistic Fire Logs

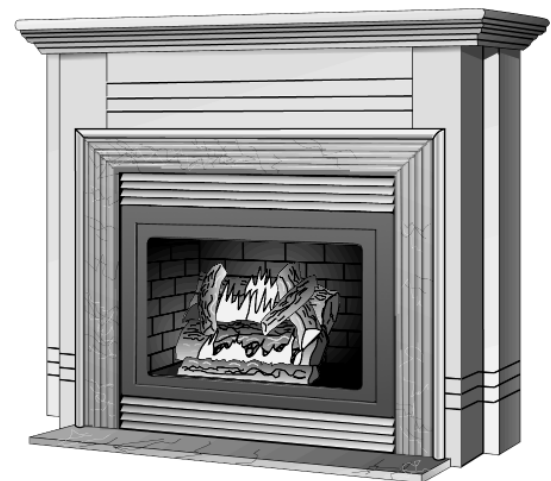
- Ceramic split fire logs.
- Partially consumed logs look like the real thing.
- Glowing logs add to realism.

Vertical or Horizontal Concentric Venting

- Flexible or rigid (horizontal) or rigid only (vertical) direct venting for simple installation. See Venting Components tables.

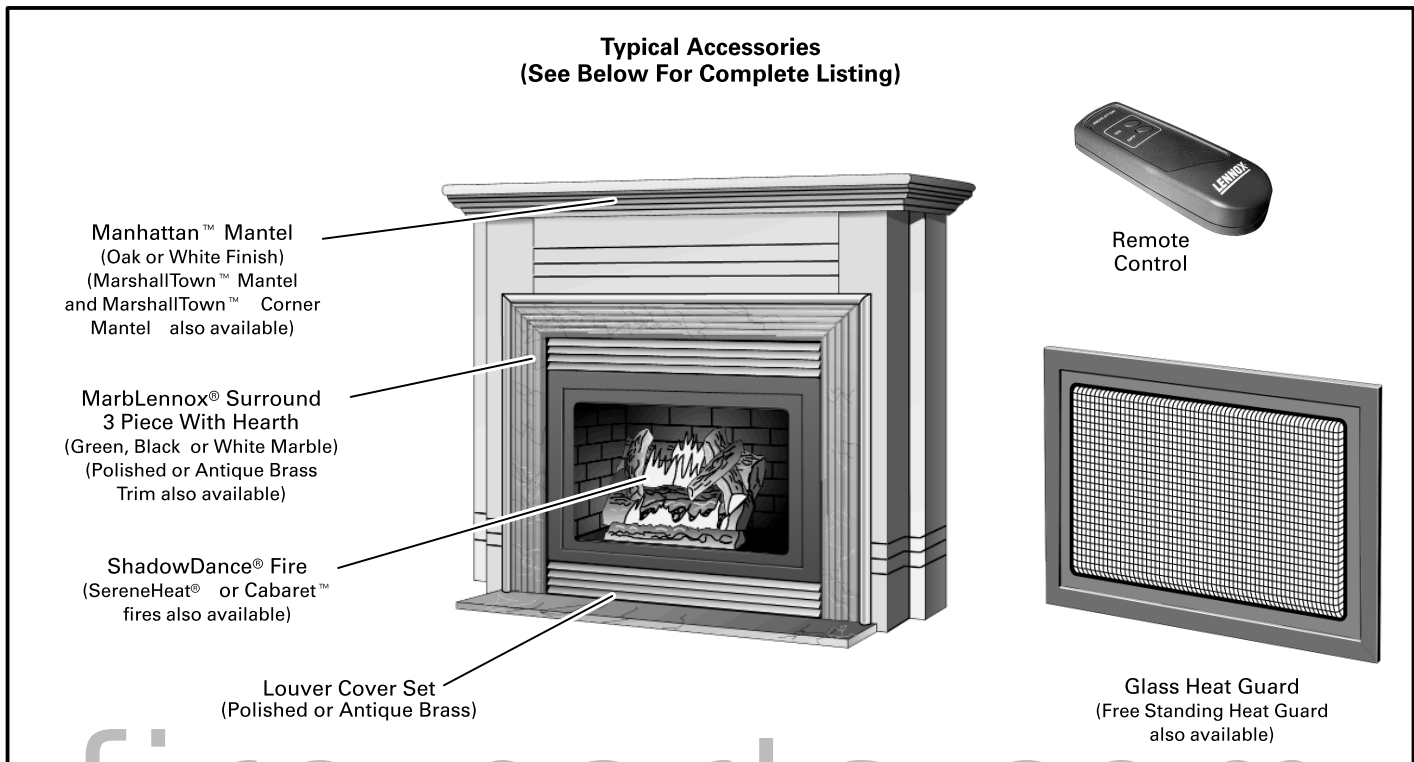


GFP1 with
SereneHeat® Fire,
Marshalltown™ Mantel,
Brass Trim and
Brass Louver Covers



GFP1 with
ShadowDance® Fire,
Manhattan™ Mantel,
MarbLennox®
Surround and
Brass Louver Covers

OPTIONAL ACCESSORIES (Must Be Ordered Extra)



Convection Air Blower (96J03)

- Blower with speed control for heating immediate area.

Millivolt Wall Thermostat (60P60 U.S.) (10N64 Canada)

- Electro-mechanical thermostat allows automatic operation.

Remote Control (26N04)

- For "arm chair" operation.
- Remote control uses (1) 12V "A23" battery (included).
- Includes receiver, requires (4) "AA" batteries (not included).

Louver Cover Sets

- Brass finish trim fits over louvers to upgrade appearance. Four pieces furnished per kit. Two kits required for both top and bottom louvers or order one kit and cover two louvers on the top and two louvers on the bottom.
- Polished brass (99J90)
- Antique brass (51K74)

MarbLennox® Three Piece Surround With Hearth

- 3-5/8 inch (92 mm) wide panels have a marble like appearance to border installed fireplace for a finished look.
- Green Marble (70K82)
- Black Marble (70K83)
- White Marble (70K84)

Brass Trim Sets

- 2-1/2 in. (64 mm) wide panels trim installed fireplace for a finished look.

Polished Brass

- 3 piece (13N61) or □4 piece (13N62) sets available.

Antique Brass

- 3 piece (57K99) or □4 piece (58K00) sets available.

- Four piece trim sets not used with mantel cabinets.

Mantel Cabinets

Manhattan™ Style

White Finish Mantel

(requires MarbLennox® Surround or 3 piece Brass Trim)

- Mantel Shelf (30K63)
- Cabinet Sides (30K62)

Oak Finish Mantel

(requires MarbLennox® Surround or 3 piece Brass Trim)

- Mantel Shelf (30K65)
- Cabinet Sides (30K64)

Marshalltown™ Style

White Finish Mantel (requires 3 piece Brass Trim)

- Mantel Shelf (30K67)
- Cabinet Sides (30K66)

Oak Finish Mantel (requires 3 piece Brass Trim)

- Mantel Shelf (30K69)
- Cabinet Sides (30K68)

Marshalltown™ Corner Style

(requires MarbLennox® Surround or 3 piece Brass Trim)

- White Finish Mantel (75K83)
- Oak Finish Mantel (75K82)

Glass Heat Guard (83K40)

- Prevents direct contact with viewing glass.
- Viewing glass assembly, including heat guard, replaces factory installed glass.

Free Standing Heat Guard (11K97)

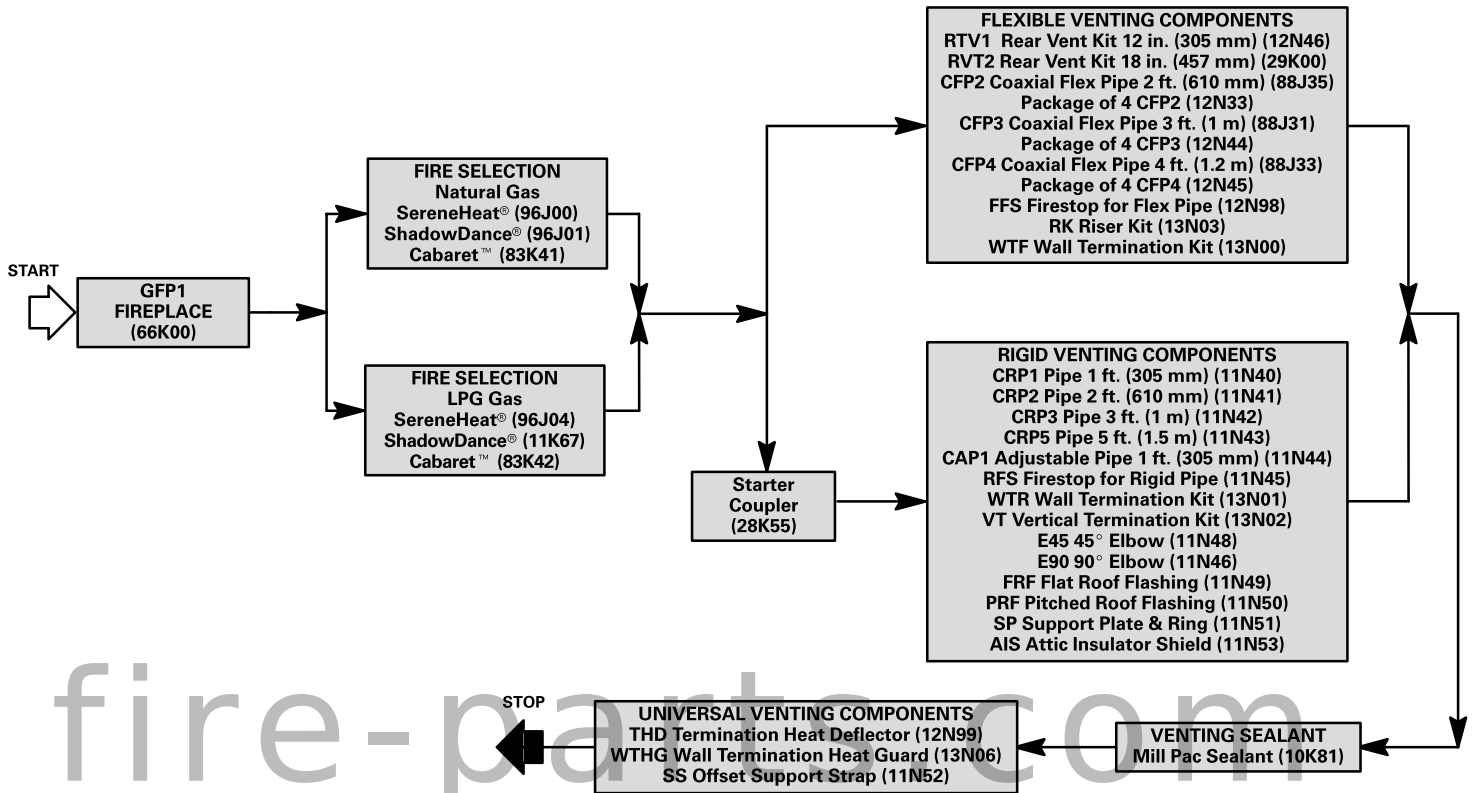
- Prevents direct contact with viewing glass.

Touch-up Spray Paint (13N30)

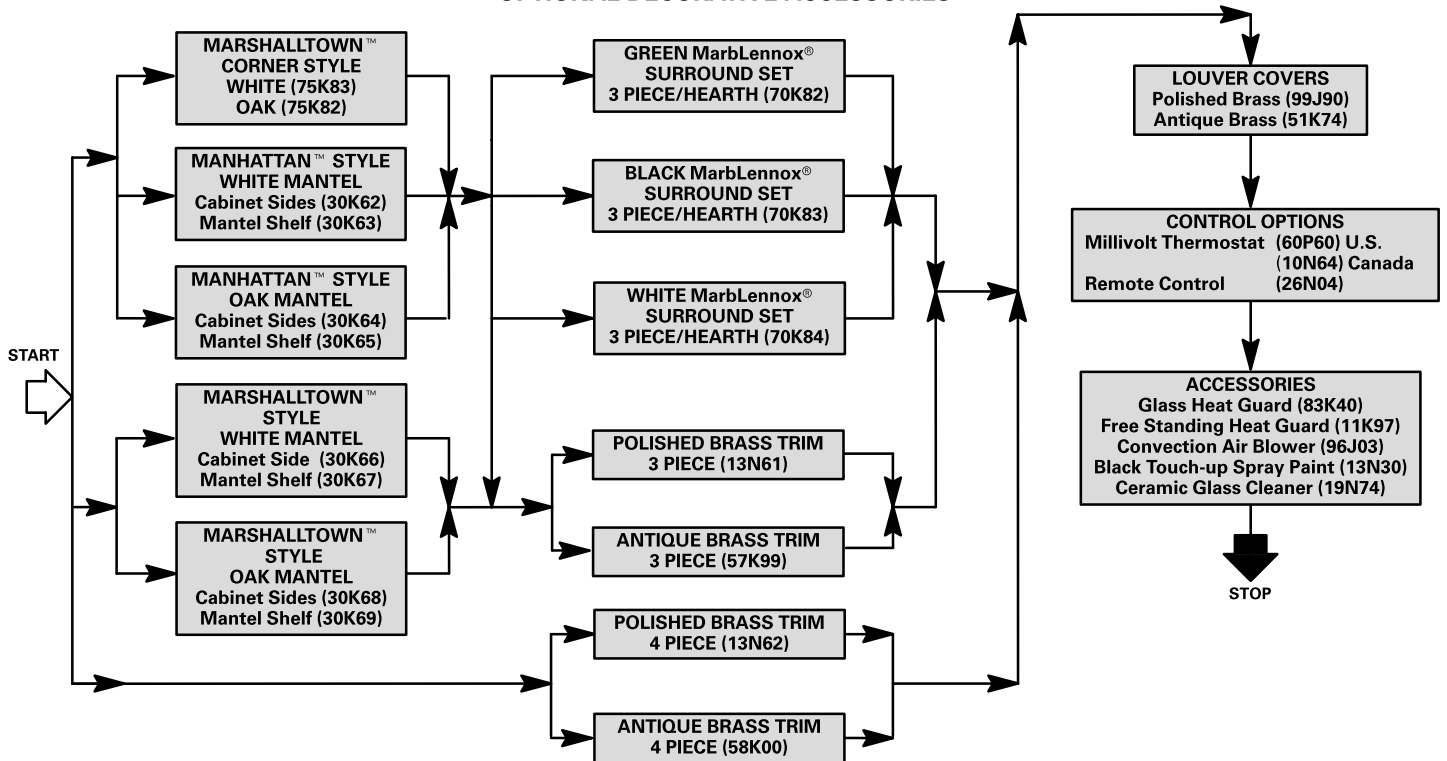
- Black heat resistant.

FIREPLACE COMPONENT SELECTION FLOWCHART

FIREPLACE AND VENTING COMPONENTS



OPTIONAL DECORATIVE ACCESSORIES



SPECIFICATIONS

Model No.		GFP1
Heating input – Btuh (kW) low/high		16,250/21,500 (4.8/6.3)
Heating output – Btuh (kW) low/high		11,635/15,400 (3.4/4.5)
Efficiency (steady state)		72.0%
Concentric Flue connection size (round) – in. (mm) (See dimension drawing)	Combustion air (outside)	7 (178)
	Flue (inside)	4 (102)
Gas Piping Size I.P.S. – in. (mm)		3/8 (9.5)
Glass viewing area – ft. ² (m ²)		3.09 (0.29)
Shipping weight lbs. (kg) 1 package each	GFP1 fireplace less fire	118 (54)
	SereneHeat® fire only	18 (8)
	ShadowDance® fire only	18 (8)
	Cabaret™ fire only	18 (8)

OPTIONAL ACCESSORIES (Must be Ordered Extra)

Description		Catalog No.
Millivolt Thermostats	U.S. (°F)	60P60
	Canada (°C)	10N64
Remote Control (includes receiver)		26N04
Convection Air Blower – 150 cfm (70 L/s)		96J03
Heat Guards	Glass Heat Guard (for viewing glass)	83K40
	Free Standing Heat Guard	11K97
Black Touch-up Spray Paint		13N30
Ceramic Glass Cleaner		19N74

OPTIONAL DECORATIVE ACCESSORIES (Must be Ordered Extra)

Mantel Cabinets	① Manhattan™ Style	White Mantel	Mantel Shelf	30K63
			Cabinet Sides	30K62
		Oak Mantel	Mantel Shelf	30K65
			Cabinet Sides	30K64
	② MarshallTown™ Style	White Mantel	Mantel Shelf	30K67
			Cabinet Sides	30K66
		Oak Mantel	Mantel Shelf	30K69
			Cabinet Sides	30K68
	③ MarshallTown™ Corner Style	Oak	75K82	
		White	75K83	
MarbLennox® Three Piece Surround With Hearth		Green Marble	70K82	
		Black Marble	70K83	
		White Marble	70K84	
Brass Trim Sets	Polished Brass	3 piece	13N61	
		4 piece	13N62	
	Antique Brass	3 piece	57K99	
		4 piece	58K00	
③ Louver Cover Sets	Polished Brass	99J90		
	Antique Brass	51K74		

① Requires MarbLennox® Surround or 3 piece Brass Trim for finished installation.

② Requires 3 Piece Brass Trim for finished installation.

③ Two sets per fireplace required for both top and bottom louvers.

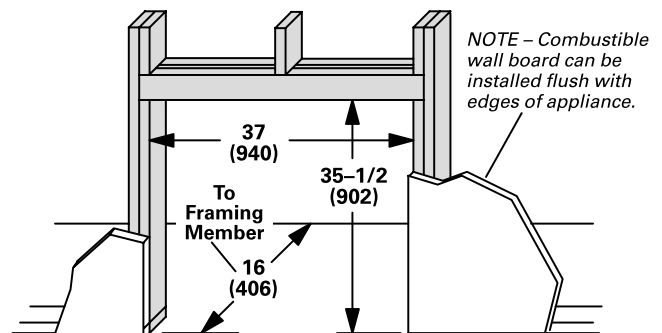
INSTALLATION CLEARANCES – inches (mm)

Sides	0 in. (0 mm)
Top	0 in. (0 mm)
Back	0 in. (0 mm)
Floor	combustible
Vent	1 inch (25 mm)
Front (service)	36 inches (914 mm)

NOTE—Air for combustion must conform to the methods outlined in American National Standard (ANSI-Z223.1) National Fuel Gas Code or National Standard of Canada CAN/CGA-149.1 and CAN/CGA-149.2 “Installation Code for Gas Burning Appliances”.

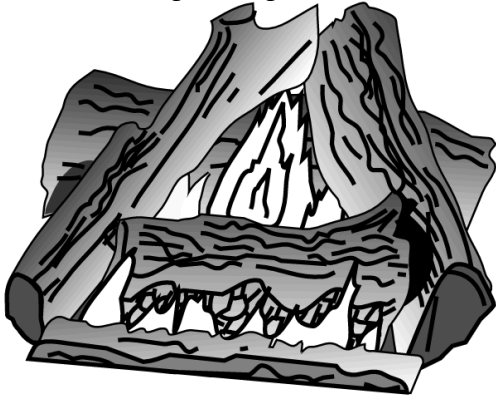
NOTE—In the U.S. flue sizing must conform to the methods outlined in current GAMA/A.G.A. venting tables, American National Standard (ANSI-Z223.1) National Fuel Gas Code or applicable provisions of local building codes. In Canada flue sizing must conform to the methods outlined in National Standard of Canada CAN/CGA-149.1 and CAN/CGA-149.2.

FRAMING REQUIREMENTS – inches (mm)

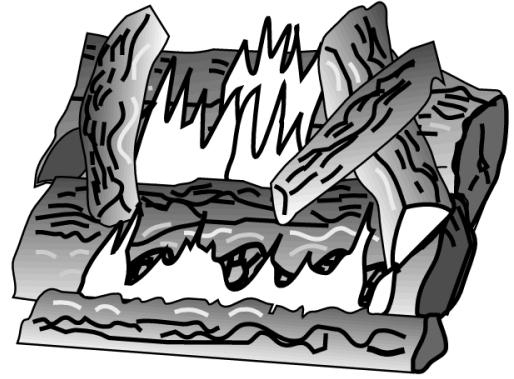


OPTIONAL FIRE ARRANGEMENTS

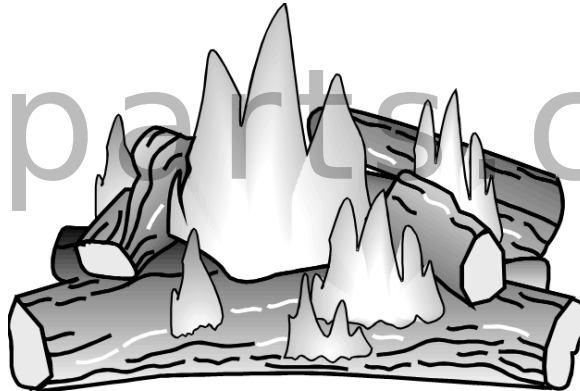
**"SereneHeat®"
Log Arrangement**



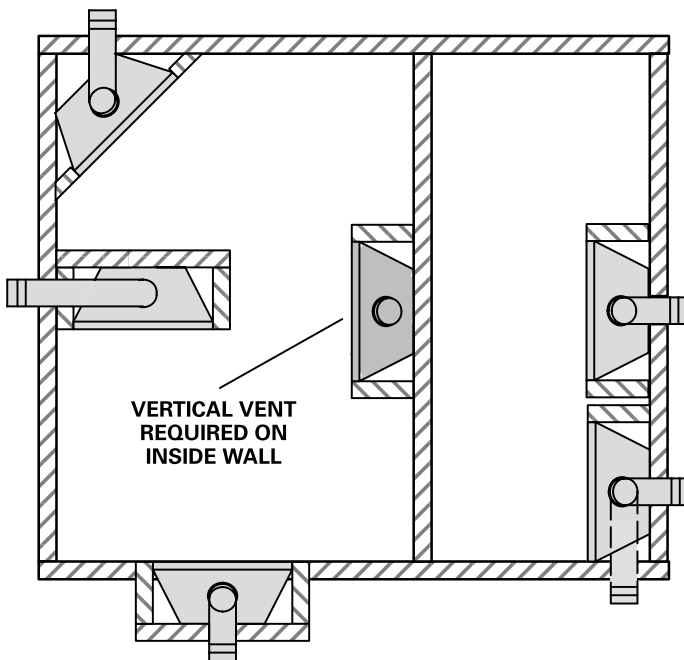
**"ShadowDance®"
Log Arrangement**



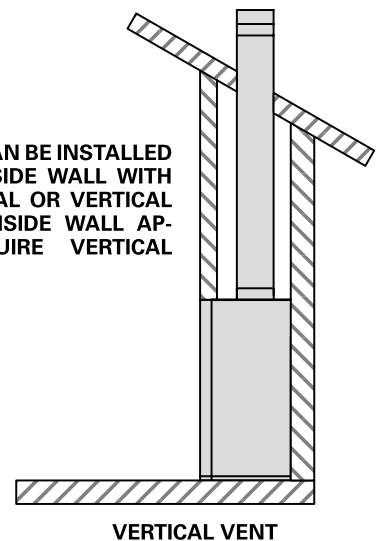
**"Cabaret™"
Log Arrangement**



APPLICATIONS

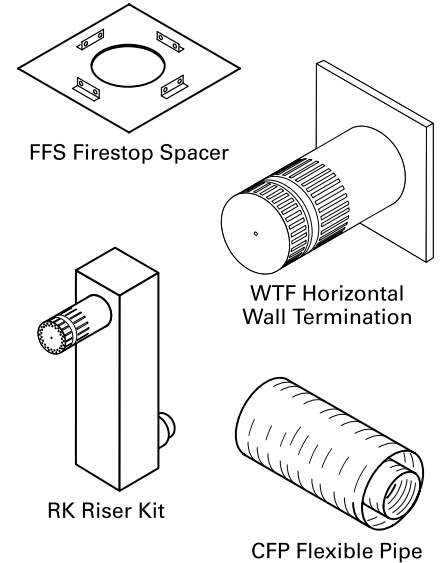


GFP1 FIREPLACE CAN BE INSTALLED ALONG ANY OUTSIDE WALL WITH EITHER HORIZONTAL OR VERTICAL TERMINATIONS. INSIDE WALL APPLICATIONS REQUIRE VERTICAL VENTING.



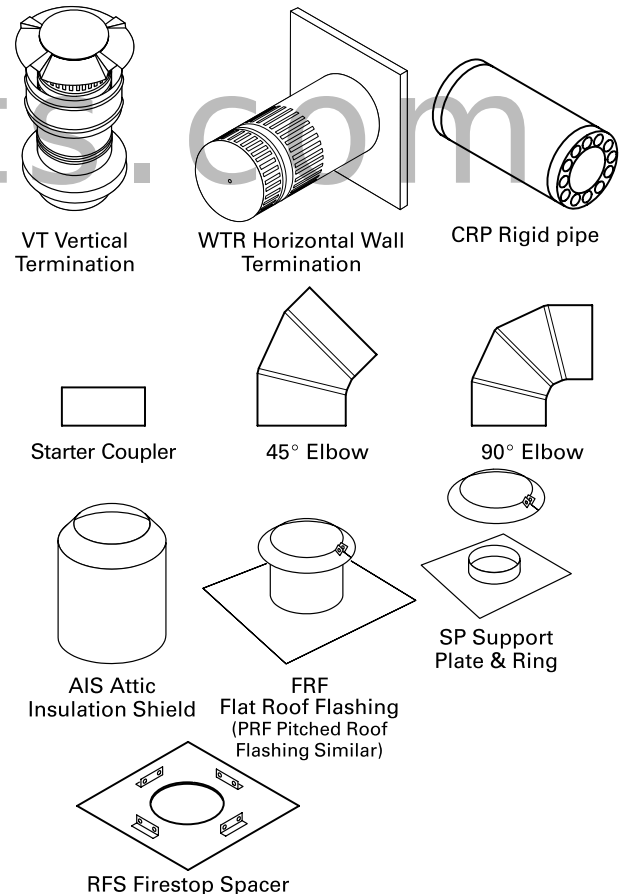
REQUIRED FLEXIBLE VENTING COMPONENTS (Must be Ordered Extra)

Description	Catalog No.
RVT1 Rear Vent Kit (includes WTF Horizontal Wall Termination, 12 in. (305 mm) Compressed Flex, Gear Clamps & Firestop Spacer)	12N46
RVT2 Rear Vent Kit (includes WTF Horizontal Wall Termination, 18 in. (457 mm) Compressed Flex, Gear Clamps & Firestop Spacer)	29K00
CFP2 Compressed 2 ft. (610 mm) Coaxial Flex (includes 4 Gear Clamps) 1 set	88J35
Same as Above but 4 sets	12N33
CFP3 Compressed 3 ft. (1 m) Coaxial Flex (includes 4 Gear Clamps) 1 set	88J31
Same as Above but 4 sets	12N44
CFP4 Compressed 4 ft. (1.2 m) Coaxial Flex (includes 4 Gear Clamps) 1 set	88J33
Same as Above but 4 sets	12N45
FFS Firestop Spacer for Flex Pipe	12N98
RK Riser Kit	13N03
WTF Wall Termination Kit for Flex Pipe	13N00



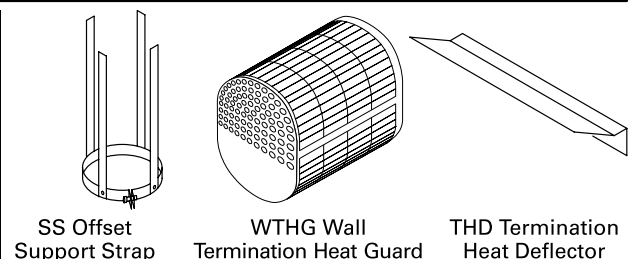
REQUIRED RIGID VENTING COMPONENTS (Must be Ordered Extra)

Description	Catalog No.
CRP1 Coaxial Unitized Pipe 1 ft. (305 mm)	11N40
CRP2 Coaxial Unitized Pipe 2 ft. (610 mm)	11N41
CRP3 Coaxial Unitized Pipe 3 ft. (1 m)	11N42
CRP5 Coaxial Unitized Pipe 5 ft. (1.5 m)	11N43
CAP1 Coaxial Adjustable Pipe 1 ft. (305 mm)	11N44
RFS Firestop Spacer for Rigid Pipe	11N45
WTR Horizontal Wall Termination for Rigid Pipe	13N01
VT Vertical Termination for Rigid Pipe	13N02
Starter Coupler	28K55
E45 45° Elbow	11N48
E90 90° Elbow	11N46
FRF Flat Roof Flashing (includes Storm Collar)	11N49
PRF Pitched Roof Flashing 1/12 – 7/12 (includes Storm Collar)	11N50
SP Intermediate Support Plate and Ring	11N51
AIS Attic Insulator Shield	11N53

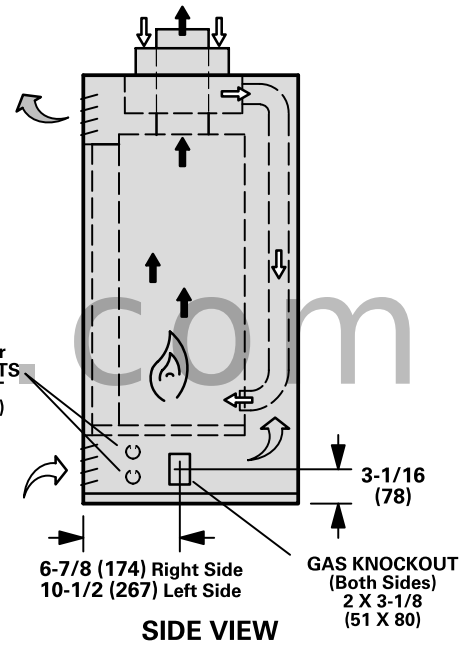
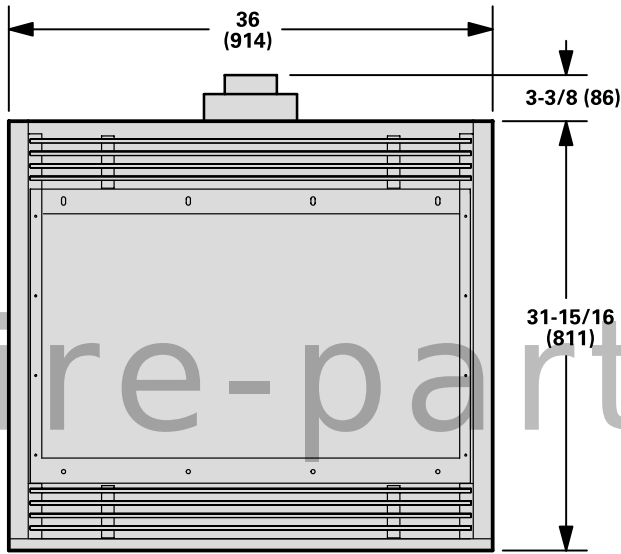
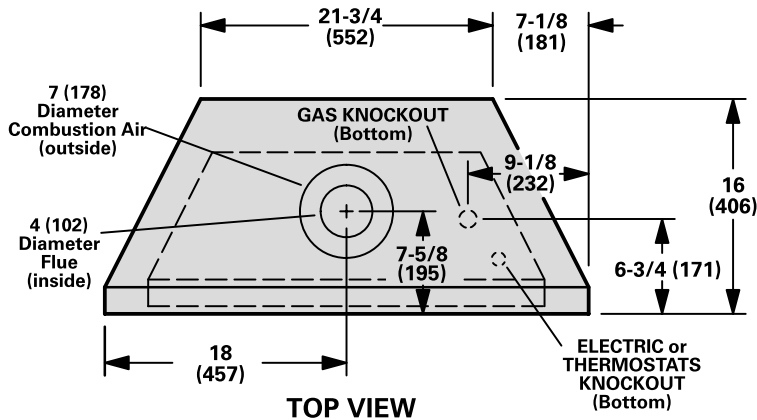


UNIVERSAL COMPONENTS FOR FLEXIBLE OR RIGID VENTING (Must be Ordered Extra)

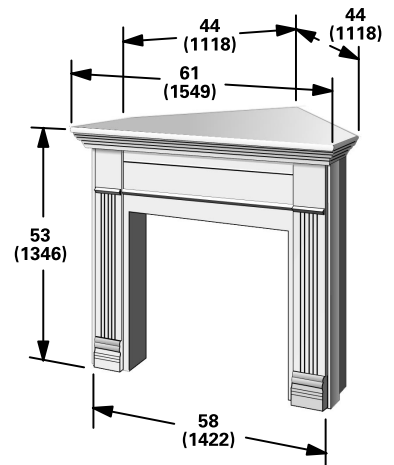
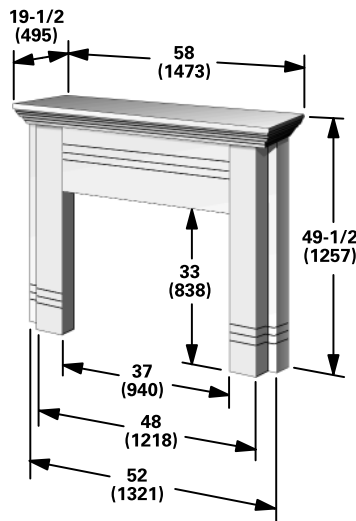
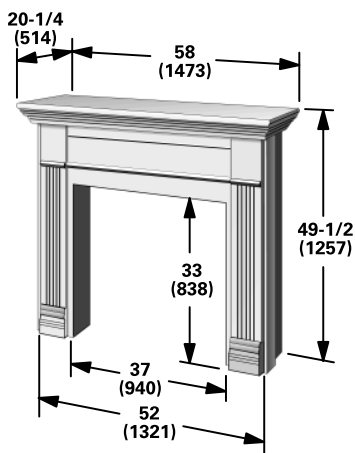
Description	Catalog No.
THD Termination Heat Deflector	12N99
WTHG Wall Termination Heat Guard	13N06
SS Offset Support Strap	11N52
Mill Pac Sealant	10K81



GFP1 DIMENSIONS – inches (mm)



MANTEL DIMENSIONS – inches (mm)



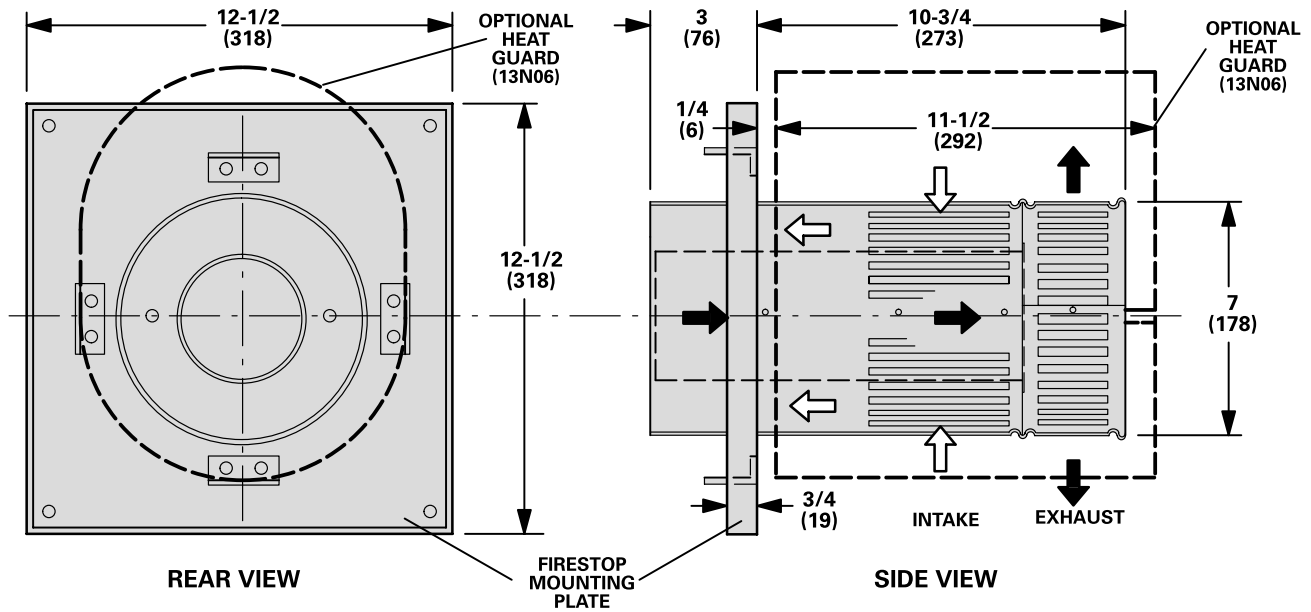
MARSHALLTOWN™

MANHATTAN™

MARSHALLTOWN™ Corner Style

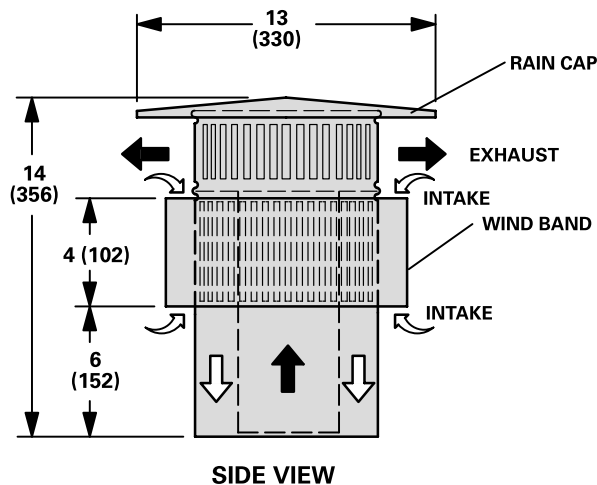
**RVT CONCENTRIC HORIZONTAL TERMINATION KIT
FOR FLEXIBLE VENTING**

(Includes Termination, Compressed Flex, Gear Clamps and Firestop Spacer.)



NOTE — See Specifications Table For Flue Dimensions.

**VT CONCENTRIC VERTICAL TERMINATION
FOR RIGID PIPE**



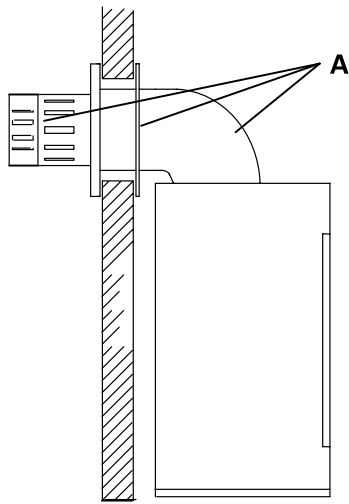
NOTE — See Specifications Table For Flue Dimensions.

HIGH ALTITUDE DERATE

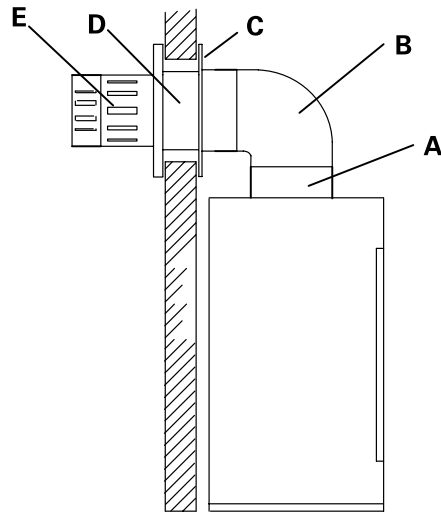
A.G.A. and C.G.A. units are certified for installation at elevations from 0 to 4500 feet (0 to 1372 m) at full input (no derate required).

HORIZONTAL THRU THE WALL VENTING APPLICATIONS

FLEXIBLE VENT SYSTEM



RIGID VENT SYSTEM

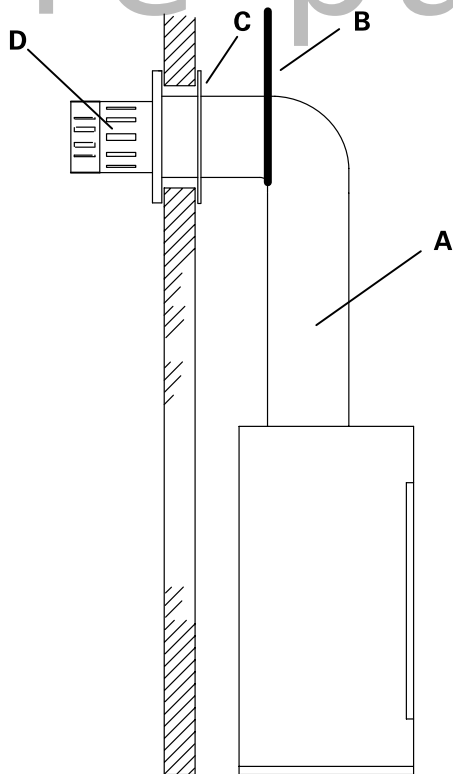


- A – Wall Termination Kit (12N46) 12 in. (expands to 24 in.) or (29K00) 18 in. (expands to 36 in.) for corner installations
Includes: Horizontal Wall Termination, Compressed Flex Firestop Spacer, Gear Clamps
Also available but not required:
–WTHG Wall Termination Guard (13N06)
–THD Termination Heat Deflector (12N99)

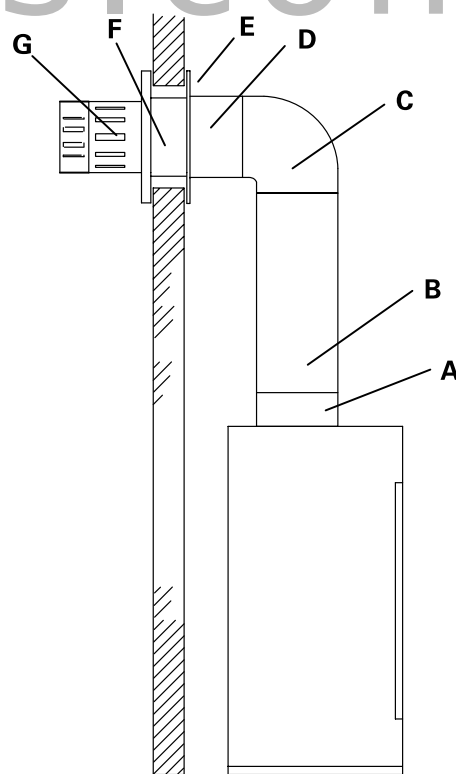
- A – Coupler Starter (28K55)
B – 90° Elbow (11N46)
C – RFS Firestop Spacer (11N45)
D – CAP1 Coaxial Adjustable Pipe (11N44)
E – WTR Horizontal Wall Termination (13N01)
Also available but not required:
–WTHG Wall Termination Guard (13N06)
–THD Termination Heat Deflector (12N99)

TYPICAL BASEMENT APPLICATIONS

FLEXIBLE VENT SYSTEM



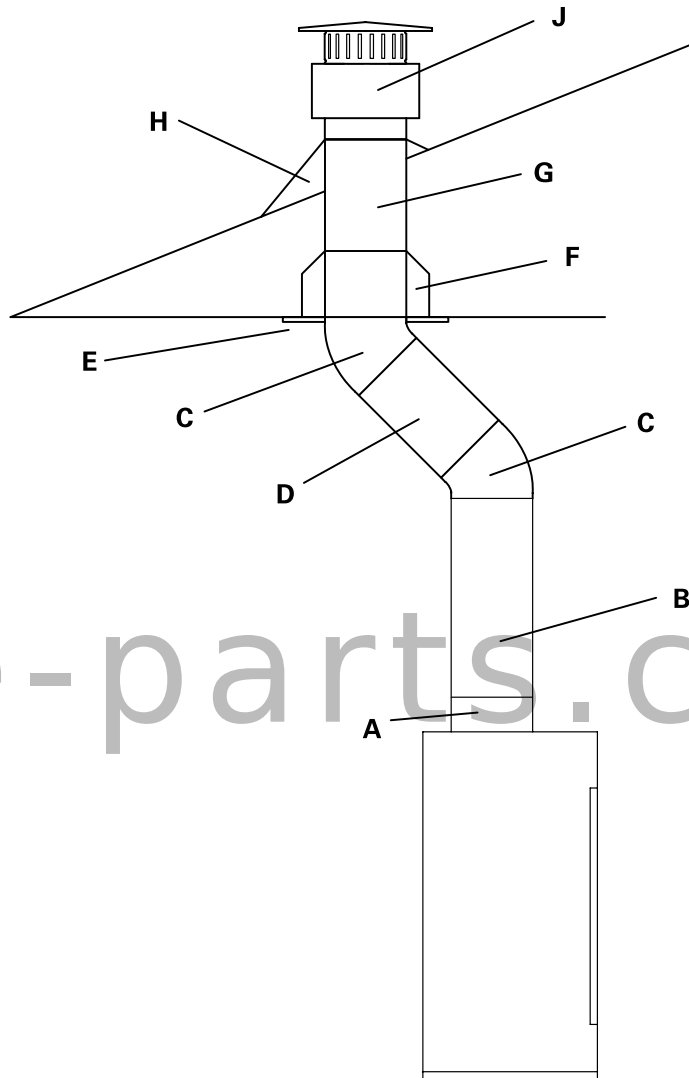
RIGID VENT SYSTEM



- A – CFP3 3 ft. Compressed Flex (88J31)
B – SS Offset Support Strap (11N52)
C – FFS Firestop Spacer (12N98)
*D – WTF Wall termination Kit (13N00)
*NOTE – RK Riser Kit (13N03) may be required in place of WTF Wall Termination Kit to clear snow lines
Also available but not required:
–WTHG Wall Termination Guard (13N06)
–THD Termination Heat Deflector (12N99)

- A – Coupler Starter (28K55)
B – CRP5 5 ft. Coaxial Unitized Pipe (11N43)
C – 90° Elbow (11N46)
D – CRP1 1 ft. Coaxial Unitized Pipe (11N40)
E – RFS Firestop Spacer (11N45)
F – CAP1 Coaxial Adjustable Pipe (11N44)
G – WTR Horizontal Wall Termination (13N01)
*NOTE – RK Riser Kit (13N03) may be required in place of WTF Wall Termination Kit to clear snow lines
Also available but not required:
–WTHG Wall Termination Guard (13N06)
–THD Termination Heat Deflector (12N99)

VERTICAL VENTING APPLICATIONS (RIGID VENT SYSTEM ONLY)



fire-parts.com

- A – Coupler Starter (28K55)
- B – CRP5 5 ft. Coaxial Unitized Pipe (11N43)
- C – 45° Elbow (11N48)
- D – CRP1 1 ft. Coaxial Unitized Pipe (11N40)
- E – RFS Firestop Spacer (11N45)
- F – AIS Attic Insulation Shield (11N53)
- G – CRP5 5 ft. Coaxial Unitized Pipe (11N43)
- H – PRF Pitched Roof Flashing (11N50)
- J – VT Vertical Termination (13N02)

NOTE – A maximum of two 45° elbows may be used for deviation in a vertical application. Maximum length is 35 ft.