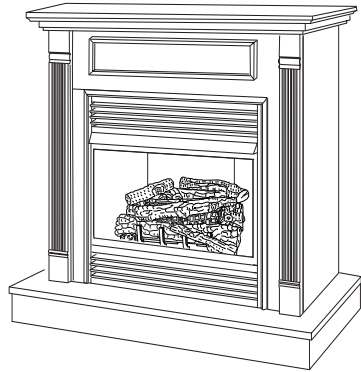




**UNVENTED (VENT-FREE) GAS FIREPLACE  
OWNER'S OPERATION AND INSTALLATION MANUAL**



We recommend that our gas hearth products be installed and serviced by professionals who are certified in the U.S. by the National Fireplace Institute® (NFI) as NFI Gas Specialists.

Shown with optional cabinet mantel with hearth base and trim accessories.

**SVFS32NRK, SVFS32PRK, SVFS36NRK, SVFS36PRK,  
REMOTE-READY FIREPLACE SYSTEM**

**NOTE:** this product ships in two boxes. Box 1 includes the fireplace. Box 2 includes the logs.

**⚠ WARNING:** If the information in this manual is not followed exactly, a fire or explosion may result causing property damage, personal injury, or loss of life.

- Do not store or use gasoline or other flammable vapors and liquids in the vicinity of this or any other appliance.
- **WHAT TO DO IF YOU SMELL GAS**
  - Do not try to light any appliance.
  - Do not touch any electrical switch; do not use any phone in your building.
  - Immediately call your gas supplier from a neighbor's phone. Follow the gas supplier's instructions.
  - If you cannot reach your gas supplier, call the fire department.
- Installation and service must be performed by a qualified installer, service agency, or the gas supplier.

**INSTALLER:** Leave this manual with the appliance.  
**CONSUMER:** Retain this manual for future reference.

For more information, visit [www.lennoxhearthproducts.com](http://www.lennoxhearthproducts.com)

## TABLE OF CONTENTS

Safety .....	2	Cleaning and Maintenance.....	24
Product Identification.....	4	Troubleshooting.....	25
Local Codes.....	5	Wiring Diagram.....	29
Unpacking.....	5	Specifications .....	29
Product Features .....	5	Replacement Parts.....	29
Air For Combustion and Ventilation.....	6	Service Hints .....	29
Installation .....	8	Technical Service.....	29
Operation.....	21	Parts .....	30
Inspecting Burners.....	23	Accessories .....	35

## SAFETY

**⚠ WARNING:** Improper installation, adjustment, alteration, service, or maintenance can cause injury or property damage. Refer to this manual for correct installation and operational procedures. For assistance or additional information consult a qualified installer, service agency, or the gas supplier.

This appliance may be installed in an aftermarket,\* permanently located, manufactured (mobile) home, where not prohibited by local codes.

This appliance is only for use with the type of gas indicated on the rating plate. This appliance is not convertible for use with other gases.

**⚠ WARNING:** This is an unvented gas-fired heater. It uses air (oxygen) from the room in which it is installed. Provisions for adequate combustion and ventilation air must be provided. Refer to *Air for Combustion and Ventilation* section on page 6 of this manual.

\* Aftermarket: Completion of sale, not for purpose of resale, from the manufacturer

**⚠ WARNING:** This product contains and/or generates chemicals known to the State of California to cause cancer or birth defects, or other reproductive harm.

**IMPORTANT:** Read this owner's manual carefully and completely before trying to assemble, operate, or service this heater. Improper use of this heater can cause serious injury or death from burns, fire, explosion, electrical shock, and carbon monoxide poisoning.

## SAFETY

*Continued*

**⚠ DANGER: Carbon monoxide poisoning may lead to death!**

**Carbon Monoxide Poisoning:** Early signs of carbon monoxide poisoning resemble the flu, with headaches, dizziness, or nausea. If you have these signs, the heater may not be working properly. **Get fresh air at once!** Have heater serviced. Some people are more affected by carbon monoxide than others. These include pregnant women, people with heart or lung disease or anemia, those under the influence of alcohol, and those at high altitudes.

**Natural and Propane/LP Gas:** Natural and propane/LP gases are odorless. An odor-making agent is added to the gas. The odor helps you detect a gas leak. However, the odor added to the gas can fade. Gas may be present even though no odor exists.

Make certain you read and understand all warnings. Keep this manual for reference. It is your guide to safe and proper operation of this heater.

**⚠ WARNING: Any change to this heater or its controls can be dangerous.**

**⚠ WARNING: Do not use a blower insert, heat exchanger insert, or other accessory not approved for use with this heater.**

**⚠ WARNING: Do not allow fans to blow directly into the fireplace. Avoid any drafts that alter burner flame patterns. Ceiling fans can create drafts that alter burner flame patterns. Altered burner patterns can cause sooting.**

**Due to high temperatures, the appliance should be located out of traffic and away from furniture and draperies.**

**Do not place clothing or other flammable material on or near the appliance. Never place any objects on the heater.**

**Fireplace front and screen become very hot when running fireplace. Keep children and adults away from hot surfaces to avoid burns or clothing ignition. Fireplace will remain hot for a time after shutdown. Allow surfaces to cool before touching.**

**Carefully supervise young children when they are in the room with fireplace. When using the optional hand-held remote accessory, keep selector switch in the OFF position to prevent children from turning on burners with remote.**

**You must operate this fireplace with the fireplace screen and hood in place. Make sure fireplace screen and hood are in place before running heater.**

**Keep the appliance area clear and free from combustible materials, gasoline, and other flammable vapors and liquids.**

1. This appliance is only for use with the type of gas indicated on the rating plate. This appliance is not convertible for use with other gases.
2. Do not place propane/LP supply tank(s) inside any structure. Locate propane/LP supply tank(s) outdoors (propane/LP units only).

# SAFETY

## Continued

- If you smell gas
  - shut off gas supply
  - do not try to light any appliance
  - do not touch any electrical switch; do not use any phone in your building
  - immediately call your gas supplier from a neighbor's phone. Follow the gas supplier's instructions
  - if you cannot reach your gas supplier, call the fire department
- This fireplace shall not be installed in a bedroom or bathroom.
- Do not use this fireplace as a wood-burning fireplace. Use only the logs provided with the fireplace.
- Do not add extra logs or ornaments such as pine cones, vermiculite, or rock wool. Using these added items can cause soot-ing. Do not add lava rock around base. Rock and debris could fall into the control area of fireplace.
- To prevent the creation of soot, follow the instructions in *Cleaning and Maintenance*, page 24.
- Before using furniture polish, wax, carpet cleaner, or similar products, turn heater off. If heated, the vapors from these products may create a white powder residue within burner box or on adjacent walls or furniture.
- This fireplace needs fresh air ventilation to run properly. This fireplace has an Oxygen Depletion Sensing (ODS) safety shutoff system. The ODS shuts down the fireplace if enough fresh air is not available. See *Air for Combustion and Ventilation*, page 6. If fireplace keeps shutting off, see *Troubleshooting*, page 25.
- Do not run fireplace
  - where flammable liquids or vapors are used or stored
  - under dusty conditions
- Do not use this fireplace to cook food or burn paper or other objects.
- Do not use fireplace if any part has been exposed to or under water. Immediately call a qualified service technician to inspect the fireplace and to replace any part of the control system and any gas control which has been under water.
- Do not operate fireplace if any log is broken. Do not operate fireplace if a log is chipped (dime-sized or larger).
- Turn fireplace off and let cool before servicing. Only a qualified service person should service and repair fireplace.
- Operating fireplace above elevations of 4,500 feet could cause pilot outage.
- To prevent performance problems in propane/LP units, do not use propane/LP fuel tanks of less than 100 lbs. capacity (propane/LP units only).
- Provide adequate clearances around air openings.

## PRODUCT IDENTIFICATION

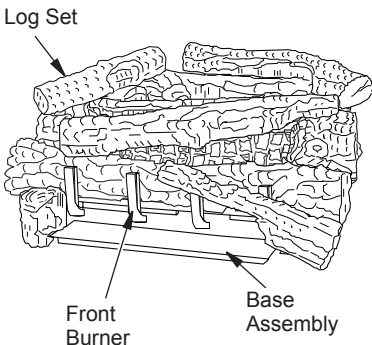


Figure 1 - Log Base Assembly

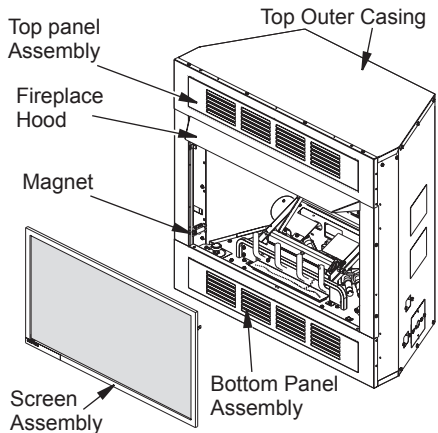


Figure 2 - Fireplace

## LOCAL CODES

Install and use fireplace with care. Follow all local codes. In the absence of local codes, use the latest edition of *The National Fuel Gas Code ANSI Z223.1/NFPA 54\**.

\*Available from:

American National Standards Institute, Inc.  
1430 Broadway  
New York, NY 10018

National Fire Protection Association, Inc.  
Batterymarch Park  
Quincy, MA 02269


*Note: Where listed vented decorative logs are required, thermostat operation is not permitted.*

**State of Massachusetts:** The installation must be made by a licensed plumber or gas fitter in the Commonwealth of Massachusetts.

Sellers of unvented propane or natural gas-fired supplemental room heaters shall provide to each purchaser a copy of 527 CMR 30 upon sale of the unit.

Vent-free gas products are prohibited for bedroom and bathroom installation in the Commonwealth of Massachusetts.

## UNPACKING

 **CAUTION: Do not remove the data plates attached to the heater base assembly. The data plates contain important warranty and safety information.**

1. With utility knife, cut the carton all the way around above the staples on the bottom tray. Lift the carton off the heater. Remove packing.

*Note: The hood and two smooth panels are located in the packing on the right hand side of the heater front. Lift the heater off the bottom tray.*

2. Locate two screws above top corners of the fireplace screen. Remove and discard these screws. Push the bottom corners of the screen in and release. The screen will pop out at the bottom. Grasp the bottom of the screen, lift the screen up and pull out to remove.
3. Remove protective packaging applied to logs, log base assembly, and fireplace.
4. Remove fireplace hood and two smooth panels from carton inserts.
5. Check all items for any shipping damage. If damaged, promptly inform dealer where you bought fireplace.

## PRODUCT FEATURES

### OPERATION

This vent-free fireplace is clean burning. It requires no outside venting. There is no heat loss out a vent or up a chimney. Heat is generated by both realistic flames and glowing embers. When used without the blower, the fireplace requires no electricity making it ideal for emergency backup heat.

### SAFETY DEVICE

This fireplace has a pilot with an Oxygen Depletion Sensing (ODS) safety shutoff system. The ODS/pilot is a required feature for vent-free room heaters. The ODS/pilot system shuts off the fireplace if there is not enough fresh air.

### PIEZO IGNITION SYSTEM

This fireplace has a piezo ignitor. This system requires no matches, batteries, or other sources to light fireplace.

### OPTIONAL REMOTE CONTROL ACCESSORY

There are four optional remote controls (not included) that can be purchased separately for this log heater:

- wall switch
- wall thermostat
- hand-held ON/OFF remote
- hand-held thermostat remote

See [Accessories](#), page 35.

### BLOWER ASSEMBLY ACCESSORY

This fireplace includes a blower assembly. The blower operates thermostatically and features a variable speed control. The blower circulates heated air from the fireplace into the room.

# AIR FOR COMBUSTION AND VENTILATION

**⚠ WARNING:** This heater shall not be installed in a room or space unless the required volume of indoor combustion air is provided by the method described in the *National Fuel Gas Code, ANSI Z223.1/NFPA 54, the International Fuel Gas Code, or applicable local codes. Read the following instructions to insure proper fresh air for this and other fuel-burning appliances in your home.*

Today's homes are built more energy efficient than ever. New materials, increased insulation, and new construction methods help reduce heat loss in homes. Home owners weather strip and caulk around windows and doors to keep the cold air out and the warm air in. During heating months, home owners want their homes as airtight as possible.

While it is good to make your home energy efficient, your home needs to breathe. Fresh air must enter your home. All fuel-burning appliances need fresh air for proper combustion and ventilation.

Exhaust fans, fireplaces, clothes dryers, and fuel burning appliances draw air from the house to operate. You must provide adequate fresh air for these appliances. This will insure proper venting of vented fuel-burning appliances.

## PROVIDING ADEQUATE VENTILATION

The following are excerpts from *National Fuel Gas Code, ANSI Z223.1/NFPA 54, Air for Combustion and Ventilation*.

All spaces in homes fall into one of the three following ventilation classifications:

1. Unusually Tight Construction
2. Unconfined Space
3. Confined Space

The information on pages 6 through 8 will help you classify your space and provide adequate ventilation.

### Unusually Tight Construction

The air that leaks around doors and windows may provide enough fresh air for combustion and ventilation. However, in buildings of unusually tight construction, you must provide additional fresh air.

Unusually tight construction is defined as construction where:

- a. walls and ceilings exposed to the outside atmosphere have a continuous water vapor retarder with a rating of one perm ( $6 \times 10^{-11}$  kg per pa-sec- $m^2$ ) or less with openings gasketed or sealed and
- b. weather stripping has been added on openable windows and doors and
- c. caulking or sealants are applied to areas such as joints around window and door frames, between sole plates and floors, between wall-ceiling joints, between wall panels, at penetrations for plumbing, electrical, and gas lines, and at other openings.

If your home meets all of the three criteria above, you must provide additional fresh air. See *Ventilation Air From Outdoors*, page 8.

If your home does not meet all of the three criteria above, proceed to *Determining Fresh-Air Flow For Heater Location*.

### Confined and Unconfined Space

The *National Fuel Gas Code, ANSI Z223.1/NFPA 54* defines a confined space as a space whose volume is less than 50 cubic feet per 1,000 Btu per hour (4.8  $m^3$  per kw) of the aggregate input rating of all appliances installed in that space and an unconfined space as a space whose volume is not less than 50 cubic feet per 1,000 Btu per hour (4.8  $m^3$  per kw) of the aggregate input rating of all appliances installed in that space. Rooms communicating directly with the space in which the appliances are installed\*, through openings not furnished with doors, are considered a part of the unconfined space.

\* Adjoining rooms are communicating only if there are doorless passageways or ventilation grills between them.

## DETERMINING FRESH-AIR FLOW FOR FIREPLACE LOCATION

### Determining if You Have a Confined or Unconfined Space

Use this work sheet to determine if you have a confined or unconfined space.

**Space:** Includes the room in which you will install fireplace plus any adjoining rooms with doorless passageways or ventilation grills between the rooms.

1. Determine the volume of the space (length x width x height).  
Length x Width x Height = \_\_\_\_\_ cu. ft.  
(volume of space)

# AIR FOR COMBUSTION AND VENTILATION

Continued

*Example:* Space size 20 ft. (length) x 16 ft. (width) x 8 ft. (ceiling height) = 2,560 cu. ft. (volume of space)

If additional ventilation to adjoining room is supplied with grills or openings, add the volume of these rooms to the total volume of the space.

- Multiply the space volume by 20 to determine the maximum Btu/Hr the space can support.

\_\_\_\_\_ (volume of space) x 20 = (Maximum Btu/Hr the space can support)

*Example:* 2,560 cu. ft. (volume of space) x 20 = 51,200 (maximum Btu/Hr the space can support)

- Add the Btu/Hr of all fuel burning appliances in the space.

Vent-free fireplace	_____	Btu/Hr
Gas water heater*	_____	Btu/Hr
Gas furnace	_____	Btu/Hr
Vented gas heater	_____	Btu/Hr
Gas fireplace logs	_____	Btu/Hr
Other gas appliances*	+ _____	Btu/Hr
Total	= _____	Btu/Hr

\* Do not include direct-vent gas appliances. Direct-vent draws combustion air from the outdoors and vents to the outdoors.

*Example:*

Gas water heater	40,000	Btu/Hr
Vent-free fireplace +	33,000	Btu/Hr
Total	= 73,000	Btu/Hr

- Compare the maximum Btu/Hr the space can support with the actual amount of Btu/Hr used.

\_\_\_\_\_ Btu/Hr (maximum the space can support)

\_\_\_\_\_ Btu/Hr (actual amount of Btu/Hr used)

*Example:* 51,200 Btu/Hr (maximum the space can support)

73,000 Btu/Hr (actual amount of Btu/Hr used)

The space in the example is a confined space because the actual Btu/Hr used is more than the maximum Btu/Hr the space can support. You must provide additional fresh air. Your options are as follows:

- Rework worksheet, adding the space of an adjoining room. If the extra space provides an unconfined space, remove door to adjoining room or add ventilation grills between rooms. See *Ventilation Air From Inside Building*.
- Vent room directly to the outdoors. See *Ventilation Air From Outdoors* page 8.
- Install a lower Btu/Hr fireplace, if lower Btu/Hr size makes room unconfined.

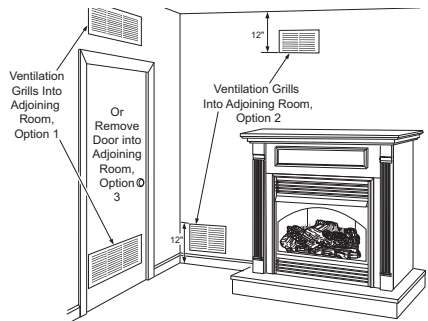
If the actual Btu/Hr used is less than the maximum Btu/Hr the space can support, the space is an unconfined space. You will need no additional fresh air ventilation.

**⚠ WARNING:** If the area in which the heater may be operated does not meet the required volume for indoor combustion air, combustion and ventilation air shall be provided by one of the methods described in the *National Fuel Gas Code, ANSI Z223.1/NFPA 54, the International Fuel Gas Code, or applicable local codes.*

## VENTILATION AIR

### Ventilation Air From Inside Building

This fresh air would come from an adjoining unconfined space. When ventilating to an adjoining unconfined space, you must provide two permanent openings: one within 12" of the ceiling and one within 12" of the floor on the wall connecting the two spaces (see options 1 and 2, Figure 3). You can also remove door into adjoining room (see option 3, Figure 3). Follow the *National Fuel Gas Code, ANSI Z223.1/NFPA 54, Air for Combustion and Ventilation* for required size of ventilation grills or ducts.



**Figure 3 - Ventilation Air from Inside Building**

# AIR FOR COMBUSTION AND VENTILATION

Continued

## Ventilation Air From Outdoors

Provide extra fresh air by using ventilation grills or ducts. You must provide two permanent openings: one within 12" of the ceiling and one within 12" of the floor. Connect these items directly to the outdoors or spaces open to the outdoors. These spaces include attics and crawl spaces. Follow the *National Fuel Gas Code, ANSI Z223.1/NFPA 54, Air for Combustion and Ventilation* for required size of ventilation grills or ducts.

**IMPORTANT:** Do not provide openings for inlet or outlet air into attic if attic has a thermostat-controlled power vent. Heated air entering the attic will activate the power vent.

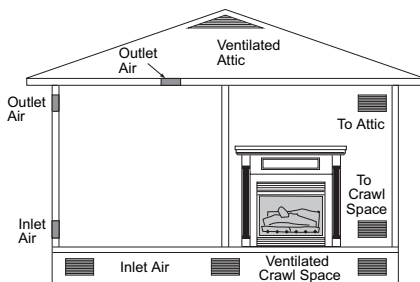


Figure 4 - Ventilation Air from Outdoors

## INSTALLATION

**NOTICE:** This heater is intended for use as supplemental heat. Use this heater along with your primary heating system. Do not install this heater as your primary heat source. If you have a central heating system, you may run system's circulating blower while using heater. This will help circulate the heat throughout the house. In the event of a power outage, you can use this heater as your primary heat source.

**WARNING:** A qualified service person must install fireplace. Follow all local codes.

**WARNING:** Never install the fireplace

- in a bedroom or bathroom
- in a recreational vehicle
- where curtains, furniture, clothing, or other flammable objects are less than 36" from the front and 42" from the top of fireplace. For side clearances see Figure 8, page 10
- in high traffic areas
- in windy or drafty areas

**CAUTION:** This fireplace creates warm air currents. These currents move heat to wall surfaces next to fireplace. Installing fireplace next to vinyl or cloth wall coverings or operating heater where impurities (such as, but not limited, to tobacco smoke, aromatic candles, cleaning fluids, oil or kerosene lamps, etc.) in the air exist, may discolor walls or cause odors.

*Note: Your fireplace is designed to be used in zero clearance installations. Wall or framing material can be placed directly against any exterior surface on the rear, sides, or top of your fireplace, except where standoff spacers are integrally attached. Where standoff spacers are attached to your fireplace, combustible material (studs and wall board) may be placed on top and above the top of the standoffs.*

Use the dimensions shown for rough openings to create the easiest installation. See *Built-In Fireplace Installation*, page 11.

**IMPORTANT:** Vent-free heaters add moisture to the air. Although this is beneficial, installing fireplace in rooms without enough ventilation air may cause mildew to form from too much moisture. See *Air for Combustion and Ventilation*, page 6.

**IMPORTANT:** Make sure the fireplace is level. If fireplace is not level, log set will not work properly.



# INSTALLATION

*Continued*

## CHECK GAS TYPE

Use the correct gas type (natural or propane/LP) for your fireplace. If your gas supply is not correct, do not install fireplace. Call dealer where you bought fireplace for proper type fireplace.

**⚠ WARNING: This appliance is equipped for natural or propane/LP gas but not both. Gas type is indicated on rating plate. Field conversion is not permitted.**

## ELECTRICAL HOOKUP

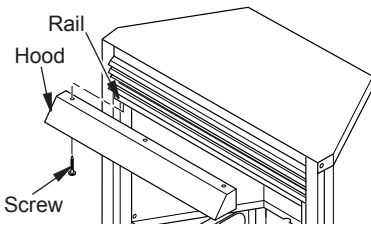
This fireplace includes a blower which must be connected to either a wall receptacle or the electrical receptacle that is included within the fireplace. If the receptacle included with the fireplace is to be used, it must be wired to a 120 volt supply by a certified electrician.

## OPTIONAL PANELS

Each fireplace is shipped with louvered panels installed. Smooth panels are also shipped with this fireplace and be used if desired. They allow for a different appearance. The smooth panels may be covered with noncombustible materials such as ceramic tile or rock.

## INSTALLING HOOD

Install hood to rail already installed in fireplace as shown in Figure 5. Use 3 Phillips screws provided.



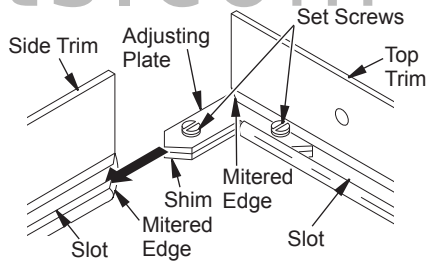
**Figure 5 - Installing Hood**

## ASSEMBLING AND ATTACHING OPTIONAL PERIMETER TRIM

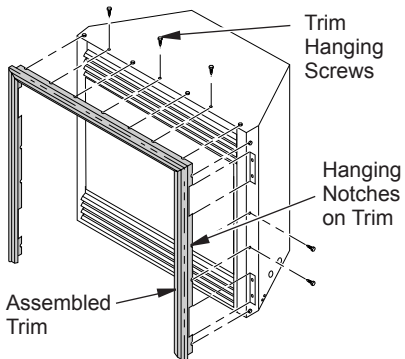
**IMPORTANT:** If you are recessing the firebox in a wall, do not attach trim at this time. See *Built-In Fireplace Installation*, page 11.

*Note: These instructions show assembling and attaching trim to fireplace.*

1. Remove packaging from three pieces of trim.
2. Locate four screws, two adjusting plates with set screws, and two shims in the hardware packet.
3. Align shim under adjusting plate as shown in Figure 6.
4. Slide one end of adjusting plate/shim in slot on mitered edge of top trim (see Figure 6).
5. Slide other end of adjusting plate/shim in slot on mitered edge of side trim (see Figure 6).
6. While firmly holding edges of trim together, tighten both set screws on the adjusting plate with slotted screwdriver.
7. Repeat steps 1 through 6 for other side.
8. Tighten trim hanging screws (#10 x 6.25 shoulder) into holes in cabinets. Place the assembled trim onto fireplace cabinet. Align hanging notches on trim with hanging screws on side of fireplace (see Figure 7). Push trim firmly into place, sliding hanging notches over hanging screws.



**Figure 6 - Assembling Perimeter Trim**



**Figure 7 - Attaching Perimeter Trim to Fireplace**

# INSTALLATION

Continued

## INSTALLATION CLEARANCES

**WARNING:** Maintain the minimum clearances. If you can, provide greater clearances from floor, ceiling, and adjoining wall.

Carefully follow the instructions below. This will ensure safe installation.

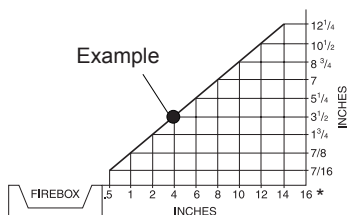
### Minimum Clearances For Side Combustible Material, Side Wall, and Ceiling

A. Clearances from the side of the fireplace cabinet to any combustible material and wall should follow diagram in Figure 8.

*Example:* The face of a mantel, bookshelf, etc. is made of combustible material and protrudes 3 1/2" from the wall. This combustible material must be 4" from the side of the fireplace opening (see Figure 8).

B. Clearances from top of fireplace opening to ceiling should not be less than 42".

**MINIMUM CLEARANCE TO COMBUSTIBLE MATERIALS**  
Top 0", Left and Right Sides 16",  
Bottom and Rear 0", Front 36"



\*Minimum 16" from Side Wall

**Figure 8 - Minimum Clearance for Combustible to Wall**

## CONVENTIONAL FIREPLACE INSTALLATION

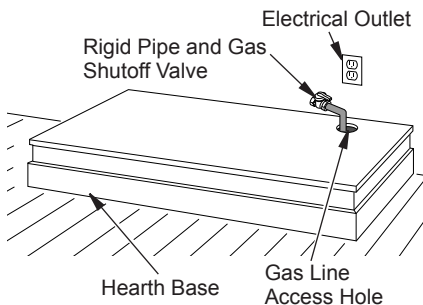
Conventional installation of this fireplace involves installing fireplace along with the corner, face, or cabinet mantel with hearth base accessories against a wall in your home. Follow the instructions in this section to install the fireplace in this manner.

1. Assemble cabinet mantel, hearth base, and trim accessories. Assembly instructions are included with each accessory.

2. Install a properly grounded, 120 volt three-prong electrical outlet at fireplace location if an outlet is not there. If possible, locate outlet so cabinet mantel will cover it when installed (see Figure 9).
3. Install gas piping to fireplace location. This installation includes an approved flexible gas line (if allowed by local codes) after the equipment shutoff valve. The flexible gas line must be the last item installed on the gas piping. See *Installing Gas Piping to Fireplace Location*, page 13.
4. Place hearth base accessory against wall at installation location. Cut an access hole in hearth top to run flexible gas line to fireplace (see Figure 9). Make sure to locate access hole so cabinet mantel will cover it when installed.

*Note:* You can secure base to floor using wood screws. Countersink screw heads and putty over.

5. Route flexible gas line through access hole in hearth base.
6. Center cabinet mantel on hearth base (see Figure 10, page 11). Make sure mantel is flush against wall.
7. Place cardboard or other protective material on top of hearth base. Carefully set fireplace on protective material, with back of fireplace inside mantel opening.
8. Attach flexible gas line from fireplace gas regulator to gas supply. See *Connecting Fireplace to Gas Supply*, page 14.
9. Route blower electrical cord through access holes in either side of fireplace.



**Figure 9 - Placing Hearth Base Accessory Against Wall**

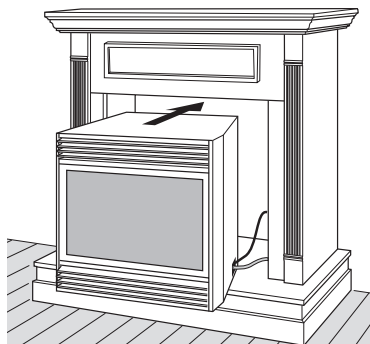
# INSTALLATION

*Continued*

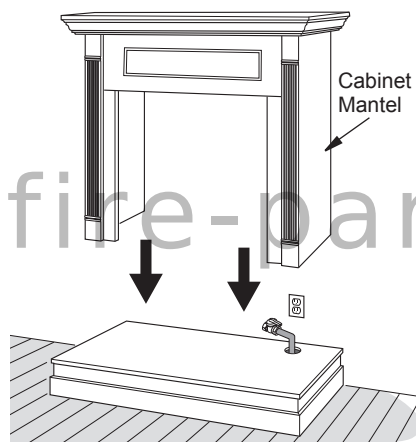
10. Carefully insert fireplace into cabinet mantel. Be careful not to scratch or damage hearth base, cabinet mantel, or any laminate trim on hearth base. Remove protective material from top of hearth base and from front of fireplace (if any).

*Note: You can secure fireplace to hearth or floor. Remove burner assembly. Locate screw holes in bottom of base. Tighten wood screws through these holes and into hearth or floor. Replace burner assembly.*

11. Check all gas connections for leaks. See Checking Gas Connections, page 15.



**Figure 12 - Inserting Fireplace Into Cabinet Mantel**



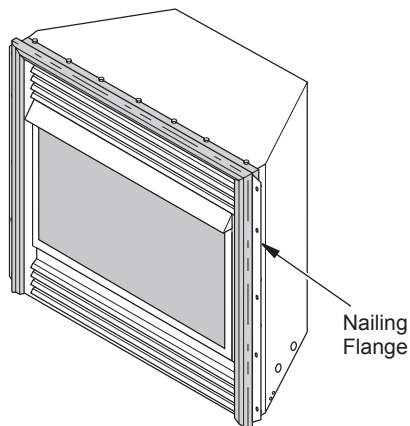
**Figure 10 - Installing Cabinet Mantel**

## BUILT-IN FIREPLACE INSTALLATION

Built-in installation of this fireplace involves installing fireplace into a framed-in enclosure. This makes the front of fireplace flush with wall. If installing a mantel above the fireplace, you must follow the clearances shown in Figure 16, page 12. Follow the instructions below to install the fireplace in this manner.

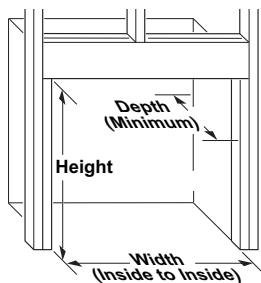
### Rough Opening Dimensions for Built-in Installation

Model	Front Width (Inside to Inside)	Height	Depth
32"	34 <sup>7</sup> / <sub>8</sub> "	36 <sup>3</sup> / <sub>4</sub> "	16 <sup>1</sup> / <sub>4</sub> "
36"	41 <sup>1</sup> / <sub>2</sub> "	40 <sup>1</sup> / <sub>2</sub> "	20 <sup>3</sup> / <sub>4</sub> "



**Figure 11 - Location of Nailing Flange**

1. Frame in rough opening. Use dimensions shown in Figure 13 for the rough opening. If installing in a corner, use dimensions shown in Figure 14, Figure 12, for the rough opening.



**Figure 13 - Rough Opening for Installing in Wall**

# INSTALLATION

Continued

2. Install gas piping into fireplace location. This installation includes an approved flexible gas line (if allowed by local codes) after the equipment shutoff valve. The flexible gas line must be the last item installed on the gas piping. See Installing Gas Piping to Fireplace Location, page 13.
3. Carefully set fireplace in front of rough opening with back of fireplace inside wall opening.
4. Carefully insert fireplace into rough opening.
5. Attach flexible gas line to gas supply. See Connecting Fireplace to Gas Supply, page 14.
6. Attach fireplace to wall studs using nails or wood screws through holes in nailing flange (see Figure 15).

7. Check all gas connections for leaks. See Checking Gas Connections, page 15.
8. Plug electrical cord into electrical outlet installed in step 2.
9. Install trim after final finishing and/or painting of wall (see Figure 7, page 9).

**IMPORTANT:** When finishing your firebox, combustible materials such as wall board, gypsum board, sheet rock, drywall, plywood, etc. may be butted up next to the sides and top of the firebox. Combustible materials should never overlap the firebox front facing.

**⚠ WARNING: Do not allow any combustible materials to overlap the firebox front facing.**

**IMPORTANT:** Noncombustible materials such as brick, tile, etc. may overlap the front facing, but should never cover any necessary openings like louvered slots or screen assembly.

**⚠ WARNING: Do not allow noncombustible materials to cover any necessary openings like louvered slots.**

**⚠ WARNING: Use only noncombustible mortar or adhesives when overlapping the front facing with noncombustible facing material.**

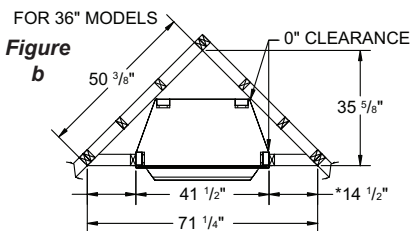
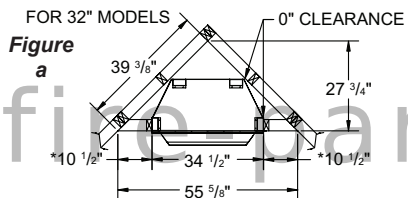


Figure 14 - Rough Opening for Installing in Corner

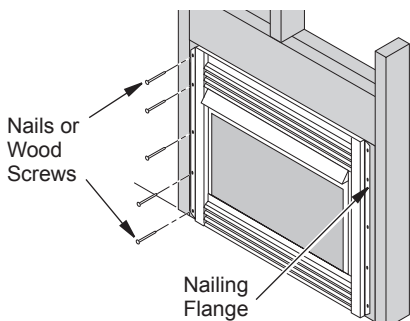


Figure 15 - Attaching Fireplace to Wall Studs

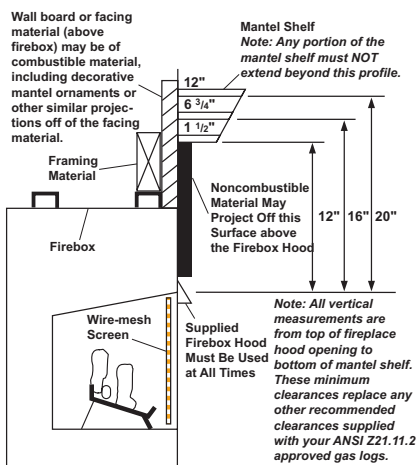


Figure 16 - Minimum Mantel Clearances for Built-In Installation

# INSTALLATION

*Continued*

## Mantel Clearances for Built-In Installation

If placing mantel above built-in fireplace, you must meet minimum clearance between mantel shelf and top of fireplace opening.

**NOTICE:** If your installation does not meet the minimum clearances shown, you must do one of the following:

- raise the mantel to an acceptable height
- remove the mantel

**NOTICE:** Surface temperatures of adjacent walls and mantels become hot during operation. Walls and mantels above the firebox may become hot to the touch. If installed properly, these temperatures meet the requirement of the national product standard. Follow all minimum clearances shown in this manual.

## INSTALLING GAS PIPING TO FIREPLACE LOCATION

**⚠ WARNING:** This appliance requires a 3/8" NPT (National Pipe Thread) inlet connection to the pressure regulator.

**⚠ WARNING:** A qualified service person must connect fireplace to gas supply. Follow all local codes.

**⚠ CAUTION:** Never connect propane/LP fireplace directly to the propane/LP supply. This fireplace requires an external regulator (not supplied). Install the external regulator between the fireplace and propane/LP supply.

**⚠ WARNING:** Never connect natural gas fireplace to private (non-utility) gas wells. This gas is commonly known as wellhead gas.

## Installation Items Needed

Before installing fireplace, make sure you have the items listed below.

- external regulator for propane/LP unit only (supplied by installer)
- piping (check local codes)
- sealant (resistant to propane/LP gas)
- equipment shutoff valve \*
- test gauge connection \*
- sediment trap (optional)
- tee joint
- pipe wrench
- approved flexible gas line with gas connector (if allowed by local codes) (not provided).

\* A equipment shutoff valve with 1/8" NPT tap is an acceptable alternative to test gauge connection. Purchase the optional equipment shutoff valve from your dealer.

For propane/LP units, the installer must supply an external regulator. The external regulator will reduce incoming gas pressure. You must reduce incoming gas pressure to between 11" and 14" of water. If you do not reduce incoming gas pressure, heater regulator damage could occur. Install external regulator with the vent pointing down as shown in Figure 17, page 14. Pointing the vent down protects it from freezing rain or sleet.

**⚠ CAUTION:** Use only new, black iron or steel pipe. Internally-tinned copper tubing may be used in certain areas. Check your local codes. Use pipe of 1/2" diameter or greater to allow proper gas volume to fireplace. If pipe is too small, undue loss of volume will occur.

## INSTALLATION

### Continued

Installation must include an equipment shutoff valve, union, and plugged 1/8" NPT tap. Locate NPT tap within reach for test gauge hook up. NPT tap must be upstream from fireplace (see Figure 18).

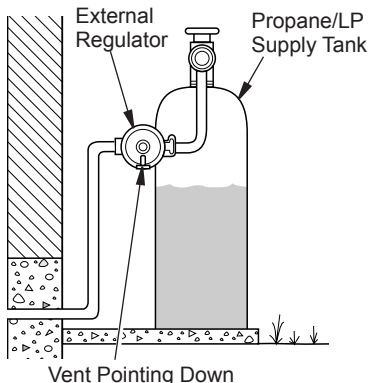
**IMPORTANT:** Install equipment shutoff valve in an accessible location. The equipment shutoff valve is for turning on or shutting off the gas to the appliance.

Check your building codes for any special requirements for locating equipment shutoff valve to fireplaces.

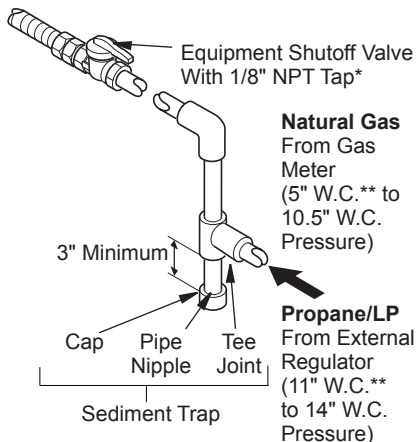
Apply pipe joint sealant lightly to male NPT threads. This will prevent excess sealant from going into pipe. Excess sealant in pipe could result in clogged fireplace valves. Never use sealant on flare threads.

**WARNING: Use pipe joint sealant that is resistant to liquid petroleum (LP) gas.**

We recommend that you install a sediment trap in supply line as shown in Figure 18. Locate sediment trap where it is within reach for cleaning. Install in piping system between fuel supply and fireplace. Locate sediment trap where trapped matter is not likely to freeze. A sediment trap traps moisture and contaminants. This keeps them from going into fireplace gas controls. If sediment trap is not installed or is installed wrong, fireplace may not run properly.



**Figure 17 - External Regulator on Propane/LP Supply Tank with Vent Pointing Down**



**Figure 18 - Gas Connection**

\* Purchase the optional equipment shutoff valve from your dealer.

\*\* Minimum inlet pressure for purpose of input adjustment.

## CONNECTING FIREPLACE TO GAS SUPPLY

### Installation Items Needed

- 5/16" hex socket wrench or nut-driver
- Phillips screwdriver
- sealant (resistant to propane/LP gas, not provided)

1. Remove fireplace screen. Remove two screws that hold fireplace screen in place for shipping. These screws are located near top of screen. Discard screws. Push the bottom corners of the screen in and release. The screen will pop out at the bottom. Grasp the bottom of the screen, lift the screen up and pull out to remove.
2. Remove screws that attach log base assembly to fireplace (see Figure 19, page 15). Carefully lift up log base assembly and remove from fireplace (see Figure 19, page 15).

*Note: If adding brick liner accessory kit, install it now. Follow brick liner accessory kit instructions.*

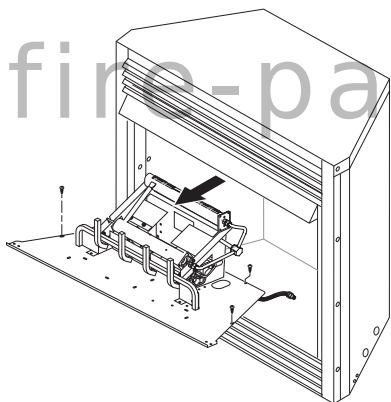
3. Route gas line (provided by installer) from equipment shutoff valve to fireplace. Route flexible gas supply line through one of the access holes.

# INSTALLATION

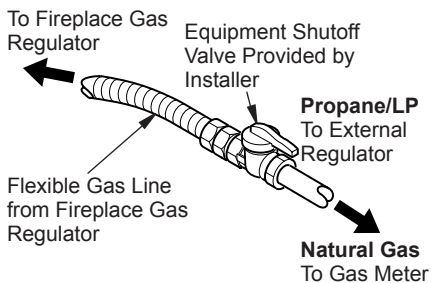
*Continued*

4. Attach the flexible gas line to gas supply (see Figure 20). Check tightness of flexible gas line attached to gas regulator of fireplace (see Figure 20).
5. Check all gas connections for leaks. See [Checking Gas Connections](#).
6. Replace log base assembly back into fireplace. Feed flexible gas line into fireplace base area while replacing log base assembly. Make sure the entire flexible gas line is in fireplace base area. Reattach log base assembly to fireplace with screws removed in step 2, page 14.

**⚠ CAUTION:** Do not pick up log base assembly by burner. This could damage burner. Only handle base by grates.



**Figure 19 - Removing Log Base Assembly From Fireplace**



**Figure 20 - Attaching Flexible Gas Lines Together**

**NOTICE:** Most building codes do not permit concealed gas connections. A flexible gas line is provided to allow accessibility from the fireplace (see Figure 20). The flexible gas supply line connection to the equipment shutoff valve should be accessible.

## CHECKING GAS CONNECTIONS

**⚠ WARNING:** Test all gas piping and connections, internal and external to unit, for leaks after installing or servicing. Correct all leaks at once.

**⚠ WARNING:** Never use an open flame to check for a leak. Apply a noncorrosive leak detection fluid to all joints. Bubbles forming show a leak. Correct all leaks at once.

**⚠ CAUTION:** Make sure external regulator has been installed between propane/LP supply and fireplace. See guidelines under [Connecting Fireplace to Gas Supply](#), page 14.

## PRESSURE TESTING GAS SUPPLY PIPING SYSTEM

### Test Pressures In Excess Of 1/2 PSIG (3.5 kPa)

1. Disconnect fireplace with its main gas valve (control valve) and equipment shutoff valve from gas supply piping system. Pressures in excess of 1/2 psig will damage fireplace regulator.
2. Cap off open end of gas pipe where equipment shutoff valve was connected.
3. Pressurize supply piping system by either opening propane/LP supply tank valve for propane/LP gas or opening main gas valve located on or near gas meter for natural gas, or using compressed air.

# INSTALLATION

## Continued

4. Check all joints of gas supply piping system. Apply noncorrosive leak detection fluid to all joints. Bubbles forming show a leak.
5. Correct all leaks at once.
6. Reconnect fireplace and equipment shutoff valve to gas supply. Check reconnected fittings for leaks.

### Test Pressures Equal To or Less Than 1/2 PSIG (3.5 kPa)

1. Close equipment shutoff valve (see Figure 21).
2. Pressurize supply piping system by either opening propane/LP supply tank valve for propane/LP gas or opening main gas valve located on or near gas meter for natural gas, or using compressed air.
3. Check all joints from gas meter to equipment shutoff valve for natural gas or propane/LP supply to equipment shutoff valve for propane/LP (see Figures 22 and 23). Apply noncorrosive leak detection fluid to all joints. Bubbles forming show a leak.
4. Correct all leaks at once.

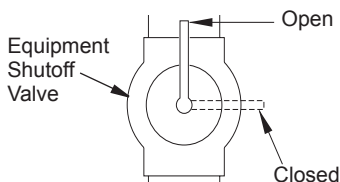


Figure 21 - Equipment Shutoff Valve

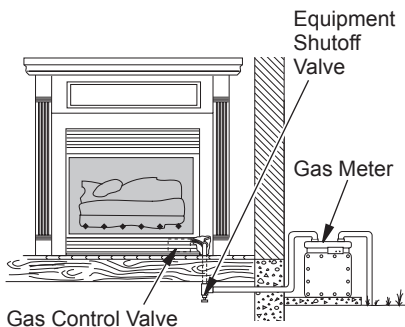


Figure 22 - Checking Gas Joints for Natural Gas

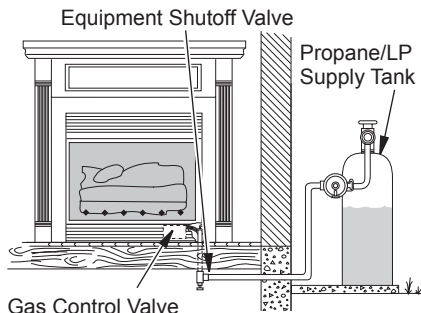


Figure 23 - Checking Gas Joints for Propane/LP Gas

### PRESSURE TESTING FIREPLACE GAS CONNECTIONS

1. Open equipment shutoff valve (see Figure 21).
2. Open main gas valve located on or near gas meter for natural gas or open propane/LP supply tank valve.
3. Make sure control knob of fireplace is in the OFF position.
4. Check all joints from equipment shutoff valve to gas control valve (see Figures 22 or 23). Apply noncorrosive leak detection fluid to all joints. Bubbles forming show a leak.
5. Correct all leaks at once.
6. Light fireplace (see [Operation](#), page 21). Check all other internal joints for leaks.
7. Turn off fireplace (see [To Turn Off Gas to Appliance](#), page 22).

### INSTALLING LOGS

**WARNING:** Failure to position the parts in accordance with these diagrams or failure to use only parts specifically approved with this heater may result in property damage or personal injury.

**CAUTION:** Do not remove the data plates attached to the heater base assembly. The data plates contain important safety and warranty information.



# INSTALLATION

## Continued

1. Place fiber ramp log in center of chassis as shown in Figure 24. The fiber ramp log can be identified by the shape and much lighter weight when compared to the other logs. The log must sit flat on the black sheet metal and behind the left metal tab as shown in figure 24a. Make sure the side marked "BOTTOM" is setting down.

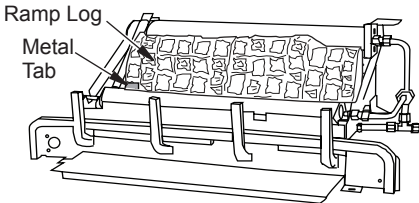


Figure 24 - Installing Fiber Ramp Log

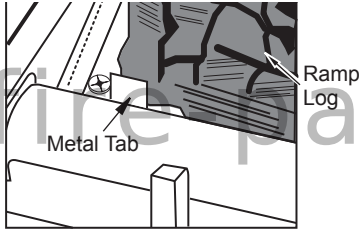


Figure 24a - Installing Ramp Log

2. Place front left and front right logs as shown in Figure 25.

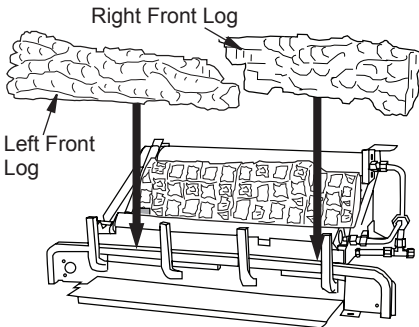


Figure 25 - Installing Left/Right Front Logs

3. Place left ember bed log as shown in Figure 26. The log has groove on one side that sets on the ember bed pan. The back side of this log needs to rest against the front of the base assembly. Make sure the flame from the ember pan does not touch the ember bed log.

4. The SVFS32 and SVFS36 use two different right ember bed logs. The SVFS32 right ember bed log is installed in the same manner as the log in step 3 above but on the right side. The SVFS36 right ember bed log has a hole in the bottom that sets on the grate finger and the other end rest on the fireplace floor, place log as shown in Figure 27. The back side of this log needs to rest against the front of the base assembly, make sure the flame from the ember pan does not touch the ember bed log.

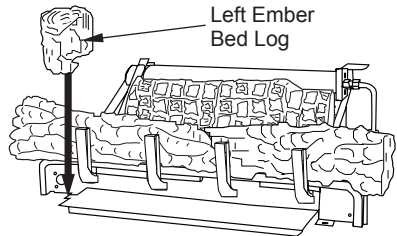


Figure 26 - Installing Left Ember Bed Log

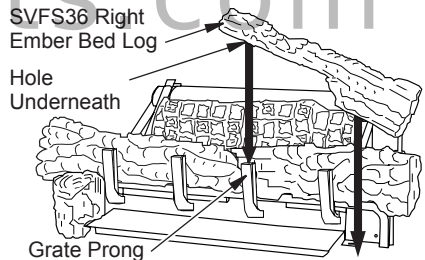


Figure 27 - Installing Right Ember Bed Log

5. The left middle log has a groove on the bottom to sit on the chassis and has to sit on the tab on the back of the left front log as shown in Figure 28.

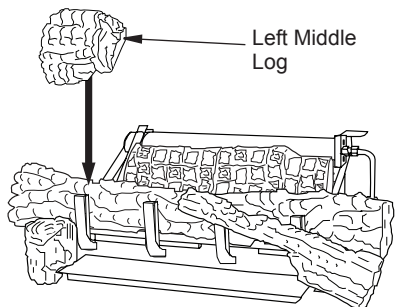
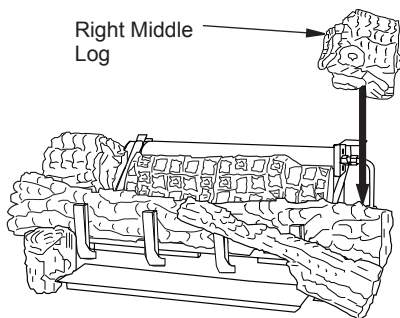


Figure 28 - Installing Left Middle Log

# INSTALLATION

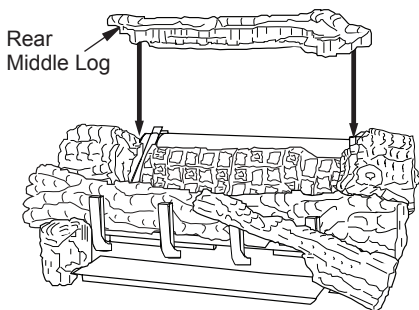
*Continued*

6. The right middle log has a groove on the bottom to sit on the chassis and has to sit on the tab on the back of the right front. The right middle log should have a recess area that fits around the ramp log as shown in Figure 29.



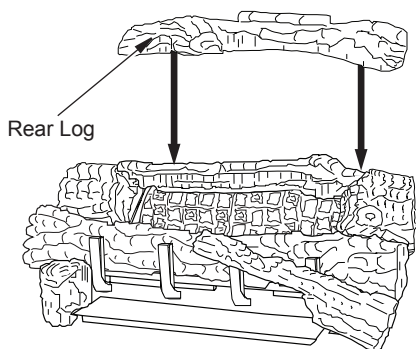
**Figure 29 - Installing Right Middle Log**

7. The rear middle log should fit between the ramp log and the rear burner. The left and right middle logs have recessed areas for the rear middle log to sit into (See Figure 30). Be careful not to push the rear burner out of position while installing this log.

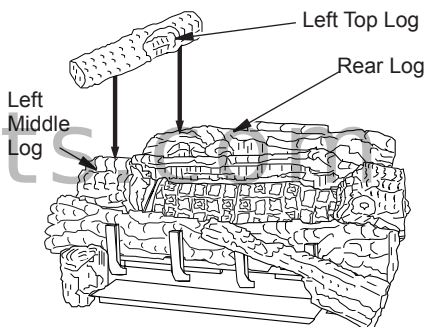


**Figure 30 - Installing Rear Middle Log**

8. Rest rear log in back corner sections of chassis assembly as shown in Figure 31.
9. Place the left top log onto the rear log and the left middle log. Make sure to place the projection on the bottom of the left top log into the recessed areas on the rear and left middle logs (see Figure 32).

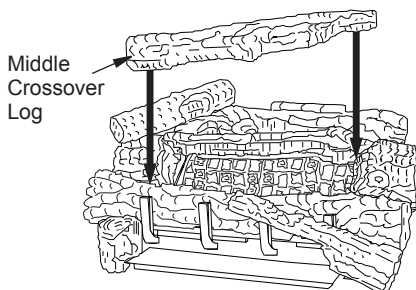


**Figure 31 - Installing Rear Log**



**Figure 32 - Installing Left Top Log**

10. Rest the middle crossover log onto the right middle log and the left front log (see Figure 33). Make sure to match the projection on the bottom of the crossover log with the recess area in the right middle log and the left front log.
11. Place the top rear log onto the rear log as



**Figure 33 - Installing Middle Crossover Log**

# INSTALLATION

Continued

shown. The rear log has a projection that will fit into the recess area on the bottom of the top rear log (see Figure 34).

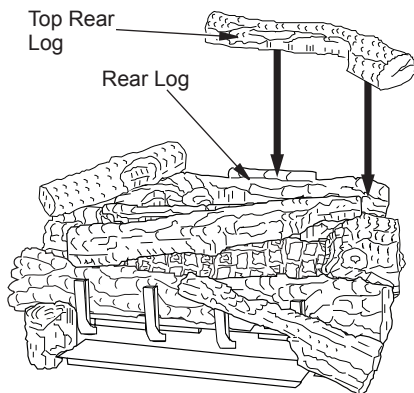


Figure 34 - Installing Top Rear Log

## EMBER PLACEMENT

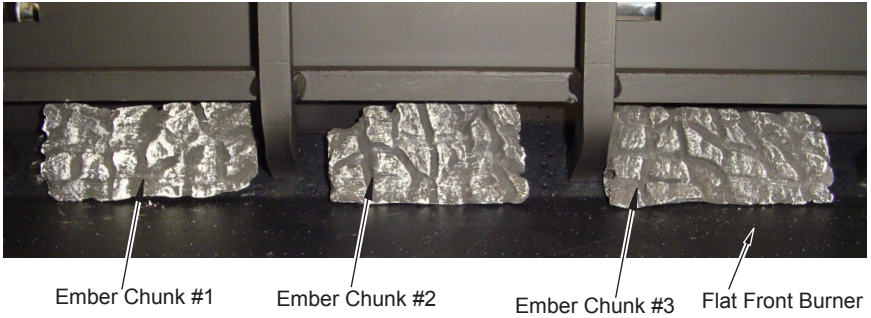
**⚠ WARNING: Do not use any other ember material not supplied with this unit.**

**⚠ WARNING: Do not operate unit without ember material correctly in place as shown in Figures 36 & 37, page 20. Do NOT place ember material anywhere else on the unit. Use only ember material supplied with unit. Excessive or incorrectly placed ember material may produce carbon monoxide or soot.**

- Ember Chunk Placement.** The SVFS36 series burner systems include three ember chunks that are designed to fit over shoulder screws on the ember pan burner. The bottom of each ember chunk has a hole for securing the ember chunk in place when it is placed over a shoulder screw. Place the ember chunks as shown in Figure 35 on page 20 by placing the ember chunk with the number "1" on the left, "2" in the center, and "3" on the right. These numbers are embossed on the back of each piece for identification purposes. Please note that SVFS32 series burner systems **do not** include ember chunks.
- Two ember materials are supplied with this log set. Platinum Bright Embers give a bright glow appearing as hot coals. Should embers need replacing, see [Parts](#), page 30.  
**Platinum Bright Ember placement.** Add embers to front, flat burner. Gently remove embers from bag. Separate pieces of ember material and place on surface of flat burner just behind horizontal ports as shown in Figure 36.  
**Rock Wool placement.** Place rock wool material on front flat burner in areas away from ports as shown in Figure 37.
- DO NOT place rock or additional logs on front burner or on logs.** Placing any material on unit other than ember material on front burner may result in production of carbon monoxide or soot.

# INSTALLATION

Continued



**Figure 35 - Ember Chunk Placement SVFS36 Series**



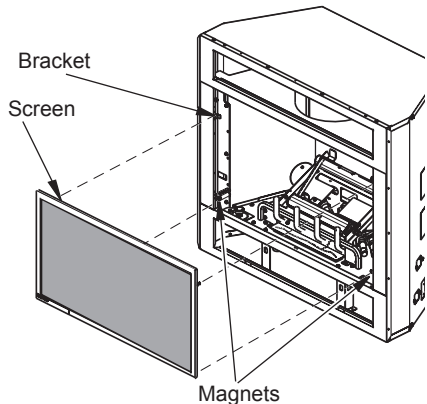
**Figure 36 - Platinum Bright Embers**



**Figure 37 - Placement of Rock Wool (shown with Platinum Bright Embers)**

4. Install fireplace screen by placing the screen brackets on top of the fireplace screen brackets as shown in Figure 38. Push the bottom of the screen inward against the magnetic catches to secure in place.

**WARNING:** You must operate this fireplace with the fireplace screen in place. Make sure fireplace screen is in place before running fireplace.



**Figure 38 - Installing Fireplace Screen**

## OPERATION

### FOR YOUR SAFETY READ BEFORE LIGHTING

**⚠ WARNING:** If you do not follow these instructions exactly, a fire or explosion may result causing property damage, personal injury or loss of life.

A. This appliance has a pilot which must be lighted by hand. When lighting the pilot, follow these instructions exactly.

B. **BEFORE LIGHTING** smell all around the appliance area for gas. Be sure to smell next to the floor because some gas is heavier than air and will settle on the floor.

#### WHAT TO DO IF YOU SMELL GAS

- Do not try to light any appliance.
- Do not touch any electric switch; do not use any phone in your building.
- Immediately call your gas supplier from a neighbor's phone. Follow the gas supplier's instructions.
- If you cannot reach your gas supplier, call the fire department.

C. Use only your hand to push in or turn the gas control knob. Never use tools. If the knob will not push in or turn by hand, don't try to repair it, call a qualified service technician or gas supplier. Force or attempted repair may result in a fire or explosion.

D. Do not use this appliance if any part has been under water. Immediately call a qualified service technician to inspect the appliance and to replace any part of the control system and any gas control which has been under water.

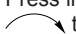

### LIGHTING INSTRUCTIONS

**⚠ WARNING:** You must operate this fireplace with the fireplace screen in place. Make sure fireplace screen is installed before running fireplace.

**NOTICE:** During initial operation of new fireplace, burning logs will give off a paper-burning smell. Open damper or window to vent smell. This will only last a few hours.

1. STOP! Read the safety information in column 1.
2. Make sure equipment shutoff valve is fully open.
3. Set selector switch in OFF position.

**⚠ WARNING:** Burners will come on automatically within one minute when the selector switch is in the ON position after the pilot is lit.

4. Press in and turn control knob clockwise  to the OFF position.
5. Wait five (5) minutes to clear out any gas. Then smell for gas, including near the floor. If you smell gas, STOP! Follow "B" in the safety information, column 1. If you don't smell gas, go to the next step.
6. Press in and turn control knob counter-clockwise  to the PILOT position. Press in control knob for five (5) seconds (see Figure 39, page 22).

*Note: You may be running this heater for the first time after hooking up to gas supply. If so, the control knob may need to be pressed in for 30 seconds or more. This will allow air to bleed from the gas system.*

**⚠ CAUTION:** Do not try to adjust heating levels by using the equipment shutoff valve.

## OPERATION

Continued



- With control knob pressed in, press and release ignitor button. This will light pilot. The pilot is attached to the front burner. If needed, keep pressing ignitor button until pilot lights.

*Note: If pilot does not stay lit, contact a qualified service person or gas supplier for repairs. Until repairs are made, light pilot with match. To light pilot with match, see [Manual Lighting Procedure](#).*

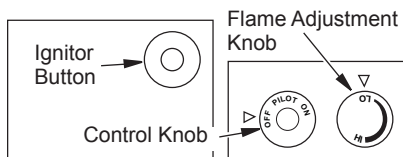
- Keep control knob pressed in for 30 seconds after lighting pilot. After 30 seconds, release control knob.

- If control knob does not pop out when released, contact a qualified service person or gas supplier for repairs.

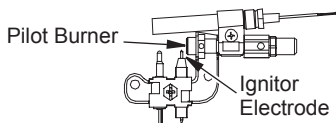
*Note: If pilot goes out, repeat steps 4 through 8 beginning on page 21.*

- Slightly push in and turn control knob counterclockwise  to the ON position.
- Wait one minute to light burners.
- Set flame adjustment knob to any level between HI and LO.
- To leave pilot lit and shut off burners only: turn control knob clockwise  to the PILOT position, or use remote control manual OFF button, or set selector switch in the OFF position.

**⚠ WARNING: Make sure the selector switch is in the OFF position when you are away from home for long periods of time. Heater will come on automatically with selector switch in the ON position.**




**Figure 39 - Control Knob and Ignitor Button Location**



**Figure 40 - Pilot**

### TO TURN OFF GAS TO APPLIANCE

- Turn control knob clockwise  to the OFF position.
- Close equipment shutoff valve (see Figure 21, page 16).

### MANUAL LIGHTING PROCEDURE

- Follow steps 1 through 6 under [Lighting Instructions](#), page 21.
- Press control knob and light pilot with match.
- Keep control knob pressed in for 30 seconds after lighting pilot. After 30 seconds, release control knob. Now follow steps 9 through 11, column 1.

### BLOWER OPERATION

**⚠ WARNING: This fireplace has a three-prong, grounded electrical plug. This plug helps protect you against electrical shock. Only connect plug to a properly grounded, three-prong receptacle. Do not cut or remove the grounding prong from this plug.**

Access the blower control knob by pushing in on the bottom corners of the fireplace screen, grasp the bottom of the screen and pull out and up to remove the screen. The blower control knob is located on the left side of the fireplace floor.

The blower is thermostatically controlled. This means the fireplace and blower will not turn on and off at the same time. The fireplace may run for several minutes before the blower turns on. After the fireplace is shut off, the blower will continue to operate until the fireplace temperature cools.

The blower also includes a variable speed control. Turn the knob clockwise to turn the blower to the high position. Continuing to turn the knob will reduce the speed of the blower until it reaches a preset low speed.

## INSPECTING BURNERS

Check pilot flame pattern and burner flame patterns often.

### PILOT FLAME PATTERN

Figure 41 shows a correct pilot flame pattern. Figure 42 shows an incorrect pilot flame pattern. The incorrect pilot flame is not properly heating the thermocouple. When the thermocouple cools, the heater will shut down.

If pilot flame pattern is incorrect, as shown in Figure 42

- turn heater off (see *To Turn Off Gas to Appliance*, page 22)
- see *Troubleshooting*, page 25

*Note: The pilot flame on natural gas units will have a slight curve, but flame should be blue and have no yellow or orange color.*

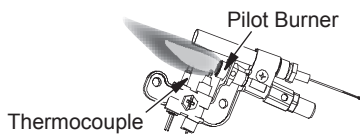


Figure 41 - Correct Pilot Flame Pattern

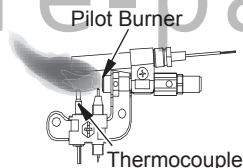


Figure 42 - Incorrect Pilot Flame Pattern

### MAIN BURNER

Periodically inspect all burner flame holes with the heater running. All slotted burner flame holes should be open with yellow flame present. All round burner flame holes should be open with a small blue flame present. Some burner flame holes may become blocked by debris or rust, with no flame present. If so, turn off heater and let cool. Remove blockage. Blocked burner flame holes may create soot.

### FRONT BURNER FLAME PATTERN

**WARNING:** If front burner flame pattern shows yellow tipping, your fireplace could produce increased levels of carbon monoxide. Follow instructions below. Yellow flame on rear burner is normal.

**NOTICE:** Do not mistake orange flames with yellow tipping. Dirt or other fine particles are burned by fireplace, causing brief patches of orange flame.

Figure 43 shows the correct burner flame.

The front ember burner should have a small blue flame. When the ember material is applied, the embers will glow red and the flame may have a few small bright yellow tips less than 1/2 inch in height.

The middle burner produces a blue flame that impinges upon the ceramic ramp causing the ramp to glow red with an occasional yellow streak.

The rear burner produces a bright yellow flame with the base of the flame being blue.

Figure 44 shows the incorrect burner flame.

The front ember burner should not produce yellow flames greater than 1/2" in height or any dark yellow or orange flames.

The middle burner should not produce a flame that remains yellow or yellow flame that extends above the ceramic ramp.

The rear burner should not produce a dark yellow / orange flame nor should it be absent of blue color near the base of the flame next to the shiny stainless steel burner.

If burner flame pattern is incorrect, as shown in Figure 44.

- turn fireplace off (see *To Turn Off Gas to Appliance*, page 22)
- see *Troubleshooting*, page 25

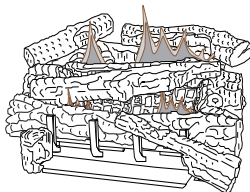


Figure 43 - Correct Burner Flame Pattern

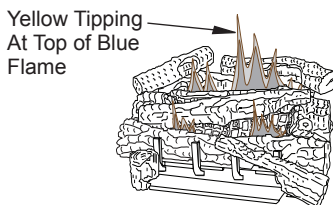


Figure 44 - Incorrect Burner Flame Pattern

## CLEANING AND MAINTENANCE

**⚠ WARNING: Turn off fireplace and let cool before cleaning.**

**⚠ CAUTION: You must keep control areas, burner, and circulating air passageways of fireplace clean. Inspect these areas of fireplace before each use. Have fireplace inspected yearly by a qualified service person. Fireplace may need more frequent cleaning due to excessive lint from carpeting, bedding material, pet hair, etc.**

**⚠ WARNING: Failure to keep the primary air opening(s) of the burner(s) clean may result in sooting and property damage.**

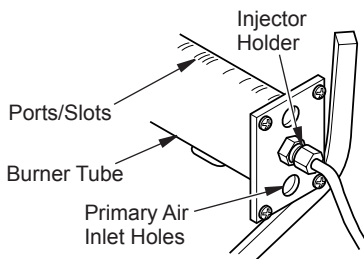
### BURNER INJECTOR HOLDER AND PILOT AIR INLET HOLE

The primary air inlet holes allow the proper amount of air to mix with the gas. This provides a clean burning flame. Keep these holes clear of dust, dirt, lint, and pet hair. Clean these air inlet holes prior to each heating season. Blocked air holes will create soot. We recommend that you clean the unit every three months during operation and have heater inspected yearly by a qualified service person.

We also recommend that you keep the burner tube and pilot assembly clean and free of dust and dirt. To clean these parts we recommend using compressed air no greater than 30 PSI. Your local computer store, hardware store, or home center may carry compressed air in a can. If using compressed air in a can, please follow the directions on the can. If you don't follow directions on the can, you could damage the pilot assembly.

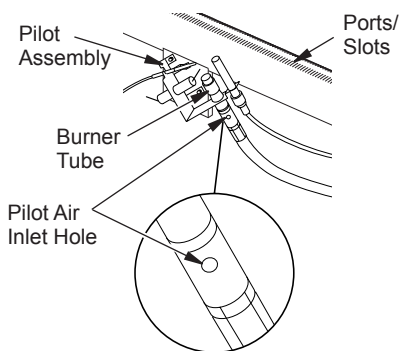
1. Shut off unit, including pilot. Allow unit to cool for at least thirty minutes.
2. Inspect burner, pilot, and primary air inlet holes on injector holder for dust and dirt (see Figure 45).
3. Blow air through the ports/slots and holes in the burner.

4. Check the injector holder located at the end of the burner tube again. Remove any large particles of dust, dirt, lint, or pet hair with a soft cloth or vacuum cleaner nozzle.
5. Blow air into the primary air holes on the injector holder.
6. In case any large clumps of dust have now been pushed into the burner repeat steps 3 and 4.



**Figure 45 - Injector Holder On Outlet Burner Tube**

Clean pilot assembly also. A yellow tip on the pilot flame indicates dust and dirt in the pilot assembly. There is a small pilot air inlet hole about 2" from where the pilot flame comes out of the pilot assembly (see Figure 46). With unit off, lightly blow air through the air inlet hole. You may blow through a drinking straw if compressed air is not available.



**Figure 46 - Pilot Inlet Air Hole**

### LOGS

- If you remove logs for cleaning, refer to *Installing Logs*, page 16, to properly replace logs.
- Replace log(s) if broken or chipped (dime-sized or larger).



## TROUBLESHOOTING

**⚠ WARNING:** Turn off heater and let cool before servicing. Only a qualified service person should service and repair heater.

**⚠ CAUTION:** Never use a wire, needle, or similar object to clean ODS/pilot. This can damage ODS/pilot unit.

*Note: All troubleshooting items are listed in order of operation.*

OBSERVED PROBLEM	POSSIBLE CAUSE	REMEDY
When ignitor button is pressed, there is no spark at ODS/pilot	1. Ignitor electrode not connected to ignitor cable	1. Reconnect ignitor cable
	2. Ignitor cable pinched or wet	2. Free ignitor cable if pinched by any metal or tubing. Keep ignitor cable dry
	3. Piezo ignitor nut is loose	3. Tighten nut holding piezo ignitor to base panel of log set. Nut is located behind base panel
	4. Broken ignitor cable	4. Replace ignitor cable
	5. Bad piezo ignitor	5. Replace piezo ignitor
	6. Ignitor electrode broken	6. Replace pilot assembly
	7. Ignitor electrode positioned wrong	7. Replace pilot assembly
When ignitor button is pressed, there is spark at ODS/pilot but no ignition	1. Gas supply turned off or equipment shutoff valve closed	1. Turn on gas supply or open equipment shutoff valve
	2. Control knob not in PILOT position	2. Turn control knob to PILOT position
	3. Control knob not pressed in while in PILOT position	3. Press in control knob while in PILOT position
	4. Air in gas lines when installed	4. Continue holding down control knob. Repeat igniting operation until air is removed
	5. Depleted gas supply (propane/LP only)	5. Contact local propane/LP gas company
	6. ODS/pilot is clogged	6. Clean ODS/pilot (see <u>Cleaning and Maintenance</u> , page 24) or replace ODS/pilot assembly
	7. Gas regulator setting is not correct	7. Replace gas regulator

## TROUBLESHOOTING

*Continued*

OBSERVED PROBLEM	POSSIBLE CAUSE	REMEDY
<p>ODS/pilot lights but flame goes out when control knob is released</p>	<ol style="list-style-type: none"> <li>1. Control knob not fully pressed in</li> <li>2. Control knob not pressed in long enough</li> <li>3. Equipment shutoff valve not fully open</li> <li>4. Pilot flame not touching thermocouple, which allows thermocouple to cool, causing pilot flame to go out. This problem could be caused by one or both of the following:               <ol style="list-style-type: none"> <li>A) Low gas pressure</li> <li>B) Dirty or partially clogged ODS/pilot</li> </ol> </li> <li>5. Thermocouple connection loose at control valve</li> <li>6. Thermocouple damaged</li> <li>7. Control valve damaged</li> </ol>	<ol style="list-style-type: none"> <li>1. Press in control knob fully</li> <li>2. After ODS/pilot lights, keep control knob pressed in 30 seconds</li> <li>3. Fully open equipment shutoff valve</li> <li>4. A) Contact local natural or propane/LP gas company  B) Clean ODS/pilot (see <u><i>Cleaning and Maintenance</i></u>, page 24) or replace ODS/pilot assembly</li> <li>5. Hand tighten until snug, then tighten 1/4 turn more</li> <li>6. Replace pilot assembly</li> <li>7. Replace control valve</li> </ol>
<p>Burner does not light after ODS/pilot is lit</p>	<ol style="list-style-type: none"> <li>1. Pilot has not had enough time to heat thermopile</li> <li>2. Burner orifice(s) clogged</li> <li>3. Thermopile leads disconnected or improperly connected</li> <li>4. Burner will not come on in remote position</li> </ol>	<ol style="list-style-type: none"> <li>1. Allow the pilot to burn for at least 2 minutes</li> <li>2. Clean burner(s) (see <u><i>Cleaning and Maintenance</i></u>, page 24) or replace burner orifice(s)</li> <li>3. Reconnect leads (see <u><i>Wiring Diagram</i></u>, page 29)</li> <li>4. Replace battery in transmitter and receiver</li> </ol>
<p>Delayed ignition of one or both burners</p>	<ol style="list-style-type: none"> <li>1. Logs are misplaced</li> <li>2. Burner orifice(s) clogged</li> </ol>	<ol style="list-style-type: none"> <li>1. Read "INSTALLING LOGS" and check for proper log placement</li> <li>2. Clean burner(s) (see <u><i>Cleaning and Maintenance</i></u>, page 24) or replace burner orifice(s)</li> </ol>
<p>Burner backfiring during combustion</p>	<ol style="list-style-type: none"> <li>1. Burner orifice is clogged or damaged</li> <li>2. Damaged burner</li> <li>3. Gas regulator defective</li> </ol>	<ol style="list-style-type: none"> <li>1. Clean burner (see <u><i>Cleaning and Maintenance</i></u>, page 24) or replace burner orifice(s)</li> <li>2. Replace damaged burner</li> <li>3. Replace gas regulator</li> </ol>
<p>Slight smoke or odor during initial operation</p>	<ol style="list-style-type: none"> <li>1. Not enough air</li> <li>2. Gas regulator defective</li> <li>3. Residues from manufacturing processes and logs curing</li> </ol>	<ol style="list-style-type: none"> <li>1. Check burner for dirt and debris. If found, clean burner (see <u><i>Cleaning and Maintenance</i></u>, page 24)</li> <li>2. Replace gas control</li> <li>3. Problem will stop after a few hours of operation</li> </ol>

# TROUBLESHOOTING

*Continued*

OBSERVED PROBLEM	POSSIBLE CAUSE	REMEDY
Moisture/condensation noticed on windows	1. Not enough combustion/ventilation air	1. Refer to <i>Air for Combustion and Ventilation</i> requirements (page 6)
Heater produces a whistling noise when burners are lit	1. Turning control knob to HI position when burners are cold 2. Air in gas line 3. Air passageways on heater blocked 4. Dirty or partially clogged burner orifice(s)	1. Turn control knob to LO position and let warm up for a minute 2. Operate burners until air is removed from line. Have gas line checked by local natural or propane/LP gas company 3. Observe minimum installation clearances (see page 10) 4. Clean burners (see <i>Cleaning and Maintenance</i> , page 24) or replace burner orifice(s)
White powder residue forming within burner box or on adjacent walls or furniture	1. When heated, vapors from furniture polish, wax, carpet cleaners, etc. may turn into white powder residue	1. Turn heater off when using furniture polish, wax, carpet cleaners, or similar products
Remote does not function	1. Battery is not installed. Battery power is low	1. Replace 9-volt batteries in receiver and remote control
Excessive yellow flame in front burner during burner combustion	1. Incorrect ember placement 2. Incorrect orifice 3. Not enough air 4. Gas regulator defective	1. Read EMBER PLACEMENT and correct per instructions 2. Replace orifice. Call technical service 3. Check burner(s) for dirt and debris. If found, clean burner(s) (see <i>Cleaning and Maintenance</i> , page 24) 4. Replace gas regulator
Fireplace produces a clicking/ticking noise just after burner is lit or shut off	1. Metal expanding while heating or contracting while cooling	1. This is normal with most heaters. If noise is excessive, contact qualified service person
Dark residue on logs inside of their fireplace <i>Note: After removing all causes of residue deposits, completely clean fireplace and appliance of residue before reusing appliance</i>	1. Improper log placement 2. Drafts or other air currents affecting flame pattern 3. Air holes at burner inlet blocked 4. Burner flame holes blocked	1. Properly locate logs (see <i>Installing Logs</i> , page 16) 2. Eliminate source of drafts around heater 3. Clean out air holes at burner inlet. Periodically repeat as needed 4. Remove blockage

# TROUBLESHOOTING

Continued



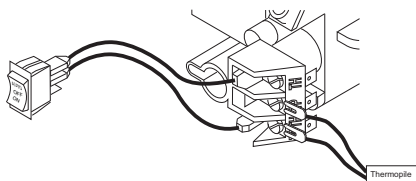
**WARNING: If you smell gas**

- Shut off gas supply.
- Do not try to light any appliance.
- Do not touch any electrical switch; do not use any phone in your building.
- Immediately call your gas supplier from a neighbor's phone. Follow the gas supplier's instructions.
- If you cannot reach your gas supplier, call the fire department.

*IMPORTANT:* Operating fireplace where impurities in air exist may create odors. Cleaning supplies, paint, paint remover, cigarette smoke, cements and glues, new carpet or textiles, etc., create fumes. These fumes may mix with combustion air and create odors. These odors will disappear over time.

OBSERVED PROBLEM	POSSIBLE CAUSE	REMEDY
Fireplace produces unwanted odors	<ol style="list-style-type: none"><li>1. Heater burning vapors from paint, hair spray, glues, cleaners, chemicals, new carpet, etc. (See <i>IMPORTANT</i> statement above)</li><li>2. Low fuel supply (propane/LP only)</li><li>3. Gas leak. <b>See Warning statement above</b></li></ol>	<ol style="list-style-type: none"><li>1. Open window to ventilate room. Stop using odor causing products while heater is running</li><li>2. Refill supply tank (propane/LP only)</li><li>3. Locate and correct all leaks (see <u><a href="#">Checking Gas Connections</a></u>, page 15)</li></ol>
Fireplace shuts off in use (ODS operates)	<ol style="list-style-type: none"><li>1. Not enough fresh air is available</li><li>2. Low line pressure</li><li>3. ODS/pilot is partially clogged</li></ol>	<ol style="list-style-type: none"><li>1. Open window and/or door for ventilation</li><li>2. Contact local natural or propane/LP gas company</li><li>3. Clean ODS/pilot (see <u><a href="#">Cleaning and Maintenance</a></u>, page 24)</li></ol>
Gas odor even when control knob is in OFF position	<ol style="list-style-type: none"><li>1. Gas leak. <b>See Warning statement above</b></li><li>2. Control valve or gas control defective</li></ol>	<ol style="list-style-type: none"><li>1. Locate and correct all leaks (see <u><a href="#">Checking Gas Connections</a></u>, page 15)</li><li>2. Replace control valve or gas control</li></ol>
Gas odor during combustion	<ol style="list-style-type: none"><li>1. Foreign matter between control valve and burner</li><li>2. Gas leak. <b>See Warning statement above</b></li></ol>	<ol style="list-style-type: none"><li>1. Take apart gas tubing and remove foreign matter</li><li>2. Locate and correct all leaks (see <u><a href="#">Checking Gas Connections</a></u>, page 15)</li></ol>

## WIRING DIAGRAM



## SPECIFICATIONS

### Model SVFS32NRK

- Rating (Variable): 17,000/25,000 Btu/Hr
  - Type Gas: Natural Gas Only
  - Ignition: Piezo
  - Pressure Manifold: 3.5" W.C.
  - Inlet Gas Pressure (in. of water):  
Maximum 10.5" W.C., Minimum\* 5" W.C.
  - Shipping Weight: 122 lbs.
- \* For input adjustment

### Model SVFS36NRK

- Rating (Variable): 20,000/33,000 Btu/Hr
  - Type Gas: Natural Gas Only
  - Ignition: Piezo
  - Pressure Manifold: 3.5" W.C.
  - Inlet Gas Pressure (in. of water):  
Maximum 10.5" W.C., Minimum\* 5" W.C.
  - Shipping Weight: 122 lbs.
- \* For input adjustment

### Model SVFS32PRK

- Rating (Variable): 17,000/25,000 Btu/Hr
  - Type Gas: Propan/LP Only
  - Ignition: Piezo
  - Pressure Manifold: 7.9" W.C.
  - Inlet Gas Pressure (in. of water):  
Maximum 13" W.C., Minimum\* 11" W.C.
  - Shipping Weight: 122 lbs.
- \* For input adjustment

### Model SVFS36PRK

- Rating (Variable): 20,000/33,000 Btu/Hr
  - Type Gas: Propan/LP Only
  - Ignition: Piezo
  - Pressure Manifold: 7.9" W.C.
  - Inlet Gas Pressure (in. of water):  
Maximum 13" W.C., Minimum\* 11" W.C.
  - Shipping Weight: 122 lbs.
- \* For input adjustment

## REPLACEMENT PARTS

*Note: Use only original replacement parts. This will protect your warranty coverage for parts replaced under warranty.*

When ordering repair parts, always give the following information:

1. The model number of the heater.
2. The serial number of the heater.
3. The part number.
4. The description of the part.
5. The quantity required.
6. The installation date of the heater.

## SERVICE HINTS

### When Gas Pressure Is Too Low

- pilot will not stay lit
- burners will have delayed ignition
- heater will not produce specified heat
- propane/LP gas supply may be low for propane/LP unit

You may feel your gas pressure is too low. If so, contact your local gas supplier.

If you encounter any problems or have any questions concerning the installation of this heater, please contact your distributor.

For the name of your nearest distributor or dealer contact us at:

[www.lennoxhearthproducts.com](http://www.lennoxhearthproducts.com)

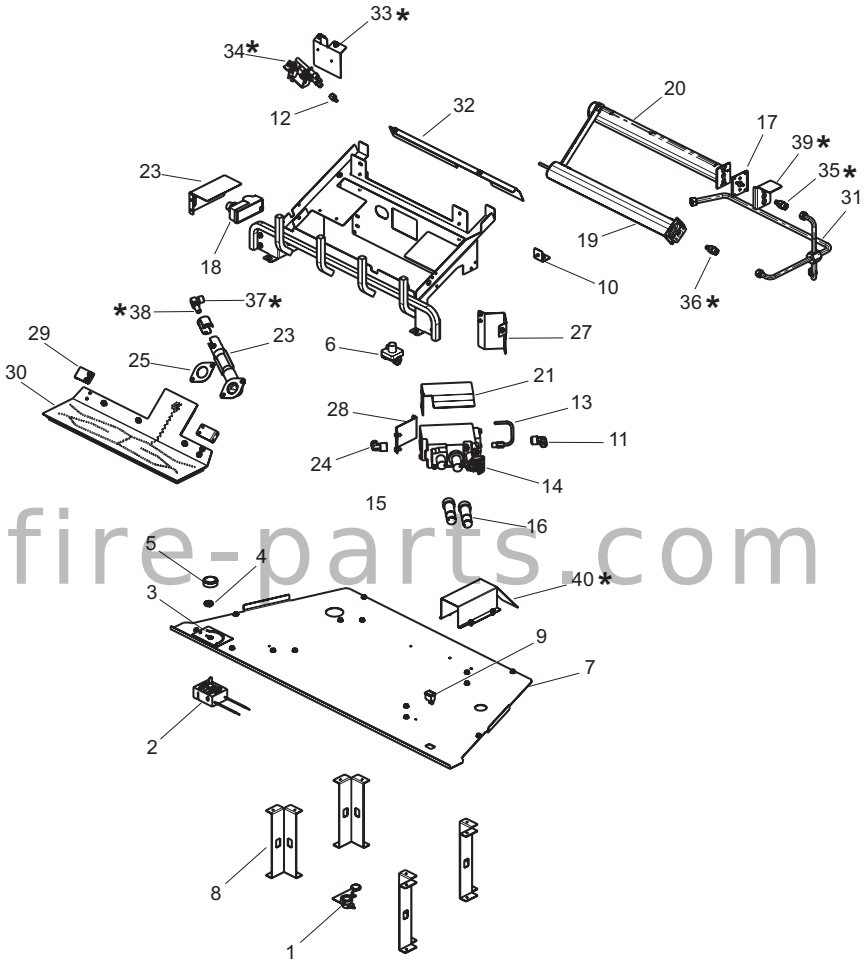
## TECHNICAL SERVICE

You may have further questions about installation, operation, or troubleshooting. If so, contact technical support at 1-800-655-2008. When calling please have your model and serial numbers of your heater ready.

You can also visit LHP's web site at [www.lennoxhearthproducts.com](http://www.lennoxhearthproducts.com).

## PARTS

LOG BASE ASSEMBLY MODELS SVFS32NRK, SVFS32PRK, SVFS36NRK  
AND SVFS36PRK



\* See page 32 for part numbers

## PARTS

This list contains replaceable parts used in your fireplace. When ordering parts, follow the instructions listed under Replacement Parts on page 29 of this manual.

KEY NO.	PART NO.	DESCRIPTION	KEY				QTY.
			SVFS32NRK	SVFS32PRK	SVFS36NRK	SVFS36PRK	
1	126085-01	Thermodisc, Magnetic Bracket	•	•	•	•	1
2	103647-01	Control, Solid State	•	•	•	•	1
3	101449-01	Decal, Control Position	•	•	•	•	1
4	106351-01	Nut, Lock	•	•	•	•	1
5	103650-01	Knob Control	•	•	•	•	1
6	099918-12	Regulator, Pilot	•	•	•	•	1
7	126195-01	Floor 32" Fireplace System	•	•	•	•	1
	126195-02	Floor 36" Fireplace System			•	•	1
8	126196-01	Leg, Floor Support	•	•			3
	126196-01	Leg, Floor Support			•	•	4
9	14607	Switch, Rocker ON/OFF	•	•	•	•	1
10	126200-01	Bracket, Chassis Mounting	•	•	•	•	1
11	098265-02	Elbow, Male	•	•	•	•	1
12	100609-01	Tube, Pilot	•	•	•	•	1
13	099387-09	Tube, Pilot	•	•	•	•	1
	099387-12	Tube, Pilot	•	•	•	•	1
14	103781-05	Valve, Gas NG (0.820.643)	•	•	•	•	1
	103781-06	Valve, Gas LP (0.820.642)			•	•	1
15	103784-01	Knob, Short Extension (Pilot)	•	•	•	•	1
16	103784-02	Knob, Short Extension (HI-LO)	•	•	•	•	1
17	107634-01SA	Plate, NG Conversion	•	•	•	•	1
18	111435-04	Ignitor, Electronic	•	•	•	•	1
19	112465-01	Burner, 18" Ramp Front	•	•	•	•	1
	112465-02	Burner, 24/30" Ramp Front			•	•	1
20	112466-01	Burner, 18" Ramp Rear	•	•	•	•	1
	112466-02	Burner, 24/30" Ramp Rear			•	•	1
21	126368-01	Shield, Remote Valve Heat	•	•	•	•	1
	112715-01SA	Shield, Remote Knob Heat			•	•	1
22	112829-02	Shutter, Air	•	•	•	•	1
23	119321-01	Tube, Venturi	•	•	•	•	1
24	119416-01	Elbow, Male 1/2 X 3/8 Flare	•	•	•	•	1
25	119795-01	Gasket, Burner	•	•	•	•	1
26	126367-01	Bracket, Ignitor	•	•	•	•	1
27	125300-01	Bracket, Remote Valve Support	•	•	•	•	1
28	125300-02	Bracket, Remote Valve Support	•	•	•	•	1
29	125301-01	Bracket, Pan Burner Support	•	•	•	•	2
30	125306-02	Pan Burner Assembly BGE18	•	•	•	•	1
	125306-01	Pan Burner Assembly BGE24/36			•	•	1
31	125468-01	Tube, Burner Inlet	•	•	•	•	1
	125468-02	Tube, Burner Inlet			•	•	1
32	125489-01	Shield, Air 18" BGE	•	•	•	•	1
	125489-02	Shield, Air 24/30/36" BGE			•	•	1

## PARTS

This list contains replaceable parts used in your fireplace. When ordering parts, follow the instructions listed under Replacement Parts on page 29 of this manual.

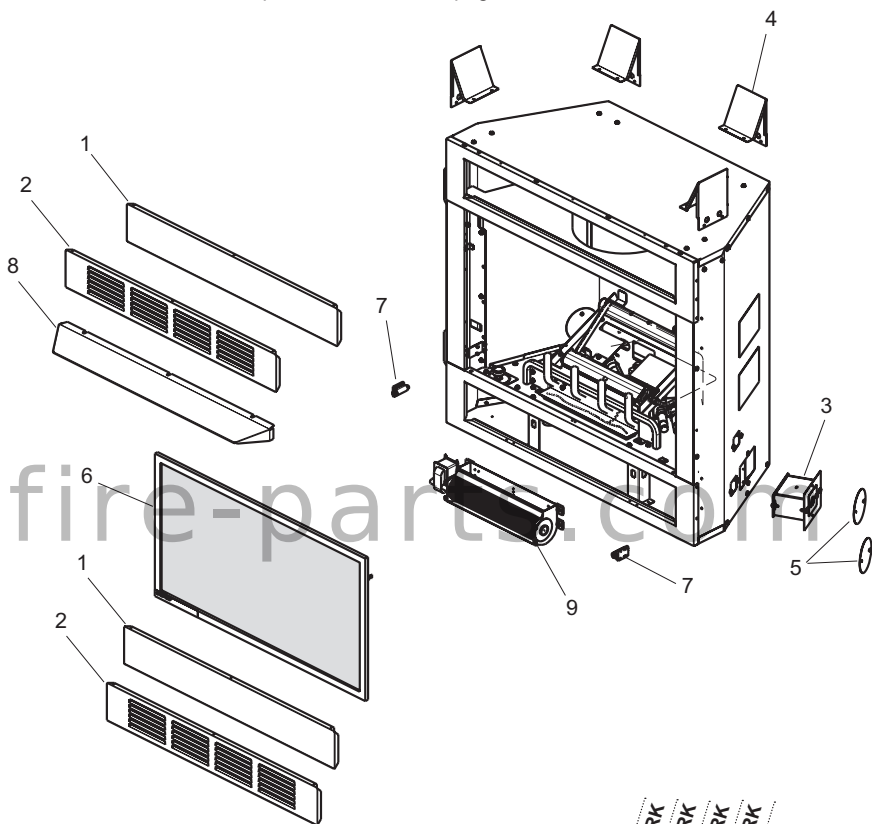
KEY NO.	PART NO.	DESCRIPTION					QTY.
			SVFS32NRK	SVFS32PRK	SVFS36NRK	SVFS36PRK	
33	125550-01	Bracket, Pilot	•				1
	112713-06	Bracket, Pilot		•			1
	112713-01SA	Bracket, Pilot			•		1
34	125339-01	Pilot, ODS Copreci LP		•			1
	103779-01	Pilot, ODS NG.	•		•		1
35	101004-06	Orifice, .0530 (1,35MM) Top	•				1
	101004-26	Orifice, .0380 (0,965MM) Top		•			1
	101004-28	Orifice, .063 (1,60MM) Top			•		1
	101004-24	Orifice, .042 (1,07MM) Top				•	1
36	101004-14	Orifice, .072 (1,82MM) Middle	•				1
	101004-09	Orifice, .040 (1,02MM) Middle		•			1
	101004-11	Orifice, .067 (1,70MM) Middle			•		1
	101004-10	Orifice, .0453 (1,15MM) Middle				•	1
37	111819-10	Orifice, Elbow P53 95 110 Pan.	•				1
	099056-45	Orifice, 0.028 (0,711MM) Pan		•			1
	111819-11	Orifice, Elbow P53 95 300 Pan			•		1
38	124933-01	Orifice, Holder 90 Degree Elbow		•			1
39	121005-01RV	Bracket, Air shield				•	1
40	126382-01	Duct, Air			•	•	1
<b>PARTS AVAILABLE — NOT SHOWN</b>							
	101398-01	Harness, Wire	•	•	•	•	1
	103646-01	Wire, Harness	•	•	•	•	1
	098219-36	Cord, Power Supply	•	•	•	•	1
	103284-03	Wire, Harness	•	•	•	•	1
	100563-01	Plate, Warning	•	•	•	•	1
	125070-01	Kit, Platinum Embers	•	•	•	•	1
	125071-01	Kit, Rockwool Ember	•	•	•	•	1
	103877-01	Plate, Lighting Instructions	•	•	•	•	1
	101628-03	Connector, Flexible	•	•	•	•	1
	098271-12	Cable, Ignitor	•	•	•	•	1
	100639-01	Decal, Caution	•	•	•	•	1
	125557-01	Chunk, Left Ember		•	•		1
	125557-02	Chunk, Middle Ember		•	•		1
	125557-03	Chunk, Right Ember		•	•		1



## PARTS

### FIREPLACE MODELS SVFS32NRK, SVFS32PRK, SVFS36NRK AND SVFS36PRK

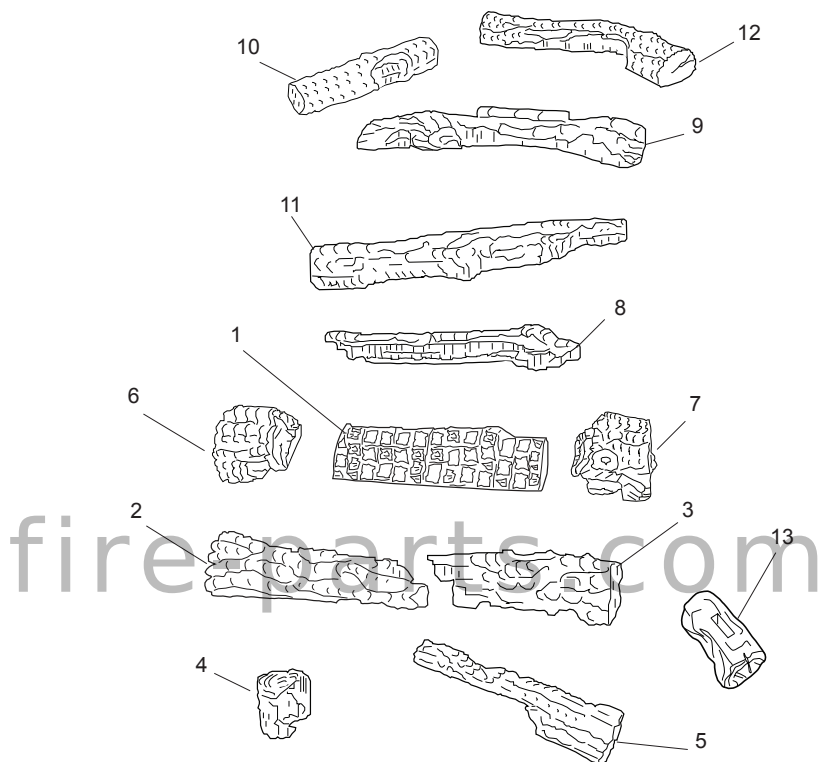
This list contains replaceable parts used in your fireplace. When ordering parts, follow the instructions listed under *Replacement Parts* on page 29 of this manual.



KEY NO.	PART NO.	DESCRIPTION					QTY.
			SVFS32NRK	SVFS32PRK	SVFS36NRK	SVFS36PRK	
1	108423-01	Panel Closure Smooth	•	•			2
	106651-01	Panel Closure Smooth			•	•	2
2	108423-02	Panel Face Top 32" Stamped	•	•			2
	106684-01	Panel Closure Top Louvered 36"			•	•	2
3	110037-01	Electrical Duct Assembly	•	•	•	•	1
4	20280	Spacer, Top	•	•	•	•	4
5	21171	Cover Gas Conduit Plate	•	•	•	•	5
6	126366-01	ASM 32" Fireplace System Screen	•	•			1
	126366-02	ASM 36" Fireplace System Screen			•	•	1
7	125519-01	Magnet, Door Latch	•	•	•	•	2
8	126375-01	Hood 32" Fireplace System	•	•			1
	126375-02	Hood 36" Fireplace System			•	•	1
9	119943-01	Blower	•	•	•	•	1

## PARTS

This list contains replaceable parts used in your heater. When ordering parts, follow the instructions listed under Replacement Parts on page 29 of this manual.



KEY NO.	PART NUMBER		DESCRIPTION	QTY
	SVFS32	SVFS36		
1	125851-01	125852-01	Log, Ramp	1
2	125851-02	125852-02	Log, Left Front	1
3	125851-03	125852-03	Log, Right Front	1
4	125851-04	125852-04	Log, Left Front Ember Bed	1
5	125851-05	125852-05	Log, Right Front Ember Bed	1
6	125851-06	125852-06	Log, Left Middle	1
7	125851-07	125852-07	Log, Right Middle	1
8	125851-08	125852-08	Log, Rear Middle	1
9	125851-09	125852-09	Log, Rear	1
10	125851-10	125851-10	Log, Left Top	1
11	125851-11	125852-11	Log, Middle Crossover	1
12	125851-12	125852-12	Log, Top Rear	1
13	125851-13	125851-13	Log, Switch	1
14	126557-01	126557-02	Complete Log Set	1

## ACCESSORIES

**NOTICE: All accessories may not be available for all fireplace models.**

Purchase these fireplace accessories from your local dealer.

### PERIMETER TRIM ACCESSORY

**SPT32 - Kit 32" Perimeter Trim Black**

**SPT32P - Kit 32" Perimeter Trim Platinum**

**SPT36 - Kit 36" Perimeter Trim Black**

**SPT36P - Kit 36" Perimeter Trim Platinum**

**For all models.** Optional with built-in installation. Provides a finished appearance covering rough and/or unfinished mantel or wall opening, edges, etc.

### BRICK LINER KITS

**SBLQ32SVF - 32" Brick Liner Kit**

**SBLQ36SVF - 36" Brick Liner Kit**

### REMOTE CONTROLS

**RC-S-Touch:**

State-of-the-art control with touch screen operation

**RC-S-MODMV:**

Flame and Heat modulation

**RC-S-1:**

Manual or up to 3 hr Countdown Timer modes

**RC-S-STAT:**

Thermostatic or Manual modes

### WALL CONTROLS

**WS-S-STAT:**

Wall Control

**WS-S-TMR:**

Wall Control

fire-parts.com

fire-parts.com

1508 Elm Hill Pike, Suite 108  
Nashville, TN 37210  
**[www.lennoxhearthproducts.com](http://www.lennoxhearthproducts.com)**

126543-01  
Rev. A  
07/13