



# Decorative Gas Appliance Model: GBR36

## INSTALLER/CONSUMER SAFETY INFORMATION

**PLEASE READ THIS MANUAL  
BEFORE INSTALLING AND USING  
APPLIANCE.**

**IMPORTANT:** Read all instructions and warnings carefully before starting installation. Failure to follow these instructions may result in a possible fire hazard and will void the warranty.

**WARNING:** If the information in this manual is not followed exactly, a fire or explosion may result causing property damage, personal injury or loss of life.

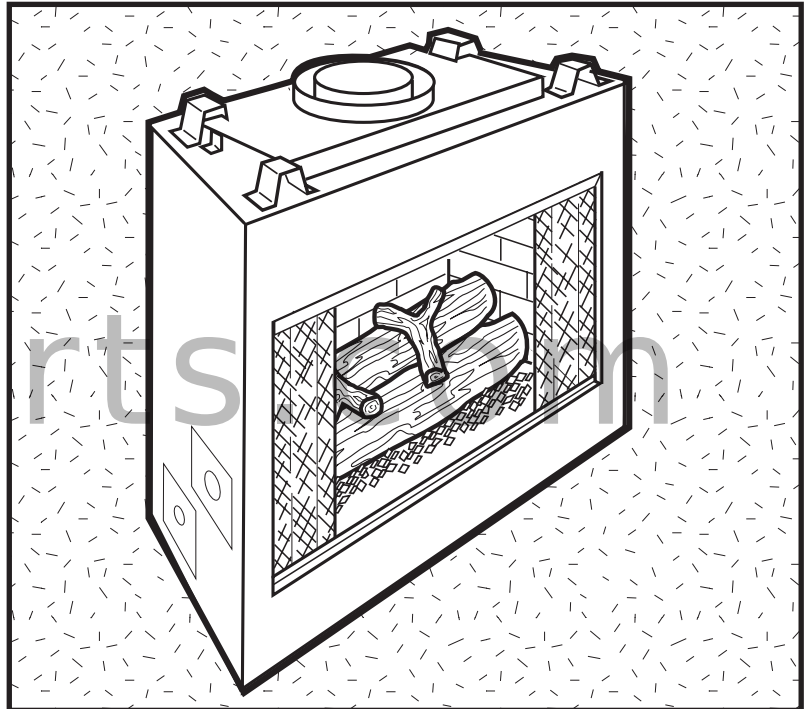
### FOR YOUR SAFETY

Installation and service must be performed by a qualified installer, service agency, or the gas supplier. Do not store or use gasoline or other flammable vapors and liquids in the vicinity of this or any other appliance.

### FOR YOUR SAFETY

If you smell gas:

1. Open windows
2. Do not touch electrical switches.
3. Do not try to light any appliance.
4. Extinguish any open flame.
5. Do not use the phone in your building.
6. Immediately call your gas supplier from a neighbor's phone.
7. Follow your gas supplier's instructions.
8. If you cannot reach your gas supplier, call the fire department.



## Homeowner's Installation and Operating Manual



**INSTALLER:** Leave this manual with the appliance.  
**CONSUMER:** Retain this manual for future reference.

# Table of Contents

Thank you and Congratulations on your purchase of a Majestic Fireplaces fireplace.

**PLEASE READ THE INSTALLATION & OPERATING INSTRUCTIONS BEFORE USING THE APPLIANCE**

**IMPORTANT: Read all instructions and warnings carefully before starting installation. Failure to follow these instructions may result in a possible fire hazard and will void the warranty.**

<b>Installation &amp; Operating Instructions</b> .....	3
General Information.....	3
Fireplace Dimensions.....	4
Clearance to Combustibles .....	5
Mantels .....	5
Mantel Chart.....	5
Hearth .....	5
Framing & Finishing .....	6
Final Finishing .....	6
Gas Specifications.....	6
Gas Inlet & Manifold Pressures.....	6
High Elevations .....	6
Parts Identification and Chase Installation .....	7
Gas Line Installation.....	7
Remote Wall Switch .....	8
EB-1 Electrical Box.....	9
Install the Venting System, Flashing, and Termination.....	9
Venting Runs.....	10
<b>Operating Instructions</b> .....	11
Glass Information.....	11
Glass Cleaning.....	11
Log Installation .....	11
Ember Material Placement.....	11
Lava Rock .....	11
First Firing .....	12
Flame Adjustment.....	12
Flame Characteristics.....	12
Inspecting the Venting System.....	12
Lighting & Operating Instructions .....	13
Troubleshooting.....	15
Fuel Conversion Instructions.....	18
<b>Maintenance</b> .....	20
<b>Replacement Parts</b> .....	21
<b>Accessories</b> .....	24
<b>Warranty</b> .....	25

## General Information

This gas appliance should be installed by a qualified installer in accordance with local building codes and with current **CSA-B149.1** Installation codes for Gas Burning Appliances and Equipment.

FOR U.S.A Installations follow local codes and/or the current **National Fuel Gas Code. ANSI Z223.1/NFPA 54.**

In the Commonwealth of Massachusetts, all gas fittings and installation of this heater shall only be done by a licensed gas fitter or licensed plumber.

FOR SAFE INSTALLATION AND OPERATION OF YOUR NATURAL DRAFT APPLIANCE PLEASE NOTE THE FOLLOWING:

1. This appliance gives off high temperatures and should be located out of high traffic areas and away from furniture and draperies.
2. Children and adults should be alerted to the hazards of the high surface temperatures of this appliance and should stay away to avoid burns or ignition of clothing.
3. Children should be carefully supervised when they are in the same room as your appliance.
4. Under no circumstances should this appliance be modified. Parts having to be removed for servicing should be replaced prior to operating this appliance again.
5. Installation and any repairs to this appliance should be carried out by a qualified service person. A professional service person should be contacted to inspect this appliance annually. Make it a practice to have all of your gas appliances checked annually. More frequent cleaning may be required due to excess lint and dust from carpeting, bedding material, etc.
6. Control compartments, burners and air passages in this appliance should be kept clean and free of dust and lint. Make sure that the gas valve and pilot light are turned off before you attempt to clean this unit.
7. The venting system (chimney) of this appliance should be checked at least once a year and if needed your venting system should be cleaned.
8. Keep the area around your appliance clear of combustible materials, gasoline and other flammable vapor and liquids. This appliance should not be used as a drying rack for clothing, nor should Christmas stockings or decorations be hung in the area of it.
9. Under no circumstances should any solid fuels (wood, coal, paper or cardboard etc.) be used in this appliance.
10. The flow of combustion and ventilation air must not be obstructed in any way.
11. Whether the appliance is installed directly on carpeting, vinyl tile or any combustible material other than wood, this appliance must be installed on a metal or wood panel extending the full width and depth of the appliance.
12. This appliance requires adequate ventilation and combustion air to operate properly.

**WARNING: Check with your electronics manufacturer before installing a television or other electronic device above this fireplace.**

## Description

GBR Series are radiant natural draft appliances and use a 4" B-vent system. Do not burn wood or other materials in these appliances. Each model is available with standing pilot or electronic ignition for use with Natural or Propane gas units.

Report to your dealer any parts damaged in shipment.

Adequate combustion and ventilation air must be provided. The flow of combustion and ventilation air **MUST NOT** be obstructed.

Provide adequate clearances around the air opening into the combustion chamber; and adequate accessibility clearance for servicing and proper operation. **NEVER** obstruct the front opening of the appliance.

The 4" vent system **MUST** connect to the appliance and terminate out-of-doors in a vertical position and terminate with a B-vent cap.

This appliance must not be connected to a chimney flue servicing a separate solid-fuel burning appliance.

A draft hood is an integral part of the appliance.

### GBR36

#### Certified to

ANSI Z21.50a-2008 / CSA 2.22a-2008  
Vented Gas Fireplace

**Proposition 65 Warning:** Fuels used in gas, wood-burning or oil fired appliances, and the products of combustion of such fuels, contain chemicals known to the State of California to cause cancer, birth defects and other reproductive harm.

California Health & Safety Code Sec. 25249.6

## IMPORTANT:

### PLEASE READ THE FOLLOWING CAREFULLY

Remove any plastic from trim parts before turning the fireplace "ON".

It is normal for fireplaces fabricated of steel to give off some expansion and/or contraction noises during the start up or cool down cycle. Similar noises are found with your furnace heat exchanger or car engine.

It is not unusual for your gas fireplace to give off some odor the first time it is burned. This is due to the curing of the paint and any undetected oil used in the manufacturing process.

**Please ensure that your room is well ventilated. Open all windows.**

It is recommended that you burn your fireplace for at least ten (10) continuous hours the first time you use it. If the optional fan kit has been installed, place the fan switch in the "OFF" position during this time.

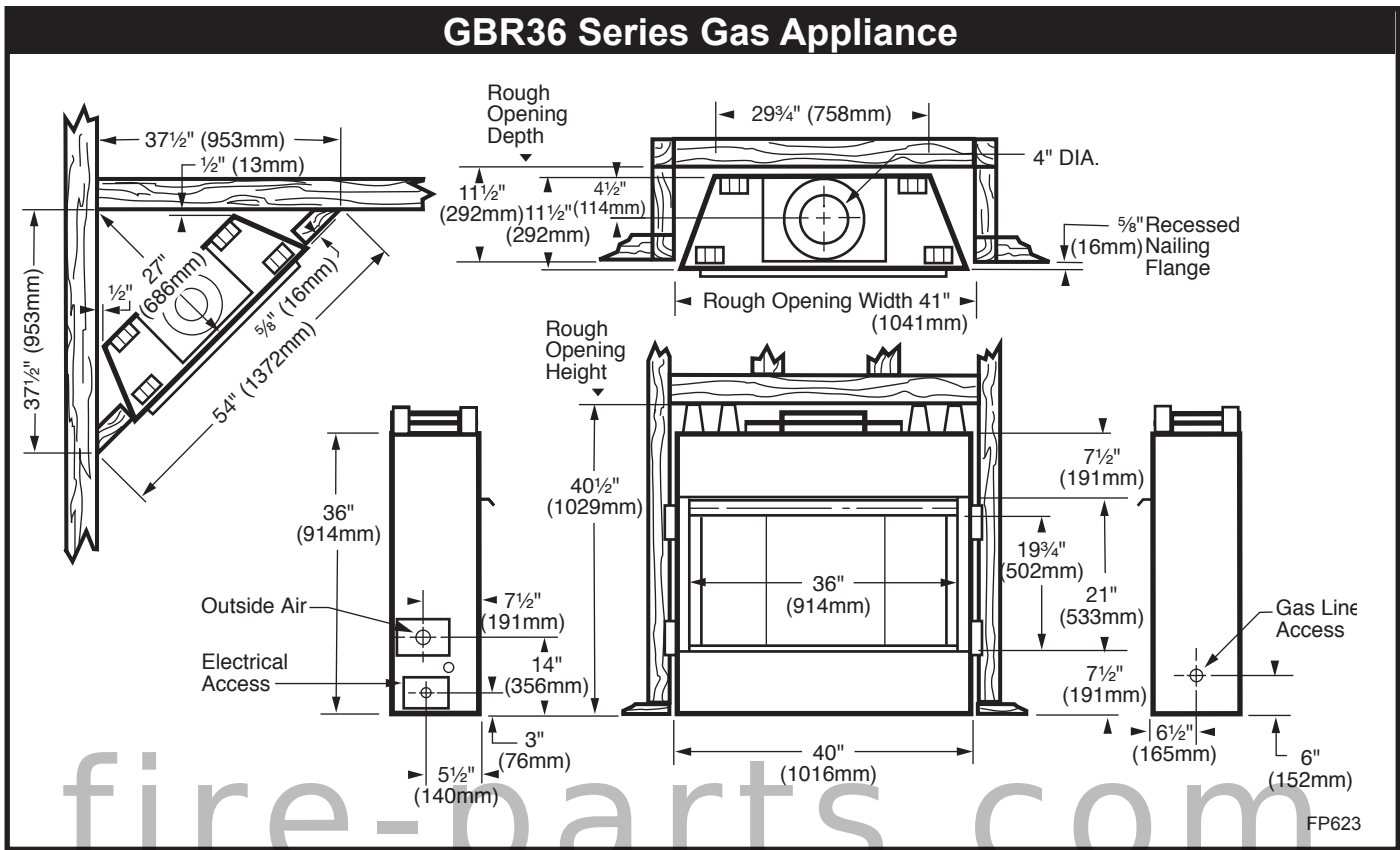


Fig. 1 GBR36 Series specification and framing dimensions.

### Clearance to Combustibles

#### Appliances

Top .....	0" (0 mm)
Bottom.....	0" (0 mm)
Side.....	0" (0 mm)
Back.....	0" (0 mm)
Perpendicular Sidewall .....	0" (0 mm)
Top of unit to ceiling .....	36" (914 mm)
Front of unit to combustibles.....	36" (914 mm)

#### Venting

B-Vent .....	1" (25 mm)
--------------	------------

### Mantels

The height that a combustible mantel is fitted above the fireplace is dependent on the depth of the mantel. This also applies to the distance between the mantel leg (if fitted) and the fireplace.

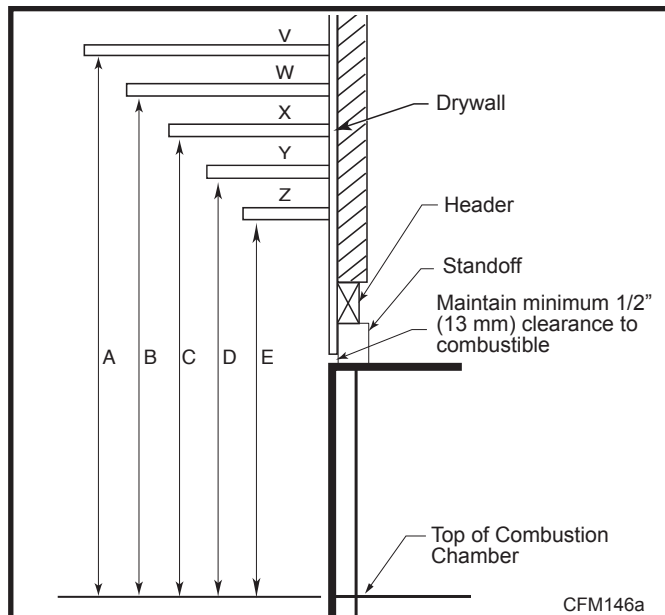
For the correct mounting height and widths refer to Figures 2a and 2b.

Noncombustible mantels and legs may be installed at any height and width around the appliance.



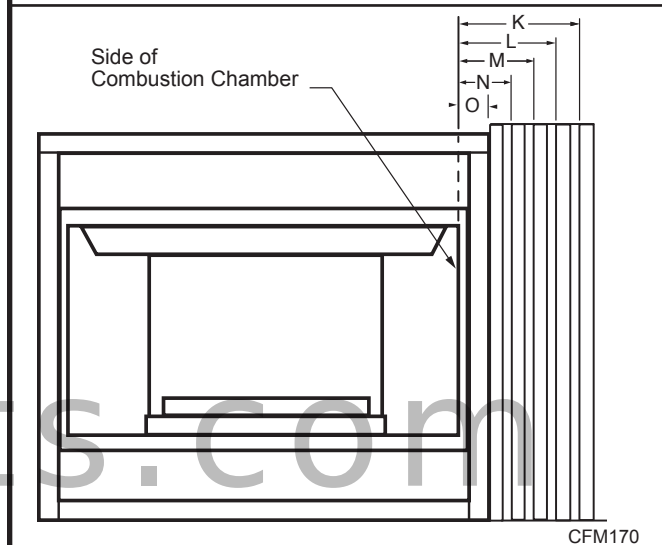
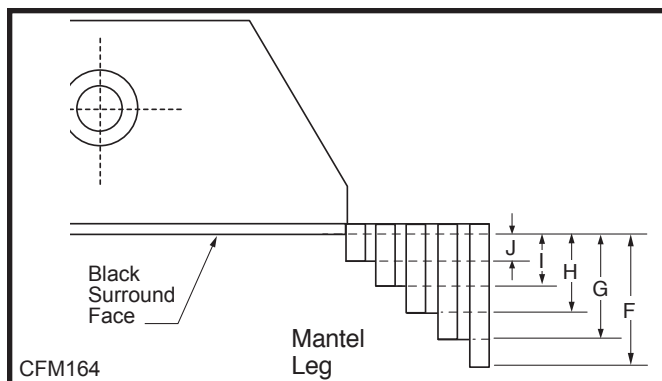
**When using paint or lacquer to finish the mantel, such paint or lacquer must be heat resistant to prevent discoloration.**

**NOTE:** Place header on end to maintain proper clearance to 'B' vent.



Ref.	Mantel Shelf Depth	Ref.	Mantel From Top of Comb. Chamber
V	14" (356 mm)	A	25" (635 mm)
W	12" (305 mm)	B	23" (584 mm)
X	10" (254 mm)	C	21" (533 mm)
Y	8" (203 mm)	D	19" (483 mm)
Z	1½" (38 mm)	E	15" (381 mm)

Fig. 2a Combustible mantel minimum installation.



Ref.	Mantel Leg Depth	Ref.	Mantel Leg From of Comb. Opening
F	14" (356 mm)	K	14" (356 mm)
G	12" (305 mm)	L	12" (305 mm)
H	10" (254 mm)	M	10" (254 mm)
I	8" (203 mm)	N	8" (203 mm)
J	1½" (38 mm)	O	1½" (38 mm)

Fig. 2b Combustible mantel leg minimum installation.

### Hearth Extension

A hearth extension in front of appliance is recommended but **not required**.

### Insulating for Cold Climates

When an appliance is installed in a chase or an outside wall, the enclosure should be insulated like any other wall of the home. Insulation should be installed under the appliance and on the inside of the exterior walls.

In a chase, it is a good idea to install a firestop at the first ceiling level above the appliance. Also, install insulation on the side walls. Insulation may then be placed above the ceiling to assure the space around the appliance is protected. Refer to Page 7, Figure 4.

**!** Be sure to always maintain the proper one (1) inch distance to combustibles around B-vent pipe sections.

**NOTE:** Insulating for cold climates is strictly a recommendation and not a requirement.

### Framing and Finishing

**!** Check appliance to make sure it is levelled and properly positioned.

The appliance should only be mounted on the following surfaces:

- A flat combustible (burnable) surface.
- A raised wooden platform.
- A concrete block or other solid object placed beneath each of the four corners of the appliance.

To mount the appliance:

1. Choose unit location.
2. Four (4) nailing flanges are supplied with the fireplace (found on the fireplace hearth). To level the box and secure it firmly in place, remove the nailing flanges from the hearth and install at the sides of the fireplace as shown in Figure 3.

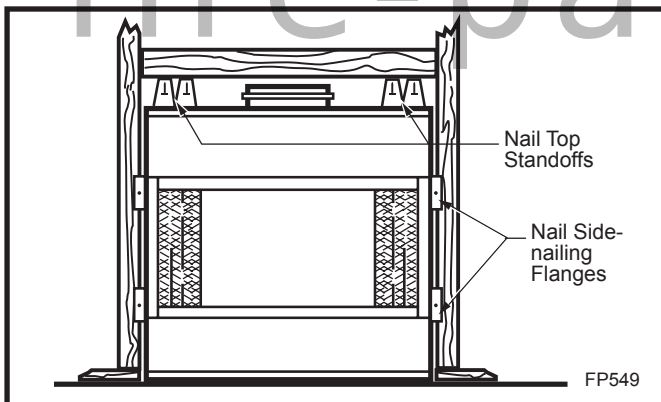


Fig. 3 Adjustable drywall strip (nailing flange).

### Finishing

**!** **CAUTION:** All joints between the finished wall and the appliance surround (top and sides) may be sealed only with non-combustible material. Only noncombustible material can be applied as facing to the appliance surround (the black painted face).

When finishing the appliance, never obstruct or modify the air inlet/outlet grilles in any manner.

Finish the wall with the material of your choice. Refer to Figures 2a and 2b for specific clearances when installing a combustible mantel or other combustible projection.

### Gas Specifications

Model	Fuel	Gas Control	Max. Input	Min. Input
GBR36RN	Natural	Millivolt Hi/Lo	22,000	15,500
GBR36RP	Propane	Millivolt Hi/Lo	22,000	16,000
GBR36EN	Natural	Electronic Ignition	22,000	15,500
GBR36EP	Propane	Electronic Ignition	22,000	16,000

### Air Shutter Settings

Model	Setting
GBR36RN	1/16"
GBR36RP	Fully Open
GBR36EN	1/16"
GBR36EP	Fully Open

### Gas Inlet & Manifold Pressures

	Natural	LP
Minimum Inlet Pressure	5.5" w.c.	11" w.c.
Maximum Inlet Pressure	14.0" w.c.	14.0" w.c.
Manifold Pressure	3.5" w.c.	11" w.c.

### High Elevations

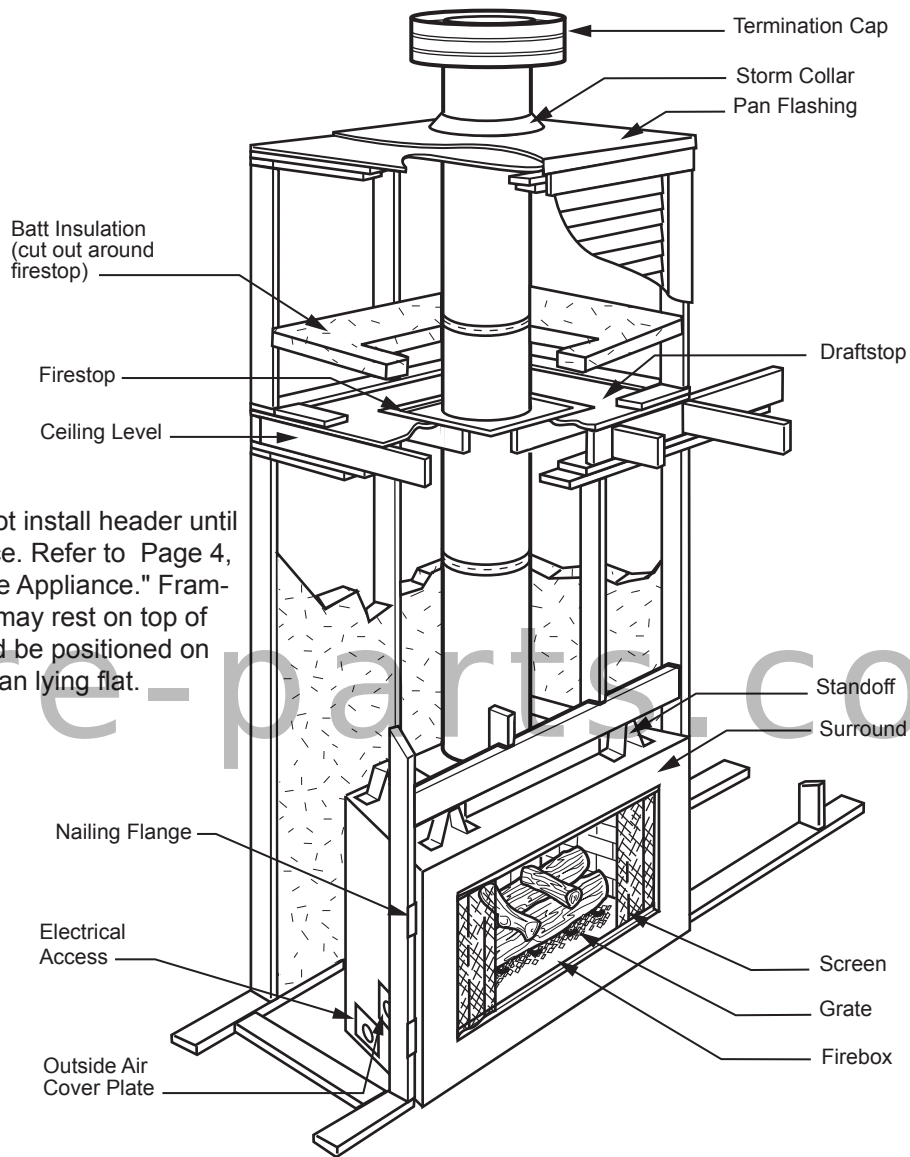
Input ratings are shown in BTU per hour and are certified without deration for elevations up to 4,500 feet (1,370 m) above sea level.

For elevations above 4,500 feet (1,370 m) in USA, installations must be in accordance with the current ANSI Z223.1/NFPA 54 and/or local codes having jurisdiction.

In Canada, please consult provincial and/or local authorities having jurisdiction for installations at elevations above 4,500 feet (1,370 m).

## Parts Identification and Chase Installation

(Insulation methods shown are optional for cold climate, not a requirement for unit operation.)



**NOTE:** Do not install header until unit is in place. Refer to Page 4, "Mounting the Appliance." Framing headers may rest on top of standoffs and be positioned on end rather than lying flat.

FP625

Fig. 4 Parts identification and system installation.

### Gas Line Installation

This appliance must be isolated from the gas supply piping system by closing its individual manual shut off valve during any pressure equal to or less than 1/2 psig (3.45 kPa).

The appliance and its individual shutoff valve must be disconnected from the gas supply piping system during any pressure testing of that system at test pressures in excess of 1/2 psig (3.45 kPa).


If gas piping from the source to the appliance location has not been accomplished, install the required pipe. Consult local plumbing code to assure proper pipe size.

The gas pipeline can be brought in through the right side of the appliance. An access hole is provided to allow for the gas pipe installation and testing of any gas connection. It is most convenient to bring the gas line in from the right side, as this allows fan installation or removal without disconnecting the gas line.

**NOTE:** The gas line connection can be made with 3/8" copper tubing, 1/2" rigid pipe or an approved flex connector, then reduced to 3/8" to the appliance. Because some municipalities have some additional local codes, it is always best to consult your local authority.

**U.S.:** Consult the current National Fuel Gas Code, ANSI Z223.1/NFPA 54/

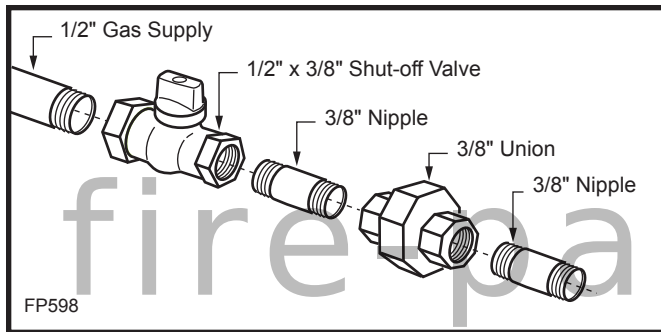
**Canada:** CSA - B149.1 installation code.

 **Always check for gas leaks with a mild soap and water solution. Apply water/soap solution with brush only - do not over apply. NEVER test with an open flame.**

The gas control is equipped with a captured screw type pressure test point, therefore it is not necessary to provide a 1/8" test point up stream of the control.

When using copper or flex connector use only approved fittings. **Always provide a union** so that gas line can be easily disconnected for burner or fan servicing.


See gas specification for pressure details and ratings. **NOTE:** If flex connector is used, it must be kept inside of the appliance. (Fig. 5)

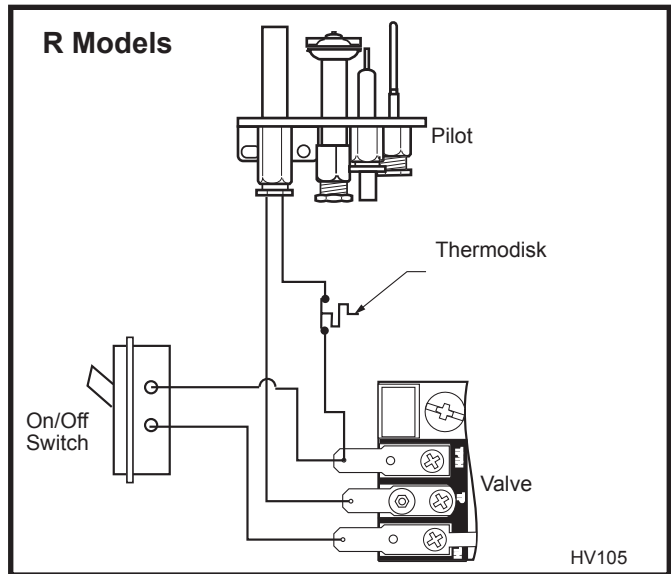


**Fig. 5** Typical gas supply installation.

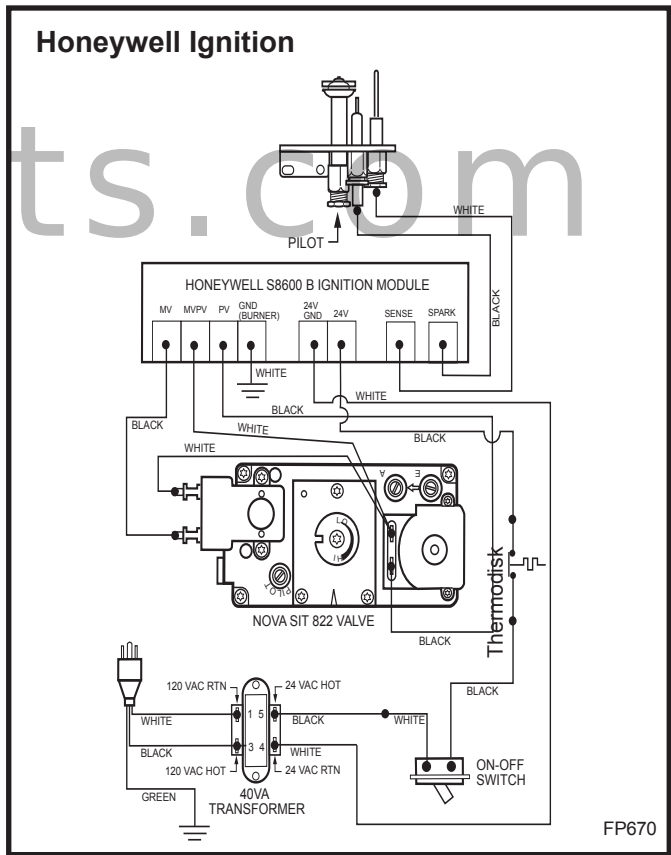
### Remote Wall Switch

1. Thread wire through the electrical knockout located on side of unit. Do not cut wire or insulation on metal edges. Ensure that wire is protected. Run the other end to a conveniently located wall receptacle box.
2. Attach wire to switch and install switch into receptacle box. Attach cover plate to switch.
3. Connect wiring to gas valve. Refer to Figure 6 or 7, depending upon which diagram is appropriate.

 **CAUTION: DO NOT WIRE MILLIVOLT REMOTE WALL SWITCH FOR GAS APPLIANCE TO A 120V POWER SUPPLY.** For lighting instructions, refer to Page 13.



**Fig. 6** Remote switch wiring for R Models.



**Fig. 7** Remote switch wiring for E Models.



## EB-1 Electrical Box



The fireplace, when installed, must be electrically connected and grounded in accordance with local codes or, in the absence of local codes, with the current CSA C22.1 Canadian Electrical Code.



For USA installations, follow local codes and the National Electrical Code, ANSI/NFPA No. 70.



It is strongly suggested that the wiring of the EB-1 electrical junction box be carried out by a licensed electrician.



Ensure that the power to the supply line has been disconnected before commencing this procedure.

Once the fireplace is secured, complete wiring the fan kit. Remove knockout in the center of the back of the EB1 and install listed cable clamps. Feed electrical wire through cable clamp leaving approximately six (6) inches of wire exposed through the EB1. Secure cable clamp to the wire.

Attach white wire from power source to one (1) wire of receptacle and secure with a nut. Attach black wire from power source to the other wire of the receptacle and secure with a nut. Be sure nuts are tightened securely.

Secure the EB1 assembly to the inside of the electrical box coverplate using two (2) screws. Attach the cover to the face of the EB1 while being careful to position excess wire completely within the EB1. Attach the coverplate to the fireplace. (Fig. 8)

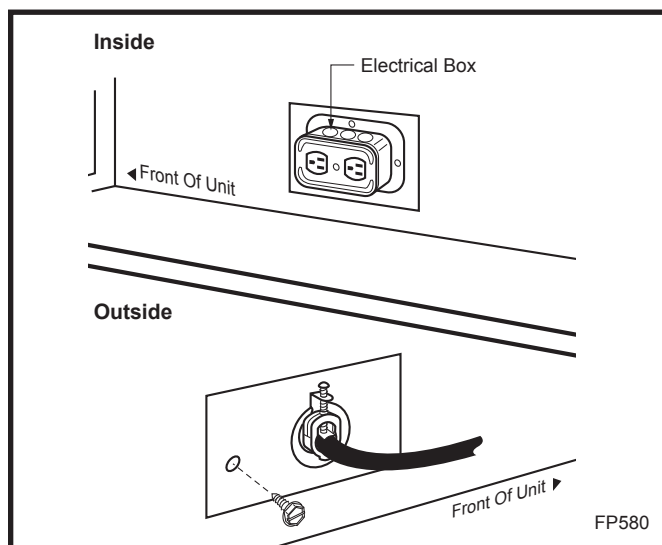


Fig. 8 Junction box (EB-1) hook-up.

## Install the Venting System, Flashing and Termination

See venting installation instructions provided by the B-Vent manufacturer.

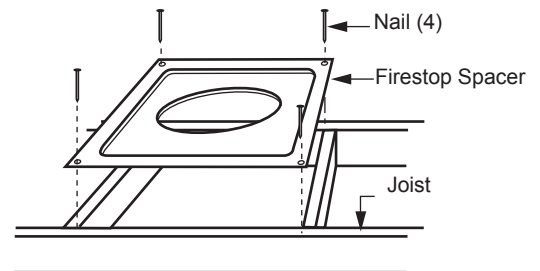
Refer to Page 4, Figure 1 to locate chimney centerline dimension from a combustible back wall.

- Minimum vertical chimney height — 12 feet (3.65m).
- Maximum vertical height — 40 feet (12m).
- Minimum height with two 90° elbows — 16 feet (4.06m)
- Elbow requirements allow a maximum of two 90 degree elbows or four 45 degree elbows per installation. (Two 45 degree elbows = One 90 degree elbow.) See venting chart for proper elbow offset runs. Use Figure 10 for GBR36 installations when not installing the GSKBB Single Panel Glass Door. Use Figure 11 for GBR36 installations when installing the GSKBB Single Panel Glass Door.

For firestop positioning, refer to Figure 9. Only one (1) firestop required per frame. **NOTE:** A firestop is not required at the roof.

### Attic Installation

Firestop position when area above ceiling is an attic.



### Ceiling Installation

Firestop position when area above ceiling is NOT an attic.

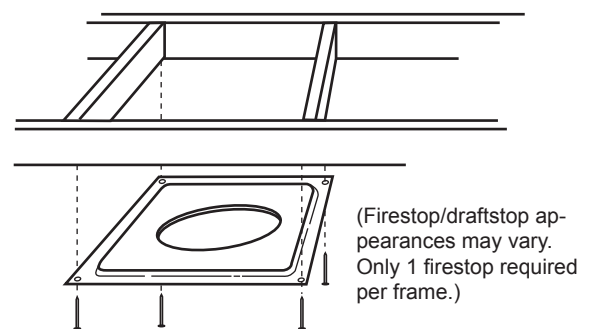


Fig. 9 Firestop/draftstop positions.

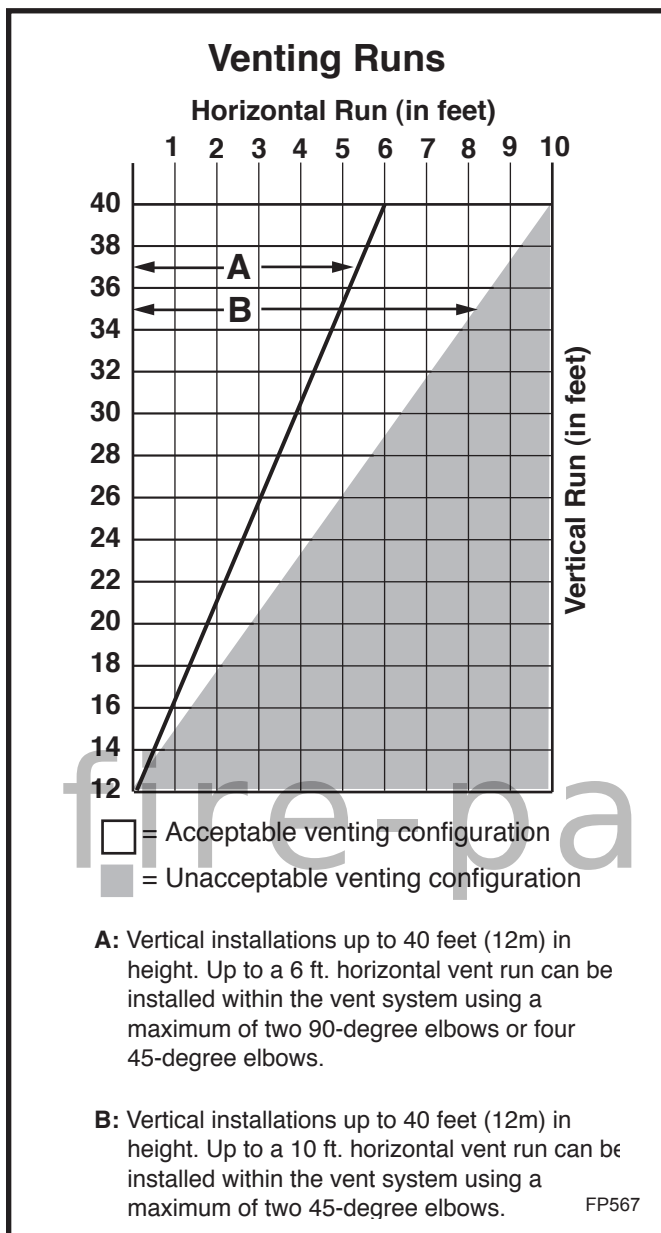


Fig. 10 Venting configurations.

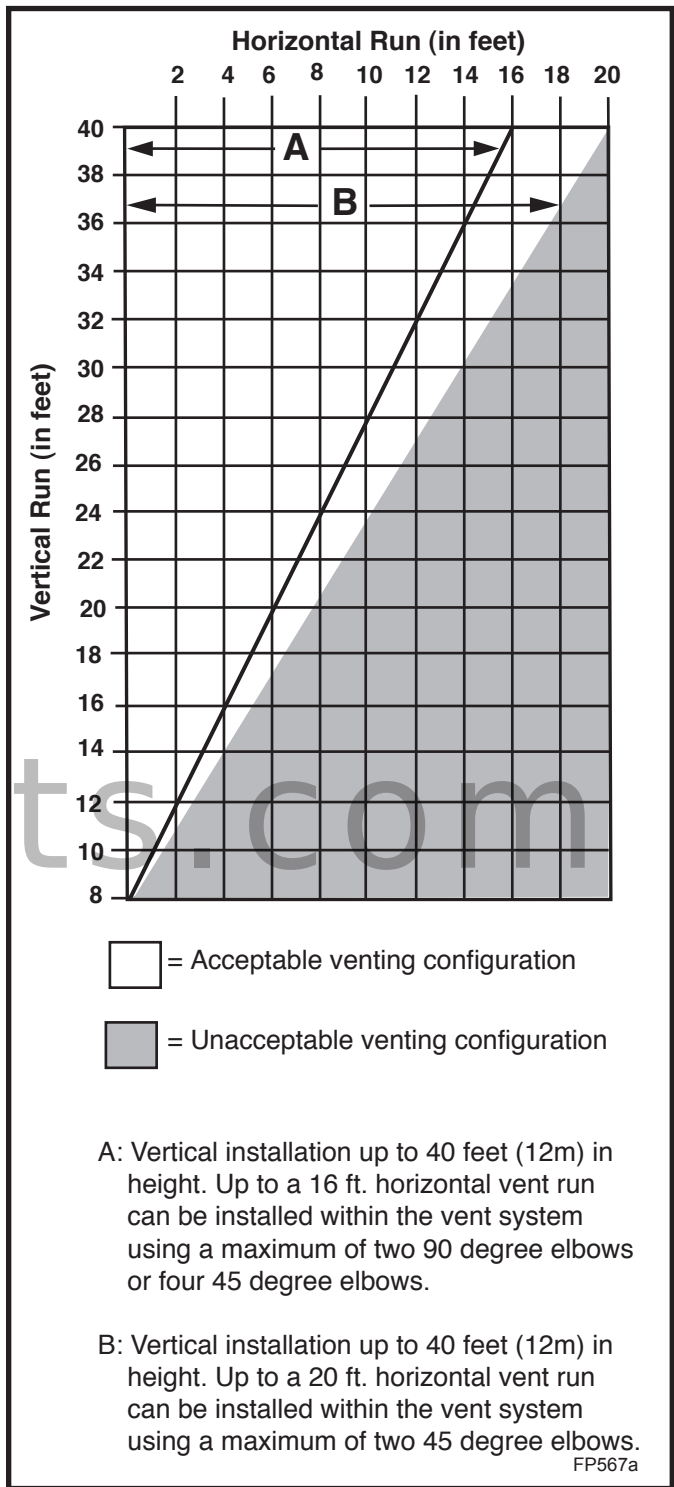


Fig. 11 Venting configurations when installing 36GSKBB.

## Operating Instructions

### Glass Information



**Only glass approved for use in Majestic Fireplaces products may be used for replacement.**

- Glass doors are optional. The appliance may be operated safely without glass doors.
- The use of any non-approved replacement glass will void all product warranties.
- Bi-fold glass doors **MUST BE** completely open or closed while the appliance is in operation.
- Care must be taken to avoid breakage of the glass.
- Under no circumstances should this appliance be operated with broken glass. Replacement of the glass as supplied by the manufacturer should be completed by a licensed qualified service person.
- Replacement glass is available through your Majestic Fireplaces dealer and should only be installed by a licensed qualified service person.

WARNING

**HOT GLASS WILL CAUSE BURNS.**

**DO NOT TOUCH GLASS UNTIL COOLED.**

**NEVER ALLOW CHILDREN TO TOUCH GLASS.**

### Glass Cleaning

It will be necessary to clean the glass periodically. During start-up, condensation, which is normal, forms on the inside of the glass and causes lint, dust and other airborne particles to cling to the glass surface. Also, initial paint curing may deposit a slight film on the glass. It is therefore recommended that the glass be cleaned two or three times with a non-ammonia household cleaner and warm water (we recommend gas fireplace glass cleaner). After that the glass should be cleaned two or three times during each heating season depending on the circumstances present.



**Clean glass after first two weeks of operation.**

### Log Installation

1. Open glass door (if installed).
2. Remove logs from the packaging. (As with all plastic, these bags are not toys and should always be kept away from children and infants.)

3. Place rear log on back bracket. Ensure that log is firmly positioned and there is no side-to-side movement.
4. Place the front log on the front burner (starting toward the rear of the front burner) and slide it forward until the notches lock into place.
5. Place the top logs onto the locator notches. Ensure that the logs are secure. (Fig. 12)

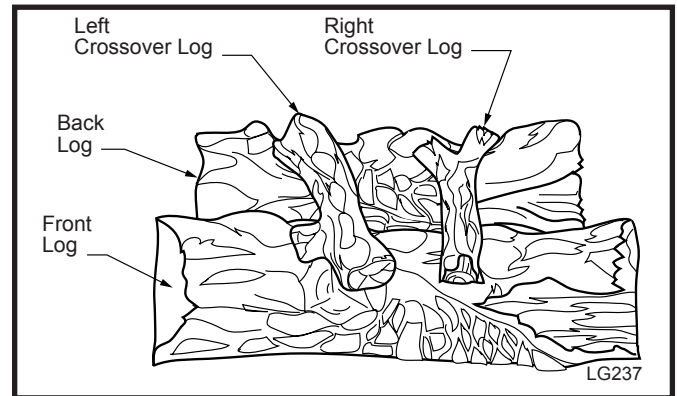


Fig. 12 GBR36 log placement.

### Ember Material Placement

Separate the ember material into small pieces, roughly 1/2" in diameter and place on the front burner tube. Do not pack down; leave in loose, fluffy condition for most realistic ember effect. (Fig. 13)

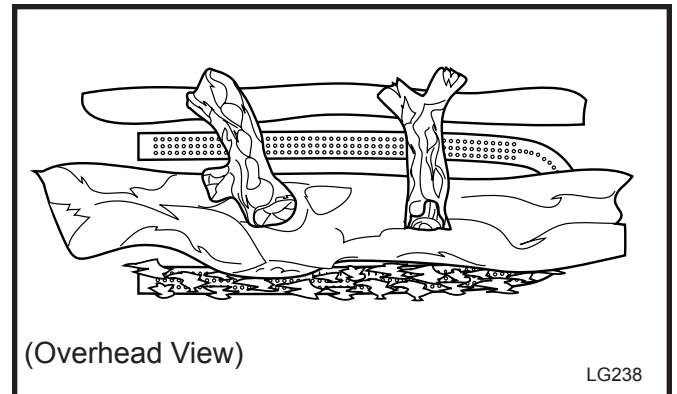


Fig. 13 Ember placement.

### Lava Rock

The lava rock provided with this fireplace must be placed on the firebox base on either side of the burner assembly.



**Under no circumstances should lava rock be placed on any part of the burner assembly.**

### First Firing

Upon completing the gas line connection, a small amount of air will be trapped in the line. When first lighting the unit with pilot light, it will take a few minutes to purge the trapped air. Once purging is complete, the pilot and burner will light and operate as indicated in the instruction manual. Subsequent lightings of the appliance will not require purging.

When lit for the first time, the appliance will emit a slight odor for an hour or two. This is due to paint and lubricants used in the manufacturing process. After each lighting, vapor may condense and fog the glass; this moisture disappears in a few minutes of burning.

### Flame Adjustment

For units equipped with Hi/Lo valves, flame adjustment is accomplished by rotating the Hi/Lo adjustment knob located near the center of the gas control.



Fig. 14 Flame adjustment on gas valve (standing pilot only).

### Flame Characteristics

It is important to periodically perform a visual check of the pilot and the burner flames. Compare them to the illustrations below (Figs. 15, 16). If any of the flames appear abnormal call a service person.

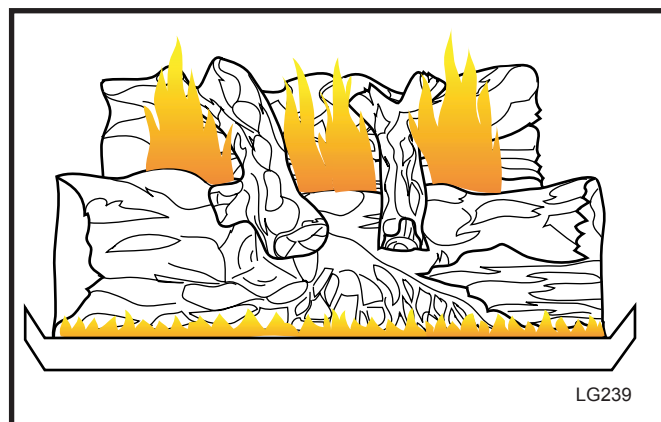


Fig. 15 Approximate flame height.

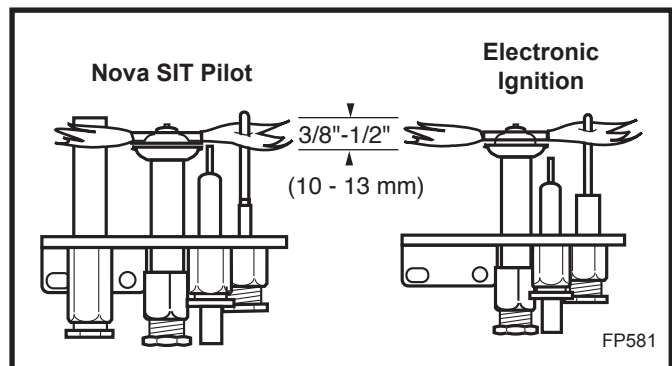


Fig. 16 Proper pilot flame height.

### Inspecting the Venting System

The appliance venting system was designed and constructed to develop a positive flow adequate to remove flue gases to the outside atmosphere.

Any foreign objects in the venting system, except those designed specifically for the venting system, may cause spillage of flue gases (i.e.: carbon monoxide) into the room.

To inspect the venting system, make sure the main gas valve is off. Remove the glass panel. Using a flashlight, check the combustion dome and behind the top grille. Clean if necessary.


# Lighting and Operating Instructions

## FOR YOUR SAFETY READ BEFORE LIGHTING

**WARNING:** If you do not follow these instructions exactly, a fire or explosion may result causing property damage, personal injury or loss of life.

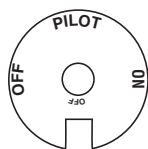
- This heater has a pilot which must be lit manually. When lighting the pilot follow these instructions exactly.
  - BEFORE LIGHTING** smell all around the heater area for gas. Be sure to smell next to the floor because some gas is heavier than air and will settle on the floor.
- WHAT TO DO IF YOU SMELL GAS**
- Do not try to light any fireplace
  - Do not touch any electric switch
  - Do not use any phone in your building
  - Immediately call your gas supplier from a neighbor's phone. Follow the gas supplier's instructions.
- If you cannot reach your gas supplier, call the Fire Department
- Use only your hand to push in or turn the gas control knob. Never use tools. If the knob will not push in or turn by hand, do not try to repair it, call a qualified service technician. Applying force or any attempted repair may result in a fire or explosion.
  - Do not use this fireplace if any part has been under water. Immediately call a qualified service technician to inspect the heater and to replace any part of the control system and any gas control which has been under water.

## Lighting Instructions

- STOP!** Read the safety information above.
- Turn **OFF** all electrical power to the fireplace.
- For MN/MP/TN/TP appliances **ONLY**, go on to Step 4. For RN/RP appliances turn the On/Off switch to "**OFF**" position or set thermostat to lowest level.
- Open control access panel.
- Push in gas control knob slightly and turn clockwise  to "**OFF**".
- Push the control knob all the way in and hold. Immediately light the pilot by repeatedly depressing the piezo spark igniter until a flame appears. Continue to hold the control knob in for about one (1) minute after the pilot is lit. Release knob and it will pop back up. Pilot should remain lit. If it goes out, repeat steps 5 through 8.




Euro SIT

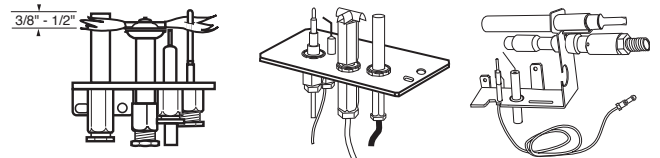


SIT NOVA




Honeywell

- Wait five (5) minutes to clear out any gas. Then smell for gas, including near the floor. If you smell gas, **STOP!** Follow "B" in the safety information above. If you do not smell gas, go to the next step.
- Remove glass door before lighting pilot. (See Glass Frame Removal section).
- Visibly locate pilot by the main burner.
- Turn knob on gas control counterclockwise  to "**PILOT**".
- If knob does not pop up when released, stop and immediately call your service technician or gas supplier.
- If after several tries, the pilot will not stay lit, turn the gas control knob to "**OFF**" and call your service technician or gas supplier.
- Replace glass door.
- Turn gas control knob to "**ON**" position.
- For RN/RP appliances turn the On/Off switch to "**ON**" position or set thermostat to desired setting.
- Turn on all electrical power to the fireplace.



## To Turn Off Gas to Heater

- Turn the On/Off switch to "**OFF**" position or set the thermostat to lowest setting.
- Turn off all electric power to the fireplace if service is to be performed.
- Open control access panel.
- Push in gas control knob slightly and turn clockwise  to "**OFF**". Do not force.
- Close control access panel.

## Lighting and Operating Instructions

**For Fireplaces equipped with SIT822 Gas Valve (EN or EP)**

**Warning: If you do not follow these instructions exactly, a fire or explosion may result causing property damage, personal injury and loss of life.**

### FOR YOUR SAFETY READ THE FOLLOWING WARNINGS BEFORE LIGHTING THE APPLIANCE

A. This fireplace is equipped with an ignition device which automatically lights the pilot. **DO NOT** try to light the pilot by hand.

**B. BEFORE OPERATING**, smell all around the appliance area for gas. Be sure to smell next to the floor because some gas is heavier than the air and will settle on the floor.

**What to do if you smell gas**

- **Do not try to light any appliance**
- **Do not operate any electrical switch.**
- **Do not use any phone in your building.**
- **Immediately call your gas supplier from a neighbor's phone.**

**Follow the gas suppliers instructions.**

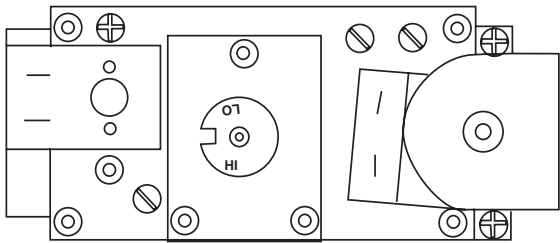
- **If you cannot contact your gas supplier call the Fire Department**

C. Use only your hand to push in or turn the gas control knob. Never use tools. If the knob will not push in or turn by hand do not try to repair it, call a qualified service technician. Force or attempting repair may result in a fire or explosion.

D. Do not use this appliance if any part has been under water. Immediately call a qualified service technician to inspect the appliance and replace any part of the control system and any gas control that has been under water.

### Lighting Instructions

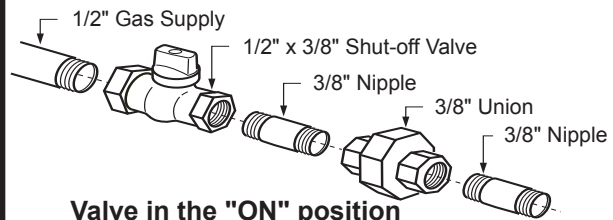
1. **STOP!** Read the safety information above before continuing.
2. Turn off all electrical power to the appliance.
3. This appliance is equipped with an ignition device which automatically lights the pilot. **DO NOT** try to light the pilot by hand.
4. Access the gas control by lowering the lower access door (louvre assembly).



5. Turn the remote switch, if used, OFF. Turn the wireless remote, if used, OFF.
6. Wait five (5) minutes to clear out any gas. Then smell for gas, including near the floor. If you smell gas STOP. Follow instructions B in the safety warnings above. If you do not smell gas go onto the next step.
7. Close the access door.
8. Turn ON all electrical power to the appliance.
9. Turn remote switch or wireless remote to "ON".
10. If the appliance will not operate, follow the instructions TURNING OFF THE GAS TO THE APPLIANCE and call your service technician or gas supplier.

### Turning Off the Gas to the Appliance

1. Turn the remote switch to the "OFF" position.
2. Turn OFF all electrical power to the fireplace if service is required.
3. Open the lower access panel.
4. Turn the shut-off valve on the flexible gas line to the "OFF" position.



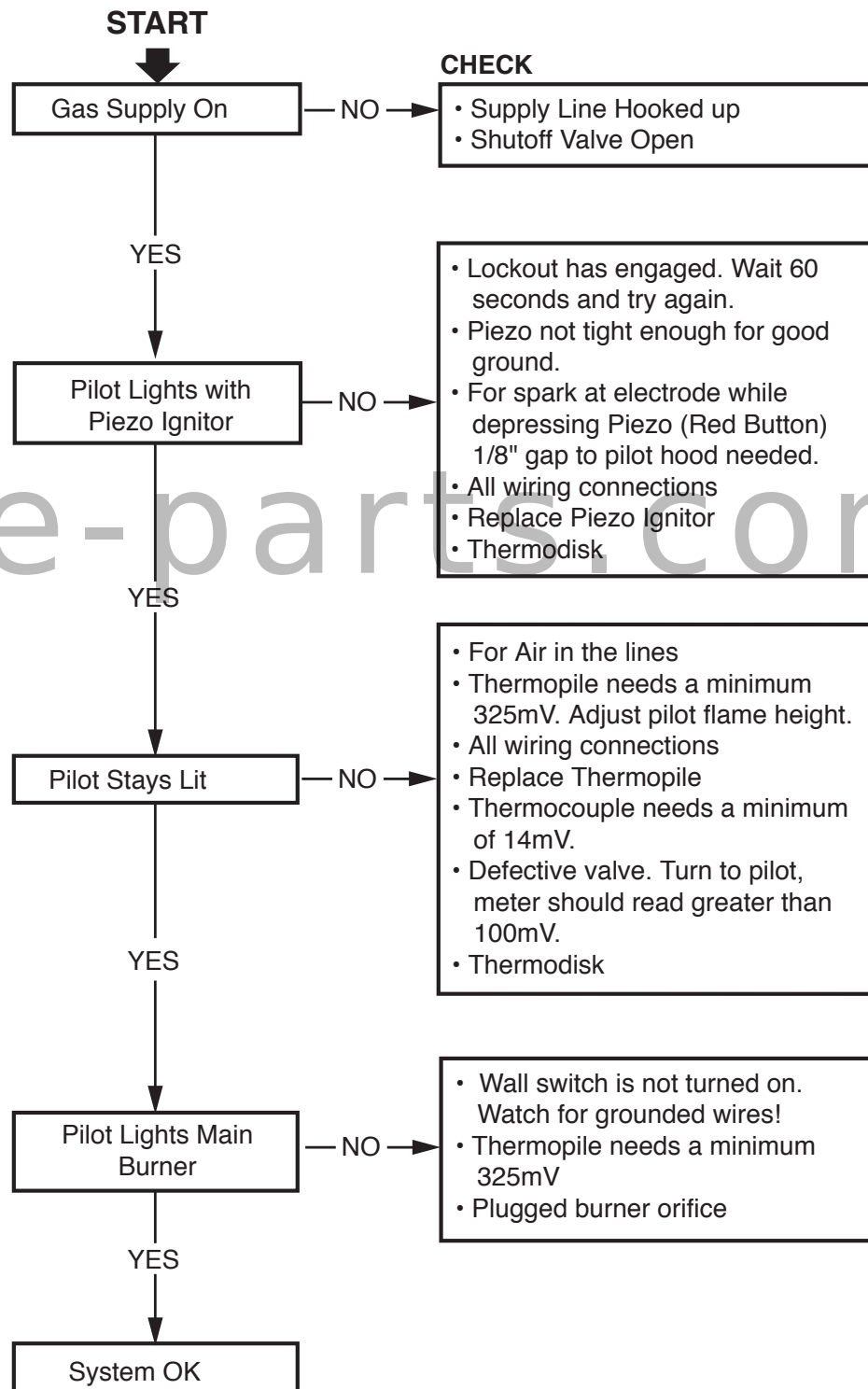
**Valve in the "ON" position**

# Troubleshooting

## Nova SIT 820 Standing Pilot



**Remove Glass Panel Before Servicing.**

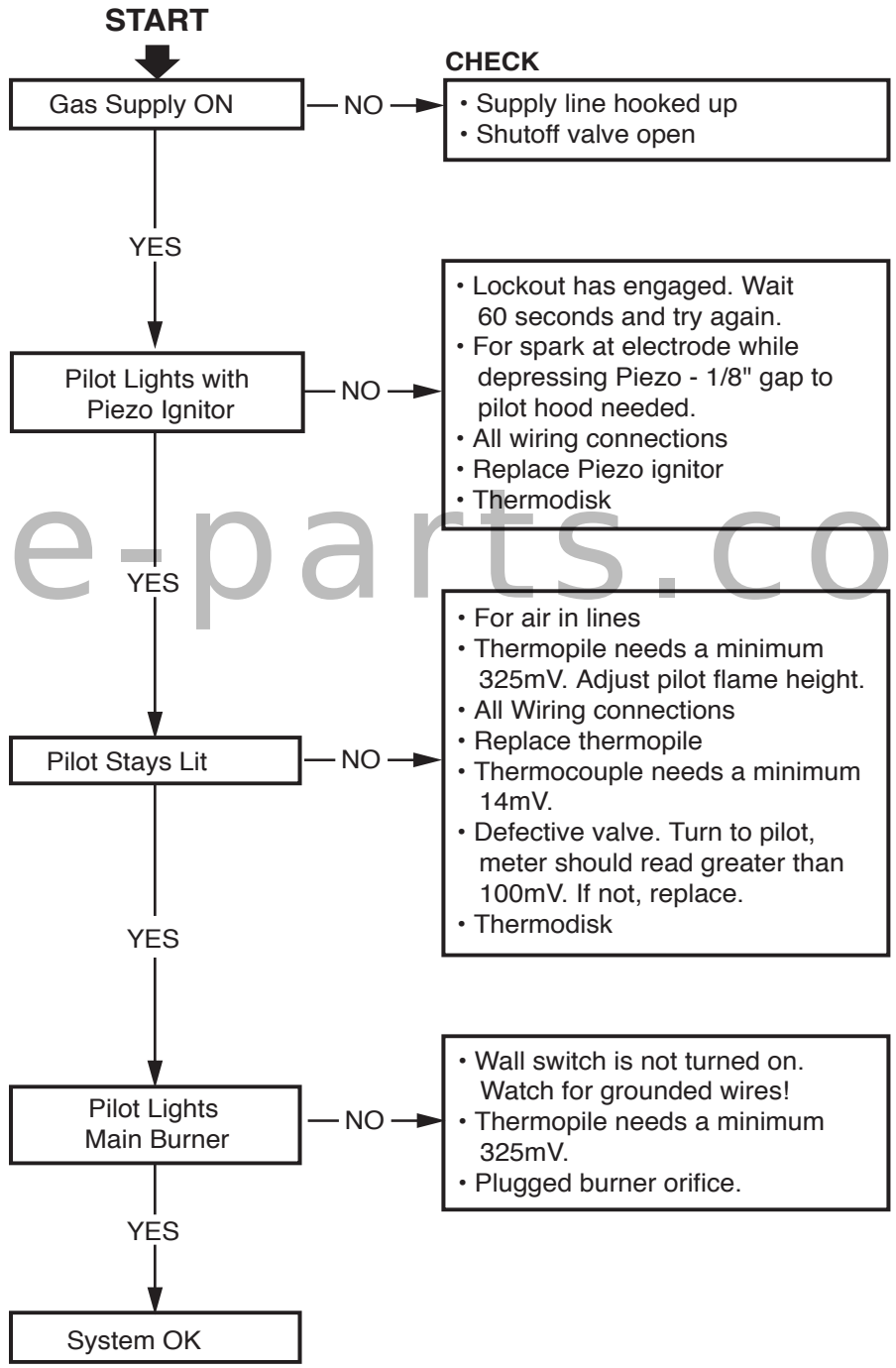


# Troubleshooting

## Honeywell VS8420 Standing Pilot



**Remove Glass Panel Before Servicing.**



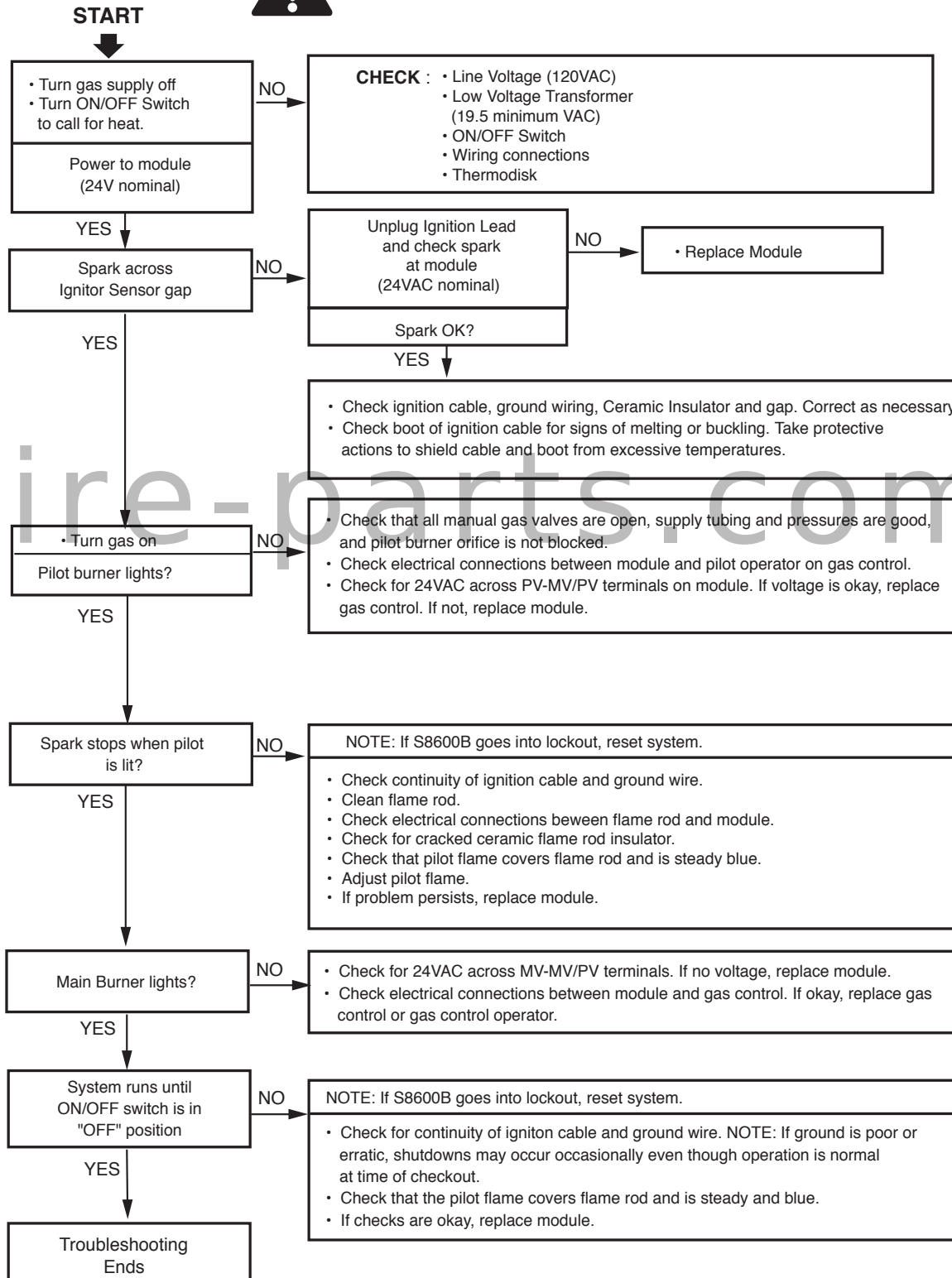


# Troubleshooting

## Nova SIT 822 with Honeywell 8600B Electronic Ignition



**Remove Glass Panel Before Servicing**



## Fuel Conversion Instructions

To convert the GBR36 equipped with the NOVA SIT820 valve only from one gas type to another, follow these instructions:

Before proceeding, turn control knob on valve to "OFF" and turn gas supply OFF. Turn OFF any electricity that may be going to the appliance.

**CAUTION: Logs may be HOT! Allow to cool before proceeding.**

### Burner Orifice Conversion

1. Remove the two (2) Phillips head screws from the burner tube retaining bracket. (Fig. 17)
2. With a 3/4" wrench, loosen the manifold from the air shutter. (Fig. 18)

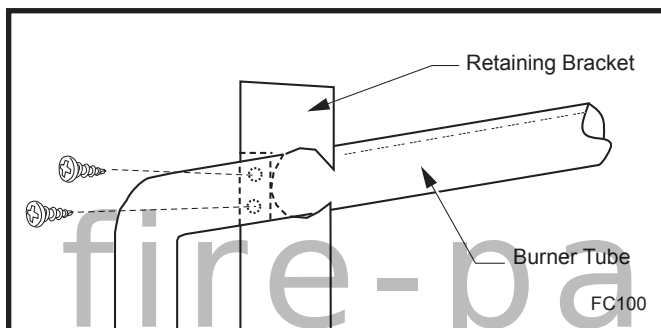


Fig. 17 Remove retaining bracket.

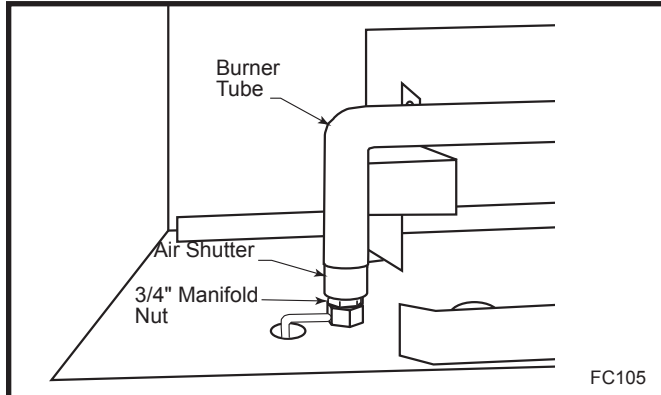


Fig. 18 Loosen manifold from air shutter.

3. Remove burner tube.
  4. Using a 7/16" wrench, remove the orifice and replace with proper conversion orifice.
  5. Set air shutter to proper opening. (Fig. 19) For LP gas the air shutter should be fully open. For Natural gas the air shutter should be set to 1/16" open.
  6. Install manifold to burner tube.
  7. Reinstall burner tube and retaining bracket.
- Burner orifice and air shutter conversion complete.

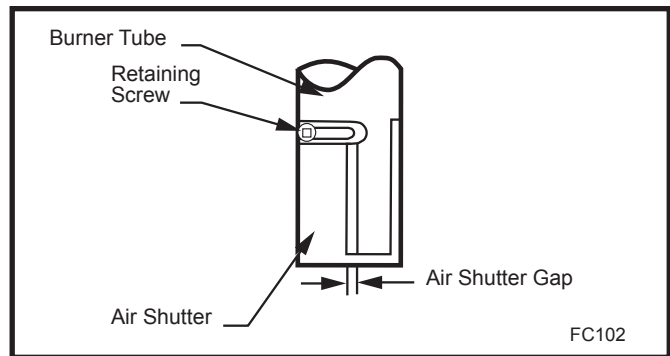


Fig. 19 Air shutter adjustment.

### Pilot Orifice Conversion

1. Remove pilot hood by lifting up.
2. Remove pilot orifice with allen wrench. (Fig. 20)
3. Install conversion pilot orifice.
4. Reinstall pilot hood. Be sure to align pilot hood with index tab.

Pilot conversion is complete.

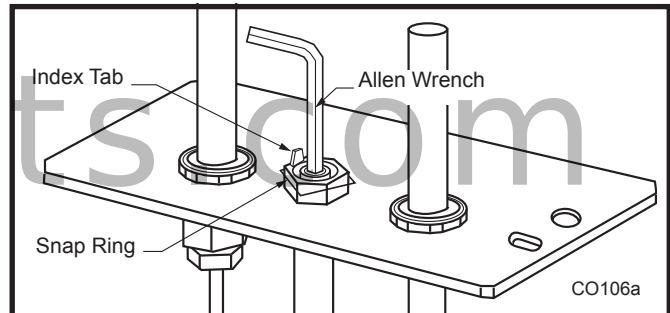


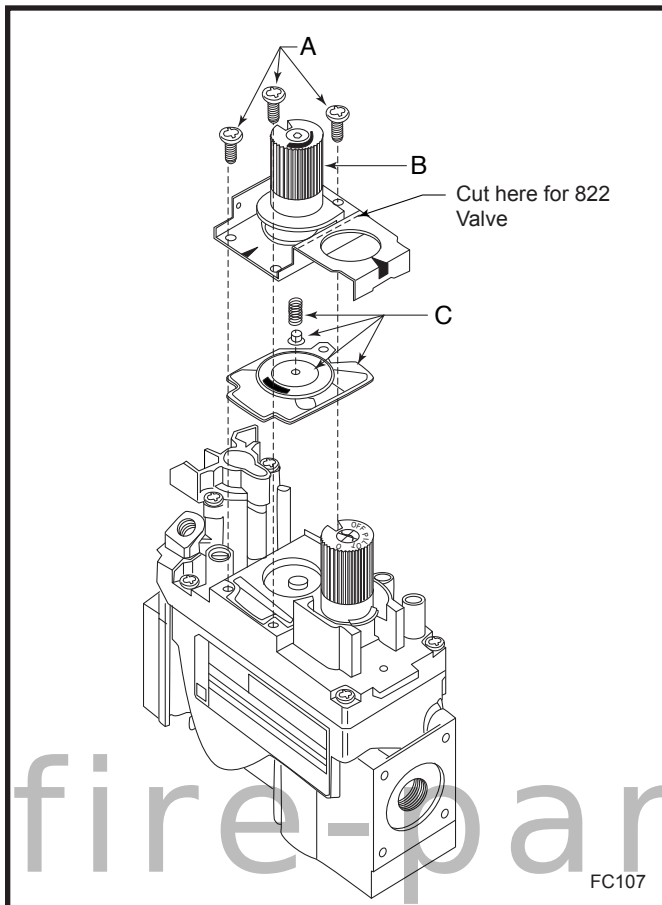
Fig. 20 Remove pilot orifice.

### Valve Conversion

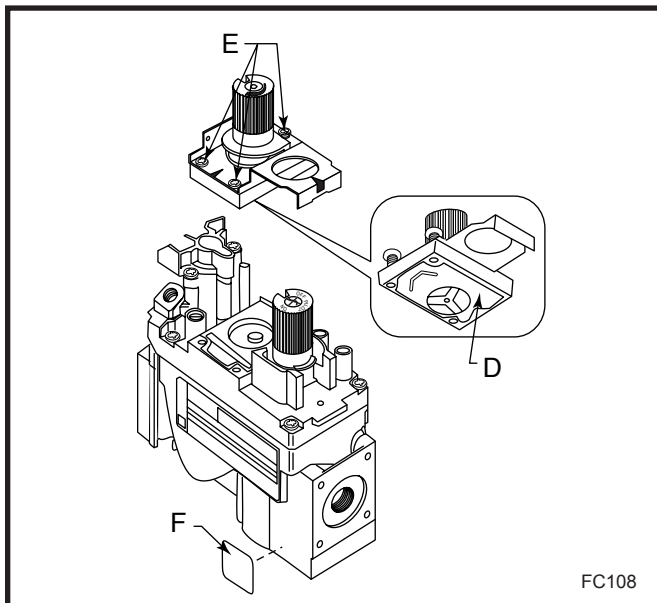
Remove hearth cover shield to gain access to valve.

1. Using the TORX T20 bit, remove and discard the three (3) pressure regulator mounting screws (A), pressure regulator tower (B) and the spring and diaphragm assembly (C). (Fig. 21) **NOTE:** If the conversion is for the 822 electronic valve, cut the metal tab as shown in Figure 21.
2. Insure the rubber gasket (D) is properly positioned and install the new HI/LO pressure regulator assembly to the valve using the new screws (E) supplied with the kit. Tighten the screws securely. (Ref. torque = 25 in/lb) (Fig. 22)
3. Install the enclosed conversion label (F) to the valve body where it can easily be seen. (Fig. 22)
4. Replace hearth cover shield.

Valve conversion is complete.



**Fig. 21** Remove mounting screws, pressure regulator tower and spring and diaphragm assembly.



**Fig. 22** Replace regulator.

### Testing for Leaks

1. Apply gas to the system and light the pilot.
2. Using a soapy solution check for leaks around the pilot assembly where the tube enters the pilot assembly. Tighten fitting if necessary.
3. Light the main burner and check for leaks around the new pressure regulator assembly. Tighten screws if necessary.
4. With the main burner "ON" check for leaks around the burner orifice. Be careful of the burner flame. Tighten orifice if necessary.
5. With the main burner "ON" rotate the HI/LO knob and verify proper burner operation.

### Pilot Flame Adjustment

Typically, the top 3/8" or 1/2" of the thermopile should be engulfed in the pilot flame. (Refer to Page 12, Fig. 16)

To adjust pilot burner:

1. Remove pilot adjustment cap located on valve.
2. Adjust pilot screw to provide properly sized flame.
3. Replace pilot adjustment cap.

## Maintenance

Keep the control compartment, logs and burner area surrounding the logs clean by vacuuming or brushing at least twice a year. **THE LOGS CAN GET VERY HOT — HANDLE ONLY WHEN COOL.**

Always turn off gas to the pilot before cleaning. For relighting, refer to lighting instructions located on the front cover plate.

Never obstruct the flow of combustion and ventilation air. Keep the front of the appliance clear of all obstacles and materials.

Leave at least 36" clearance from front of appliance to combustibles. Refer to page 3.

### Cleaning the Standing Pilot Control System

The burner and control system consists of:

- main burner
- gas orifice
- pilot burner
- thermopile
- combination millivolt gas valve
- thermocouple

Most of these components may require only an occasional checkup and cleaning and some may require adjustment. If repair is necessary, it should be performed by a qualified technician.

In order to properly clean the burner and pilot assembly, turn off the gas to the unit, open the glass door (if used), remove logs exposing the burner and pilot assembly. Clean all foreign materials from the top of the burner. Check to make sure that burner parts are clean. Visually inspect pilot. Brush or blow away any dust or lint accumulation. If pilot orifice is plugged, disassembly may be required to remove any foreign material from the orifice or tubing.

To obtain proper operation, it is imperative that the pilot

and burner's flame characteristics are steady, not lifting or floating.

Typically, the top 3/8" or 1/2" of the thermopile should be engulfed in the pilot flame. (Fig. 19)

To adjust pilot burner, turn pilot screw marked "pilot" for proper flame size.

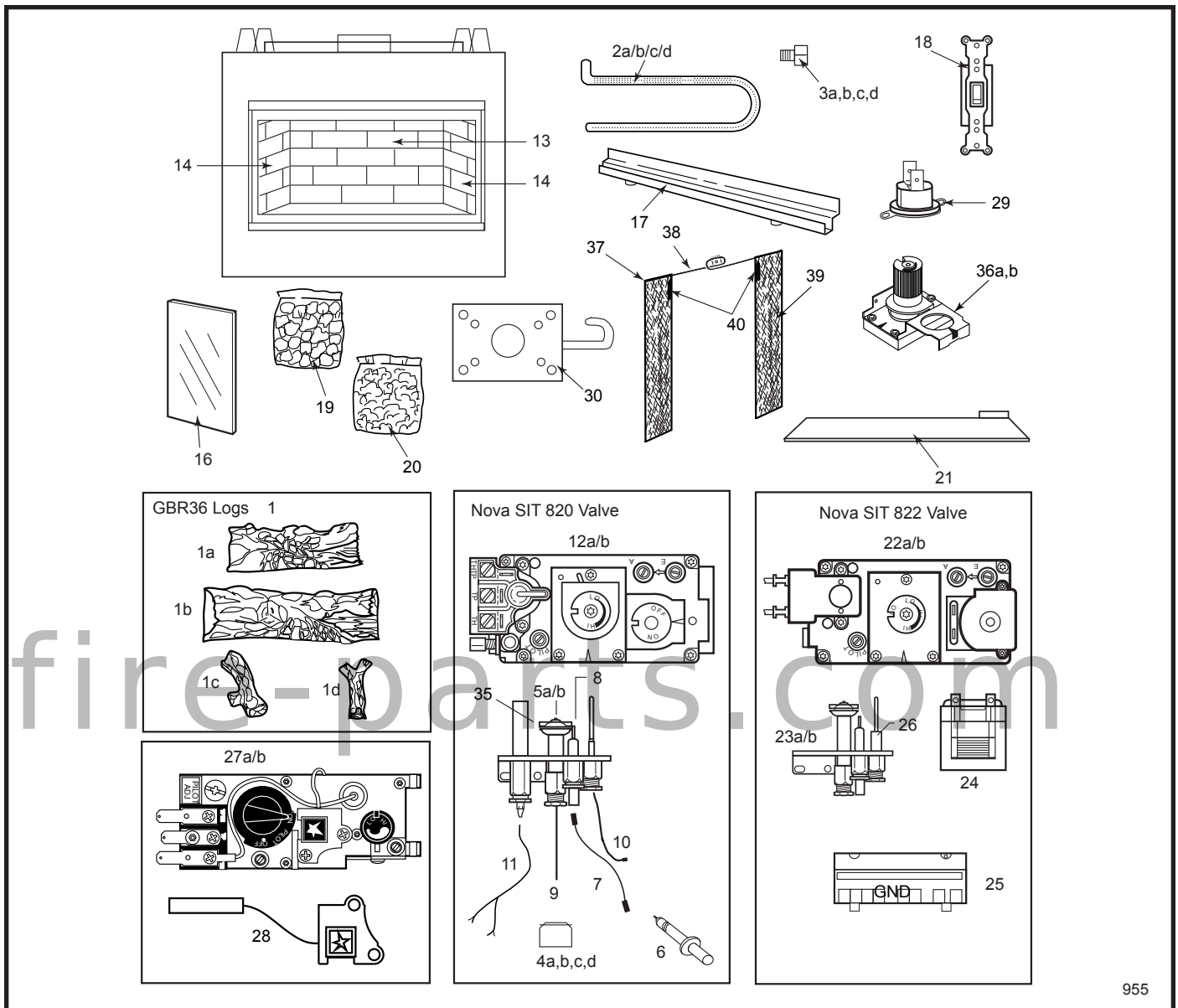
The air shutter is set at factory no adjustment should be necessary.

### Cleaning Electronic Ignition System

The Electronic Ignition burner/control system consists of:

- main burner
- gas orifice
- pilot burner
- 24VAC valve with transformer

Taking care of the Electronic Ignition units is almost identical to taking care of the Standing Pilot models.



955

CFM Corporation reserves the right to make changes in design, materials, specifications, prices and discontinue colors and products at any time, without notice.

## GBR36 Units: F35A0B, F34H0B

Ref.	Description	GBR36
1.	Log Set Assembly	20005291
1a.	Back Log	20005288
1b.	Front Log	20005287
1c.	Left Crossover Log	20005289
1d.	Right Crossover Log	20005290
2a.	Burner Tube - Natural (Up to and including F34A0B)	7540650
2b.	Burner Tube - LP (Up to and including F34B0B)	7540651
2c.	Burner Tube - Natural (F35A0B)	20005024
2d.	Burner Tube - LP (F35B0B)	20005129
3a.	Burner Orifice - Natural (Up to and including F34A0B)	7535187
3b.	Burner Orifice - LP (Up to and including F34B0B)	7535172
3c.	Burner Orifice - Natural (Model #F35A0B)	20005250

**GBR36 (continued)**

Ref.	Description	GBR36
3d.	Burner Orifice - LP (Model #F35B0B)	20005251
4a.	Pilot Orifice - Natural (Up to and including F34A0B)	54273
4b.	Pilot Orifice - LP (Up to and including F34B0B)	54272
4c.	Pilot Orifice - Natural (Model #F35A0B)	10002268
4d.	Pilot Orifice - LP (Model #F35B0B)	10002269
5a.	Pilot Assembly Nova - Natural	52445
5b.	Pilot Assembly Nova - LP	52446
6.	Piezo Ignitor	52464
7.	Wire Assembly	7522432
8.	Electrode Ignitor Nova	52465
9.	Pilot Tubing	7549346
10.	Thermocouple 24" - Lead	7531137
11.	Thermogenerator	7533113
12a.	Valve Nova - Natural	7529141
12b.	Valve Nova - LP	7529142
13.	Ceramic Panel - Back	2124102
14.	Ceramic Panel - Left/Right Side	2124103
16.	Glass Panel (1 of 4)	7540637
17.	Door Track	3061104
18.	Remote Switch Kit	53875
19.	Lava Rock Package	20000376
20.	Bag of Embers	7060109
21.	Valve Cover	3078116
22a.	Electronic Valve - Natural	57884
22b.	Electronic Valve - LP	57883
23a.	Electronic Pilot Assembly - Natural 4 Way	54219
23b.	Electronic Pilot Assembly - LP 4 Way	54221
24.	Transformer	7522409
25.	Ignition Module / Honeywell	20000005
26.	Sensing Electrode	57885
27a.	Valve Honeywell - Natural	20000541
27b.	Valve Honeywell - LP	30000030
28.	Piezo Ignitor	20000062
29.	Thermodisk	20001558
30.	O.S.A. Assy.	20003076
31.	Conversion Kit - Natural Serial #'s F32B0B 99359900 and Above)	20002051 20003037
32.	Conversion Kit - LP (Serial #'s F32A0B99319875 through F33A0B99449956)* For Serial #'s F33A0B99449957	20002053 20003036
33.	Conversion Kit - Natural Model #F35B0B	20005244
34.	Conversion Kit - LP Model #F35A0B	20005243
35.	Pilot Top Convertible	10002266
36a.	Regulator Head (Nat.)	10001006
36b.	Regulator Head (LP)	10001007
37.	Screen Assembly	3030117
38.	Screen Rod Assembly	3030126
39.	Screen Assembly (2 per fireplace)	7554338
40.	Screen Pulls	7554239

\* Must order Honeywell Valve 30000030

Contact CFM Corporation for questions concerning prices and policies covering replacement parts. Parts may be ordered through your Majestic Fireplaces distributor or dealer.

You will need the following information when ordering replacement parts:

1. The appliance model number.
2. The serial number.
3. A description of the part.

Should you need additional information beyond what your dealer can furnish, contact:

CFM Corporation  
2695 Meadowvale Blvd.  
Mississauga, Ontario  
Canada L5N 8A3  
Attn: Manager of Customer Service

Model and serial numbers are listed on the rating plate (located on right side of combustion chamber).

Record your model and serial numbers here for future reference:

Model # \_\_\_\_\_

Serial # \_\_\_\_\_

fire-parts.com

## Accessories

### Glass Doors

B-fold and single panel glass doors are available to enhance the viewing of the fireplace.

#### Models

36GSKBB  
36GDKBB  
36GDKBK  
36GDKDP  
36GDKS

### Outside Air Kit

The Model AK-MST Outside Air Kit is designed to bring additional combustion air directly from the outside to the fireplace. Refer to installation instructions provided with the Outside Air Kit.

### Thermal Vent Damper

Installing the TVD4 Thermal Vent Damper reduces cold air infiltration when fireplace is not in use by opening and closing automatically.

Attach the thermal vent damper to the combustion dome with 2 screws. Be sure the tab points down. (Fig. 23)

Start the appliance and operate it for approximately 5 minutes. Turn the unit off and check if the vent damper is in the open position (blades down from the horizontal position). If the damper has not opened, check installation.

**NOTE: Not for use in Canada.**

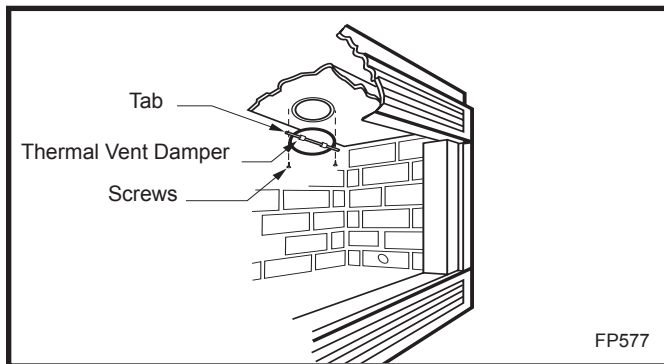


Fig. 23 Attach the thermal vent damper.

### Remote Controls

Optional remote control units are available to control different functions of the appliance.

Model	Function/s Controlled
RC1	"ON/OFF"
RC2	"ON/OFF" and Temperature

### Ceramic Refractory Panels

The GBRCR ceramic refractory panels enhance the appearance of the appliance and give a realistic brick look.

1. Remove glass doors and log set.
2. Install back panel over and behind the burner (cut out area facing down). Center the panel and install a side panel.
3. Install side panels and butt against the back panel. Be sure to align the grout lines to match back panel.
4. Use bracket as a template, place bracket against ceramic panel as shown in Figure 24. Bottom lip of bracket should hold panel in place. Drill one 1/8" diameter hole in combustion casing and secure back panel in place with one sheet metal screw and one bracket. Repeat procedures for other two panels.

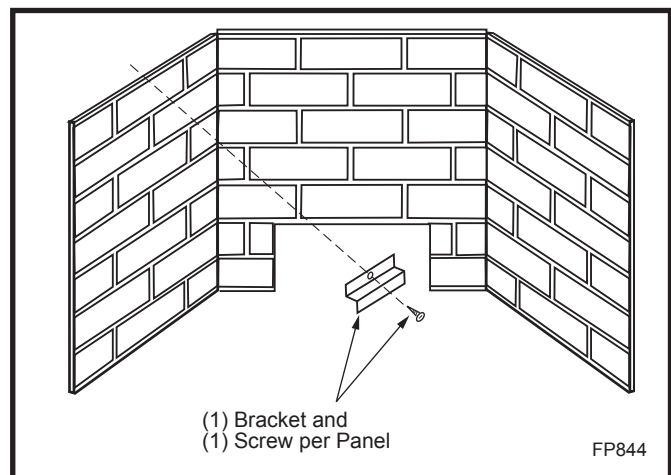


Fig. 24 Panel installation.



fire-parts.com

fire-parts.com

# LIMITED LIFETIME WARRANTY

## PRODUCT COVERED BY THIS WARRANTY

All Vermont Castings gas stoves, gas inserts, and gas fireplaces, and all Majestic or Northern Flame brand gas fireplaces equipped with an Insta-Flame Ceramic Burner, or standard steel tube burner.

### BASIC WARRANTY

CFM Corporation (hereinafter referred to collectively as the Company) warrants that your new Vermont Castings or Majestic Gas Fireplace/Stove is free from manufacturing and material defects for a period of one year from the date of purchase, subject to the following conditions and limitations.

### EXTENDED LIFETIME WARRANTY

The heat exchanger, where applicable, and combustion chamber of every Vermont Castings or Majestic gas product is warranted for life against through wall perforation. All appliances equipped with an Insta-Flame Ceramic Burner have limited lifetime coverage on the ceramic burner plaque. Warrantees are made to the original owner subject to proof of purchase and the conditions and limitations listed on this Warranty Document

### COMPONENT WARRANTY

**CAST IRON:** All external and internal cast iron parts are warranted for a period of three years.

**Note:** On porcelain enamel finished external parts and accessories The Company offers no Warranty on chipping of enamel surfaces. Inspect all product prior to accepting it for any damage to the enamel.

The salt air environment of coastal areas or a high humidity environment can be corrosive to the porcelain enamel finish. These conditions can cause rusting of the cast iron beneath the porcelain enamel finish, which will cause the finish to flake off.

Dye lot variations with replacement parts and/or accessories can occur and are not covered by warranty.

**GLASS DOORS:** Glass doors are covered for a period of one year.

Glass doors are not warranted for breakage due to misuse or accident. Glass doors are not covered for discoloration or burned in stains due to environmental issues, or improper cleaning and maintenance.

**BRASS PLATED PARTS AND ACCESSORIES:** Brass parts should be cleaned with Lemon oil only. Brass cleaners cannot be used. Mortar mix and masonry cleaners may corrode the brass finish. The Company will not be responsible for, nor will it warrant any brass parts which are damaged by external chemicals or down draft conditions.

**GAS VALVES:** Gas valves are covered for a period of one year

**ELECTRONIC AND MECHANICAL COMPONENTS:** Electronic and mechanical components of the burner assembly are covered for one year. All steel tube burners are warranted for one year.

**ACCESSORIES:** Unless otherwise noted all components and CFM Corporation company supplied accessories are covered for a period of one year.

### CONDITIONS AND LIMITATIONS

- This new Vermont Castings or Majestic product must be installed by a competent, authorized, service contractor. A licensed technician, as prescribed by the local jurisdiction must perform any installation/service work. It must be installed and operated at all times in accordance with the Installation and Operating instructions furnished with the product. Any alteration, willful abuse, accident, or misuse of the product shall nullify this warranty.
- This warranty is non-transferable, and is made to the original owner, provided that the purchase was made through an authorized supplier of the Company.
- The customer must pay for any Authorized Dealer in-home travel fees or service charges for in-home repair work. It is the dealers option whether the repair work will be done in the customer's home or in the dealer's shop.
- If upon inspection, the damage is found to be the fault of the manufacturer, repairs will be authorized at no charge to the customer parts and/or labor.

- Any part and/or component replaced under the provisions of this warranty is covered for six months or the remainder of the original warranty, whichever is longest.
- This warranty is limited to the repair of or replacement of part(s) found to be defective in material or workmanship, provided that such part(s) have been subjected to normal conditions of use and service, after said defect is confirmed by the Company's inspection.
- The company may, at its discretion, fully discharge all obligations with respect to this warranty by refunding the wholesale price of the defective part(s)
- Any installation, labor, construction, transportation, or other related costs/expenses arising from defective part(s), repair, replacement, or otherwise of same, will not be covered by this warranty, nor shall the Company assume responsibility for same. Further, the Company will not be responsible for any incidental, indirect, or consequential damages except as provided by law.
- SOME STATES DO NOT ALLOW FOR THE EXCLUSION OR LIMITATIONS OF INCIDENTAL AND CONSEQUENTIAL DAMAGES OR LIMITATIONS ON HOW LONG AN IMPLIED WARRANTY LASTS, SO THE ABOVE LIMITATIONS MAY NOT APPLY TO YOUR CIRCUMSTANCES. THIS WARRANTY GIVES YOU SPECIFIC RIGHTS AND YOU MAY HAVE OTHER RIGHTS WHICH VARY FROM STATE TO STATE.
- All other warranties-expressed or implied- with respect to the product, its components and accessories, or any obligations/liabilities on the part of the Company are hereby expressly excluded.
- The Company neither assumes, nor authorizes any third party to assume on its behalf, any other liabilities with respect to the sale of this Vermont Castings or Majestic product
- The warranties as outlined within this document do not apply to chimney components or other non CFM Corporation accessories used in conjunction with the installation of this product..
- Damage to the unit while in transit is not covered by this warranty but is subject to claim against the common carrier. Contact the dealer from whom you purchased your fireplace/stove (do not operate the appliance as this might negate the ability to process the claim with the carrier).
- The Company will not be responsible for:
  - a) Down drafts or spillage caused by environmental conditions such as near-by trees, buildings, roof tops, hills, or mountains.
  - b) Inadequate ventilation or negative air pressure caused by mechanical systems such as furnaces, fans, clothes dryers, etc.
- This warranty is void if:
  - a) The fireplace has been operated in atmospheres contaminated by chlorine, fluorine, or other damaging chemicals.
  - b) The fireplace has been subjected to prolonged periods of dampness or condensation
  - c) Any damages to the fireplace, combustion chamber, heat exchanger or other components due to water, or weather damage, which is the result of but not limited to, improper chimney/venting installation.
  - d) Any alteration, willful abuse, accident, or misuse of the product has occurred.

### IF WARRANTY SERVICE IS NEEDED...

- 1) Contact your supplier. Make sure you have your warranty, your sales receipt, and the model/serial number of your CFM Corporation product.
- 2) DO NOT ATTEMPT TO DO ANY SERVICE WORK YOURSELF.

Canada

# ENERGUIDE

Look for the **EnerGuide**  
Gas Fireplace Energy  
Efficiency Rating in this brochure

*Based on CSA P.4.1-02*

## Efficiency Ratings

Model	EnerGuide Ratings Fireplace Efficiency (%)
GBR36RN	15.5
GBR36RP	15.5
GBR36EN	11.6
GBR36EP	11.6

fire-parts.com

NATIONAL  
FIREPLACE  
INSTITUTE



CERTIFIED

[www.nficertified.org](http://www.nficertified.org)

We recommend that our gas hearth products be installed and serviced by professionals who are certified in the U.S. by the National Fireplace Institute® (NFI) as NFI Gas Specialists.

## CFM Corporation

2695 Meadowvale Blvd. • Mississauga, Ontario, Canada L5N 8A3  
800-668-5323 • [www.cfmcorp.com](http://www.cfmcorp.com)