

MAJESTIC VERMONT *Castings*



**Direct Vent Insert
Models: RHEDV25
RHEDV32
RHEDV42**

Installation Instructions & Homeowner's Manual

WARNING! IF THE INFORMATION IN THIS MANUAL IS NOT FOLLOWED EXACTLY, A FIRE OR EXPLOSION MAY RESULT CAUSING PROPERTY DAMAGE, PERSONAL INJURY OR LOSS OF LIFE.

FOR YOUR SAFETY

What to Do if You Smell Gas:

- Do not try to light any appliance.
- Do not touch any electric switch.
- Do not use any phone in your building.
- Immediately call your gas supplier from your neighbours phone. Follow the gas suppliers instructions.
- If you cannot reach your gas supplier call the fire department.

FOR YOUR SAFETY

**DO NOT STORE
OR USE GASOLINE OR OTHER
FLAMMABLE VAPOURS AND LIQUIDS
IN THE VICINITY OF THIS OR ANY
OTHER APPLIANCE.**

- Installation and service must be performed by a qualified installer, service agency or your gas supplier.



Vermont Castings, Majestic Products

410 Admiral Blvd. • Mississauga, Ontario, Canada L5T 2N6 • 905-670-7777
www.majesticproducts.com • www.vermontcastings.com



INSTALLER: DO NOT DISCARD THIS MANUAL - Leave For Homeowner

10000801 5/03 Rev. 4

Table of Contents

PLEASE READ THE INSTALLATION & OPERATING INSTRUCTIONS BEFORE USING THIS APPLIANCE.

Thank you and congratulations on your purchase of a Majestic fireplace.

IMPORTANT - Read all instructions and warnings carefully before starting installation. Failure to follow these instructions may result in a possible fire hazard and will void the manufacturers' warranty.

Installation Instruction

Important Curing/Burning Instructions	3
Locating Your Fireplace Insert	3
Insert Applications	3
Fireplace & Trim Dimensions	4
Mantels	5
Gas Specifications	5
Gas Inlet & Manifold Pressures	5
High Elevations	5
Preparation	5
Gas Line Installation	5
Fan Kit	6
Fan Removal Instructions	6
Installation of Trim Switch for RN/RP Gas Valves	7
Adjustment of Levelling Bar	7
Venting and Installation	7
Liner Installation	8
Ceramic Refractory Installation	9
Venting Components	10

Operating Instructions

General Glass Information	11
Louvre Removal	11
Glass Cleaning	11
Glass Frame Removal	11
Installation of Logs & Burner Lava Rock	11
Large Lava Rock Placement	12
Flame Adjustment	12
Temperature Adjustment	12
Flame Characteristics	12
First Firing	13
Lighting & Operating Instructions	14
Troubleshooting Gas Control (820 Millivolt Gas Valve)	15
Troubleshooting Gas Control (SIT 630 Gas Valve)	16
Troubleshooting Gas Control (Honeywell)	17

Maintenance

Cleaning the Standing Pilot Control System	18
Brass Cleaning	18

Replacement Parts

Optional Accessories

Remote Controls	22
Zero Clearance Kit	22
A Trim Options for RHEDV25	22
B Trim Options for RHEDV32	26
C Trim Options for RHEDV42	34

Warranty

Installation & Operating Instructions

This gas appliance should be installed by a qualified installer in accordance with local building codes and with current CSA-B149.1 Installation codes for Gas Burning Appliances and Equipment.

FOR U.S. Installations follow local codes and/or the current National Fuel Gas Code ANSI Z223.1.

FOR SAFE INSTALLATION AND OPERATION OF YOUR VERMONT CASTINGS, MAJESTIC PRODUCTS GAS FIREPLACE PLEASE NOTE THE FOLLOWING:

1. This appliance gives off high temperatures and should be located out of high traffic areas and away from furniture and draperies.
2. Children and adults should be alerted to the hazards of the high surface temperatures of this appliance and should stay away to avoid burns or ignition of clothing.
3. Children should be carefully supervised when they are in the same room as your appliance.
4. Under no circumstances should this appliance be modified. Parts removed for servicing should be replaced prior to operating this appliance again.
5. Installation and any repairs to this appliance should be carried out by a qualified service person. A professional service person should be contacted to inspect this appliance annually. Make it a practice to have all of your gas appliances checked annually. More frequent cleaning may be required due to excess lint and dust from carpeting, bedding material, etc.
6. Control compartments, burners and air passages in this appliance should be kept clean and free of dust and lint. Make sure that the gas valve and pilot light are turned off before you attempt to clean this unit.
7. The venting system (chimney) of this appliance should be checked at least once a year and if needed your venting system should be cleaned.
8. Keep the area around your appliance clear of combustible materials, gasoline and other flammable vapor and liquids. This appliance should not be used as a drying rack for clothing, nor should Christmas stockings or decorations be hung in the area of it.
9. Under no circumstances should any solid fuels (wood, coal, paper or cardboard etc.) be used in this appliance.
10. The flow of combustion and ventilation air fan must not be obstructed in any way.

Proposition 65 Warning: Fuels used in gas, woodburning or oil fired appliances, and the products of combustion of such fuels, contain chemicals known to the State of California to cause cancer, birth defects and other reproductive harm.
California Health & Safety Code Sec. 25249.6

IMPORTANT:

PLEASE READ THE FOLLOWING CAREFULLY

It is normal for fireplaces fabricated of steel to give off some expansion and/or contraction noises during the start up or cool down cycle. Similar noises are found with your furnace heat exchanger or car engine.

It is not unusual for your Vermont Castings, Majestic Products gas fireplace to give off some odor the first time it is burned. This is due to the curing of the paint and any undetected oil from the manufacturing process.

Please ensure that your room is well ventilated - open all windows.

It is recommended that you burn your Vermont Castings, Majestic Products fireplace for a least six (6) hours the first time you use it. If optional fan kit has been installed, place fan in the "OFF" position during this time.

Locating Your Gas Fireplace Insert



Your Direct Vented Insert unit was designed to be installed in an existing woodburning fireplace. The location and clearances are therefore subject to your local building codes.

Insert Applications

Before installing the gas fireplace insert, consideration must be given to the functioning needs of the fireplace. The size of the fireplace cavity (min. 28³/₄"W x 21¹/₄"H x 16" D), the design of the chimney (a minimum size of 8" x 12" is necessary to accommodate the two (2) 3" liners). The availability of the gas supply as well as electricity for the insert fan must be confirmed.



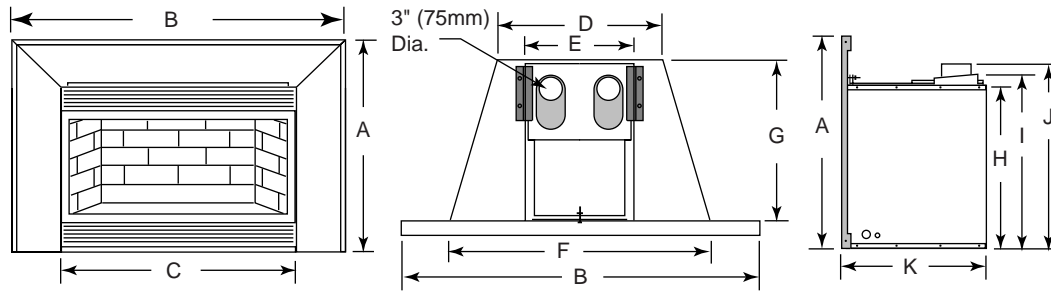
Your Direct Vented Insert unit is designed to be vented vertically only with a minimum height of 12 feet.

This appliance may be installed in an aftermarket permanently located, manufactured (mobile) home, where not prohibited by local codes.

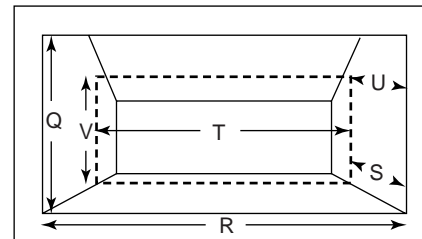
This appliance is only for use with the type of gas indicated on the rating plate. This appliance is not convertible for use with other gases, unless an available certified kit is used.

All Vermont Castings, Majestic Products gas inserts are approved for installation in solid fuel burning masonry or zero clearance fireplaces.

Fireplace & Trim Dimensions



- 1 = SS or SSD Trim R - Fireplace opening width
- 2 = SL or SLD Trim Q - Fireplace opening height
- 3 = SXL Trim S - Depth of insert
- 4 = BSL Trim T - Firebox width at insert depth(S)
- 5 = BXL Trim U - Firebox depth at insert back height (V)
- V - Insert back height



Minimum Fireplace
Insert Opening

		RHEDV25		RHEDV32		RHEDV42	
T R I M	A1	26 ³ / ₄ "	680 mm	26 ⁵ / ₈ "	676 mm	30 ³ / ₄ "	781 mm
	B1	38 ¹ / ₂ "	978 mm	38 ³ / ₈ "	975 mm	43 ¹ / ₈ "	1095 mm
	A2	29 ¹ / ₄ "	743 mm	29"	737 mm	33 ³ / ₈ "	848 mm
	B2	43 ¹ / ₂ "	1105 mm	41 ¹⁵ / ₁₆ "	1065 mm	48 ¹ / ₄ "	1225 mm
	A3	-	-	33"	838 mm	-	-
	B3	-	-	44"	1118 mm	-	-
	A4	-	-	28"	712 mm	-	-
	B4	-	-	40 ⁷ / ₈ "	1041 mm	-	-
	A5	-	-	30 ¹ / ₂ "	775 mm	-	-
B5	-	-	46"	1171 mm	-	-	
F I R E P L A C E	C	25 ¹ / ₄ "	641 mm	28 ⁷ / ₈ "	733 mm	31"	787 mm
	D	17 ¹ / ₄ "	438 mm	16 ⁷ / ₈ "	428 mm	19 ³ / ₄ "	501 mm
	E	12"	305 mm	12"	305 mm	12"	305 mm
	F	25 ¹ / ₈ "	638 mm	28 ⁵ / ₈ "	727 mm	30"	762 mm
	G	13 ⁷ / ₈ "	353 mm	16"	406 mm	18 ³ / ₄ "	476 mm
	H	17 ⁵ / ₈ "	447 mm	20 ¹ / ₁₆ "	510 mm	22 ⁵ / ₈ "	574 mm
	I	18 ⁷ / ₈ "	480 mm	21 ¹ / ₁₆ "	535 mm	23 ³ / ₄ "	603 mm
	J	19 ³ / ₄ "	502 mm	22 ¹ / ₁₆ "	561 mm	24 ³ / ₄ "	628 mm
	K	14 ⁵ / ₈ "	371 mm	18 ⁵ / ₁₆ "	465 mm	19 ³ / ₄ "	501 mm
M O I N I N I U M G	Q	18 ⁷ / ₈ "	479 mm	21 ¹ / ₄ "	539 mm	23 ³ / ₄ "	603 mm
	R	25 ¹ / ₄ "	641 mm	28 ³ / ₄ "	711 mm	29 ³ / ₄ "	755 mm
	S	13 ³ / ₄ "	349 mm	16"	407 mm	18 ³ / ₄ "	476 mm
	T	17 ¹ / ₄ "	438 mm	17 ³ / ₈ "	441 mm	19 ³ / ₄ "	501 mm
	U	13 ⁷ / ₈ "	352 mm	16 ¹ / ₄ "	413 mm	18 ³ / ₄ "	476 mm
	V	18 ⁷ / ₈ "	479 mm	21 ⁵ / ₁₆ "	541 mm	23 ³ / ₄ "	603 mm

Mantels

When the unit is installed into a woodburning fireplace, the minimum distance the mantel can be placed above the fireplace is governed by local building codes applicable to woodburning fireplaces. Consult local authorities having jurisdiction for these clearances. The underside of the mantel will become warm. Use only finishes which are heat resistant and do not discolor.

Gas Specifications

Model	Fuel	Gas Control	Max. Input Btu/h	Min. Input Btu/h
RHEDV25RN	Natural Gas	Millivolt Hi/Lo	22,000	15,400
RHEDV25RP	Propane Gas	Millivolt Hi/Lo	22,000	16,500
RHEDV32RN	Natural Gas	Millivolt Hi/Lo	27,000	18,900
RHEDV32RP	Propane Gas	Millivolt Hi/Lo	27,000	20,250
RHEDV32TN	Natural Gas	Thermostat Hi/Lo	27,000	18,900
RHEDV32TP	Propane Gas	Thermostat Hi/Lo	27,000	20,250
RHEDV42RN	Natural Gas	Millivolt Hi/Lo	35,000	24,500
RHEDV42RP	Propane Gas	Millivolt Hi/Lo	35,000	26,250
RHEDV42TN	Natural Gas	Thermostat Hi/Lo	35,000	24,500
RHEDV42TP	Propane Gas	Thermostat Hi/Lo	35,000	26,250

Gas Inlet & Manifold Pressures

	Natural	LP
Minimum Inlet Pressure	4.5" w.c.	11.0" w.c.
Maximum Inlet Pressure	7.0" w.c.	13.0" w.c.
Manifold Pressure	3.5" w.c.	10.0" w.c.



Do not use this appliance if any part of it has been under water. Immediately call a qualified service technician to inspect the unit and replace any part of the control which has been under water.

**RHEDV25 / RHEDV32 / RHEDV42
Certified To**

**ANSI Z 21.88-2002 / CSA 2.33-2002
Vented Gas Fireplace Heaters**

The installation of your Vermont Castings, Majestic Products Fireplace must conform with local codes, or in the absence of local codes, with National Fuel Gas Code, ANSI Z223.1 latest edition, or CSA B149.1 Installation Code. (EXCEPTION: Do not derate this appliance for elevations up to 4,500 ft. (1370mm). Maintain the manifold pressure at 3.5" w.c. for Natural Gas and 10" w.c. for LP gas.)

High Elevations

Input ratings are shown in BTU per hour and are certified without deration for elevations up to 4,500 feet (1,370m) above sea level.

For elevations above 4,500 feet (1,370m) in USA, installations must be in accordance with the current ANSI Z223.1 and/or local codes having jurisdiction.

In Canada, please consult provincial and/or local authorities having jurisdiction for installations at elevations above 4,500 feet (1,370m).

Preparation

Before beginning, remove glass door and logs from unit. Also check to make sure there is no hidden damage to the unit. Take a minute and plan out the gas, venting and electrical route. It is best to start with the gas line first followed by the chimney liner. (Refer to Page 8)

Gas Line Installation



When purging the gas line, the front glass must be removed.

The gas pipeline can be brought into the fireplace base from the right side. It is most convenient to install it from the right side into the valve.



When using copper or flex connector use only approved fittings. **Always provide a union** when using black iron pipe so the gas line can be easily disconnected for burner or fan servicing. See gas specification for pressure details and ratings.

The gas line connection can be made of either properly tinned 3/8" copper pipe, 3/8" rigid pipe or an approved flex connector. Since some municipalities have some additional local codes, it is always best to consult your local authority and the CSA- B149.1 installation code.

U.S. Installations consult the current National Fuel Gas Code, ANSI Z223.1

The gas control inlet is 3/8" N.P.T. therefore the 1/2" rigid gas line must be reduced to 3/8" N.P.T. Typical installation layout for rigid pipe is shown following. (Fig. 1)

During any pressure testing of the gas line system, when the test pressures are to exceed 1/2 psi (3.5 kpa) the fireplace and its gas valve must not be connected to that system.

At test pressures equal to or less than 1/2 psi, the gas valve of the fireplace may be connected to the gas line, but must be in the closed position.

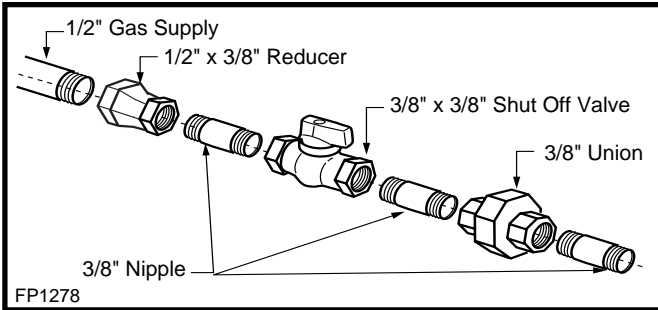


Fig. 1 Typical gas supply installation.



Always check for gas leaks with a mild soap and water solution. Do not use an open flame for leak testing.

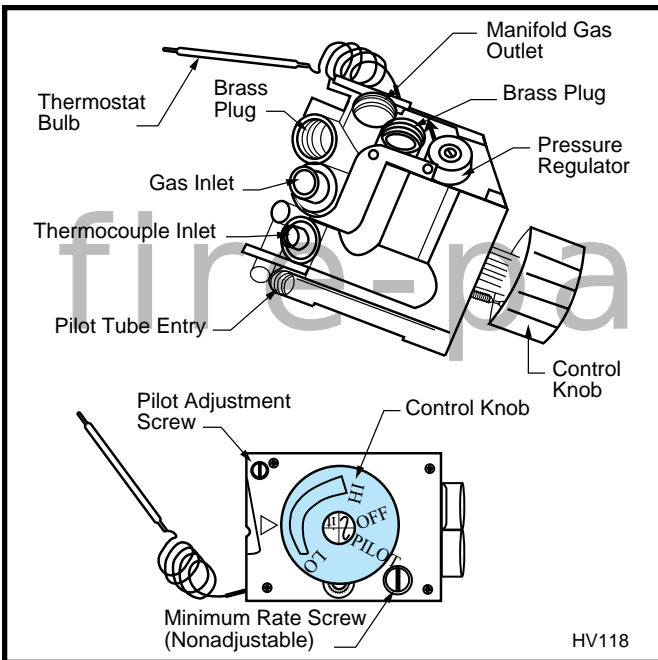


Fig. 2 On fireplaces equipped with the Eurosit 630 gas valve, there are brass plugs in two of the holes. These plugs are not to be removed. The gas inlet hole has a plastic cap in it. Remove the plastic cap and connect your gas supply line at this point.

Fan Kit

115 volt, 60 Hz. 56W

The fan kit includes the following: fan, temperature sensor, speed control and a 6 ft. cord. The following explains how to start and set the fan for automatic operation.

1. Plug in the electrical cord.
2. Start gas fire - see lighting procedures.
3. Turn on fan speed control.
4. Wait until the unit has warmed up sufficiently to activate the temperature sensor, approx. 5-10 minutes.

5. Once fan starts, adjust speed control to desired fan speed. The fan will now automatically come on every time the fireplace is in operation. Should the fan not be needed simply turn off the speed control.



The appliance, when installed must be electrically connected and grounded in accordance with local codes or, in the absence of local codes, with the current CSA C22.1 Canadian Electrical Code.



U.S. Installations, follow local codes and the National Electrical Code, ANSI/NFPA No. 70.



Should this fan require servicing, the power supply must be disconnected. For rewiring of any replacement components refer to Figure 4.

Fan Removal Instructions

1. Turn off gas and electricity.
2. Remove the front glass.
3. Remove the logs.



CAUTION: Logs may be hot!

4. Remove burner assembly and rear log support plate.
5. Remove the fan mounting nuts (2 nuts). (Fig. 3)
6. Slip off the electrical connector at the motor.
7. Lift out the fan.
8. To reinstall reverse procedure.

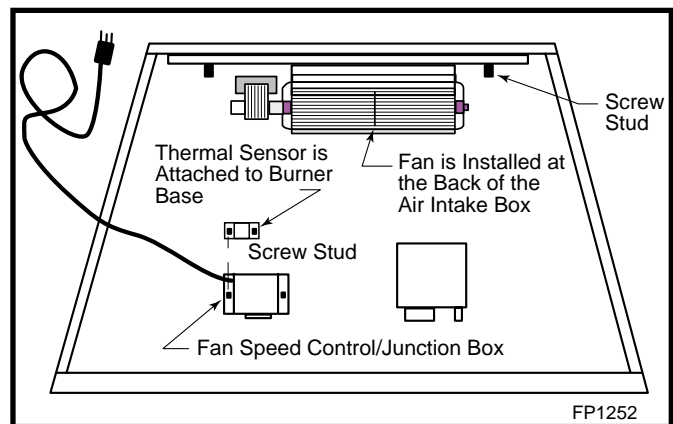


Fig. 3 Fan location.

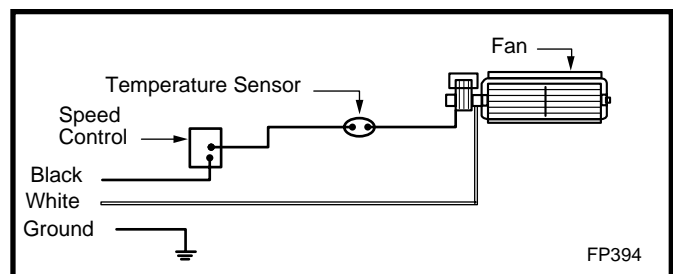


Fig. 4 Wiring diagram.

Installation of Trim Switch for RN/RP Gas Valves

1. Thread wire through openings on the right side of fireplace. Do not cut wire or insulation on metal edges.
2. Slide switch assembly from the back, between subframe and trim, then fasten the screw. (Fig. 5)
3. For left side installation reverse switch position in bracket and repeat Step 2. (Fig. 6)
4. Connect wiring to gas valve (Fig. 7a & b) and switch.

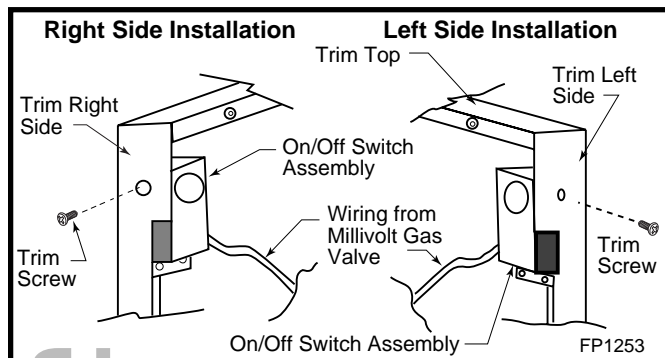


Fig. 5 Slide switch assembly between subframe and trim.

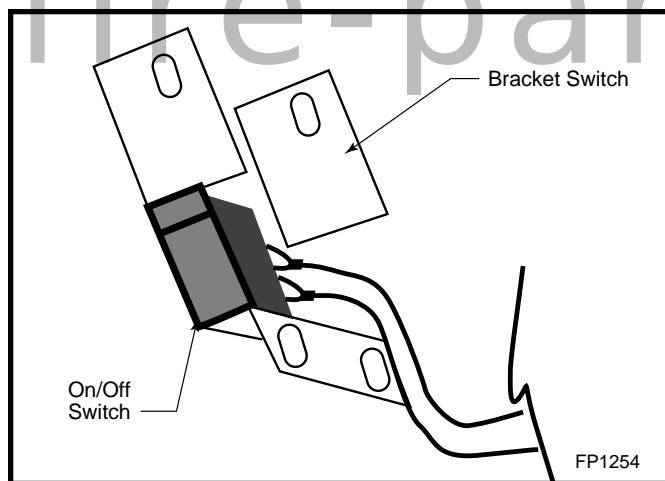


Fig. 6 For left side installation, reverse switch position in bracket.

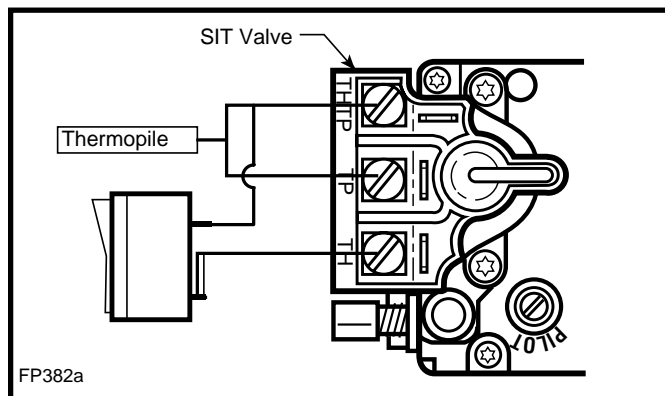


Fig. 7a On/Off switch or millivolt thermostat.

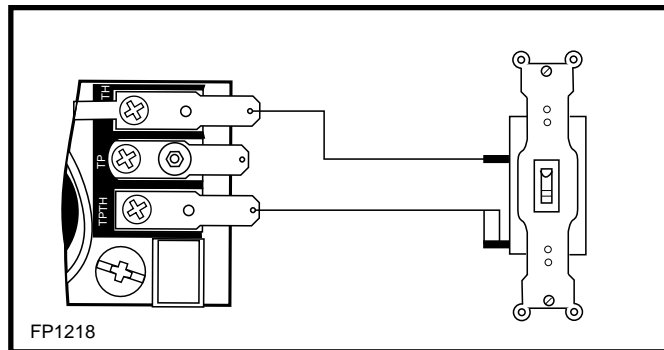


Fig. 7b On/Off switch wiring.



CAUTION: Do not wire millivolt remote wall switch for gas fireplace to a 120v power supply.

Adjustment of Levelling Bar (If Required)

1. Determine height of adjustment.
2. Loosen the four (4) screws. (Fig. 8)
3. Set bar at proper height and tighten the screws.
4. Add the two (2) extra screws to prevent any movement.

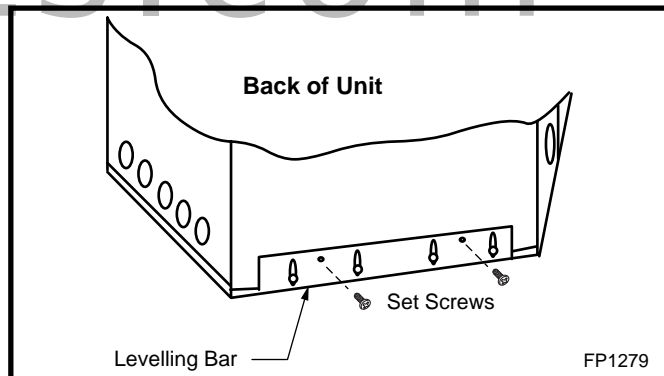


Fig. 8 Set levelling bar at proper height and tighten screws.

Venting and Installation

1. The Majestic fireplace may be installed in and vented through any solid fuel fireplace that has a minimum fireplace opening 28³/₄" wide x 21¹/₄" high x 16" deep and has been installed in accordance with the National, Provincial/State and local building codes and is constructed of noncombustible materials.
2. Only HEDVT (8 x 12) or HEDVT (12 x 12) termination kit and flex vent kit HEDVK25 or HEDVK35 is able to be used in this installation. **Under no circumstances should B vent or C vent be used on this application.**
3. Any flue damper must be removed or blocked open.

4. The chimney must be clean and in good working order and constructed of noncombustible materials.
5. Make sure that all chimney cleanouts fit properly so air cannot leak into the chimney.
6. Install the appliance without trim frame and make all gas fittings and electrical connections.
7. Install the decorative trim frame. Please refer to the Frame Assembly instructions.

! Installer must attach red warning plate with screws supplied with the gas fireplace insert to the inside of the firebox of the fireplace into which the gas fireplace insert is installed.

! Cutting any sheet metal parts of the fireplace, in which the gas fireplace insert is to be installed, is prohibited.

! If the factory-built fireplace has no gas access hole(s) provided, an access hole of 1.5 inch (37.5mm) or less may be drilled through the lower sides or bottom of the firebox in a proper workmanship like manner. This access hole must be plugged with a noncombustible insulation after the gas supply line has been installed.

WARNING

Some factory-built fireplaces have air passages on face of fireplace for zero clearance capabilities. All trim kits are designed so as to allow airflow to these passages. Under no circumstances should these passages be blocked.

Liner Installation - Fig. 9

! The collar extending down from the termination base is the air intake connector. Be sure the flex vent, which is connected to this collar, is also connected to the labelled air intake flue collar on the fireplace. Make sure the Flex vent is attached on the correct collar and cap for exhaust as well.

Slide the insulation provided in the termination kit over the two (2) 3" flex liners, (to be attached to the 3" Flue collar and cap of the termination). Feed one 3" flex vent from the bottom of the termination up through the 4" sleeve. Apply hi-temp sealant on the rain cap collar and slide the flex vent over the end of the rain cap collar fastening with the clamp provided. Slide the flex liner back down the 4" sleeve until 4" cap slides over the sleeve. Attach cap to the sleeve with four (4) screws supplied. Apply hi-temp sealant over the air intake

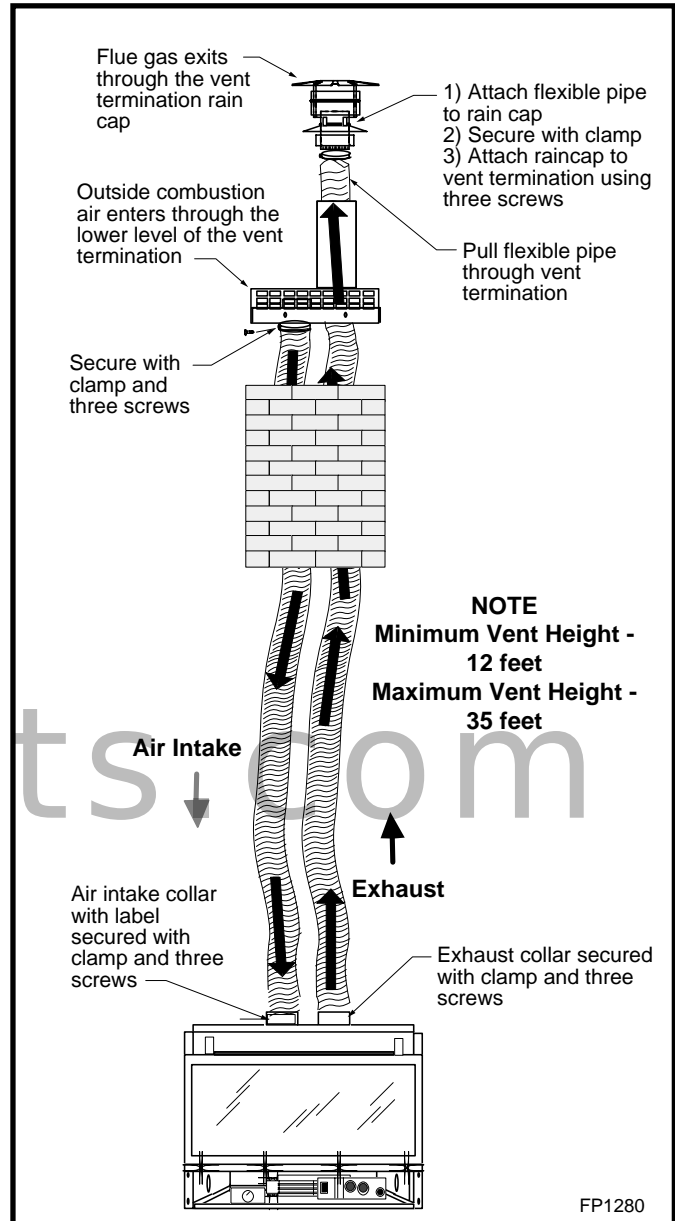


Fig. 9 Liner installation.

collar and attach intake flex vent in the same method. Feed the two flex liners down the chimney through the damper opening. Tighten termination to the chimney using the screws provided.

In case the fireplace opening is only minimum height 21" (533mm) and access from the front is not possible, then follow the instructions below.

1. Remove flue collar plate assembly. Unbolt the top fastener plate and move it to the back first before sliding the flue collar plate out from the top of the unit. (Fig. 10)
2. Apply a bead of hi-temp sealant on the end of the collar before attaching the liner to the flue collar. Fasten it with two clamps then adjust fastener plate all the way to the back before sliding flue gas plate back onto the unit. (Fig. 11 and Fig. 12)

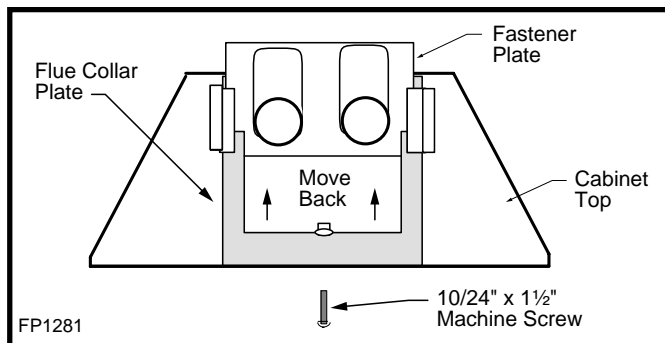


Fig. 10 Remove flue collar plate assembly.

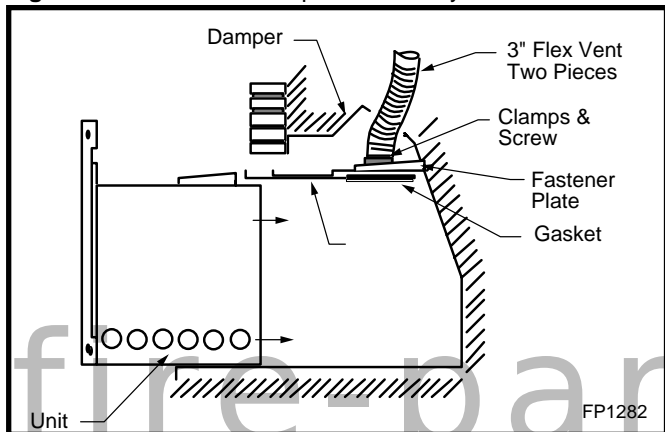


Fig. 11 Apply high temperature sealant to end of collar.

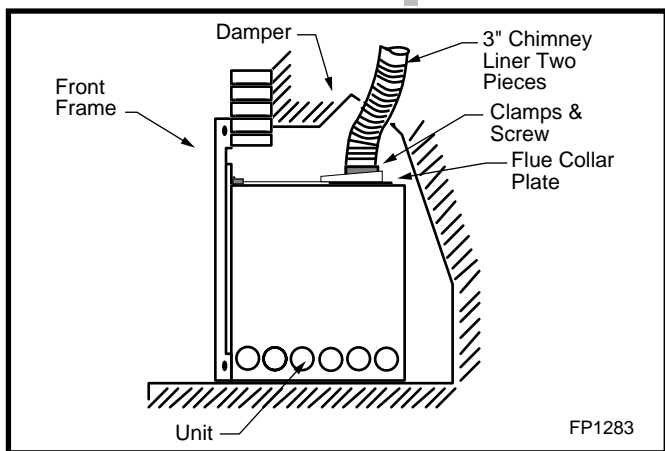


Fig. 12 Fasten with two clamps, adjust fastener plate all the way back.

3. After the flue collar plate is set on the cabinet top, make sure the front edge of the flue collar plate is completely in contact with the back edge of the cabinet top. (Fig. 13)
4. Put the machine screw back into the fastener plate. Bolt the plate until it is locked. (Fig. 14)

NOTE: Insulation can be installed above the damper area only, provided the insulation material is of noncombustible type.



Under no circumstances should insulation be put between the damper and the top of the unit. This may cause condensation and overheating of the unit.

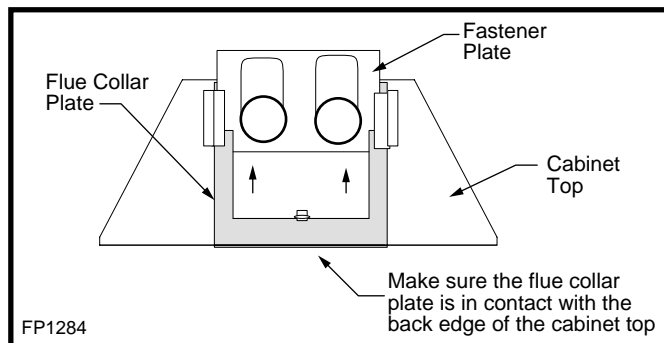


Fig. 13 The flue collar plate must be completely in contact with back edge of cabinet top.

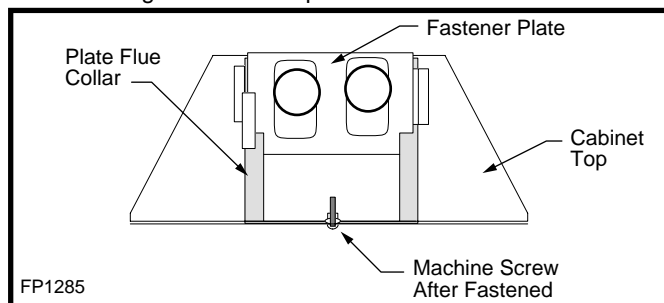


Fig. 14 Use machine screw to bolt fastener plate in place.

Ceramic Refractory Installation

1. Remove front glass.
2. Remove logs from unit.
3. Remove refractory from package
4. Take center refractory and tilt so bottom edge slides into support angle in back of fireplace. (Fig. 20)
5. Now press center refractory to back side of fireplace and hold in place.
6. Take left or right refractory and align it so leading edge faces outward. (Place refractory in fireplace side and slide it forward into side support angle on fireplace front. Leading edge of refractory must be completely behind side support angle of RHEDV32 for proper placement).
7. Now carefully slide in back side of refractory against fireplace side.
8. Repeat steps 6 and 7 for remaining side refractory.



When side refractory is installed correctly, the center refractory will be supported by the side refractory.

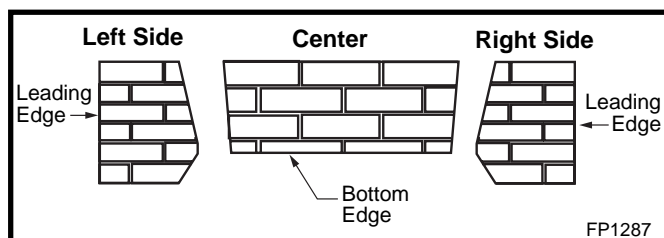


Fig. 15 Ceramic refractory.

Venting Components

	<p>8" x 12" Vent Termination Kit Model: HEDVT (8" x 12") (Fit typical 8" x 12" and 9" x 13" flue tile) Kit Includes: A - 8" x 12" Vent Termination (x1) B - Stainless Steel Clamps (x4) C - Hardware Package (x1) D - High Temperature Sealant (x1)</p>
	<p>12" x 12" Vent Termination Kit Model: HEDVT (12" x 12") (Fit typical 12"-13" x 12"-13" flue tile) Kit Includes: A - Vent Termination SL (x1) B - Stainless Steel Clamps 3"-3.5" (x4) C - Hardware Package (x1) D - High Temperature Sealant</p>
	<p>Flex Vent Kit Model: HEDVK25 Kit Includes: Two (2) 3" Dia. x 25ft. long, compressed flex vent NOTE: Air intake has a blue line on the vent.</p>
	<p>Flex Vent Kit Model: HEDVK35 Kit Includes: Two (2) 3" Dia. x 35 ft. long, compressed flex vent NOTE: Air intake has a blue line on the vent.</p>

Operating Instructions

General Glass Information



Only ceramic glass approved by Vermont Castings, Majestic Products may be used for replacement on this unit.

1. The use of substitute glass will void all product warranties.
2. Care must be taken to avoid breakage of the glass.
3. Under no circumstances should this appliance be operated without glass properly installed, or with any cracked or broken glass. Replacement of any glass assembly as supplied by the manufacturer should be done by a licensed qualified service person.

Louvre Removal

To remove louvre pull louvre up and then lift out. (Fig. 16)

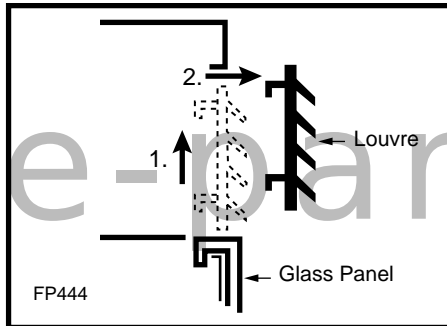


Fig. 16 Louvre removal.

Glass Cleaning

It will be necessary to clean the glass periodically. During start-up condensation, which is normal, forms on the inside of the glass and causes lint, dust and other airborne particles cling to the glass surface. Also initial paint curing may deposit a slight film on the glass. It is therefore recommended that the glass be cleaned two or three times with a non-ammonia household cleaner and warm water (we recommend gas fireplace glass cleaner). After that the glass should be cleaned two or three times during each heating season depending on the circumstances present.



Clean glass after first two weeks of operation.

Glass Frame Removal

1. Remove four (4) bottom fastening screws with a 3/8" nut driver. (Fig. 17)
2. Lift up and unhook glass frame at the top.

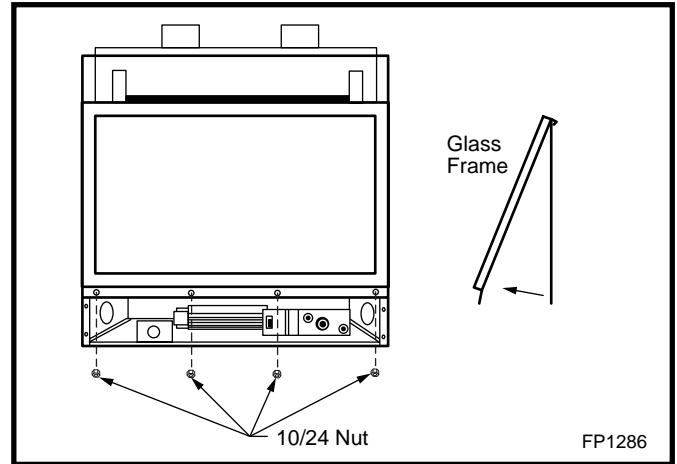


Fig. 17 Remove four screws to remove glass frame.

Log Installation and Burner Lava Rock

1. Remove front glass. (See "Glass Removal" section)
2. Remove logs from packaging.
3. Place rear log (JR4, KR4 or SR4) on rear bracket (ensure log is seated properly, leveled and centered to the unit), so it will not move side to side and is firmly positioned on the bracket.
4. Slip front ember log (JR1, KR1 or SR1) down in the front deflector.
5. Place front left log (JR2, KR2 or SR2) on top burner, left side. Use log's bottom holes to locate it into the left bracket log locator studs.
6. Place front right log (JR3, KR3 or SR3) on top of burner, right side. Use log's bottom holes to locate it into the right bracket log locator studs.
7. Place burner lava rock material on top of burner. (Fig. 18, 19 & 20 for proper location).
8. Place top right log (JR6, KR6 or SR6) onto locator notches. Ensure log is secure.
9. Place top left log (JR5, KR5 or SR5) onto locator notches. Ensure log is secure.



Top logs must be placed properly into notches

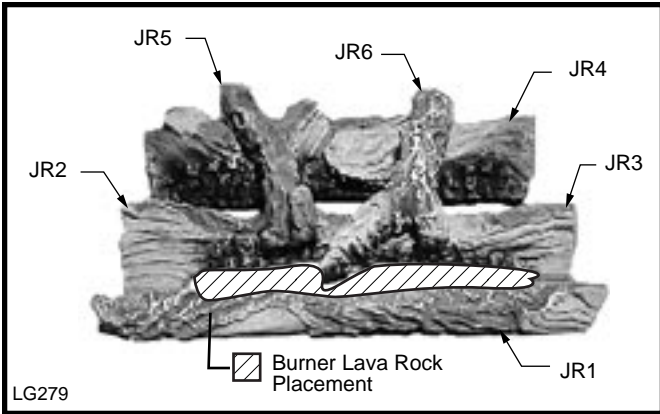


Fig. 18 RHEDV25 log and lava rock placement.

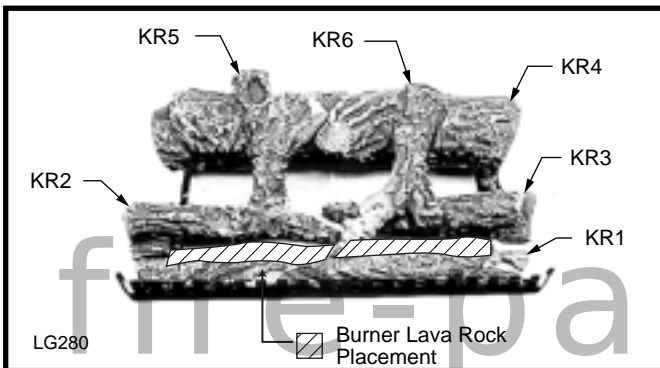


Fig. 19 RHEDV32 log and lava rock placement.

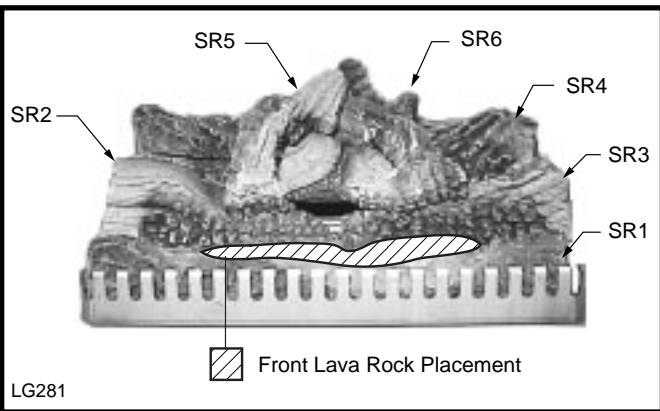


Fig. 20 RHEDV42 log and lava rock placement.

Large Lava Rock Placement

The large lava rock provided with this fireplace must be placed on the firebox base on either side of the burner assembly.



Under no circumstances should these lava rock be placed on top of the burner assembly.

Flame Adjustment (RN/RP Models)

For fireplaces equipped with HI/LO valves, flame adjustment is accomplished by rotating the HI/LO adjustment knob located near the center of the gas control. (Figs. 21 or 22)

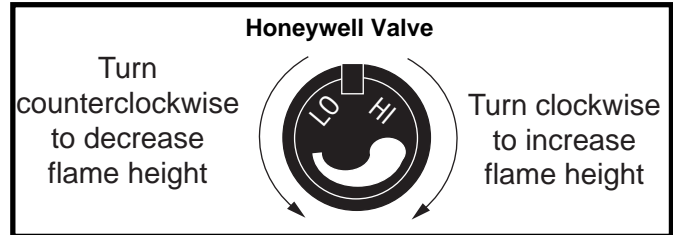


Fig. 21 Flame adjustment knob for Honeywell Valve.

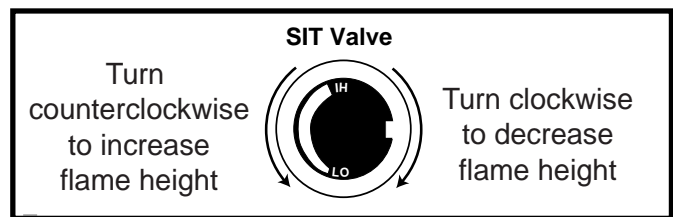


Fig. 22 Flame adjustment knob for SIT Valve.

Temperature Adjustment (TN/TP Models)

The HI/LO reference on the control knob (Fig. 23) is to indicate a higher or lower temperature setting. This setting controls the heat by reducing then shutting off the flame as the desired temperature is reached. Position the control knob where it effectively maintains a comfortable room temperature.

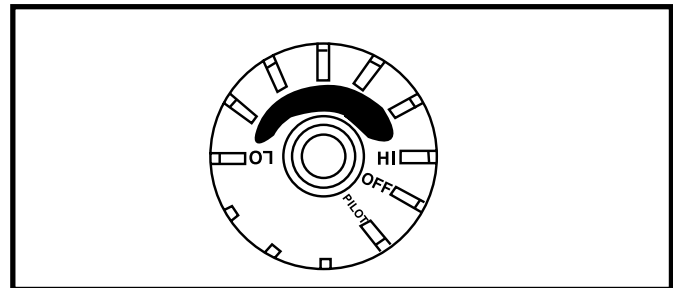


Fig. 23 Temperature adjustment knob for TN/TP models.

Flame Characteristics

It is important to periodically perform a visual check of the pilot and the burner flames. Compare them to the Figure 24 and Figure 25 or 26. If any of the flames appear abnormal call a service person.

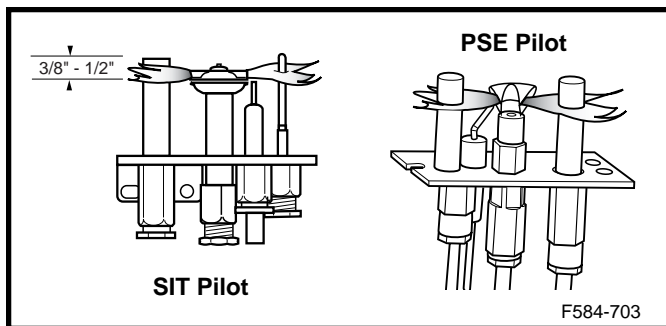


Fig. 24 Correct pilot flame appearance.

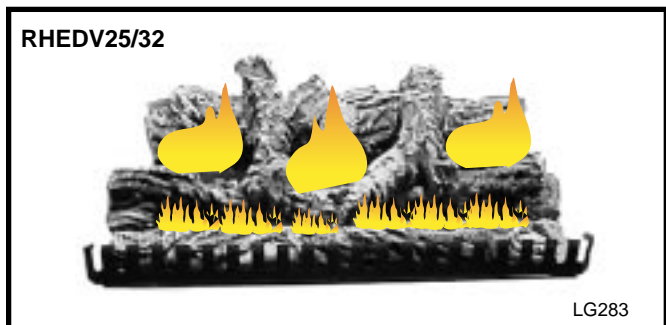


Fig. 25 Correct burner flame appearance for RHEDV25 and RHEDV32 models.

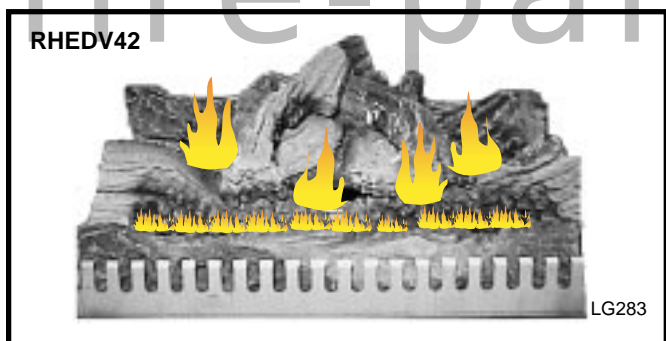


Fig. 26 Correct burner flame appearance for RHEDV42.

First Firing

Upon completing the gas line connection, a small amount of air will be in the lines. When first lighting unit with pilot light, it will take a few minutes to purge themselves of this air. Once the purging is complete, the pilot and burner will light and operate as indicated in the instruction manual. Subsequent lightings of the heater will not require such purging.

When lit for the first time, the appliance will emit a slight odor for awhile. This is due to paint and lubricants used in the manufacturing process. After each lighting, vapor may condense and fog the glass; this moisture disappears within a few minutes of burning.

Lighting And Operating Instructions

FOR YOUR SAFETY READ BEFORE LIGHTING

WARNING: If you do not follow these instructions exactly, a fire or explosion may result causing property damage, personal injury or loss of life.

- A. This heater has a pilot which must be lit manually. When lighting the pilot follow these instructions exactly.
- B. BEFORE LIGHTING smell all around the heater area for gas. Be sure to smell next to the floor because some gas is heavier than air and will settle on the floor.

WHAT TO DO IF YOU SMELL GAS

- Do not try to light any fireplace
- Do not touch any electric switch
- Do not use any phone in your building
- Immediately call your gas supplier from a neighbor's phone. Follow the gas supplier's

instructions.

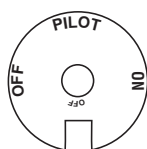
- If you cannot reach your gas supplier, call the Fire Department
- C. Use only your hand to push in or turn the gas control knob. Never use tools. If the knob will not push in or turn by hand, do not try to repair it, call a qualified service technician. Applying force or any attempted repair may result in a fire or explosion.
 - D. Do not use this fireplace if any part has been under water. Immediately call a qualified service technician to inspect the heater and to replace any part of the control system and any gas control which has been under water.

Lighting Instructions

1. **STOP!** Read the safety information above.
2. Turn off all electrical power to the fireplace.
3. For MN/MP/TN/TP appliances ONLY, go on to Step 4. For RN/RP appliances turn the On/Off switch to "OFF" position or set thermostat to lowest level.
4. Open control access panel.
5. Push in gas control knob slightly and turn clockwise to "OFF".



Euro SIT



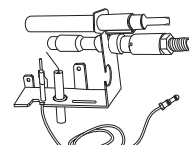
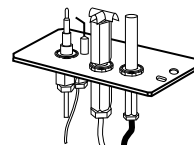
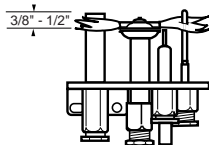
SIT NOVA



Honeywell

6. Wait five (5) minutes to clear out any gas. Then smell for gas, including near the floor. If you smell gas, **STOP!** Follow "B" in the safety information above. If you do not smell gas, go to the next step.
7. Remove glass door before lighting pilot. (See Glass Frame Removal section).
8. Visibly locate pilot by the main burner.
9. Turn knob on gas control counterclockwise to "PILOT".

10. Push the control knob all the way in and hold. Immediately light the pilot by repeatedly depressing the piezo spark ignitor until a flame appears. Continue to hold the control knob in for about one (1) minute after the pilot is lit. Release knob and it will pop back up. Pilot should remain lit. If it goes out, repeat steps 5 through 8.



- If knob does not pop up when released, stop and immediately call your service technician or gas supplier.
 - If after several tries, the pilot will not stay lit, turn the gas control knob to " " and call your service technician or gas supplier.
11. Replace glass door.
 12. Turn gas control knob to "ON" position.
 13. For RN/RP appliances turn the On/Off switch to "ON" position or set thermostat to desired setting.
 14. Turn on all electrical power to the fireplace.

To Turn Off Gas To Heater

1. Turn the On/Off switch to "OFF" position or set the thermostat to lowest setting.
2. Turn off all electric power to the fireplace if service is to be performed.
3. Open control access panel.
4. Push in gas control knob slightly and turn clockwise to "OFF". Do not force.
5. Close control access panel.

Troubleshooting the Gas Control System

SIT NOVA 820 Millivolt Valve

NOTE: Before trouble shooting the gas control system, be sure external gas shut off is in the “On” position.

WARNING: Before doing any gas control service work, remove glass front.

SYMPTOM	POSSIBLE CAUSES	CORRECTIVE ACTION
1. Spark ignitor will not light	A. Defective or misaligned electrode at pilot.	Using a match, light pilot. If pilot lights, turn off pilot and push the red button again. If pilot will not light - check gap at electrode and pilot-should be 1/8" to have a strong spark.
	B. Defective ignitor (Push Button)	Push Piezo Ignitor Button. Check for spark at electrode and pilot. If no spark to pilot, and electrode wire is properly connected, replace ignitor.
2. Pilot will not stay lit after carefully following lighting instructions.	A. Defective pilot generator (thermocouple), remote wall switch.	Check pilot flame. Must impinge on thermocouple/thermopile. Note: this pilot burner assembly utilizes both-a thermocouple and a thermopile. The thermocouple operates the main valve operation (On and Off). Clean and or adjust pilot for maximum flame impingement on thermopile and thermocouple.
	B. Defective automatic valve	Turn valve knob to “Pilot”. Maintain flow to pilot; milivolt meter should read greater than 10 mV. If the reading is okay and the pilot does not stay on, replace the gas valve. Note: An interrupter block (not supplied) must be used to conduct this test.
3. Pilot burning, no gas to main burner	A. Wall switch or wires defective	Check wall switch and wires for proper connections. Jumper wire across terminals at wall switch, if burner comes on, replace defective wall switch. If okay, jumper wires across wall switch wires at valve, if burner comes on, wires are faulty or connections are bad.
	B. Thermopile may not be generating sufficient millivoltage.	<ol style="list-style-type: none"> 1. Be sure wire connections from thermopile at gas valve terminals are tight and thermopile is fully inserted into pilot bracket. 2. One of the wall switch wires may be grounded. Remove wall switch wires from valve terminals if pilot now stays lit, trace wall switch wiring for ground. May be grounded to fireplace or gas supply. 3. Check thermopile with millivolt meter. Take reading at thermopile terminals of gas valve. Should read 250-300 millivolts (minimum 150) while holding valve knob depressed in pilot position and wall switch “Off”. Replace faulty thermopile if reading is below specified minimum.
	C. Plugged burner orifice.	Check burner orifices for debris and remove.
	D. Defective automatic valve operator.	Turn valve knob to “On”, place wall switch to “On” millivolt meter should read greater than 100 mV. If the reading is okay and the burner does not come on, replace the gas valve.
4. Frequent pilot outage problem.	A. Pilot flame may be too low or blowing (high) causing the pilot safety to drop out.	Clean and/or adjust pilot flame for maximum flame impingement on thermopile and thermocouple.
	B. Possible blockage of the vent terminal.	Check the vent terminal for blockage (recycling the flue gases)

Troubleshooting the Gas Control System

Eurosit 630 Gas Valve

NOTE: Before troubleshooting the gas control system, be sure external gas shut off is in the "On" position.

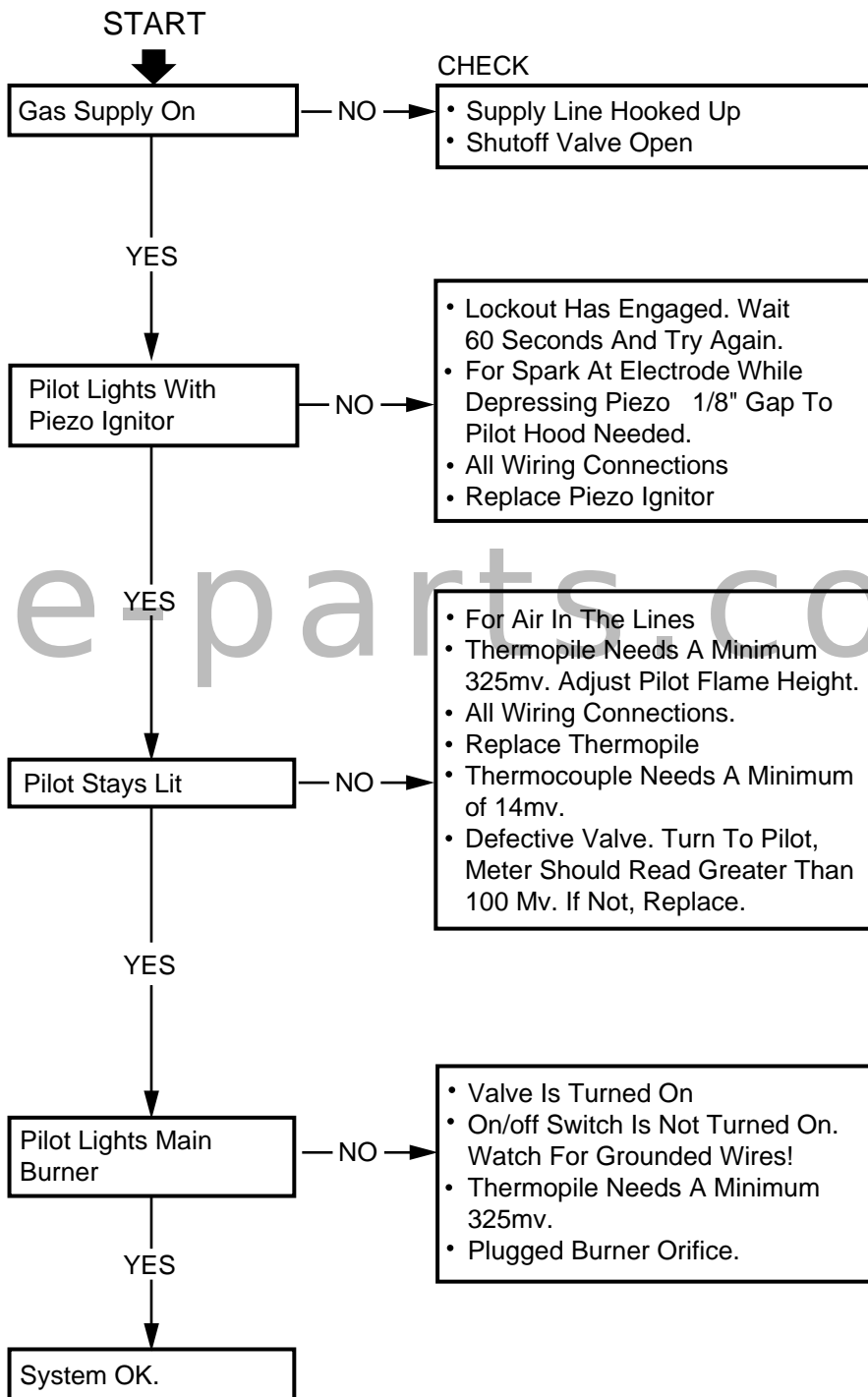


WARNING: Before doing any gas control service work, remove glass front.

Symptom	Possible Causes	Corrective Action
1. Spark ignitor will not light	A. Defective or misaligned electrode at pilot. B. Defective ignitor (Push Button)	Using a match, light pilot. If pilot lights, turn off pilot and push the red button again. If pilot will not light - check gap at electrode and pilot-should be 1/8" to have a strong spark. Push Piezo Ignitor Button. Check for spark at electrode and pilot. If no spark to pilot, and electrode wire is properly connected, replace ignitor.
2. Pilot will not stay lit after carefully following lighting instructions.	A. Defective pilot generator thermocouple. B. Defective automatic valve operator.	Check pilot flame. Must impinge on thermocouple. Clean and or adjust pilot for maximum flame impingement on thermocouple. Turn valve knob to "Pilot". Maintain flow to pilot, millivolt meter should read greater than 10 mV. If the reading is okay and the pilot does not stay on, replace the gas valve. Note: An interrupter block (not supplied) must be used to conduct this test.
3. Pilot burning, no gas to burner, Valve knob "ON".	A. Sensing bulb not in proper location. B. Temperature sensing bulb damaged or tubing to bulb kinked	Make sure sensing bulb is located in bracket on the lower right hand side of unit. Carefully examine sensing bulb and capillary tube for damage. If tubing is kinked, replace gas valve.
4. Frequent pilot outage problem.	A. Pilot flame may be too low or blowing (high) causing the B. Possible leak in liner or seals.	Clean and/or adjust pilot flame for maximum flame impingement on thermocouple. pilot safety to drop out. Check the venting for leaks or blockage.

Troubleshooting the Gas Control System

Honeywell Millivolt Valve



Maintenance

Burner and Burner Compartment

It is important to keep the burner and the burner compartment clean. At least once per year the logs and lava rock/ember material should be removed and the burner compartment vacuumed and wiped out. Remove and replace the logs as per the instructions in this manual.



Always handle the logs with care as they are fragile and may also be hot if the fireplace has been in use.

Fan Assembly

The fan unit requires periodic cleaning. At least once per month in the operating season, open the lower louver panels and wipe or vacuum the area around the fan to remove any build up of dust or lint.

Cleaning the Standing Pilot Control System

The burner and control system consists of:

- main burner
- pilot burner
- gas orifice
- thermopile
- combination millivolt gas valve

Most of these components may require only an occasional checkup and cleaning and some may require adjustment. If repair is necessary, it should be performed by a qualified technician.

In order to properly clean the burner and pilot assembly, turn off the gas to the unit, remove the window frame panel and logs exposing the burner and pilot assembly. Clean all foreign materials from the top of the burner. Check to make sure that burner parts are clean.

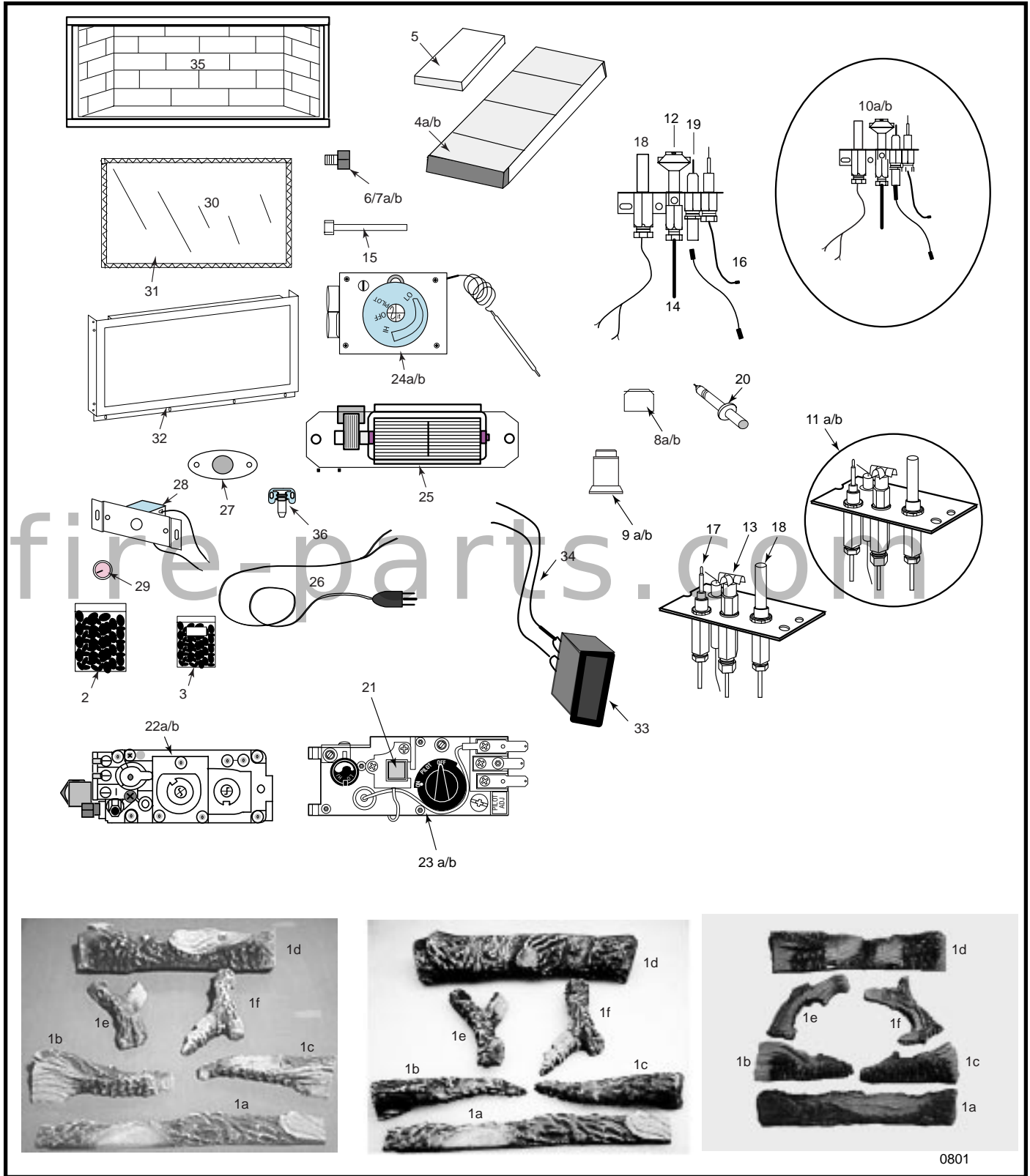
Visually inspect pilot. Brush or blow away any dust or lint accumulation. If pilot orifice is plugged, disassembly may be required to remove any foreign material from the orifice or tubing.

To obtain proper operation, it is imperative that the pilot and burner's flame characteristics are steady, not lifting or floating.

Typically, the top 1/8" of the thermopile should be engulfed in the pilot flame. (Page 13, Fig. 24)

Brass Cleaning

Clean the brass trim with a soft clean cloth, slightly dampened with lemon oil and buff with a soft dry cloth. Do not use brass polish or household cleaners as these products will damage the trim. Lemon oil can be obtained at supermarkets or hardware stores.



Vermont Castings, Majestic Products reserves the right to make changes in design, materials, specifications, prices and discontinue colors and products at any time, without notice.

RHEDV25/32/42 Series

RHEDV25/32/42 Series (continued)

Ref.	Description	RHEDV25	RHEDV32	RHEDV42
1.	Log Set Complete	10000199	57896	10000206
1a.	Log Ember Front	JR1	KR1	SR1
1b.	Log Front Left	JR2	KR2	SR2
1c.	Log Front Right	JR3	KR3	SR3
1d.	Log Rear	JR4	KR4	SR4
1e.	Log Top Left	JR5	KR5	SR5
1f.	Log Top Right	JR6	KR6	SR6
2.	Lava Rock (Package)	-	10001454	10001454
3.	Burner Lava Rock (Package)	57897	57897	57897
4a.	Burner Complete With Tiles (Nat.)	10000193	10000198	10000954
4b.	Burner Complete With Tiles (Prop.)	10000193	57904	10000955
5.	Ceramic Tile (Single)	57803	57803	57803
6a.	Orifice Front Burner (Nat.)	See Rating Plate For Orifice Size		
6b.	Orifice Front Burner (Prop.)	See Rating Plate For Orifice Size		
7a.	Orifice Main Burner (Nat.)	See Rating Plate For Orifice Size		
7b.	Orifice Main Burner (Prop.)	See Rating Plate For Orifice Size		
8a.	Orifice Pilot SIT (Nat.)	54273	54273	54273
8b.	Orifice Pilot SIT (Prop.)	54272	54272	54272
9a.	Orifice Pilot PSE (Nat.)	10001822	10001822	10001822
9b.	Orifice Pilot PSE (Prop.)	10001823	10001823	10001823
10a.	Pilot Assembly SIT (Nat.)	10000674	10000674	10000674
10b.	Pilot Assembly SIT (Prop.)	10000675	10000675	10000675
11a.	Pilot Assembly PSE (Nat.)	10001741	10001741	10001741
11b.	Pilot Assembly PSE (Prop.)	10001742	10001742	10001742
12.	Pilot SIT	10001295	10001295	10001295
13.	Pilot w/ignitor and cable PSE	10001824	10001824	10001824
14.	Pilot Tubing w/fittings	10001296	10001296	1000129
15.	Manifold Tubing w/fittings	57318	57318	57318
16.	Thermocouple SIT	53373	53373	53373
17.	Thermocouple PSE	10001825	10001825	10001825
18.	Thermopile	51827	51827	51827
19.	Electrode Ignitor w/cable SIT	10001297	10001297	10001297
20.	Ignitor Piezo SIT	52464	52464	52464
21.	Ignitor Piezo Honeywell	2000062	2000062	2000062
22a.	Valve Sit 820 RN	52677	52677	52677
22b.	Valve Sit 820 RP	52678	52678	52678
23a.	Valve Honeywell RN	10001782	10001782	10001782
23b.	Valve Honeywell RP	10001759	10001759	10001759
24a.	Valve Eurosit 630 TN	-	53448	53448
24b.	Valve Eurosit 630 TP	-	53446	53446
25.	Fan with Bracket	54103	54103	54103
26.	Electrical Cord (6 ft)	51865	51865	51865
27.	Fan Temperature Sensor	51704	51704	51704

RHEDV25/32/42 Series (continued)

Ref.	Description	RHEDV25	RHEDV32	RHEDV42
28.	Speed Control	51738	51738	51738
29.	Speed Control Knob	51882	51882	51882
30.	Glass with Gasket	10000803	5459/7	54234
31.	Gasket Glass	57316	57316	57316
32.	Frame Window	10000137	57192	10000960
33.	Remote Switch	53606	53606	53606
34.	Remote Wire Harness with Terminals	57265	57265	57265
35.	Ceramic Refractory Kit	10000816	10000230	10000996
36.	Clamp Frame Window	-	-	10000949

fire-parts.com

Optional Accessories

Remote Controls

Optional remote control units are available to control different functions of the appliance.

Model	Function(s) Controlled
MRC1	ON/OFF
MRC2	ON/OFF and Temperature
MRC3	ON/OFF and Temperature control with a digital and a programmable 24 hour clock
IMT	Wall mounted thermostat control

Zero Clearance Kit

For installations other than in existing woodburning fireplaces such as new construction or renovation projects, a Zero Clearance Kit must be used. The HEZC enables these inserts to be installed in combustible environments. It is recommended that an Air Kit (AKZC) be installed whenever using a Zero Clearance Kit. Consideration must be given to the dimensions of the Zero Clearance Kit and the requirements of the Air Kit when planning out the installation.

Follow the instructions supplied with the Zero Clearance Kit carefully for proper installation.

A Trim Options for RHEDV25

A1 RHE25SSP, HE25LP Trims

For use with RHEDV25

RHE25SSP	Small surround, black with thin polished brass edge
HE25LP	Large polished brass edge (to be used with RHE25SSP)

Trim Assembly

RHE25SSP

1. Install trim channels (left and right sides). Use two screws to assemble each piece.
2. Slide on the trim top channel and fasten it from the back side.
3. Install the trim top deflector using two screws.
4. Remove ALL plastic protective covering from brass trim.

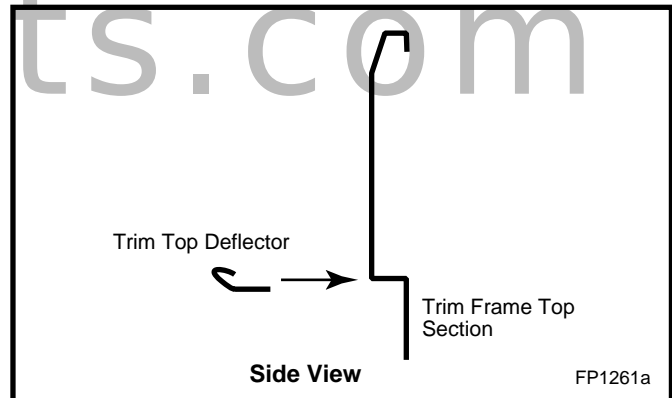


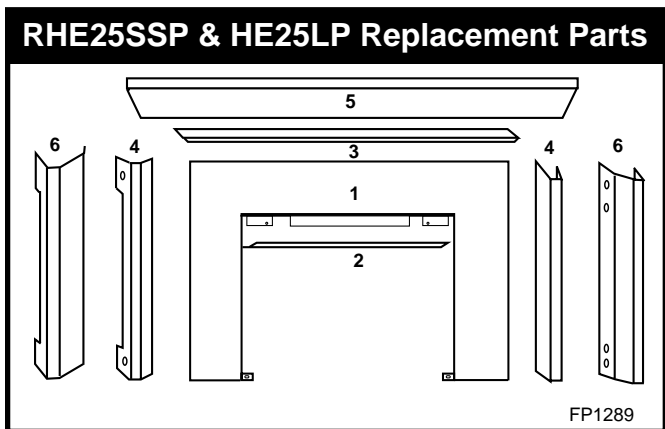
Fig. 27 Trim top deflector.

HE25LP

1. To install the kit you do not have to remove any piece of brass, you just add the external pieces.
2. Remove the frame trim from the unit if it is already installed.
3. Install trim channels (left and right sides) by removing the two screws that hold the side brass trim and put them back to hold both parts.
4. Slide on the trim top channel and fasten it from the back side.
5. Remove the two screws that hold the top brass trim.
6. Install the two brackets to the studs in the bottom of the top channel. Use the nuts supplied with top trim channel.



A flat louvre kit OR a bay window kit need to be chosen to complete the installation.



Vermont Castings, Majestic Products reserves the right to make changes in design, materials, specifications, prices and discontinue colors and products at any time, without notice.

IMPORTANT: Only trim panel assemblies approved by Vermont Castings, Majestic Products can be used on these products.

ALL repair parts will be available from your local dealer. When ordering, always give the following information: Model and serial number, part description with finish and part number.

Key	Description	RHE25SSP	HE25LP ⁽¹⁾
1	Trim Frame Black	10001939	-
2	Trim Top Deflector	55099	-
3	Trim Top Channel ⁽¹⁾	55077	-
4	Trim Side Channel	55096	-
5	Trim Top Channel	-	55097
6	Trim Side Channel	-	55080
7	Fasteners Package (Not Shown)	54618	57633

(1) LP trim to be used with SSP trim.
 SSP trim dimensions are for openings smaller than 26½" H x 38" W (673mm x 965mm).
 LP trim dimensions are for openings smaller than 29" H x 41" W (736mm x 1040mm).

A2 HE25FP Trim

For use with RHEDV25

HE25FP Flat face louvres with polished window brass trim

Trim Assembly

1. Remove the front glass (see "Glass Frame Removal" section).
2. Install top and bottom brass trim by using the shortest black screw. (Fig. 27 & 28)
3. Install bottom decorative plate by simply sliding it under the unit floor. No fastening is required for this installation. (Fig. 29) Be sure to remove protective cover.

4. Install the bottom louvre assembly by fastening the hinges with four screws to the pre-punched holes in the cabinet.
5. Re-install the front glass.
6. Install the top louvre by using the hooks to hang it in place.

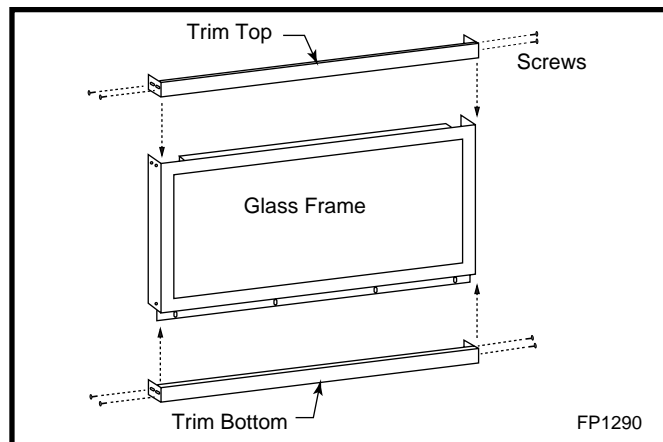


Fig. 27 Install top and bottom brass trim.

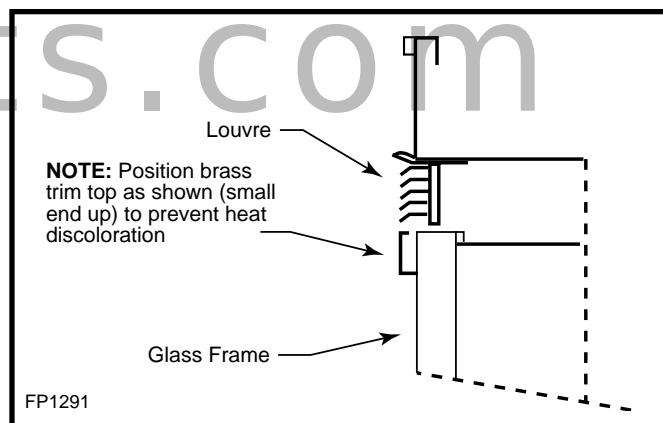


Fig. 28 Position brass trim top with small end up.

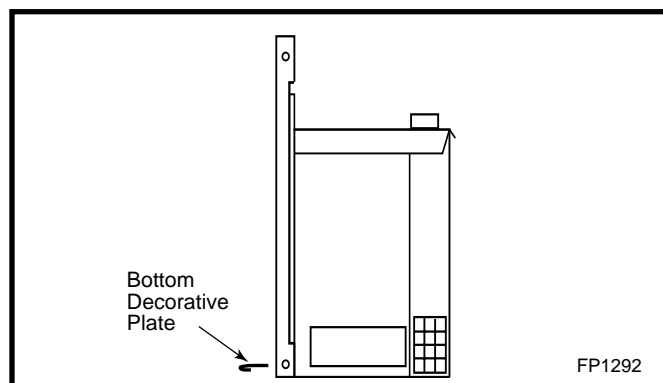
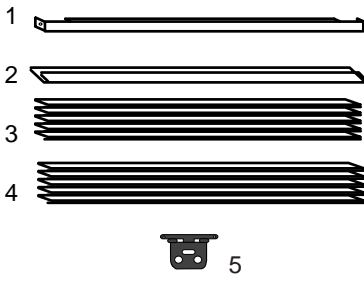


Fig. 29 Slide bottom decorative plate under unit floor.

HE25FP Replacement Parts



FP1293

Vermont Castings, Majestic Products reserves the right to make changes in design, materials, specifications, prices and discontinue colors and products at any time, without notice.

IMPORTANT: Only trim panel assemblies approved by Vermont Castings, Majestic Products can be used on these products.

ALL repair parts will be available from your local dealer. When ordering, always give the following information: Model and serial number, part description with finish and part number.

Key	Description	HE25FP
1	Trim Window Top/Bottom	55098
2	Trim Bottom Channel	55079
3	Top Louvre Assembly	54603
4	Bottom Louvre Assembly	54604
5	Hinge	52356
6	Fasteners Package (Not Shown)	57916

A3 HE25BTKP

For use with RHEDV25

HE25BTKP Bay window kit with polished brass trim



Do not remove existing glass with frame.

Trim Assembly

1. Reposition controls.
 - a. Remove the Fan Speed Control Box (Fig. 30)
 - b. Attach the Fan Speed Control Box to the Bracket (Fig. 31) and install the Bracket into the Cabinet.

Only for RN/RP VALVE units:

- c. Install the Control Knobs Extensions onto the appropriate Control Valve Knobs (Fig. 32)



On units fitted with a Honeywell brand control valve the location of the control knobs and the ignitor button may vary slightly from those shown in Figure 32. The Honeywell extension pieces are visually different in design and are not interchangeable with the RN/RP knobs shown in Figure 32.

2. Install the hanging brackets, as shown in Figure 33.
3. Install bracket on each side of the cabinet as shown in Figure 37.
4. Install the ceramic piece inside the bay window.
5. Install the bay window by hanging it onto the lower tabs of the hanging brackets, as shown in Figure 34.
6. Install top louvre by engaging the oblong holes with the upper tabs of the hanging brackets, as shown in Figure 35.
7. Install brass trim to the steel frame as shown in Figure 36.

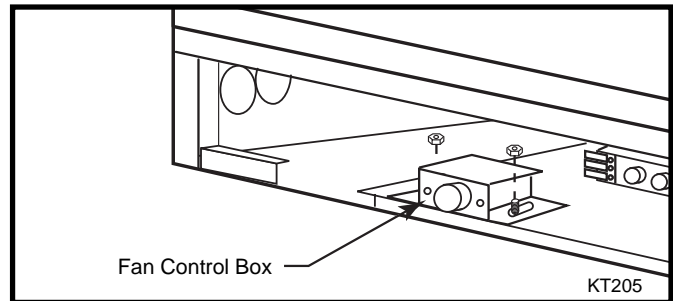


Fig. 30 Remove fan control box.

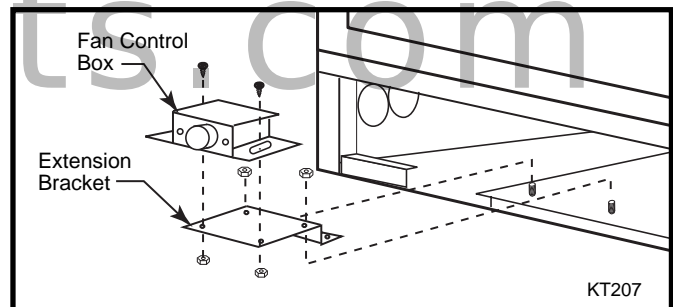


Fig. 31 Attach the control box to the bracket and install bracket into the cabinet.

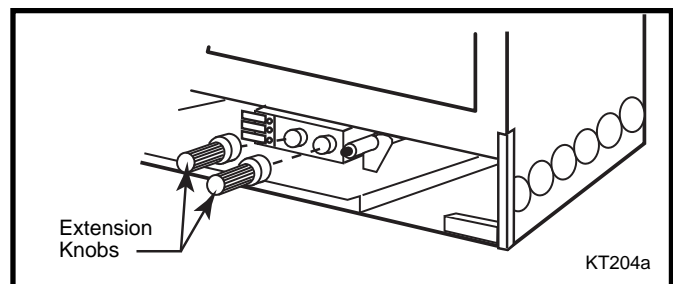


Fig. 32 Install the knob extensions. (Only for RN/RP models)

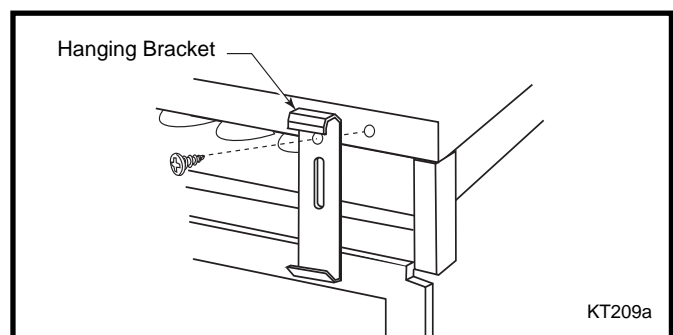


Fig. 33 Hanging bracket alignment.

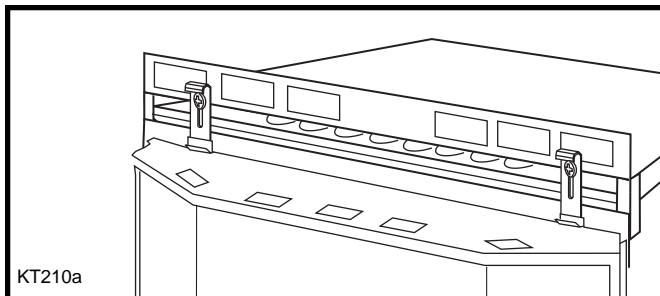


Fig. 34 Hang the window grille or the steel frame onto the lower tabs of the hanging brackets.

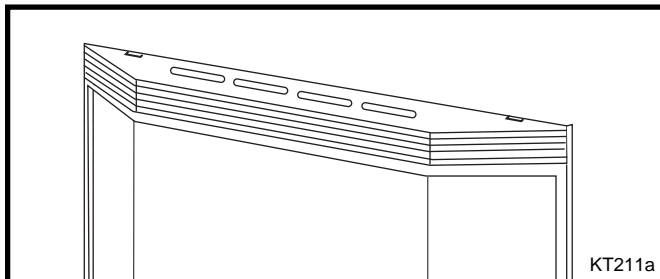


Fig. 35 Engage the slots in the upper grille top louvre with the upper tabs of the hanging brackets.

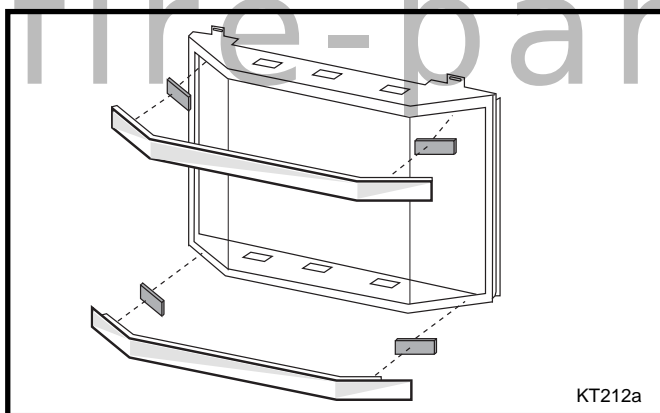


Fig. 36 Attach magnets and brass trim to the steel frame.

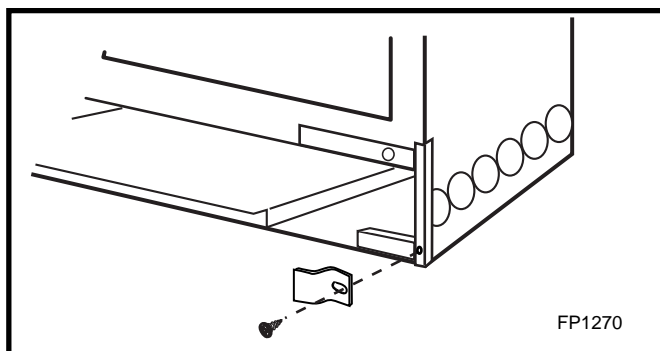
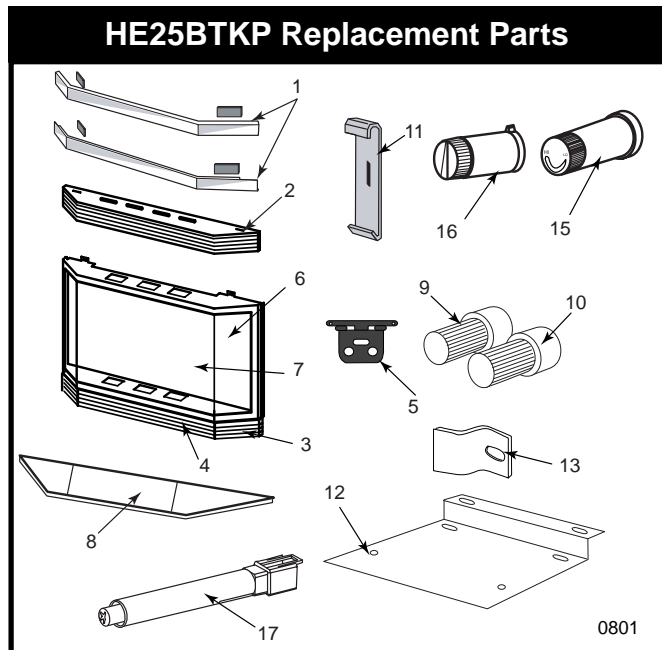


Fig. 37 Bracket for HEBTKP.



Vermont Castings, Majestic Products reserves the right to make changes in design, materials, specifications, prices and discontinue colors and products at any time, without notice.

IMPORTANT: Only trim panel assemblies approved by Vermont Castings, Majestic Products can be used on these products.

ALL repair parts will be available from your local dealer.

When ordering, always give the following information:
Model and serial number, part description with finish and part number.

Key	Description	HE25BTKP
1	Trim Window Top & Bottom (w/magnets)	10000779
2	Top Louvre Assembly	10000780
3	Bottom Louvre Assembly	10000787
4	Control Door	10000786
5	Hinge	52356
6	Glass Side	10000388
7	Glass Front	10000389
8	Ceramic Refractory Bay	10000529
9	Extension Knob On/Off (only for RN/RP valves)	55163
10	Extension Knob Hi/Lo (only for RN/RP valves)	55162
11	Bracket Hanging Bay Window	1409129
12	Bracket Extension Rheostat	1409146
13	Bracket Mounting Bay Window	57877
14	Hardware Package (Not Shown)	10000530
15	Extension Knob Hi/Lo (Honeywell Valve)	20000006
16	Extension Knob On/Off (Honeywell Valve)	20000007
17	Extension Knob Piezo Ignitor (Honeywell Valve)	20001427

A4 Riser Kits

For use with RHEDV25 (Refer to Page 34, Figure 55)

1. Install the unit according to Homeowner's Manual.
2. Install the trim according to Installation Instructions.
3. Remove the two (2) screws at the bottom of the trim.
4. Install the riser at the bottom of the trim. (Fig. 55)
5. Fasten the trim with the same two (2) screws removed on step 3.

Riser Trim Dimensions

	Length - A	Height - B	Depth - C
RHE25R1-Riser 1"	38.3" (973mm)	1" (25.6mm)	2.86" (72.8mm)
RHE25R2-Riser 2"	38.3" (973mm)	2" (50.9mm)	2.89" (73.6mm)
RHE25R5-Riser 5"	38.3" (973mm)	5" (127.9mm)	2.86" (72.8mm)

B Trim Options for RHEDV32

B1 RHES, RHESL, RHESD, RHESLD, & RHESXL Trims

For use with RHEDV32

Frame Assembly

RHES, RHESL, RHESD, RHESLD and RHESXL

1. Lay Trim Top Facing and Trim Side Facings, face down on to an even surface such as a table or floor. Be sure not to scratch the painted surfaces.
2. Install the nuts and bolts. (Fig. 38)

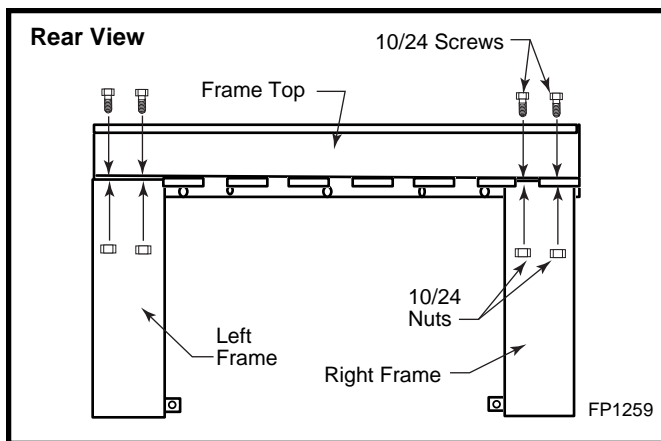


Fig. 38 Attach left and right frame to frame top.

Trim Assembly

RHES, RHESL and RHESXL (Fig. 39)

1. Install trim channels (left and right sides). Use two screws to assemble each piece.
2. Slide on the trim top channel and fasten it from the back side.

3. Install the trim top deflector and use two screws to fasten it. (Fig. 39 & 40)
4. Remove ALL plastic protective covering from brass trim.

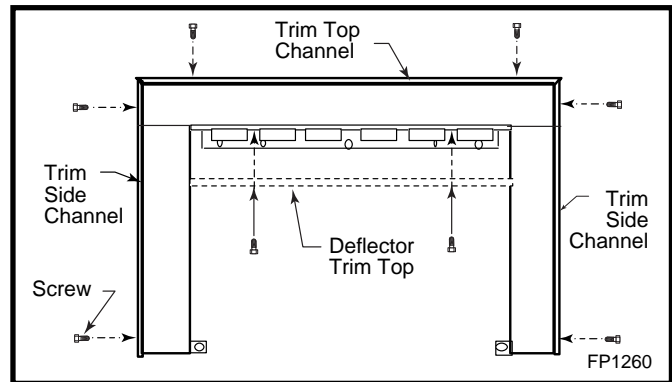


Fig. 39 Install trim channels and trim top deflector.

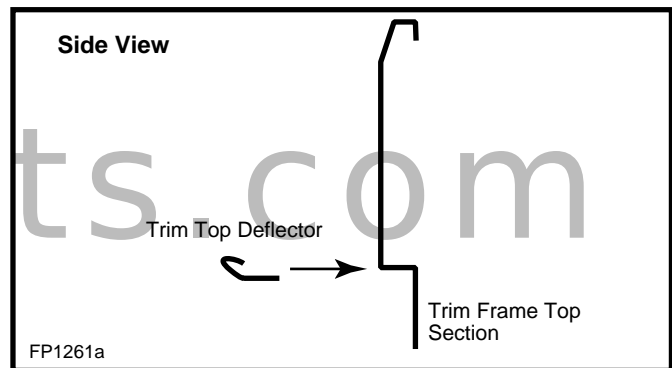


Fig. 40 Trim top deflector.

RHESD and RHESLD (Fig. 41)

1. Install trim channels (left and right sides). Use two screws to assemble each piece.
2. Peel off plastic protective covering from top edges of the inner sides where they will be covered by the inner top trim facing.
3. Place the trim facing inner top in place (do not fasten it yet). Peel off the plastic protective covering from the bottom edge.
4. Install the trim top deflector and fasten it (will hold the inner top piece). Use two screws to assemble them.
5. Install trim channels (left and right sides). Use two screws to assemble each piece.
6. Slide on the trim top channel and fasten it from the back side.
7. Remove ALL plastic protective covering from brass trim.

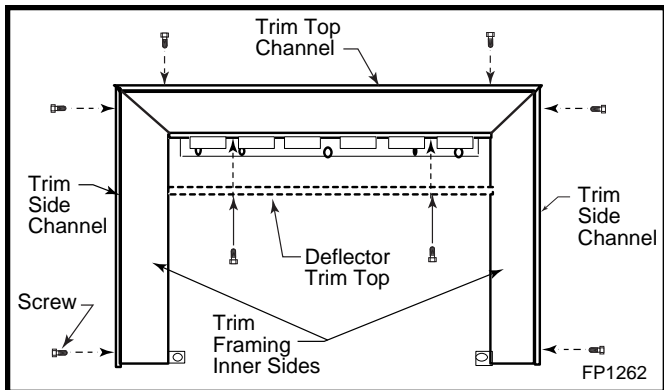


Fig. 41 RHESD and RHESLD trim assembly.

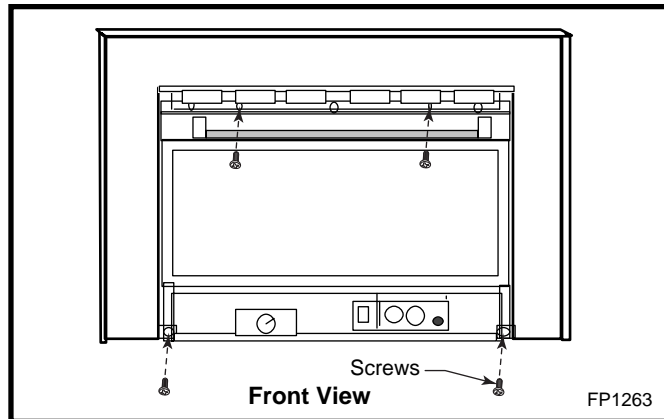


Fig. 41 Frame mounting.



A flat louvre kit OR a bay window kit need to be chosen to complete the installation.

Frame Mounting

General Information

The Decorative Front Frame should be installed last after all other work, such as gas connections, venting, etc., has been completed and thoroughly checked and tested for operation, leaks and proper installations requirements.

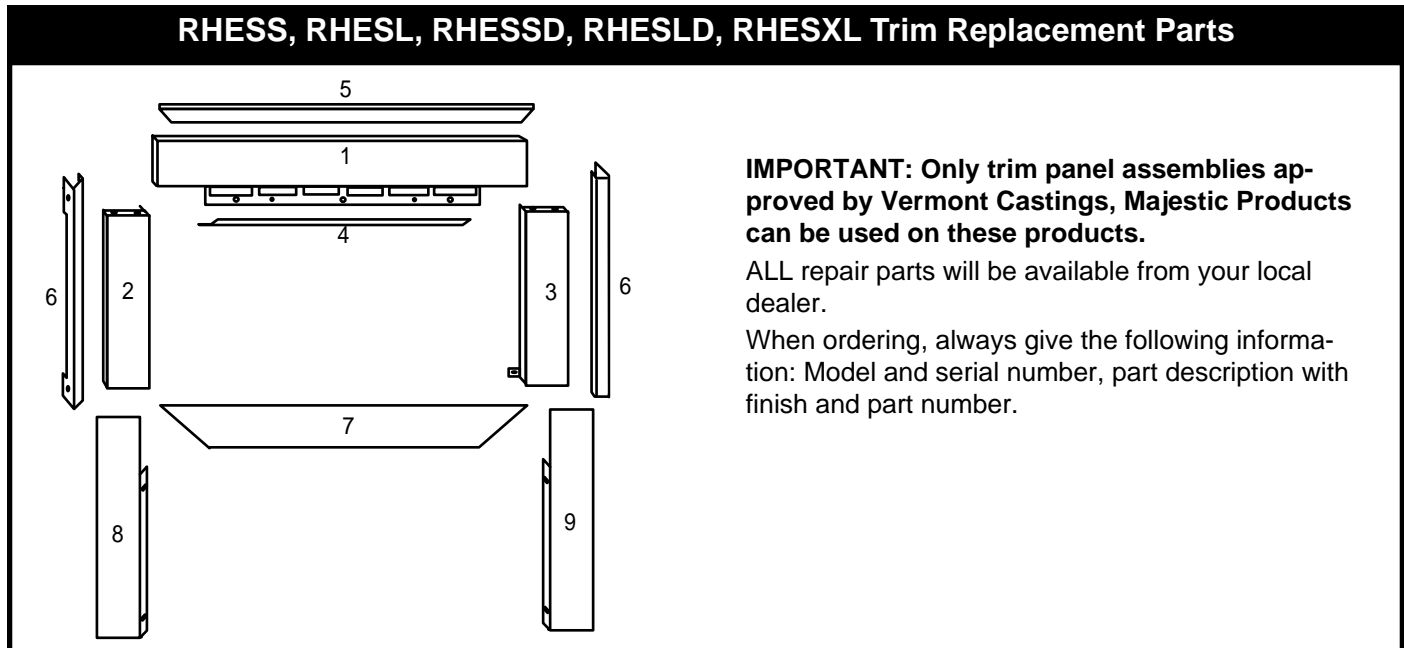
Fit decorative frame to the fireplace and fasten. (Fig. 41)



Plastic on the trim must be removed before mounting onto the fireplace.



Glass must be tightly pressed against the front of the frame in order to prevent screws from damaging glass edges.



IMPORTANT: Only trim panel assemblies approved by Vermont Castings, Majestic Products can be used on these products.

ALL repair parts will be available from your local dealer.

When ordering, always give the following information: Model and serial number, part description with finish and part number.

Vermont Castings, Majestic Products reserves the right to make changes in design, materials, specifications, prices and discontinue colors and products at any time, without notice.

Key	Description	RHES ⁽²⁾	RHESL ⁽³⁾	RHESD ⁽³⁾	RHESLD ⁽³⁾	RHESXL ⁽⁴⁾
1	Trim Frame Top, Flat Black	57929	57932	57929	57932	57935
2	Trim Frame Left, Flat Black	57927	57930	57927	57930	57933
3	Trim Frame Right, Flat Black	57928	57931	57928	57931	57934
4	Trim Top Deflector ⁽¹⁾	17634	17634	17634	17634	17634
5	Trim Top Channel ⁽¹⁾	50586	50587	17611	17612	52787
6	Trim Side Channel Left ⁽¹⁾	50589	50590	17623	17624	52788
7	Trim Facing Inner Top ⁽¹⁾	-	-	17609	17610	-
8	Trim Facing Inner Left ⁽¹⁾	-	-	17620	17619	-
9	Trim Facing Inner Right ⁽¹⁾	-	-	17622	17621	-
10	Fasteners Package (Not Shown)	55043	55043	55043	55043	55043

(1) Specify Finish (Antique or Polished Brass)

(2) SS and SSD trim dimensions are for openings smaller than 26½"H x 38" W (673mm x 965mm)

(3) SL and SLD trim dimensions are for openings smaller than 29"H x 41" W (736mm x 1040mm)

(4) SXL trim dimensions are for openings smaller than 32"H x 43" W (813mm x 1092mm)

B2 RHEBSL & RHEBXL Trims

For use with RHEDV32

Trim Assembly

RHEBSL

1. Install trim channels (left and right sides). Use two screws to assemble each piece.
2. Slide on the trim top channel and fasten it from the back side.
3. Install the trim top deflector and use two screws to fasten it. (Fig. 42)
4. Remove ALL plastic protective covering from brass trim.

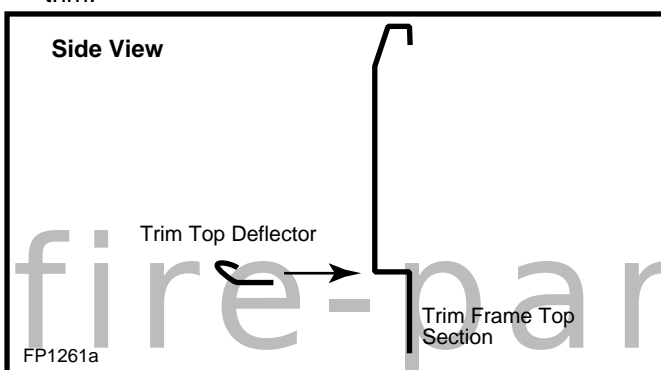


Fig. 42 Trim top deflector.

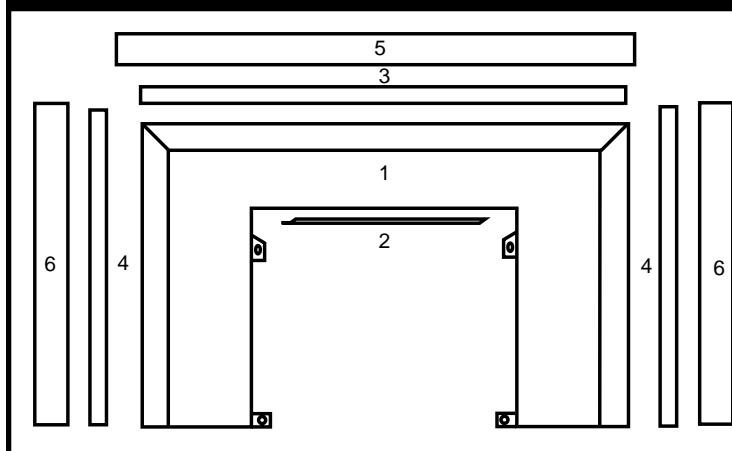
RHEBXL

To install the kit you do not have to remove any piece of brass, you just add the external pieces.

Remove the frame trim from the unit if it is already installed.

1. Install trim channels (left and right sides) by removing the two screws that hold the side brass trim and put them back to hold both parts.
2. Slide on the trim top channel and fasten it from the back side.
3. Remove the two screws that hold the top brass trim.
4. Install the two brackets to the studs in the bottom of the top channel. Use the nuts supplied with the kit.
5. Reinstall the two screws to hold the top trim channel.

RHEBSLP, RHEBSLA, RHEBXL, RHEBXL Trim Replacement Parts



IMPORTANT: Only Trim Panel Assemblies Approved by Vermont Castings, Majestic Products Can Be Used on These Products.

ALL repair parts will be available from your local dealer.

When ordering, always give the following information: Model and serial number, part description with finish and part number;

- (1) RHEBXL or RHEBXL to be used with RHEBSLP or RHEBSLA trims.
- (2) SL trim dimensions are for openings smaller than 27½"H x 40½" W (700mm x 1030mm)
- (4) XL trim dimensions are for openings smaller than 30"H x 45⅝" W (765mm x 1160mm)

Vermont Castings, Majestic Products reserves the right to make changes in design, materials, specifications, prices and discontinue colors and products at any time, without notice.

Key	Description	RHEBSLP	RHEBSLA	RHEBXL ⁽¹⁾	RHEBXL ⁽¹⁾
1	Trim Frame Flat Black	57926	57926	-	-
2	Trim Top Deflector	17634-PB	17634-AB	-	-
3	Trim Top Channel	57864	57844	-	-
4	Trim Side Channel	57862	57843	-	-
5	Trim Outer Top Channel	-	-	57861	57845
6	Trim Outer Side Channel	-	-	57863	57846
7	Fasteners Package (Not Shown)	54618	54618	57633	57633

B3 RHEFA and RHEFP Trims

For use with RHEDV32

Trim Assembly

1. Remove the front glass (see "Glass Frame Removal" section).
2. Install support window trim channel, top and bottom brass trim by using the shortest black screw. (Fig. 43 & 44)

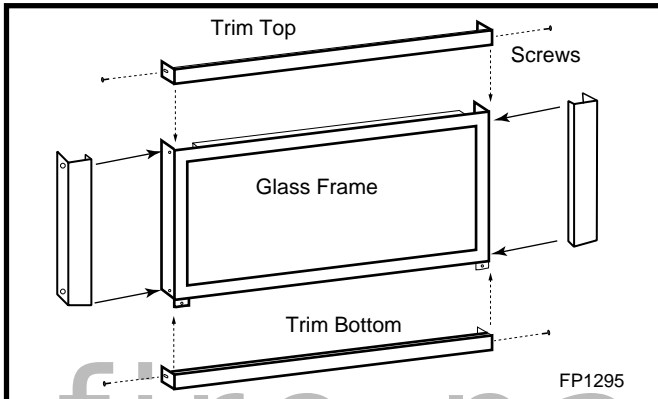


Fig. 43 Install support window trim channel and top and bottom brass trim.

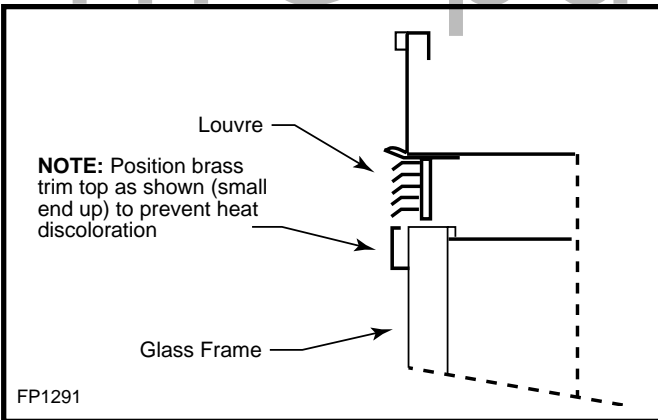


Fig. 44 Position brass trim top with small end up.

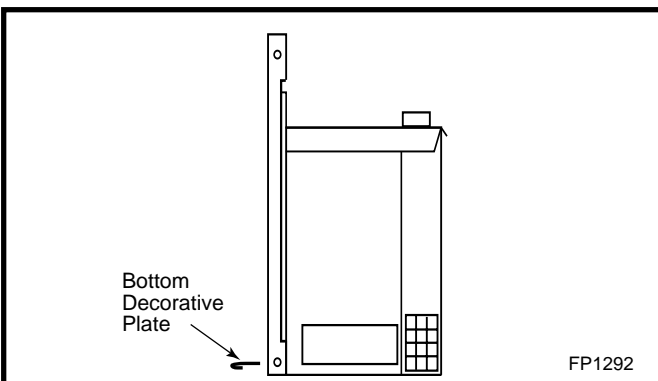
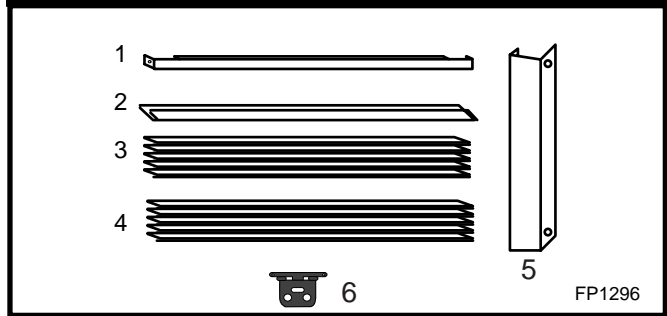


Fig. 45 Slide bottom decorative plate under unit floor.

RHEFA & RHEFP Trim Replacement Parts



Vermont Castings, Majestic Products reserves the right to make changes in design, materials, specifications, prices and discontinue colors and products at any time, without notice.

IMPORTANT: Only trim panel assemblies approved by Vermont Castings, Majestic Products can be used on these products.

ALL repair parts will be available from your local dealer.

When ordering, always give the following information: Model and serial number, part description with finish and part number.

Key	Description	RHEFA	RHEFP
1	Trim Window Top/Bottom	52624-AB	52624-PB
2	Plate Decorative Bottom	17597-AB	17597-PB
3	Top Louvre Assembly	57905	57905
4	Bottom Louvre Assembly	57906	57906
5	Support Window Trim Channel	57909	57909
6	Hinge	52356	52356
7	Fasteners Package (Not Shown)	57916	57916

B4 HEBTKP, HESBTKP, HECBTK, HECBTKMB & HEBTA Trims

For use with RHEDV32

- HECBTK Cast bay window and grilles in classic black trim kit
- HECBKMB Cast bay window and grilles in midnight black porcelain enamel trim kit
- HESBTKP Steel bay window with polished brass and cast grilles in classic black trim kit
- HEBTKP Steel bay window and bay louvres with polished brass trim kit

Install the bay window after all other installation work has been completed, thoroughly checked and tested for operation, leaks and proper installation requirements.



Do not remove existing glass with frame

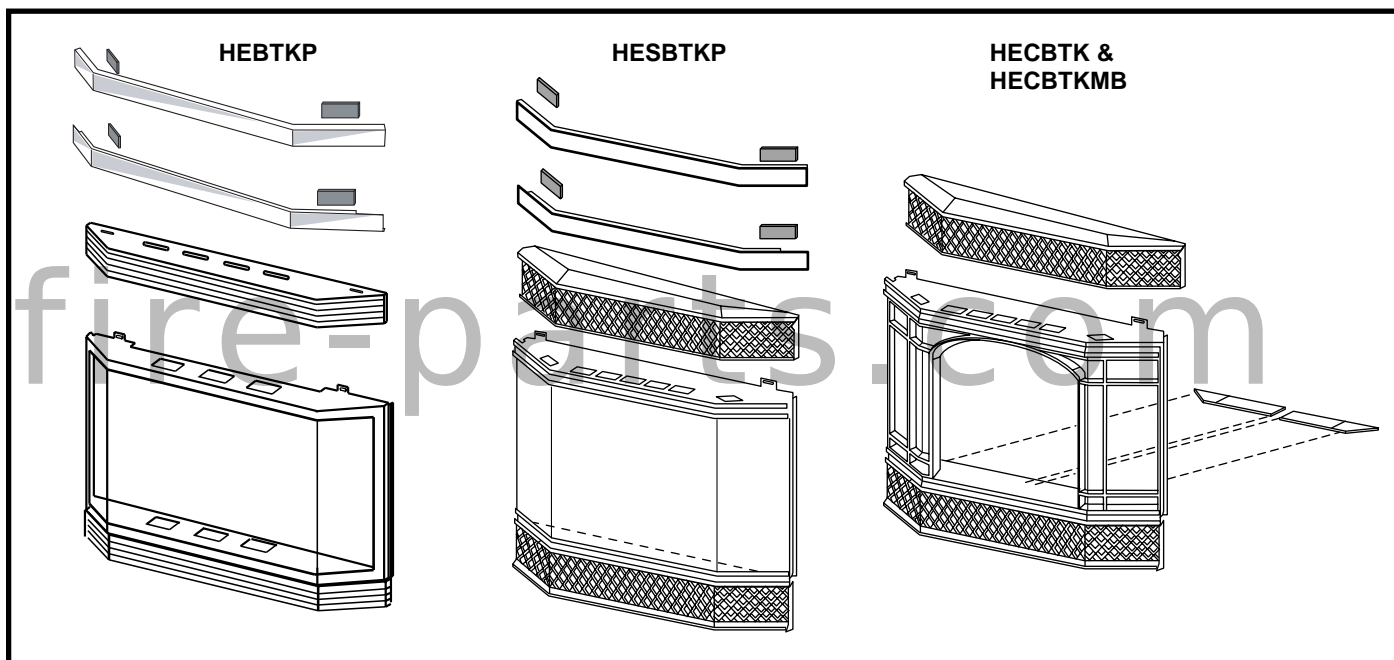


Fig. 46 Optional bay front windows available for use on the RHEDV32.

HECBTKP, HECBTKMB and HESBTKP Trim Assembly

1. Reposition controls.
 - a. Remove the Fan Speed Control Box (Fig. 47)
 - b. Attach the Fan Speed Control Box to the Bracket (Fig. 48) and install the Bracket into the Cabinet.

Only for RN/RP VALVE units:

 - c. Install the Control Knobs Extensions onto the appropriate Control Valve Knobs (Fig. 49)



On units fitted with a Honeywell brand control valve the location of the control knobs and the ignitor button may vary slightly from those shown in Figure 49. The Honeywell extension pieces are visually different in design and are not interchangeable with the RN/RP knobs shown in Figure 49.

2. Install the hanging brackets, as shown in Figure 50.
3. Install the two ceramic pieces inside the bay window, as shown in Figure 46.
4. Install the bay window by hanging it onto the lower tabs of the hanging brackets, as shown in Figure 51.
5. Install the upper grille by engaging the oblong holes with the upper tabs of the hanging brackets, as shown in Figure 52.
6. Install brass trim to the steel frame as shown in Figure 53. (Only for HESBTKP trim).

HEBTKP Trim Assembly

1. Reposition controls.
 - a. Remove the Fan Speed Control Box (Fig. 47)
 - b. Attach the Fan Speed Control Box to the Bracket (Fig. 48) and install the Bracket into the Cabinet.

Only for RN/RP VALVE units:

 - c. Install the Control Knobs Extensions onto the appropriate Control Valve Knobs. (Fig. 49)



On units fitted with a Honeywell brand control valve the location of the control knobs and the ignitor button may vary slightly from those shown in Figure 49. The Honeywell extension pieces are visually different in design and are not interchangeable with the RN/RP knobs shown in Figure 49.

2. Install the hanging brackets, as shown in Figure 50.
3. Install bracket on each side of the cabinet as shown in Figure 54.
4. Install the two ceramic pieces inside the bay window, as shown in Figure 46.
5. Install the bay window by hanging it onto the lower tabs of the hanging brackets, as shown in Figure 51.
6. Install top louvre by engaging the oblong holes with the upper tabs of the hanging brackets, as shown in Figure 52.
7. Install brass trim to the steel frame as shown in Figure 53.

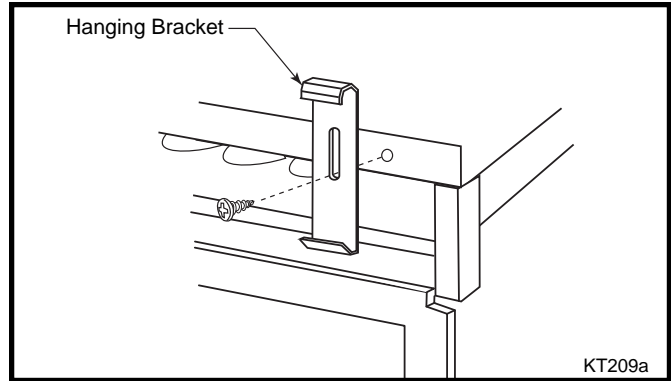


Fig. 50 Hanging bracket alignment.

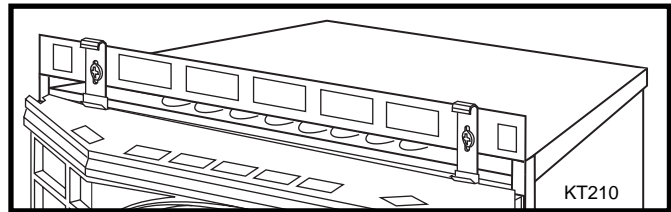


Fig. 51 Hang the window grille or the steel frame onto the lower tabs for the hanging brackets.

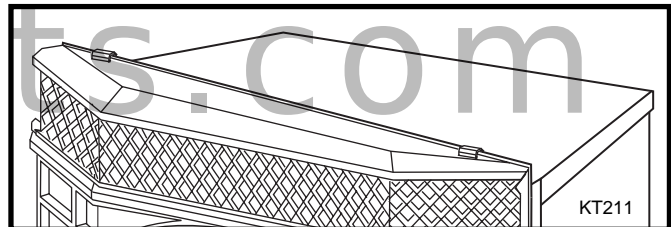


Fig. 52 Engage the slots in the upper grille top louvre with the upper tabs of the hanging bracket.

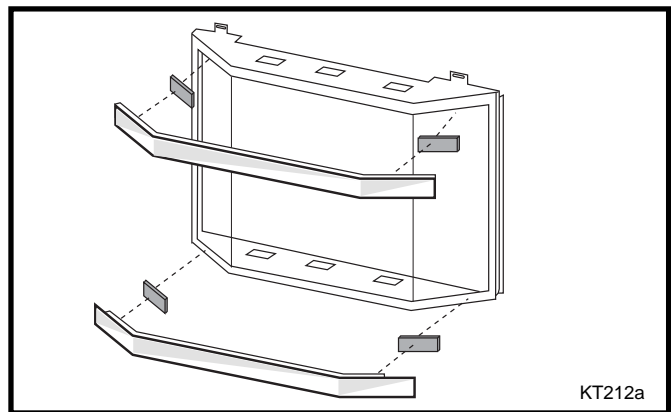


Fig. 53 Attach magnets and brass trim to the steel frame.

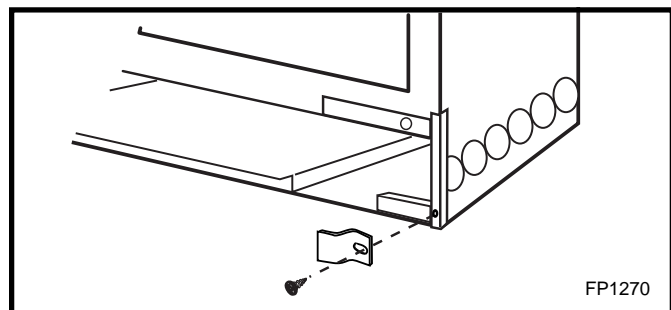


Fig. 54 Bracket for HEBTKP.

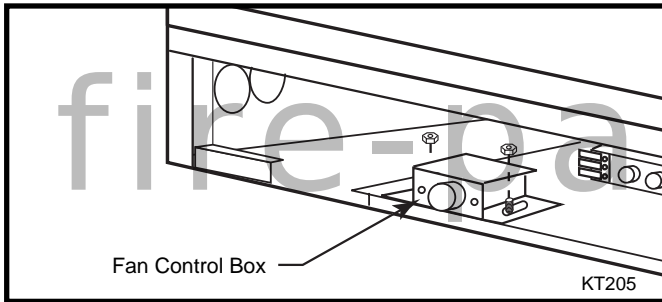


Fig. 47 Remove fan control box.

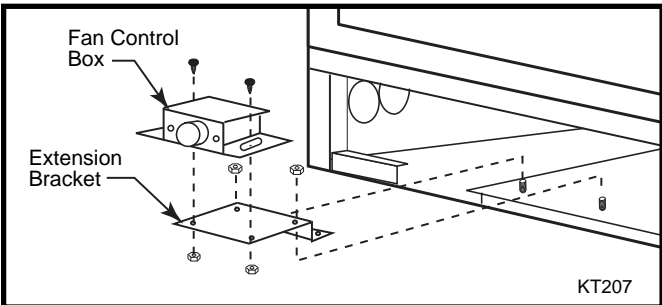


Fig. 48 Attach the control box to the bracket and install bracket into the cabinet.

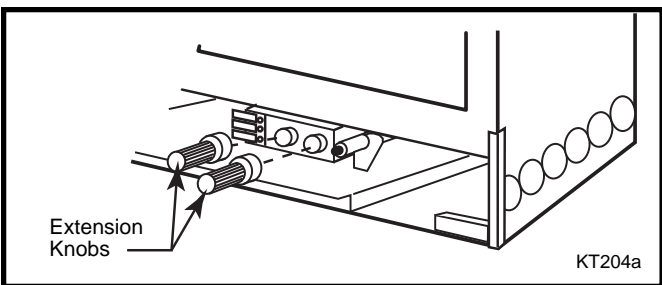
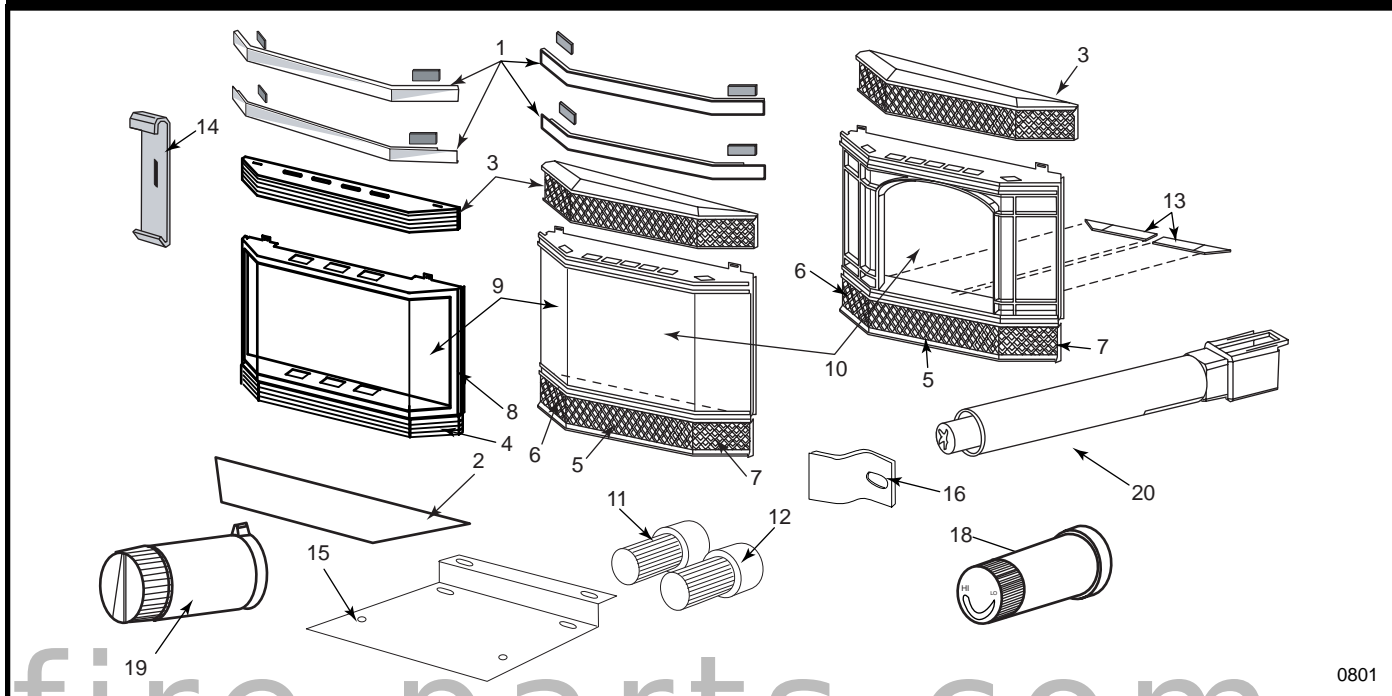


Fig. 49 Install the knob extensions. (Only for RN/RP models)

HECBTK, HECBTKMB, HESBTKP, HEBTKP, HEBTA Trim Parts Replacement



0801

Vermont Castings, Majestic Products reserves the right to make changes in design, materials, specifications, prices and discontinue colors and products at any time, without notice.

IMPORTANT: Only Trim Panel Assemblies Approved by Vermont Castings, Majestic Products Can Be Used on These Products.

ALL repair parts will be available from your local dealer.

When ordering, always give the following information: Model and serial number, part description with finish and part number;

Key	Description	HECBTK	HECBTKMB	HESBTKP	HEBTKP	HEBTA
1	Trim Window Top/Bottom w/magnets	-	-	55188-PB	55188-PB	55188-AB
2	Plate Decorative Bottom	-	-	-	52828-PB	52828-AB
3	Top Louvre (Grill) Assembly	1301199	1341199	1301199	57945	-
4	Bottom Louvre (Grill) Assembly	-	-	-	57947	-
5	Control Door	1301200	1341200	1301200	57946	-
6	Bottom Louvre Left	1301219	1341219	1301219	-	-
7	Bottom Louvre Right	1301218	1341218	1301218	-	-
8	Bay Window Frame	1301198	1341198	1409127	1409127	-
9	Glass Side	1601971	1601971	1601971	1601971	-
10	Glass Front	1601957	1601957	1601957	1601957	-
11	Extension Knob ON/OFF (RN/RP)	55163	55163	55163	55163	-
12	Extension Knob Hi/Lo (RN/RP)	55162	55162	55162	55162	-
13	Ceramic Refractory Bay (Set)	57772	57772	57772	57772	-
14	Bracket Hanging Bay Window	1409129	1409129	1409129	1409129	-
15	Bracket Extension Rheostat	1409146	1409146	1409146	1409146	-
16	Bracket Mounting Bay Window	-	-	-	57877	-
17	Hardware Pkg. (Not Shown)	10000108	10000108	10000108	10000108	-
18	Extension Knob Hi/Lo (Honeywell Valve)	20000006	20000006	20000006	20000006	-
19	Extension Knob On/Off (Honeywell Valve)	20000007	20000007	20000007	20000007	-
20	Extension Knob Piezo Ignitor (Honeywell Valve)	20001427	20001427	20001427	20001427	-
21	Hinge	-	-	-	52356	-

B5 Cast Trim Options

Cast Surround and Flat Face

HECBL	Cast Surround Black
HECBLUE	Cast Surround Blue
HECCG	Cast Surround Charcoal Grey
HECGR	Cast Surround Green
CSSP	Polished Brass Small Trim for Cast Surround
CSLP	Polished Brass Large Trim for Cast Surround (to be used with CSSP)

B6 Freestanding Kits

Convert Insert Into A Freestanding Stove

- NOTE:** 1. Requires Bay Window Face Kit
 2. Vent starter kit FSHEDVSK must be installed to use any of the freestanding shells.

FSNVCSKB	Classic Black Freestanding Cast Shell
FSNVCSKM	Midnight Black Enamel Freestanding Cast Shell
FSNVCSKG	Green Enamel Freestanding Cast Shell

B7 Riser Kits

1. Install the unit according to Homeowner's Manual.
2. Install the trim according to Installation Instructions.
3. Remove the two (2) screws at the bottom of the trim.
4. Install the riser at the bottom of the trim. (Fig. 55)
5. Fasten the trim with the same two (2) screws removed on step 3.

NOTE: The riser kit should only be used with the RHEBSL & RHEBXL trim.

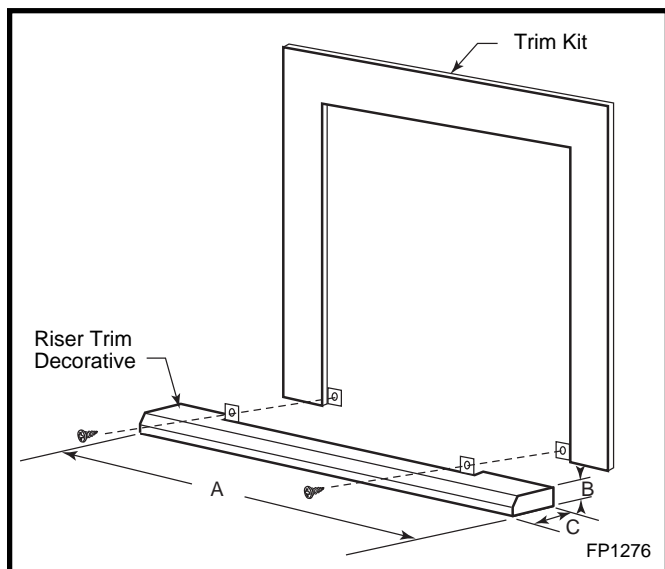


Fig. 55 RHEBSL, RHEBXL trim kit.

Riser Trim Dimensions

	Length A	Height B	Depth C
RHER1-Riser 1"	42" (1067mm)	1" (25.6mm)	2.55" (64.8mm)
RHER2-Riser 2"	42" (1067mm)	2" (50.9mm)	2.58" (65.6mm)
RHER5-Riser 5"	42" (1067mm)	5" (127.9mm)	2.58" (65.6mm)

B8 Arch Door Kits

HEADKA	Antique Brass Arch Door
HEADKP	Polished Brass Arch Door

C Trim Options for RHEDV42

C1 RHE42SSP and RHE42LP Trims

For use with RHEDV42

RHE42SSP	Small surround, black with thin polished brass edge
RHE42LP	Large polished brass edge (to be used with RHE42SSP)

Trim Assembly

RHE42SSP

1. Install trim channels (left and right sides). Use two screws to assemble each piece.
2. Slide on the trim top channel and fasten it from the back side.
3. Install the trim top deflector and use two screws to fasten it. (Fig. 56)
4. Remove ALL plastic protective covering from brass trim.

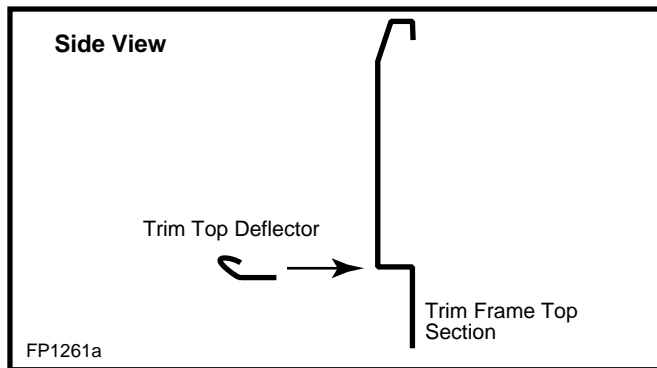


Fig. 56 Trim top deflector.

RHE42LP

To install the kit you do not have to remove any piece of brass, you just add the external pieces.

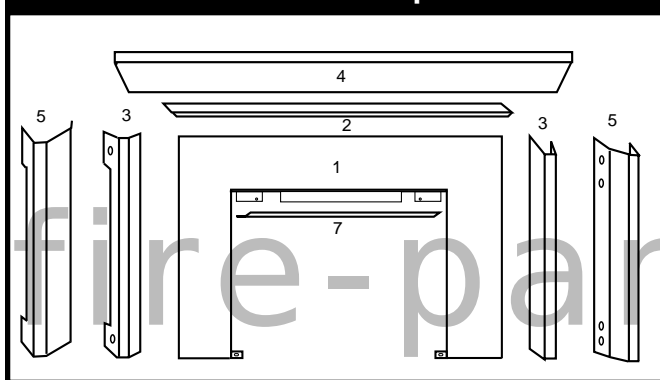
Remove the frame trim from the unit if it is already installed.

1. Install trim channels (left and right sides) by removing the two screws that hold the side brass trim and put them back to hold both parts.
2. Slide on the trim top channel and fasten it from the back side.
3. Remove the two screws that hold the top brass trim.
4. Install the two brackets to the studs in the bottom of the top channel. Use the nuts supplied with the kit.
5. Reinstall the two screws to hold the top trim channel.



A flat louvre kit OR a bay window kit need to be chosen to complete the installation.

RHE42SSP & RHE42LP Replacement Parts



Vermont Castings, Majestic Products reserves the right to make changes in design, materials, specifications, prices and discontinue colors and products at any time, without notice.

IMPORTANT: Only Trim Panel Assemblies Approved by Vermont Castings, Majestic Products Can Be Used on These Products.

ALL repair parts will be available from your local dealer.

When ordering, always give the following information: Model and serial number, part description with finish and part number;

Key	Description	RHE42SSP	RHE42LP ⁽¹⁾
1	Frame Trim Kit (Metallic Black)	10000931	-
2	Trim Top Channel	57508	-
3	Trim Side Channel	57509	-
4	Trim Top Channel	-	57511
5	Trim Side Channel	-	57507
6	Fasteners Package (Not Shown)	54618	-
7	Trim Top Deflector	10000912	-

(1) LP trim to be used with SSP trim.

SSP trim dimensions are for openings smaller than 30³/₄" H x 42⁷/₈"W (781mm x 1089mm)

LP trim dimensions are for openings smaller than 33³/₁₆"H x 48"W (846mm x 1225mm)

C2 RHE42FP Trim

For use with RHEDV42

RHE42FP Flat face louvres with polished window brass trim

Trim Assembly

1. Remove the front glass (see "Glass Frame Removal" section).
2. Install top and bottom brass trim (Fig. 57 & Fig. 58) Use the shortest black screw.
4. Install bottom decorative plate by simply sliding it under the unit. No fastening is required for this installation. (Fig. 59) Be sure to remove the protective plastic cover from the trim.
5. Install the bottom louvre assembly by fastening the hinges with four screws to the pre-punched holes in the cabinet.
6. Re-install the front glass.
7. Install the top louvre assembly by using the hooks to hang it in place.

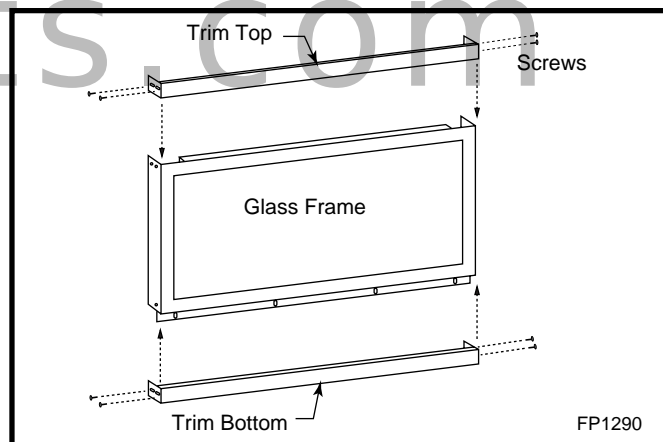


Fig. 57 Install top and bottom brass trim.

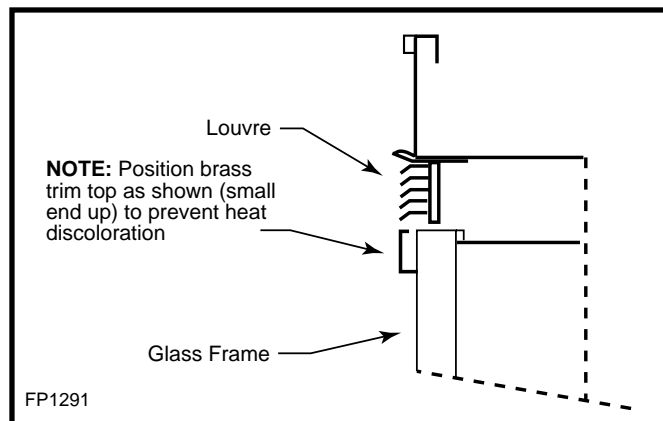


Fig. 58 Position brass trim top with small end up.

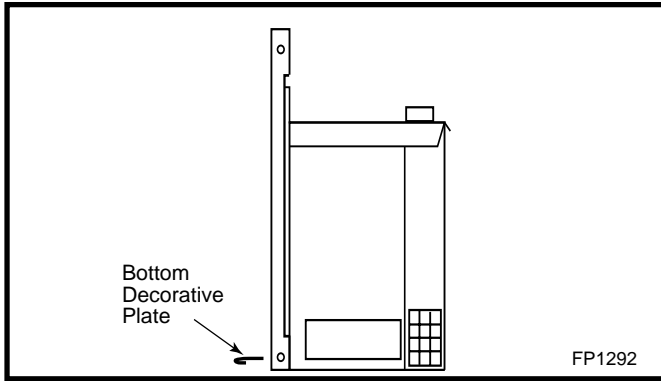
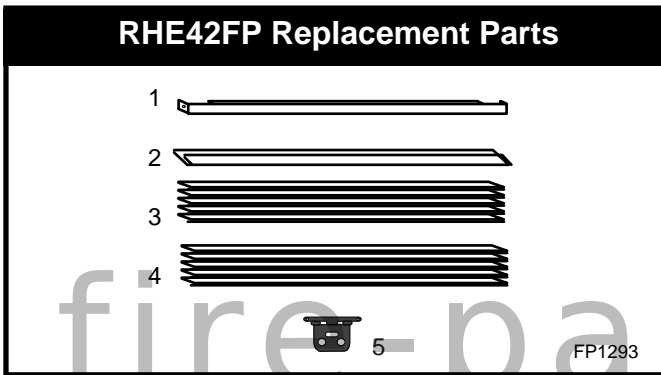


Fig. 59 Slide bottom decorative plate under unit floor.



Vermont Castings, Majestic Products reserves the right to make changes in design, materials, specifications, prices and discontinue colors and products at any time, without notice.

IMPORTANT: Only trim panel assemblies approved by Vermont Castings, Majestic Products can be used on these products.

ALL repair parts will be available from your local dealer.

When ordering, always give the following information: Model and serial number, part description with finish and part number.

Key	Description	RHE42FP
1	Trim Window Top/Bottom	10000880
2	Plate Decorative Bottom	10000915
3	Top Louvre Assembly (Metallic Black)	10000929
4	Bottom Louvre Assembly (Metallic Black)	10000930
5	Hinge	52356
6	Hardware Package (Not Shown)	57916

C3 RHE42BTKP

For use with RHEDV42

RHE42BTKP Bay window with polished brass trim



Do not remove existing glass with frame.

Trim Assembly

1. Reposition controls.
 - a. Remove the Fan Speed Control Box (Fig. 60)
 - b. Attach the Fan Speed Control Box to the Bracket (Fig. 61) and install the Bracket into the Cabinet.
- Only for RN/RP VALVE units:**
- c. Install the Control Knobs Extensions onto the appropriate Control Valve Knobs (Fig. 62)



On units fitted with a Honeywell brand control valve the location of the control knobs and the ignitor button may vary slightly from those shown in Figure 62. The Honeywell extension pieces are visually different in design and are not interchangeable with the RN/RP knobs shown in Figure 62.

2. Install the hanging brackets, as shown in Figure 63.
3. Install the two ceramic pieces inside the bay window.
4. Install the bay window by hanging it onto the lower tabs of the hanging brackets, as shown in Figure 64.
5. Install top louvre by engaging the oblong holes with the upper tabs of the hanging brackets, as shown in Figure 65.
6. Install brass trim to the steel frame as shown in Figure 66.

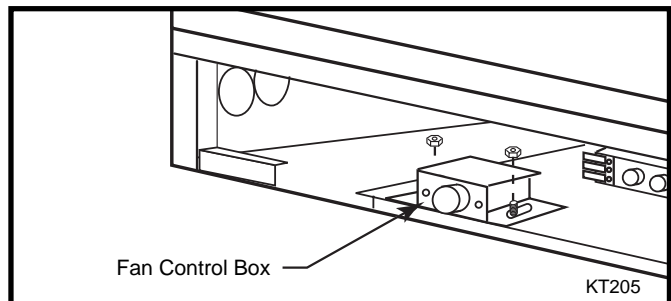


Fig. 60 Remove fan control box.

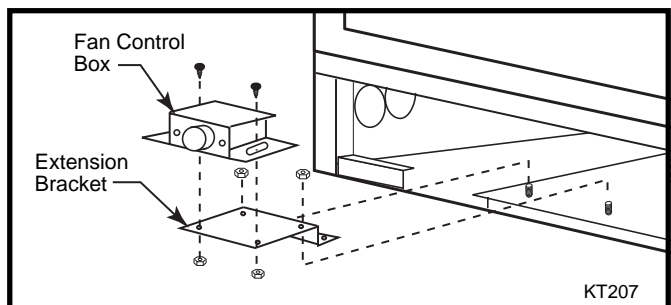


Fig. 61 Attach the control box to the bracket and install bracket into the cabinet.

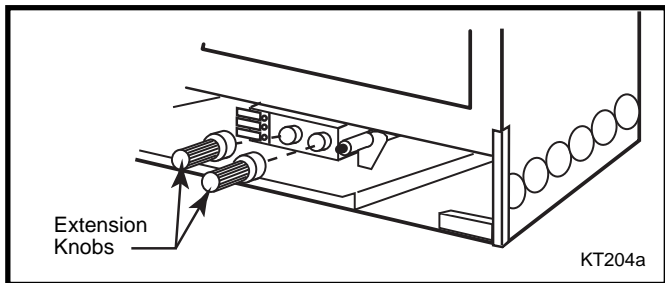


Fig. 62 Install the knob extensions. (Only for RN/RP models)

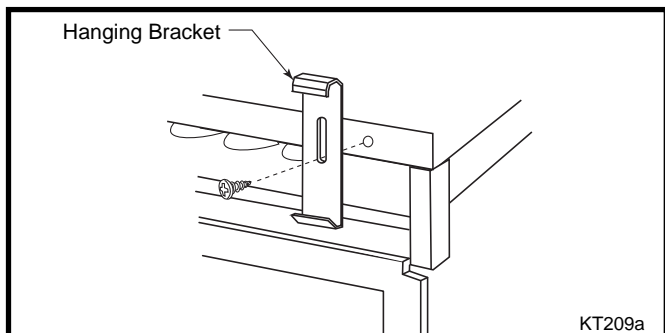


Fig. 63 Hanging bracket alignment.

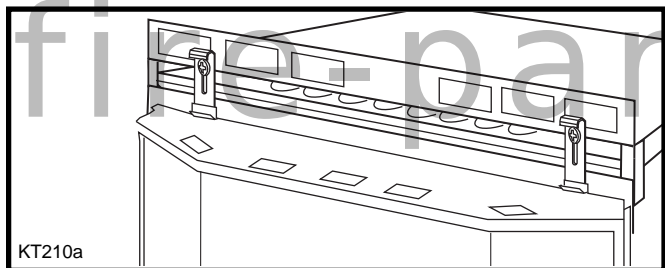


Fig. 64 Hang the window grille or the steel frame onto the lower tabs of the hanging brackets.

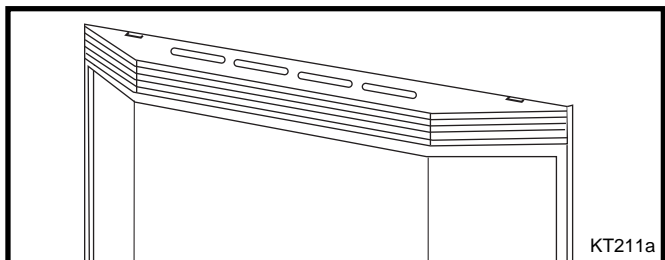


Fig. 65 Engage the slots in the upper grille top louvre with the upper tabs of the hanging brackets.

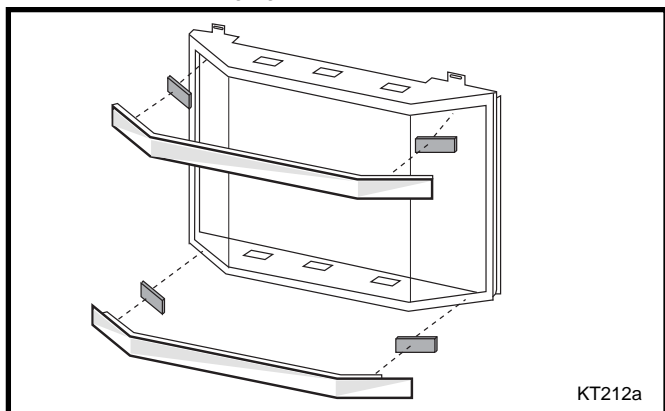
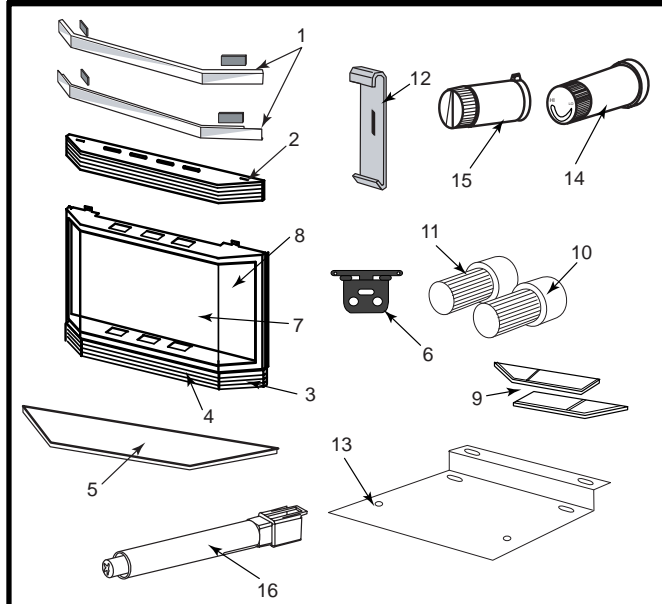


Fig. 66 Attach magnets and brass trim to the steel frame.

HE42BTKP Trim Replacement Parts



Vermont Castings, Majestic Products reserves the right to make changes in design, materials, specifications, prices and discontinue colors and products at any time, without notice.

IMPORTANT: Only trim panel assemblies approved by Vermont Castings, Majestic Products can be used on these products.

ALL repair parts will be available from your local dealer.

When ordering, always give the following information:
Model and serial number, part description with finish and part number.

Key	Description	HE42BTKP
1	Trim Window Top & Bottom (w/magnets)	57576
2	Top Louvre Assembly (Metallic Black)	10000932
3	Bottom Louvre Assembly (Metallic Black)	10000933
4	Control Door (Metallic Black)	10000934
5	Plate Decorative Bottom	57551
6	Hinge	52356
7	Glass Side	57405
8	Glass Front	57406
9	Ceramic Refractory Bay	10000854
10	Extension Knob On/Off (only for RN/RP valves)	55163
11	Extension Knob Hi/Lo (only for RN/RP valves)	55162
12	Bracket Hanging Bay Window	1409129
13	Bracket Extension Rheostat	1409146
14	Extension Knob Hi/Lo (Honeywell Valve)	20000006
15	Extension Knob On/Off (Honeywell Valve)	20000007
16	Extension Knob Piezo Ignitor (Honeywell Valve)	20001427
17	Hardware Package (Not Shown)	10000928

LIMITED LIFETIME WARRANTY

PRODUCT COVERED BY THIS WARRANTY

All Vermont Castings gas stoves, gas inserts, and gas fireplaces, and all Majestic or Northern Flame brand gas fireplaces equipped with an Insta-Flame Ceramic Burner, or standard steel tube burner.

BASIC WARRANTY

The Vermont Castings, Majestic Products Company (hereinafter referred to collectively as the Company) warrants that your new Vermont Castings or Majestic Gas Fireplace/Stove is free from manufacturing and material defects for a period of one year from the date of purchase, subject to the following conditions and limitations.

EXTENDED LIFETIME WARRANTY

The heat exchanger, where applicable, and combustion chamber of every Vermont Castings or Majestic gas product is warranted for life against through wall perforation. All appliances equipped with an Insta-Flame Ceramic Burner have limited lifetime coverage on the ceramic burner plaque. Warrantees are made to the original owner subject to proof of purchase and the conditions and limitations listed on this Warranty Document

COMPONENT WARRANTY

CAST IRON: All external and internal cast iron parts are warranted for a period of three years.

Note: On porcelain enamel finished external parts and accessories The Company offers no Warranty on chipping of enamel surfaces. Inspect all product prior to accepting it for any damage to the enamel.

The salt air environment of coastal areas or a high humidity environment can be corrosive to the porcelain enamel finish. These conditions can cause rusting of the cast iron beneath the porcelain enamel finish, which will cause the finish to flake off.

Dye lot variations with replacement parts and/or accessories can occur and are not covered by warranty.

GLASS DOORS: Glass doors are covered for a period of one year.

Glass doors are not warranted for breakage due to misuse or accident. Glass doors are not covered for discoloration or burned in stains due to environmental issues, or improper cleaning and maintenance.

BRASS PLATED PARTS AND ACCESSORIES: Brass parts should be cleaned with Lemon oil only. Brass cleaners cannot be used. Mortar mix and masonry cleaners may corrode the brass finish. The Company will not be responsible for, nor will it warrant any brass parts which are damaged by external chemicals or down draft conditions.

GAS VALVES: Gas valves are covered for a period of one year

ELECTRONIC AND MECHANICAL COMPONENTS: Electronic and mechanical components of the burner assembly are covered for one year. All steel tube burners are warranted for one year.

ACCESSORIES: Unless otherwise noted all components and Vermont Castings, Majestic Products company supplied accessories are covered for a period of one year.

CONDITIONS AND LIMITATIONS

- This new Vermont Castings or Majestic product must be installed by a competent, authorized, service contractor. A licensed technician, as prescribed by the local jurisdiction must perform any installation/service work. It must be installed and operated at all times in accordance with the Installation and Operating instructions furnished with the product. Any alteration, willful abuse, accident, or misuse of the product shall nullify this warranty.
- This warranty is non-transferable, and is made to the original owner, provided that the purchase was made through an authorized supplier of the Company.
- The customer must pay for any Authorized Dealer in-home travel fees or service charges for in-home repair work. It is the dealers option whether the repair work will be done in the customer's home or in the dealer's shop.
- If upon inspection, the damage is found to be the fault of the manufacturer, repairs will be authorized at no charge to the customer parts and/or labor.

- Any part and/or component replaced under the provisions of this warranty is covered for six months or the remainder of the original warranty, whichever is longest.
- This warranty is limited to the repair of or replacement of part(s) found to be defective in material or workmanship, provided that such part(s) have been subjected to normal conditions of use and service, after said defect is confirmed by the Company's inspection.
- The company may, at its discretion, fully discharge all obligations with respect to this warranty by refunding the wholesale price of the defective part(s)
- Any installation, labor, construction, transportation, or other related costs/expenses arising from defective part(s), repair, replacement, or otherwise of same, will not be covered by this warranty, nor shall the Company assume responsibility for same. Further, the Company will not be responsible for any incidental, indirect, or consequential damages except as provided by law.
- *SOME STATES DO NOT ALLOW FOR THE EXCLUSION OR LIMITATIONS OF INCIDENTAL AND CONSEQUENTIAL DAMAGES OR LIMITATIONS ON HOW LONG AN IMPLIED WARRANTY LASTS, SO THE ABOVE LIMITATIONS MAY NOT APPLY TO YOUR CIRCUMSTANCES. THIS WARRANTY GIVES YOU SPECIFIC RIGHTS AND YOU MAY HAVE OTHER RIGHTS WHICH VARY FROM STATE TO STATE.*
- All other warranties-expressed or implied-with respect to the product, its components and accessories, or any obligations/liabilities on the part of the Company are hereby expressly excluded.
- The Company neither assumes, nor authorizes any third party to assume on its behalf, any other liabilities with respect to the sale of this Vermont Castings, Majestic product
- The warranties as outlined within this document do not apply to chimney components or other non Vermont Castings, Majestic accessories used in conjunction with the installation of this product..
- Damage to the unit while in transit is not covered by this warranty but is subject to claim against the common carrier. Contact the dealer from whom you purchased your fireplace/stove (do not operate the appliance as this might negate the ability to process the claim with the carrier).
- The Company will not be responsible for:
 - a) Down drafts or spillage caused by environmental conditions such as near-by trees, buildings, roof tops, hills, or mountains.
 - b) Inadequate ventilation or negative air pressure caused by mechanical systems such as furnaces, fans, clothes dryers, etc.
- This warranty is void if:
 - a) The fireplace has been operated in atmospheres contaminated by chlorine, fluorine, or other damaging chemicals.
 - b) The fireplace has been subjected to prolonged periods of dampness or condensation
 - c) Any damages to the fireplace, combustion chamber, heat exchanger or other components due to water, or weather damage, which is the result of but not limited to, improper chimney/venting installation.
 - d) Any alteration, willful abuse, accident, or misuse of the product has occurred.

IF WARRANTY SERVICE IS NEEDED...

- 1) Contact your supplier. Make sure you have your warranty, your sales receipt, and the model/serial number of your Vermont Castings, Majestic product.
- 2) DO NOT ATTEMPT TO DO ANY SERVICE WORK YOURSELF.