

## GFK4B Replacement Blower Kit Installation Instructions | MC1922



### RISK OF FIRE AND ELECTRIC SHOCK!

Before installing the blower, turn off both the gas supply and electrical power. Ensure that any excess cord is secured and kept away from hot surfaces or moving parts.

Before installing the blower kit, ensure that the bottom area in your fireplace is free of drywall dust or debris. Cleaning this area is important, as these conditions can damage the bearings or motor.

This blower kit has been tested and is safe for use when installed according to the provided instructions. Be sure to read all instructions carefully and refer to the Owner's Installation Manual for your specific model of fireplace for additional information. The blower operates on a 120V/60Hz power supply.

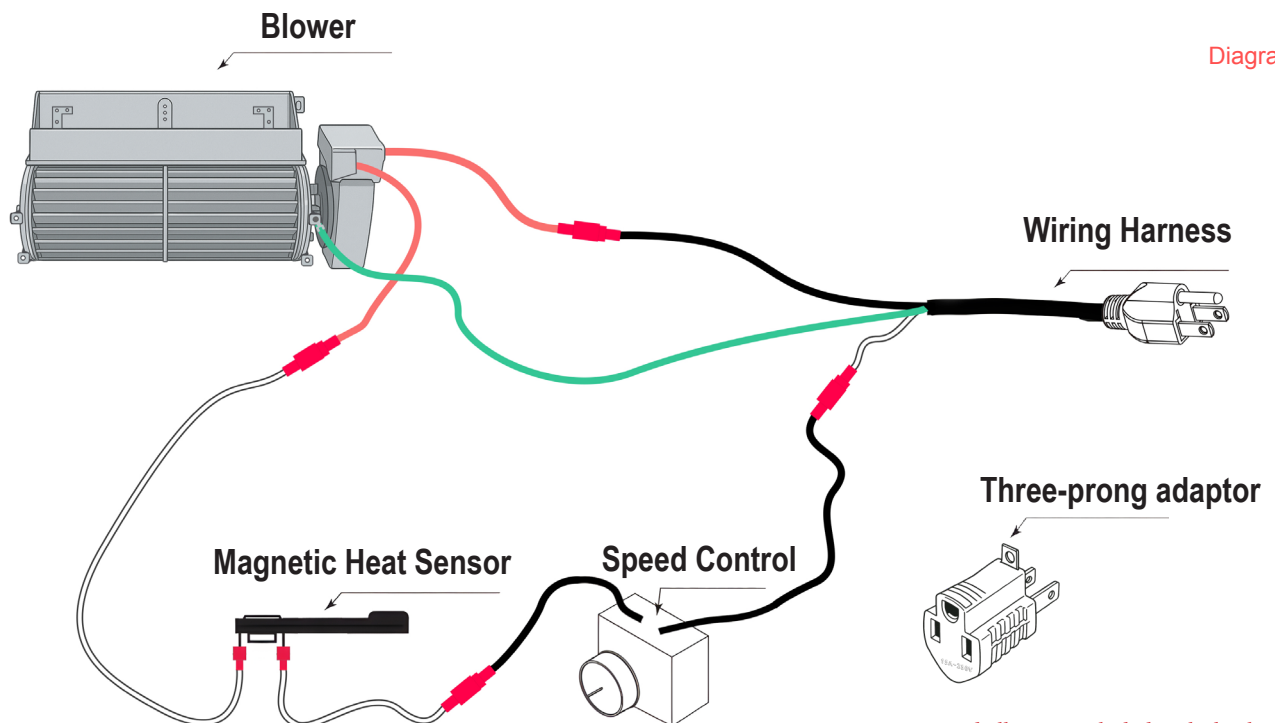
### Installation

#### Check the contents of the carton.

Make sure nothing was damaged in the shipment.

#### DO NOT install a damaged blower kit!

1. Turn Off the gas to Fireplace and allow it to cool down.
2. Disconnect from 120V Power. Shut off the Gas supply.
3. Remove the louver which covers the lower vent space below the firebox.
4. Plug Power Cord into "Live" Outlet. Test Blower operation by placing flame to Silver Disc of Heat Sensor for 10 seconds. Verify Speed Control in "ON" Position.



Note: You may not need all parts included with this kit.

### Install the Air Deflector

If the fan is being installed on a B-vent appliance, the fan shield provided with the appliance must also be installed.

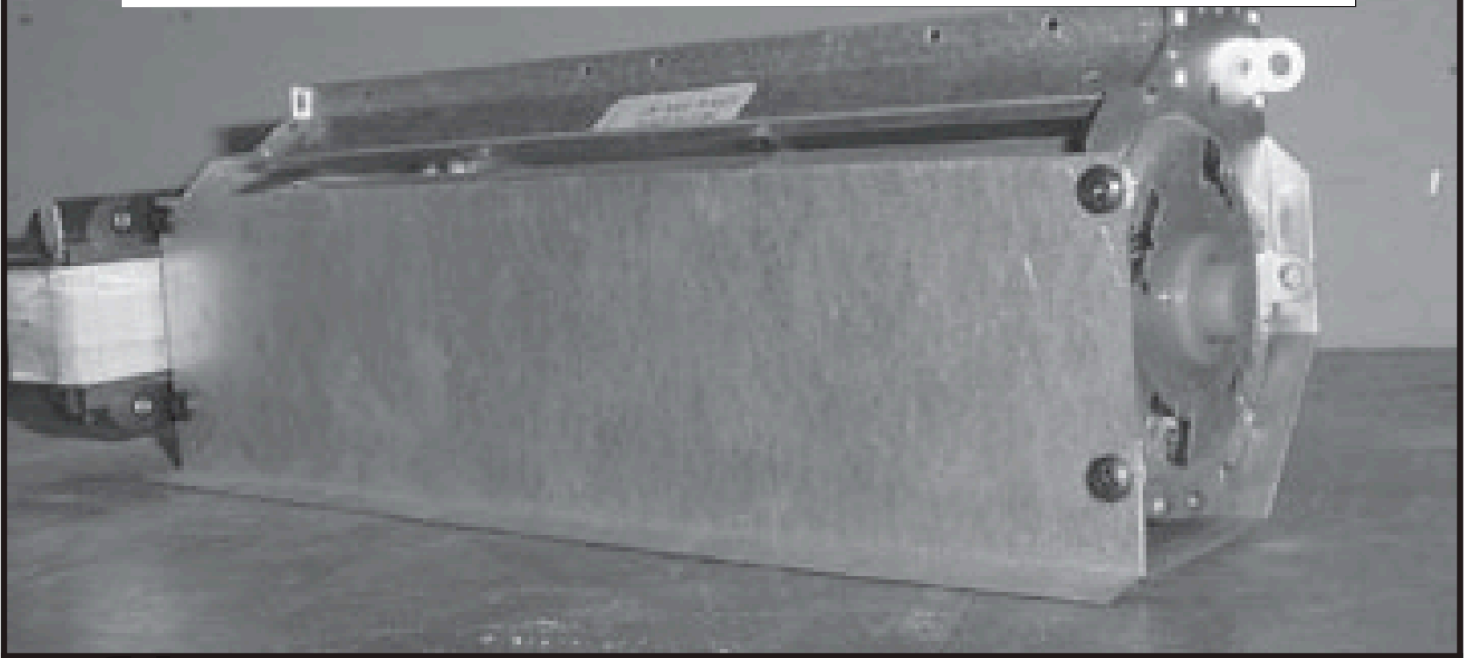


Diagram: 2

### Step 2: Prepare and Install the Blower

- Underneath the firebox, clean the surface where the fan will be mounted. This ensures the Velcro strips will adhere properly.
- Plan a clear path for sliding the blower into position at the back of the firebox.
- Hold the blower assembly with the fan blades facing upward and the motor positioned furthest away from the fireplace.
- Carefully slide the blower assembly through the lower vent opening. As it reaches the back of the firebox, align the blower parallel to the rear wall.
- Rotate the blower so that the rectangular air outlet port is facing upward.
- Slide the blower into the desired position, ensuring it rests on the fireplace floor and the rear of the fireplace



Gas Valve

Diagram: 3

Blower

### Step 3: Install the Fan

Position the fan all the way to the rear and center in the appliance. Press the fan (magnets to the bottom) to the back of the appliance. Plug the fan cord into the fan receptacle labeled "FAN" on the junction box.



#### Important:

The blower will not operate until both of the following conditions are met

- The thermodisc (heat sensor) reaches approximately 120°F, and
- The variable speed control is turned to the ON position.

Make sure the thermodisc is properly placed against a hot spot on the underside of the firebox to ensure correct operation.

### Step 4: Install the Magnetic heat sensor

- Attach the magnetic thermodisc to the warmest area on the underside of the firebox.
- You may need to adjust the thermodisc position to find the hottest spot.
- The thermodisc will automatically activate the blower once it detects a temperature of 120°F, and will turn the blower off after the firebox cools below 90°F.

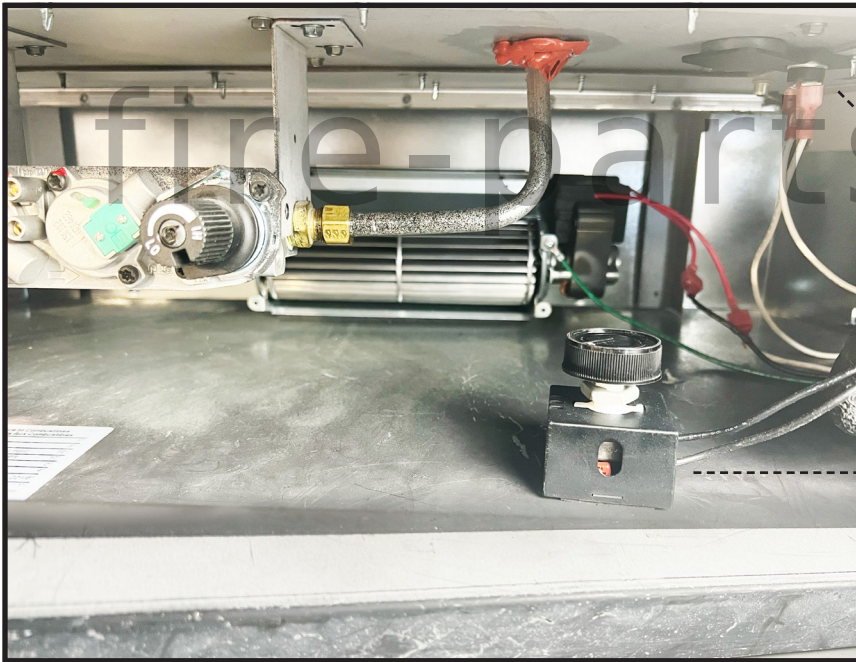


Diagram: 4

Magnetic Heat Sensor

Speed contoler

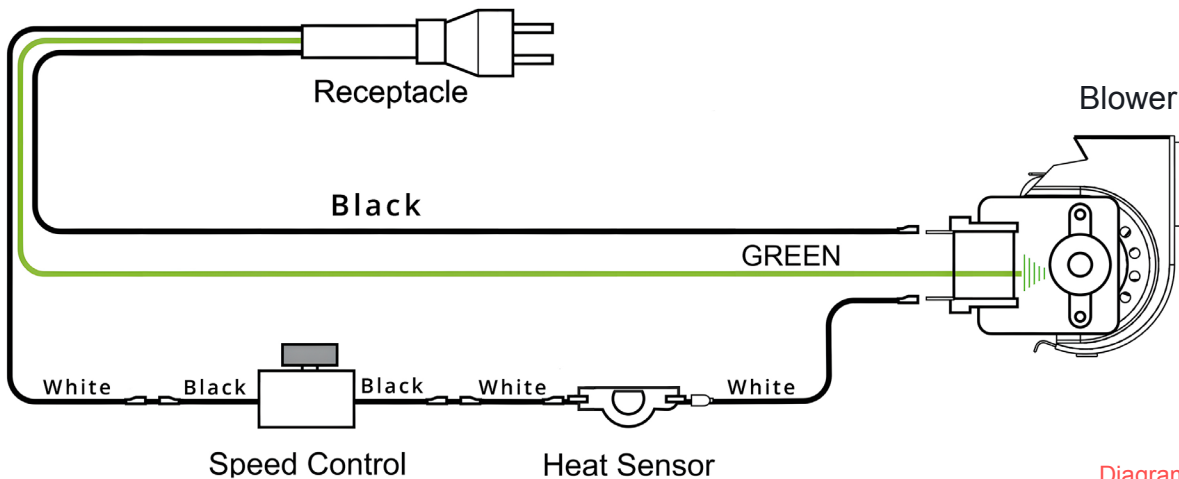


Diagram: 5

#### Step 4: Mounting the Variable Speed Control

The Variable Speed Control can be installed either on the right side of the lower vent space or in the center area on the front of the control panel.

Before installation, wipe down the mounting area to ensure it is clean and free of dust. Peel off the protective backing from the Velcro attached to the Variable Speed Control and press it firmly onto the desired location.

#### Finding the Ideal Mounting Location

It may be helpful to operate the blower a few times before finalizing the mounting spot. This allows you to determine the most convenient and accessible location for the control.

#### Blower Activation Requirements

The Variable Speed Control must be switched to the ON position for the blower to operate

**Note:** The blower will only turn on once the Thermodisc reaches approximately 120°F and the Variable Speed Control is turned ON.

To adjust the minimum speed, turn the dial clockwise to lower the low-end speed, or counter-clockwise to raise the low-end speed.

Turn the dial to counterclockwise to increase speed until it clicks off, turn right to reduce speed.

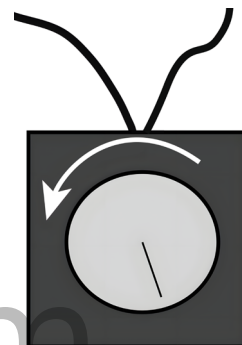
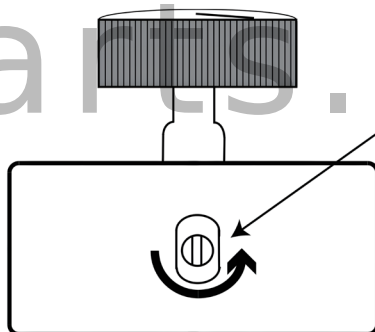


Diagram: 6



SMALL DIAL

Diagram: 7

**Check the style of your Junction Box and follow the appropriate instructions below:**

**Power Strip Style:**

Insert the black jumper wire into the two small ports located in the lower left corner of the Junction Box, just below the area labeled "FAN." One port is positioned above the other.

Plug the blower into the outlet labeled "FAN" on the Junction Box.

**Metal Style:**

Ensure the two wires coming from the Junction Box are properly connected. Push the disconnect terminals together—one plastic insulator should slide into the other.

Use a 3-prong to 2-prong plug adapter, then plug the blower into the receptacle marked "FAN".

**Newer (IFT) Style:**

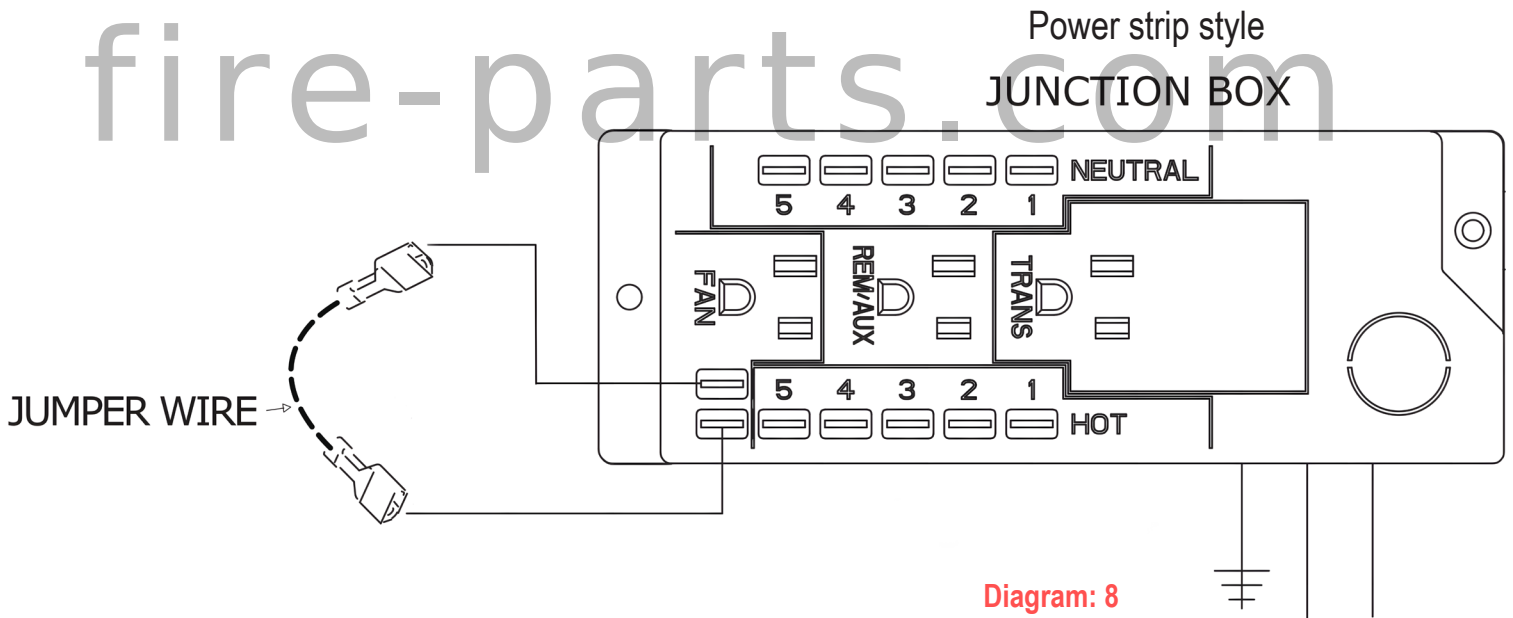
The black jumper wire is not required.

Simply insert the blower plug into the receptacle on the Junction Box.

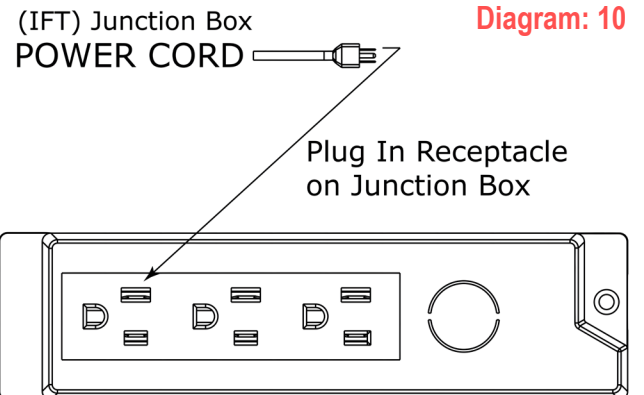
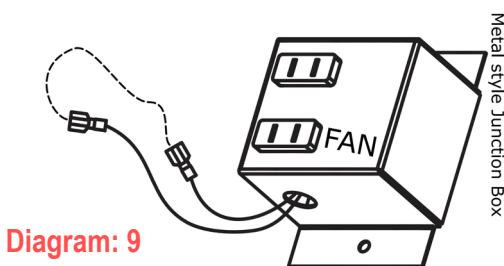
**Finishing Steps:**

If the gas supply was turned off, turn it back on.

If the 120-volt power supply was turned off, restore power by turning it back on.



**Metal style junction box**



## Step 5: Connect Power

- Plug the 3-prong power cord into the junction box.

### Note:

Motor City Blowers manufactures aftermarket fireplace blower kits. Always consult your fireplace's Owner's Installation Manual for model-specific instructions during installation or replacement. Motor City Blowers is not responsible for any damage resulting from installation based on this document.

Installations in Canada must comply with the current CAN/CGAB-419.1 and .Z Gas Installation Code, as well as all applicable local regulations. The blower fan kit must be electrically grounded in accordance with CSA C22.1, Canadian Electrical Code Part 1, and/or local codes.

Installations in the United States must adhere to local codes, or in the absence of local codes, to the National Fuel Gas Code ANSI Z223.1-1988. The blower fan kit must be electrically grounded in accordance with local regulations or, if none are available, with the National Electrical Code, ANSI/NFPA 70-1987.

## Final Steps

- If the appliance is connected to a gas supply, turn the gas back on.
- If the appliance is connected to a 120V power source, restore power.
- Refer to Figure 6 for the wiring diagram of the blower kit.

fire-parts.com