

INSTALLER: THESE INSTRUCTIONS MUST BE CONVEYED TO AND REMAIN WITH THE HOMEOWNER.

CERTIFIED UNDER CANADIAN AND AMERICAN NATIONAL STANDARDS, CSA 2.22, AND ANSI Z21.50 RESPECTIVELY FOR VENTED GAS FIREPLACE.



FIREPLACES

GAS - DIRECT VENT MILLIVOLT SYSTEM

INSTALLATION AND OPERATION INSTRUCTIONS FOR
VENTED GAS FIREPLACE

NATURAL GAS MODEL **GD15 - N**

PROPANE GAS MODEL **GD15 - P**

CERTIFIED FOR CANADA AND UNITED STATES USING ANSI / AGA / CGA METHODS

WARNING: If the information in these instructions is not followed exactly, a fire or explosion may result causing property damage, personal injury or death.

FOR YOUR SAFETY

Do not store or use gasoline or other flammable vapours and liquids in the vicinity of this or any other appliance.

WHAT TO DO IF YOU SMELL GAS:

- Do not try to light any appliance.
- Do not touch any electrical switch.
- Do not use any phone in your building.
- Immediately call your gas supplier from a neighbour's phone. Follow the gas supplier's instructions.
- If you cannot reach your gas supplier, call the fire department.

Installation and service must be performed by a qualified installer, service agency or the gas supplier.

Wolf Steel Ltd., RR#1, 9 Napoleon Rd.,
Barrie, ON., Canada L4M 4Y8 (705)721-1212

Fax: (705)722-6031 Email: ask@napoleon.on.ca

Web: www.napoleon.on.ca



WS-415-179/01.07.00



TABLE of CONTENTS

<p>PG 2-4 INTRODUCTION</p> <ul style="list-style-type: none"> Warranty General Instructions General Information Care of Glass & Plated Parts <p>5-7 VENTING</p> <ul style="list-style-type: none"> Venting Lengths Special Installation Example Air Terminal Locations <p>8-12 INSTALLATION</p> <ul style="list-style-type: none"> Wall & Ceiling Protection Using Flexible Vent Components Using Rigid Vent Components Mobile Home Installation Gas Installation Framing 	<p>PG 13 FINISHING</p> <ul style="list-style-type: none"> Door, Louvre & Trim Removal & Installation Log Placement <p>14 OPTIONAL BLOWER</p> <p>15-16 OPERATION / MAINTENANCE</p> <ul style="list-style-type: none"> Operating Instructions Maintenance <p>16 ADJUSTMENTS</p> <ul style="list-style-type: none"> Pilot Burner Adjustment Venturi Adjustment <p>17-18 REPLACEMENTS</p> <ul style="list-style-type: none"> Ordering Replacement Parts Replacement Parts Accessories Vent Kits Terminal Kits <p>19-20 TROUBLE SHOOTING GUIDE</p>
--	--

PLEASE RETAIN THIS MANUAL FOR FUTURE REFERENCE

WARNING

- Do not burn wood or other materials in this fireplace.
- Adults and especially children should be alerted to the hazards of high surface temperatures and should stay away to avoid burns or clothing ignition. Supervise young children when they are in the same room as the fireplace.
- Due to high temperatures, the fireplace should be located out of traffic and away from furniture and draperies.
- Clothing or other flammable material should not be placed on or near the fireplace.
- Any safety screen or guard removed for servicing must be replaced prior to operating the fireplace.
- It is imperative that the control compartments, burners and circulating blower and its passageway in the fireplace and venting system are kept clean. The fireplace and its venting system should be inspected before use and at least annually by a qualified service person. More frequent cleaning may be required due to excessive lint from carpeting, bedding material, etc. The fireplace area must be kept clear and free from combustible materials, gasoline and other flammable vapours and liquids.
- Under no circumstances should this fireplace be modified.
- This fireplace must not be connected to a chimney flue pipe serving a separate solid fuel burning appliance.
- Do not use this fireplace if any part has been under water. Immediately call a qualified service technician to inspect the fireplace and to replace any part of the control system and any gas control which has been under water.
- Do not operate the fireplace with the glass door removed, cracked or broken. Replacement of the glass should be done by a licensed or qualified service person. Use only with a glass door certified with the fireplace.
- Do not strike or slam shut the fireplace glass door.

NOTE: Changes, other than editorial, are denoted by a vertical line in the margin.

NAPOLEON gas fireplaces are manufactured under the strict Standard of the world recognized ISO9002 Quality Assurance Certificate.

NAPOLEON products are designed with superior components and materials, assembled by trained craftsmen who take great pride in their work. The burner and valve assembly are leak and test-fired at a quality test station. The complete fireplace is again thoroughly inspected by a qualified technician before packaging to ensure that you, the customer, receives the quality product that you expect from NAPOLEON.

NAPOLEON GAS FIREPLACE PRESIDENT'S LIFETIME LIMITED WARRANTY

The following materials and workmanship in your new NAPOLEON gas fireplace are warranted against defects for as long as you own the fireplace. This covers: combustion chamber, heat exchanger, stainless steel burner, phazer™ logs and embers, ceramic glass (thermal breakage only), gold plated parts against tarnishing, porcelainized enamelled components and aluminum extrusion trims.

Electrical (110V and millivolt) components and wearable parts such as blowers, gas valves, thermal switch, switches, wiring, remote controls, ignitor, gasketing, and pilot assembly are covered and NAPOLEON will provide replacement parts free of charge during the first year of the limited warranty.

Labour related to warranty repair is covered free of charge during the first year. Repair work, however, requires the prior approval of an authorized company official. Labour costs to the account of NAPOLEON are based on a predetermined rate schedule and any repair work must be done through an authorized NAPOLEON dealer.

CONDITIONS AND LIMITATIONS

NAPOLEON warrants its products against manufacturing defects to the original purchaser only -- i.e., the individual or legal entity (registered customer) whose name appears on the warranty registration card filed with NAPOLEON -- provided that the purchase was made through an authorized NAPOLEON dealer and is subject to the following conditions and limitations:

This factory warranty is nontransferable and may not be extended whatsoever by any of our representatives.

The gas fireplace must be installed by a licenced, authorized service technician or contractor. Installation must be done in accordance with the installation instructions included with the product and all local and national building and fire codes.

This limited warranty does not cover damages caused by misuse, lack of maintenance, accident, alterations, abuse or neglect and parts installed from other manufacturers will nullify this warranty.

This limited warranty further does not cover any scratches, dents, corrosion or discolouring caused by excessive heat, abrasive and chemical cleaners nor chipping on porcelain enamel parts, mechanical breakage of PHAZER™ logs and embers, nor any venting components used in the installation of the fireplace.

NAPOLEON warrants its stainless steel burners against defects in workmanship and material for life, subject to the following conditions: During the first 10 years NAPOLEON will replace or repair the defective parts at our option free of charge. From 10 years to life, NAPOLEON will provide replacement burners at 50% of the current retail price.

In the first year only, this warranty extends to the repair or replacement of warranted parts which are defective in material or workmanship provided that the product has been operated in accordance with the operation instructions and under normal conditions.

After the first year, with respect to this President's Limited Lifetime Warranty, NAPOLEON may, at its discretion, fully discharge all obligations with respect to this warranty by refunding to the original warranted purchaser the wholesale price of any warranted but defective part(s).

After the first year, NAPOLEON will not be responsible for installation, labour or any other costs or expenses related to the reinstallation of a warranted part, and such expenses are not covered by this warranty.

Notwithstanding any provisions contained in this President's Limited Lifetime Warranty, NAPOLEON'S responsibility under this warranty is defined as above and it shall not in any event extend to any incidental, consequential or indirect damages.

This warranty defines the obligations and liability of NAPOLEON with respect to the NAPOLEON gas fireplace and any other warranties expressed or implied with respect to this product, its components or accessories are excluded.

NAPOLEON neither assumes, nor authorizes any third party to assume, on its behalf, any other liabilities with respect to the sale of this product. NAPOLEON will not be responsible for: over-firing, downdrafts, spillage caused by environmental conditions such as rooftops, buildings, nearby trees, hills, mountains, inadequate vents or ventilation, excessive venting configurations, insufficient makeup air, or negative air pressures which may or may not be caused by mechanical systems such as exhaust fans, furnaces, clothes dryers, etc.

Any damages to fireplace, combustion chamber, heat exchanger, brass trim or other component due to water, weather damage, long periods of dampness, condensation, damaging chemicals or cleaners will not be the responsibility of NAPOLEON.

The bill of sale or copy will be required together with a serial number and a model number when making any warranty claims from your authorized dealer. The warranty registration card must be returned within fourteen days to register the warranty.

NAPOLEON reserves the right to have its representative inspect any product or part thereof prior to honouring any warranty claim.

GENERAL INSTRUCTIONS

THIS GAS FIREPLACE SHOULD BE INSTALLED AND SERVICED BY A QUALIFIED INSTALLER to conform with local codes. In absence of local codes, install to the current National Fuel Gas Code, ANSI Z223.1, or the current CAN/CGA B149, Installation Codes. Mobile home installation must conform with local codes or in the absence of local codes, install to the current standard for gas equipped mobile housing CAN/CSA ZA240 MH Series in Canada or the Manufactured Home Construction and Safety Standard, Title 24 CFR, Part 3280, or the Fire Safety Criteria for Manufactured Home Installations, Sites, and Communities Standard ANSI/NFPA 501A in the United States.

The fireplace and its individual shutoff valve must be disconnected from the gas supply piping system during any pressure testing of that system at test pressures in excess of 1/2 psig (3.5 kPa). The fireplace must be isolated from the gas supply piping system by closing its individual manual shutoff valve during any pressure testing of the gas supply piping system at test pressures equal to or less than 1/2 psig (3.5 kPa).

When the fireplace is installed directly on carpeting, vinyl tile or other combustible material other than wood flooring, the fireplace shall be installed on a metal or wood panel extending the full width and depth.

If the optional blower is installed, the receptacle / junction box must be electrically connected and grounded in accordance with local codes. In the absence of local codes, use the current CSA C22.1 CANADIAN ELECTRICAL CODE in Canada or the ANSI/NFPA 70-1996 NATIONAL ELECTRICAL CODE in the United States.

GENERAL INFORMATION

FOR YOUR SATISFACTION, THIS FIREPLACE HAS BEEN TEST-FIRED TO ASSURE ITS OPERATION AND QUALITY! Maximum input is 15,000 BTU/hr for natural gas and 14,000 BTU/hr propane when installed at elevations up to 4,500ft. When the fireplace is installed at elevations above 4,500ft, and in the absence of specific recommendations from the local authority having jurisdiction, the certified high altitude input rating shall be reduced at the rate of 4% for each additional 1,000ft. Maximum output for natural gas is 10,500BTU/hr at an efficiency of 70% with the fan on, and 10,000 BTU/hr for propane at an efficiency of 71% with the fan on.

Minimum inlet gas supply pressure is 4.5 inches water column for natural gas and 11 inches water column for propane. Maximum inlet gas pressure is 7 inches water column for natural gas and 13 inches water column for propane. Manifold pressure under flow conditions is 3.5 inches water column for natural gas and 10 inches water column for propane.

This fireplace is approved for bathroom, bedroom and bed-sitting room installations and is suitable for mobile home installation. The natural gas model can only be installed in a mobile home that is permanently positioned on its site and fueled with natural gas.

CARE OF GLASS, AND PLATED PARTS

Do not use abrasive cleaners to clean plated parts. Buff lightly with a clean dry cloth. The glass is 3/16" tempered glass available from your Napoleon / Wolf Steel Ltd. dealer. **DO NOT SUBSTITUTE MATERIALS.** Clean the glass after the first 10 hours of operation with a recommended gas fireplace glass cleaner. Thereafter clean as required. **DO NOT CLEAN GLASS WHEN HOT!** If the glass is not kept clean permanent discoloration and / or blemishes may result.

No external electricity (110 volts or 24 volts) is required for the gas system operation.

Expansion / contraction noises during heating up and cooling down cycles are normal and are to be expected.

Provide adequate ventilation air. Provide adequate accessibility clearance for servicing and operating the fireplace. Never obstruct the front opening of the fireplace.

Purge all gas lines with the glass door of the fireplace removed. Assure that a continuous gas flow is at the burner before installing the door.

Under extreme vent configurations, allow several minutes (5-15) for the flame to stabilize after ignition.

Six inches is the minimum bend radius allowed for the 7" diameter flexible liner.

Objects placed in front of the fireplace must be kept a minimum of 48" from the front face of the unit.

Use only accessories designed for and listed with the GD15 model.

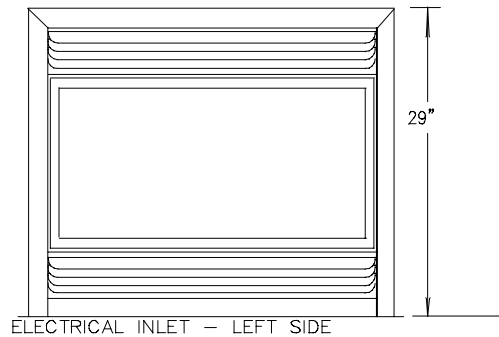
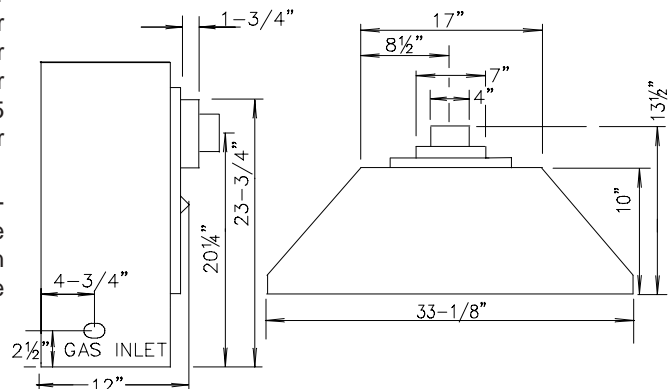


FIGURE 1



VENTING

VENTING LENGTHS AND AIR TERMINAL LOCATIONS

Use only Napoleon or Simpson Dura-Vent Model DV-GS venting components. Minimum and maximum vent lengths, for both horizontal and vertical installations, and air terminal locations for these installations, are set out in this manual and must be adhered to. For Simpson Dura-Vent, follow the installation procedure provided with the venting components. All vent pipe connections must be sealed when using any of these vent systems.

When using Napoleon venting components, use only approved Wolf Steel Ltd. rigid / flexible vent components with the following termination kits: WALL TERMINAL KIT **GD222**, or 1/12 TO 7/12 PITCH ROOF TERMINAL KIT **GD110**, 8/12 TO 12/12 ROOF TERMINAL KIT **GD111**, FLAT ROOF TERMINAL KIT **GD112** or PERISCOPE KIT **GD201** (for wall penetration below grade). With flexible venting, in conjunction with the various terminations, use either the 5 foot vent kit **GD220** or the 10 foot vent kit **GD330**. These vent kits allow for either horizontal or vertical venting of the fireplace. **FIGURES 2, 3, & 5.**

The maximum allowable vertical vent length is 40 feet.

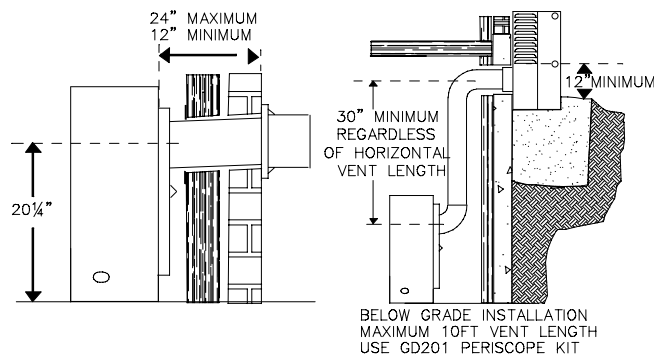
For optimum flame appearance and fireplace performance, keep the vent length and number of elbows to a minimum. The air terminal must remain unobstructed at all times. Examine the air terminal at least once a year to verify that it is unobstructed and undamaged.

Horizontal runs may have a 0 inch rise per foot in all cases using Simpson Dura-Vent or Napoleon rigid or flexible venting components when venting as illustrated in Figures 2a, 2b and 2c.

For optimum performance, it is recommended that all horizontal runs have a minimum ¼ inch rise per foot.

When venting the horizontal run must be kept to a minimum of 12 inches or a maximum of 24 inches. If a greater horizontal run is required, the fireplace must have a minimum vertical rise of 24 inches. With this configuration, the horizontal run can be between a minimum of 13 inches and a maximum of 96 inches. **FIGURE 2c:** When terminating vertically, the vertical rise is a minimum 36 inches to a maximum 40 feet from the centre of the fireplace flue outlet. **FIGURES 3a-b.** The maximum horizontal run, when terminating vertically, is 7 feet.

SPECIAL INSTALLATION EXAMPLE



FIGURES 2a - d

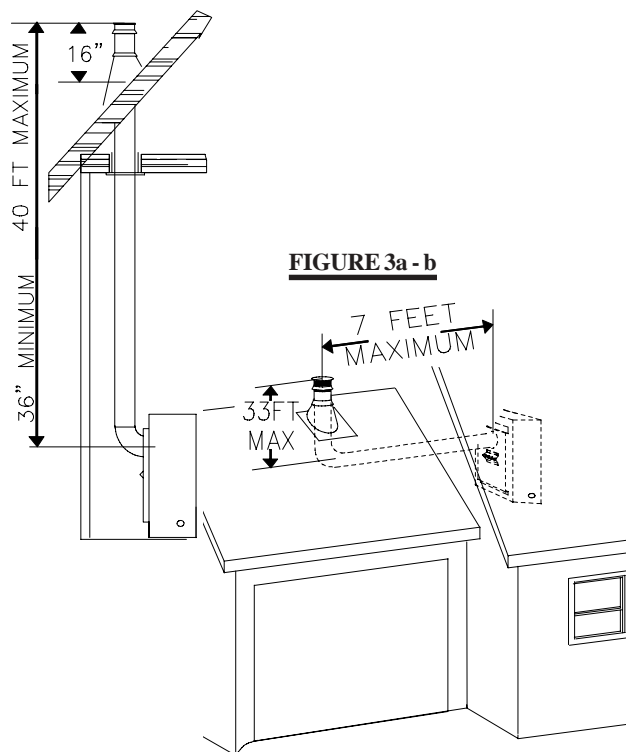
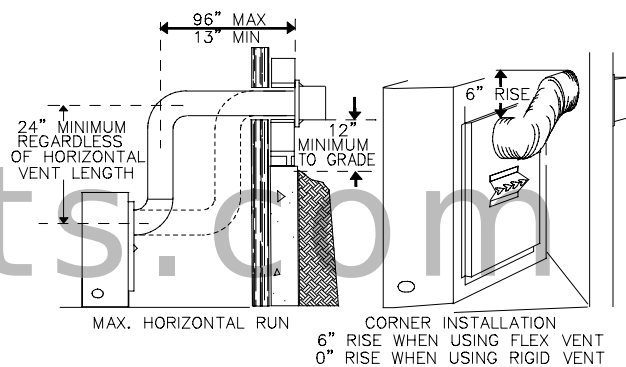
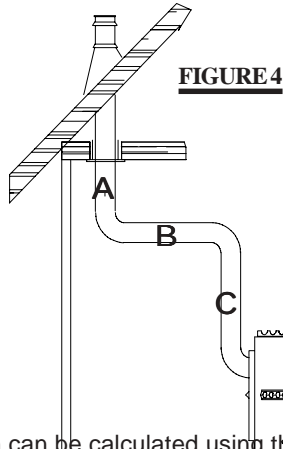


FIGURE 3a - b

6

When a horizontal offset is required in a through-the-roof installation, the following procedure for vent length calculations must be followed:

In an installation as shown in **FIGURE 4**, lengths A and C are known based on room height and roof requirements. **Any 90° and 45° elbows must be calculated as 5 feet of venting each except for the one immediately at the fireplace which is excluded.**



The allowable horizontal run can be calculated using these parameters. In this example, the total vertical height is 20 feet (length "A" is required to be 11 feet while length "C" needs to be 9 feet). The maximum vertical length is 40 feet and all runs and elbows must be subtracted from this maximum vertical length.

The maximum allowable horizontal run that "B" can be is:

- 40 ft. (maximum vertical run length)
- 11 ft. (through the roof vertical rise "A")
- 10 ft. (2 - 90° elbow)
- 9 ft. (vertical run "C")

10 ft. (maximum allowable horizontal length for "B")

The length of "B" must never be greater than the length of "A" and "C" combined.

Minimum clearance to combustible construction from fireplace and vent surfaces:

sides, back, bottom and top	0 inches
sides, and bottom of the vent pipe	1 inch *
top of the vent pipe	2 inches *
recessed depth	12 inches

* A clearance to combustibles of 2" at the vent pipe top must be maintained for the first 12" of venting. The firestop spacer GA-010-612 supplied with the unit must be used to maintain this clearance. Thereafter a 1" clearance to combustibles may be maintained using the firestop spacer GD-500.96 for use with flexible venting or firestop spacer GD-500.136 for use with rigid venting.

For safe and proper operation of the fireplace follow the

venting instruction exactly.

Deviation from the minimum or the maximum vertical vent length can create difficulty in burner start-up and/or carboning.

Vent lengths that pass through unheated spaces (attics, garages, crawl spaces) should be insulated with the insulation wrapped in a protective sleeve to minimize condensation.

Provide a means for visually checking the vent connection to the fireplace after the fireplace is installed.

Do not allow the inside liner to bunch up on horizontal or vertical runs and elbows. Keep it pulled tight. A 1-1/4" air gap between the inner and outer liner all around is required for safe operation.

Use a firestop, vent pipe shield or attic insulation shield when penetrating interior walls, floor or ceiling.

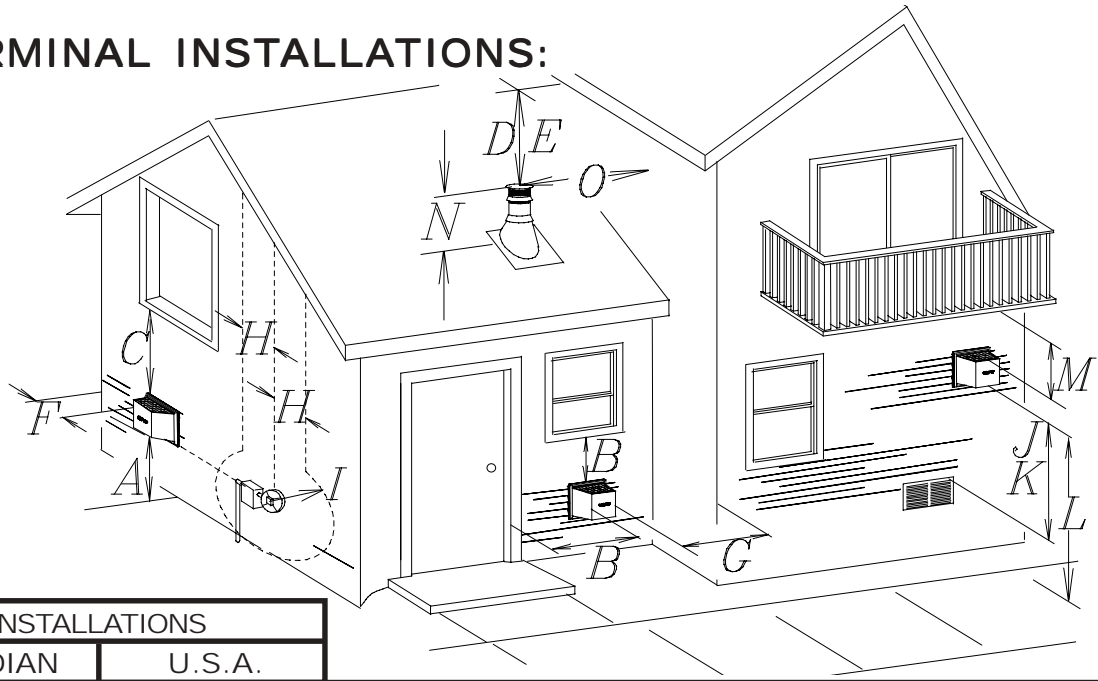
A terminal shall not terminate directly above a sidewalk or paved driveway which is located between two single family dwellings and serves both dwellings. Local codes or regulations may require different clearances.

The fireplace must be installed against finished walls. Do not install against a vapour barrier or exposed insulation.

fireparts.com

AIR TERMINAL INSTALLATIONS:

FIGURE 5



INSTALLATIONS			
	CANADIAN	U.S.A.	
A	12 INCHES	12 INCHES	Clearance above grade, veranda porch, deck or balcony.
B	12 INCHES	9 INCHES	Clearance to windows or doors that open.
C	12 INCHES*	12 INCHES*	Clearance to permanently closed windows.
D	18 INCHES**	18 INCHES**	Vertical clearance to ventilated soffit located above the terminal within a horizontal distance of 2 feet from the centerline of the terminal.
E	12 INCHES**	12 INCHES**	Clearance to unventilated soffit.
F	0 INCHES	0 INCHES	Clearance to an outside corner wall.
G	0 INCHES***	0 INCHES***	Clearance to an inside <i>non</i> -combustible corner wall or protruding <i>non</i> -combustible obstructions (chimney, etc.).
	2 INCHES***	2 INCHES***	Clearance to an inside combustible corner wall or protruding combustible obstructions (vent chase, etc.).
H	3 FEET	3 FEET****	Clearance to each side of the centerline extended above the meter / regulator assembly.
I	6 FEET	3 FEET****	Clearance to a service regulator vent outlet.
J	12 INCHES	9 INCHES	Clearance to a non-mechanical air supply inlet to the building or a combustion air inlet to any other appliance.
K	6 FEET	3 FEET†	Clearance to a mechanical air supply inlet.
L	7 FEET‡	7 FEET****	Clearance above a paved sidewalk or paved driveway located on public property unless fitted with a heat shield kit GD-301.
M	12 INCHES††	12 INCHES****	Clearance under a veranda, porch, deck or balcony.
N	16 INCHES	16 INCHES	Clearance above the roof.
O	2 FEET†*	2 FEET†*	Clearance from an adjacent wall including neighbouring buildings.

* Recommended to prevent condensation on windows and thermal breakage

** It is recommended to use a heat shield and to maximize the distance to vinyl clad soffits.

*** The periscope GD-201 requires a minimum 18 inches clearance from an inside corner.

**** This is a recommended distance. For additional requirements check local codes.

† Three feet above if within 10 feet horizontally.

‡ A vent shall not terminate directly above a sidewalk or paved driveway that is located between two single family dwellings and serves both dwellings.

†† Permitted only if the veranda, porch, deck or balcony is fully open on a minimum of two sides beneath the floor.

†* Recommended to prevent recirculation of exhaust products. For additional requirements check local codes.

INSTALLATION

WALL AND CEILING PROTECTION

For optimum performance, it is recommended that all horizontal runs have a minimum $\frac{1}{4}$ inch rise per foot.

For safe and proper operation of the fireplace, follow the venting instructions exactly.

HORIZONTAL INSTALLATION:

This application occurs when venting through an exterior wall. **Figures 2a-d.** Having determined the air terminal location, cut and frame a hole in an exterior wall with a minimum opening of $9\frac{1}{2}$ " x $10\frac{1}{2}$ ". (As an alternative to framing, a vent pipe shield may be installed, ensuring the correct clearance to combustibles.)

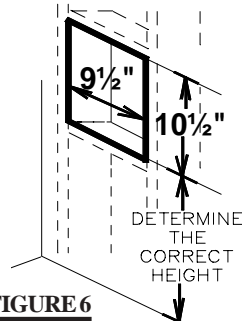


FIGURE 6

1. Mark and cut the vent pipe shield to the determined depth of the combustible wall. Apply a bead of caulking (not supplied) to the framework or to the shield plate (in the case of a finished wall) and secure the shield through the opening to the interior wall. *The final location of the vent pipe shield should maintain the required clearance to the 7" vent pipe / liner.* Do not fill this cavity with any type of material. Apply a bead of caulking all around and place a firestop spacer over the vent shield to restrict cold air from being drawn into the room or around the fireplace. Ensure that both spacer and shield maintain the required clearance to combustibles. Once the vent pipe / liner is installed in its final position, apply sealant between the pipe / liner and the firestop spacer.

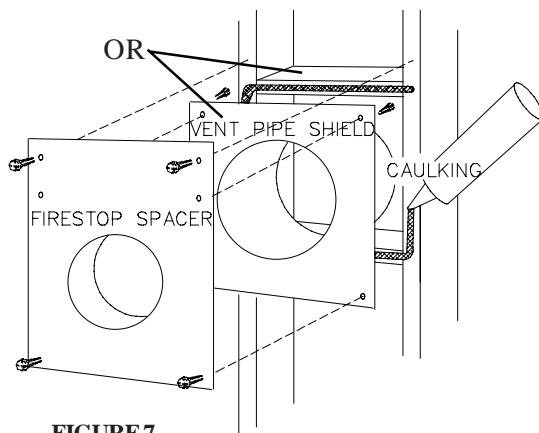


FIGURE 7

VERTICAL INSTALLATION:

This application occurs when venting through a roof. **FIGURE 3.** Installation kits for various roof pitches are available from your Napoleon dealer. See Accessories to order the specific kit required.

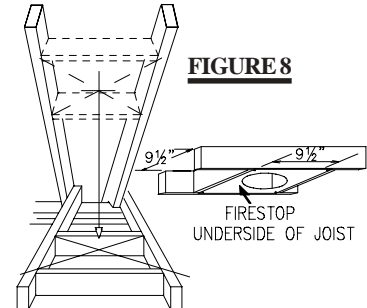


FIGURE 8

1. Determine the air terminal location, cut and frame $9\frac{1}{2}$ inch openings in the ceiling and the roof to provide the minimum clearance between the fireplace pipe / liner and any combustible material. Try to center the exhaust pipe location midway between two joist to prevent having to cut them. Use a plumb bob to line up the center of the openings.

Do not fill this space with any type of material.

A vent pipe shield will prevent any materials such as insulation, from filling up the 1" air space around the pipe. **FIGURE 9** Nail headers between the joist for extra support.

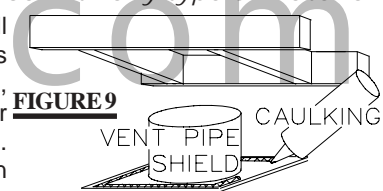


FIGURE 9

2. Apply a bead of caulking (not supplied) to the framework or to the Wolf Steel vent pipe shield plate or equivalent (in the case of a finished ceiling), and secure over the opening in the ceiling. A firestop must be placed on the bottom of each framed opening in a roof or ceiling that the venting system passes through. Apply a bead of caulking all around and place a firestop spacer over the vent shield to restrict cold air from being drawn into the room or around the fireplace. Ensure that both spacer and shield maintain the required clearance to combustibles. Once the vent pipe / liner is installed in its final position, apply sealant between the pipe / liner and the firestop spacer.

3. In the attic, after the pipe / liner has been installed, slide the vent pipe collar down to cover up the open end of the shield and tighten. This will prevent any materials, such as insulation, from filling up the 1" air space around the pipe.

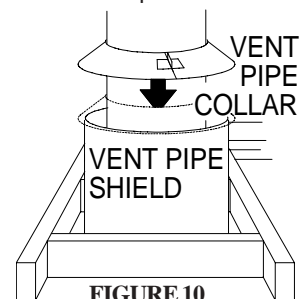


FIGURE 10

INSTALLATION

USING FLEXIBLE VENT COMPONENTS

For optimum performance, it is recommended that all horizontal runs have a minimum $\frac{1}{4}$ inch rise per foot.

For safe and proper operation of the fireplace, follow the venting instructions exactly.

HORIZONTAL AIR TERMINAL INSTALLATION

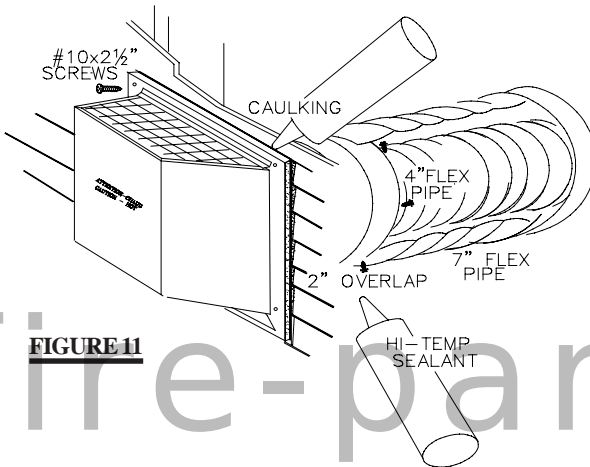


FIGURE 11

1. Stretch the 4" diameter aluminum flexible liner to the required length taking into account the additional length needed for the finished wall surface. Apply a heavy bead of the high temperature sealant, supplied with the unit, to the inside of the 4" liner approximately 1" from the end. Slip the liner a minimum of 2" over the fireplace vent collar and secure with 3 #8 screws.

2. Using the 7" diameter flexible aluminum liner, apply sealant, slide a minimum of 2" over the fireplace combustion air collar and secure with 3 #8 screws.

3. Insert the liners through the firestop. Position and secure the fireplace using the nailing tabs (2 per side) and/or secure to the floor using screws inserted through the two $\frac{1}{4}$ " diameter holes in the front left and right corners of the base. The liners should be flush with the exterior wall.

The air terminal plate may be recessed into the exterior wall or siding by $1\frac{1}{2}$ ", the depth of the return flange.

4. From outside, apply a bead of the high temperature sealant to the inside of both liners, approximately 1" from the end of each liner.

5. Holding the air terminal (lettering in an upright, readable position), insert into both liners with a twisting motion to ensure that both the terminal sleeves engage into the liners / sealant. Secure the terminal to the exterior wall and make weather tight by sealing with caulking (not supplied).

EXTENDED HORIZONTAL AND CORNER AIR TERMINAL INSTALLATION

A 45° corner installation must have 6 inch minimum rise between the fireplace combustion air collar and the air terminal. **FIGURE 2d**. In this case, vent lengths must be kept to a maximum of 24". For longer vent lengths, a minimum vertical rise of 24" is required. **FIGURE 2c**. Use the GD220 vent kit and couplers for this application.

If more than one length of liner needs to be used to reach the fireplace, couple them together as illustrated below. Seal the joints using the same procedure as described in point 2. The vent system must be supported approximately every 3 feet for both vertical and horizontal runs. Use Napoleon support ring assemblies, GA-GD-010.370 or equivalent noncombustible strapping to maintain the minimum clearance to combustibles as well as to prevent sagging.

Spacers are attached to the 4" inner flex liner at predetermined intervals to maintain a $1\frac{1}{4}$ " air gap to the 7" outer liner. These spacers must not be removed.

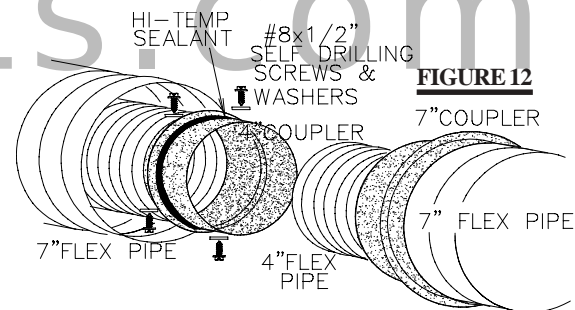


FIGURE 12

VERTICAL VENTING INSTALLATION

1. Fasten the roof support to the roof using the screws provided. The roof support is optional. The venting is to be adequately supported using either an alternate method suitable to the authority having jurisdiction or the optional roof support.

2. Stretch the 4" diameter aluminum flexible liner to the required length. Slip the liner a minimum of 2" over the inner sleeve of the air terminal and secure with 3 #8 screws. Seal using a heavy bead of the high temperature sealant.

3. Repeat using 7" diameter aluminum flexible liner.

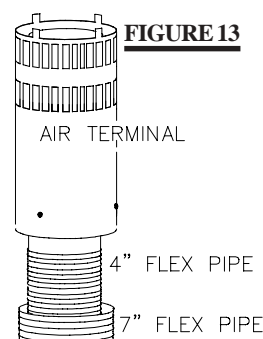


FIGURE 13

4. Thread the air terminal pipe assembly down through the roof. The air terminal must be located vertically and plumb. Attach the air terminal assembly to the roof support, ensuring that a minimum 16" of air terminal will penetrate the roof when fastened.

DO NOT CLAMP THE FLEXIBLE ALUMINUM LINER.

5. Remove nails from the shingles, above and to the sides of the chimney. Place the flashing over the air terminal and slide it underneath the sides and upper edge of the shingles. Ensure that the air terminal is properly centered within the flashing, giving a 3/4" margin all around. Fasten to the roof. Do **not** nail through the lower portion of the flashing. Make weather-tight by sealing with caulking. Where possible, cover the sides and top edges of the flashing with roofing material.

6. Apply a heavy bead of weatherproof caulking 2 inches above the flashing. Slide the storm collar around the air terminal and down to the caulking. Tighten to ensure that a weather-tight seal between the air terminal and the collar is achieved. Attach the other storm collar centered between the air intake and the air exhaust slots onto the air terminal. Tighten securely. Attach the vertical rain cap.

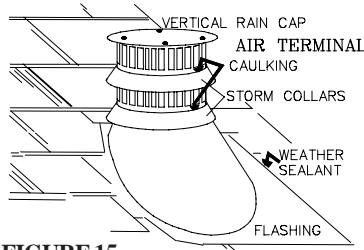
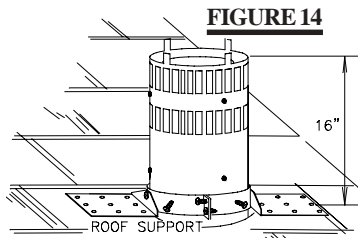


FIGURE 15

Spacers are attached to the 4" inner flex liner at predetermined intervals to maintain a 1-1/4" air gap to the 7" outer liner. These spacers must not be removed.

7. If more liner needs to be used to reach the fireplace, follow the same procedure as found in **EXTENDED HORIZONTAL AND CORNER AIR TERMINAL INSTALLATION**. The vent system must be supported approximately every 3 feet for both vertical and horizontal runs. Use Napoleon support ring assembly **GA-GD-010.370** or equivalent noncombustible strapping to maintain the minimum clearance to combustibles as well as to prevent sagging.

FIREPLACE VENT CONNECTION

1. Install the 4 inch diameter aluminum flexible liner to the fireplace. Secure with 3 screws and flat washers. Seal the joint and screw holes using the high temperature sealant provided.

2. Install the 7 inch diameter aluminum flexible liner to the fireplace. Attach and seal the joints.

3. Move the fireplace into position and secure using the nailing tabs (2 per side). The two holes in the fireplace base located behind the lower louvre assembly may be used to attach the fireplace to the floor using screws.

INSTALLATION

USING RIGID VENT COMPONENTS

FOR SAFE AND PROPER OPERATION OF THE FIREPLACE, FOLLOW THE VENTING INSTRUCTIONS EXACTLY.

FOR OPTIMUM PERFORMANCE, IT IS RECOMMENDED THAT ALL HORIZONTAL RUNS HAVE A MINIMUM 1/4 INCH RISE PER FOOT.

The vent system must be supported approximately every 3 feet for both vertical and horizontal runs. Use Napoleon vent spacers **WS-615-33** or equivalent every 3 feet and either side of each elbow to maintain the minimum 1 1/4" clearance between the outer and inner vent pipes. Use Napoleon support ring assembly **GA-GD-010.370** or equivalent noncombustible strapping to maintain the minimum clearance to combustibles for both vertical and horizontal runs.

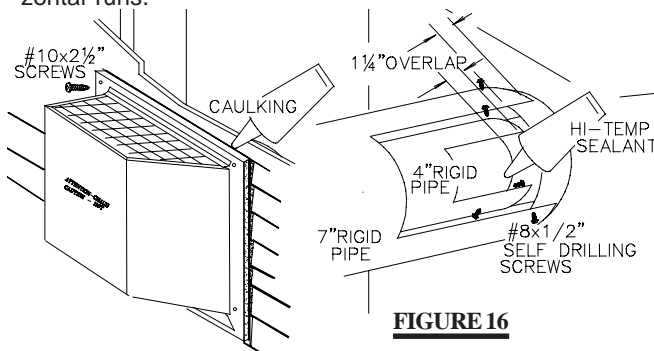


FIGURE 16

HORIZONTAL AIR TERMINAL INSTALLATION

1. Move the fireplace into position. Measure the vent length required between terminal and fireplace taking into account the additional length needed for the finished wall surface and any 1/4" overlaps between venting components.

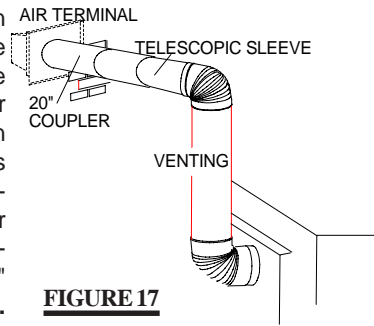
2. Apply high temperature sealant to the outer edge of the 4" inner collar of the fireplace. Attach the first vent component and secure using 3 self tapping screws. Repeat using 7" piping.

3. Holding the air terminal (lettering in an upright, readable position), insert into both vent pipes with a twisting motion to ensure that both the terminal sleeves engage into the vent pipes and the sealant. Secure the terminal to the exterior wall and make weather tight by sealing with caulking (not supplied).

THE AIR TERMINAL MOUNTING PLATE MAY BE RECESSED INTO THE EXTERIOR WALL OR SIDING BY 1 1/2", THE DEPTH OF THE RETURN FLANGE.

EXTENDED HORIZONTAL AND CORNER AIR TERMINAL INSTALLATION

A 45° corner installation can have 0 inch rise between the fireplace combustion air collar and the air terminal. In this case, vent lengths must be kept to a maximum of 24". For longer vent lengths, a minimum vertical rise of 24" is required. **FIGURE 2c.**

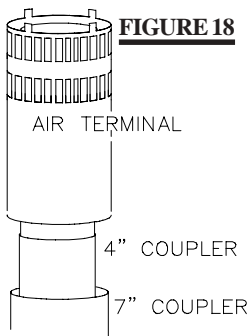


1. Follow the instructions for "Horizontal Air Terminal Installations".

2. Continue adding components alternating inner and outer venting. Ensure that all 4" venting and elbows have sufficient vent spacers attached and each component is sealed and securely fastened to the one prior. Attach the 4" telescopic sleeve to the vent run. Repeat using a 7" telescopic sleeve. Seal and secure as before. To facilitate completion, attach 4" and 7" couplers to the air terminal.

3. Install the air terminal. See *item 3 above*. Extend the 4" telescopic sleeve; apply sealant and connect to the air terminal assembly. Fasten with self tapping screws. Repeat using the 7" telescopic sleeve.

VERTICAL VENTING INSTALLATION



1. Attach 4" and 7" elbows to the fireplace. Apply high temperature sealant and secure the joints with 3 screws.

2. Move the fireplace into position.

3. Fasten the roof support to the roof using the screws provided. The roof support is optional. The venting is to be adequately supported using either

an alternate method suitable to the authority having jurisdiction or the optional roof support.

4. Apply high temperature sealant to the outer edge of the inner sleeve of the air terminal. Slip a 4" diameter coupler a minimum of 2" over the sleeve and secure using 3 screws.

5. Apply high temperature sealant to the outer edge of the outside sleeve of the air terminal. Slip a 7" diameter coupler over the sleeve and secure as before. Trim the 7" coupler even with the 4" coupler end.

6. Thread the air terminal pipe assembly down through the roof support and attach, ensuring that a minimum 16" of air terminal will penetrate the roof when fastened. **FIGURE 13.** If the attic space is tight, we recommend threading the Wolf Steel vent pipe collar or equivalent loosely onto the air terminal assembly as it is passed through the attic. **FIGURE 10.** The air terminal must be located vertically and plumb.

7. Remove nails from the shingles, above and to the sides of the chimney. Place the flashing over the air terminal and slide it underneath the sides and upper edge of the shingles. Ensure that the air terminal is properly centered within the flashing, giving a 3/4" margin all around. Fasten to the roof. Do NOT nail through the lower portion of the flashing. Make weather-tight by sealing with caulking. Where possible, cover the sides and top edges of the flashing with roofing material.

8. Apply a heavy bead of waterproof caulking 2 inches above the flashing. Slide the storm collar around the air terminal and down to the caulking. Tighten to ensure that a weather-tight seal between the air terminal and the collar is achieved. Attach the other storm collar centered between the air intake and air exhaust slots onto the air terminal. Tighten securely. Attach the rain cap.

9. Continue adding rigid venting sections, sealing and securing as above. Attach a 4" collapsed telescopic pipe to the last section of rigid piping. Secure with screws and seal. Repeat using a 7" telescopic pipe.

10. Run a bead of high temperature sealant around the outside of the 4" elbow. Pull the adjustable pipe a minimum 2" onto the elbow. Secure with 3 screws. Repeat with the 7" telescopic pipe.

11. In the attic, slide the vent pipe collar down to cover up the open end of the shield and tighten. This will prevent any materials, such as insulation, from filling up the 1" air space around the pipe.

MOBILE HOME INSTALLATION

In Canada, mobile home installation may be vented horizontally or vertically. In the United States, it may only be installed vertically. See "Vertical Venting" for installation.

The fireplace is equipped with two 1/4" diameter holes located in the front left and right corners of the base. For mobile home installations, the fireplace must be fastened in place. Use screws, inserted through the holes in the base to secure. It is recommended that the fireplace be secured in all installations.

Always turn off the pilot and the fuel supply at the source, prior to moving the mobile home.

After moving the mobile home and prior to lighting the fireplace, ensure that the logs are positioned correctly.

GAS INSTALLATION

Proceed once the vent installation is complete.

1. Route a 3/8" N.P.T. black iron gas line, 1/2" type-L copper tubing or equivalent to the fireplace.

2. For ease of accessibility, an optional remote wall switch or millivolt thermostat may be installed in a convenient location. Route 2-strand (solid core) millivolt wire through the electrical hole located at the bottom left side of the unit. The recommended maximum lead length depends on wire size:

WIRE SIZE	MAX. LENGTH
14gauge	100 feet
16gauge	60 feet
18gauge	40 feet

Attach the two leads to terminals 1 and 3 located on the gas valve.

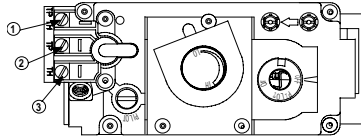


FIGURE 19

Do not connect either the wall switch, thermostat or gas valve to electricity (110 volts).

3. Install rigid black pipe, 1/2" type-L copper tubing or, if local codes permit, a 3/8" flex connector and shutoff valve to the gas line and the fireplace gas valve. Seal and tighten securely. An adapter fitting is required between the gas valve and the copper tubing or flex connector.

DO NOT KINK FLEXIBLE CONNECTOR.

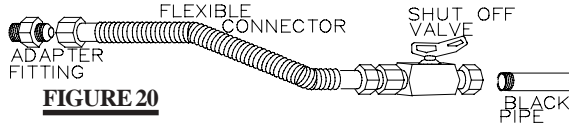


FIGURE 20

4. Check for gas leaks by brushing on a soap and water solution. **Do not use open flame.**

Purge all gas lines with the glass door of the fireplace removed. Assure that a continuous gas flow is at the burner before re-installing the door.

FRAMING

It is best to frame your fireplace after it is positioned and the vent system is installed. Use 2x4's and frame to local building codes.

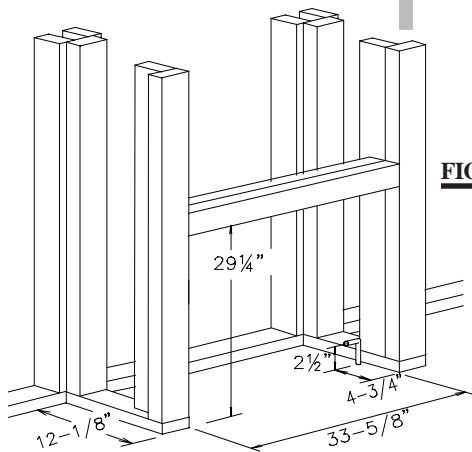


FIGURE 21

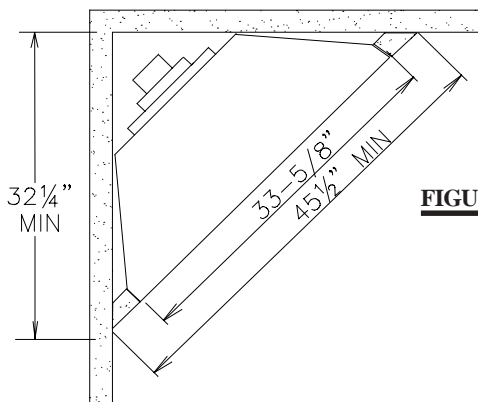
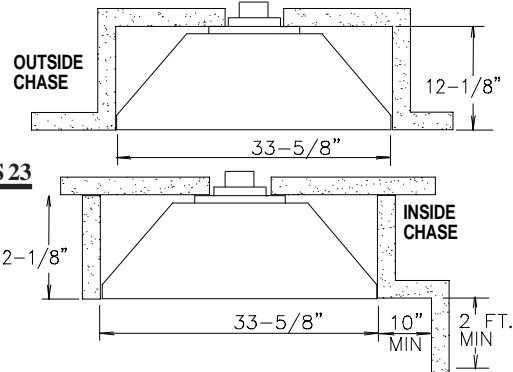


FIGURE 22

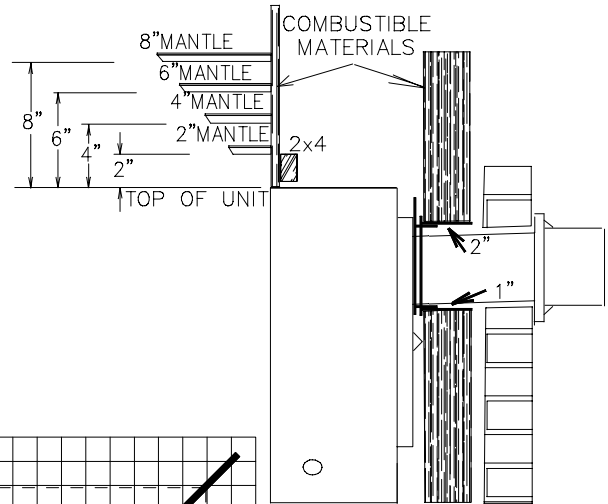
To install the fireplace face flush with the finished wall, position the framework to accommodate the thickness of the finished wall. For corner installation, allow a minimum rise of 6 inches between the fireplace and the air terminal using Napoleon flexible venting components / 0 inch rise when using Napoleon rigid venting or Simpson Dura-vent components. **FIGURE 2d.** Pull out the four nailing tabs, attached on either side of the fireplace and secure to the 2x4 framing to facilitate drywall installation and/or screw the fireplace to the floor using screws inserted through the two 1/4" diameter holes in the front left and right corners of the base.



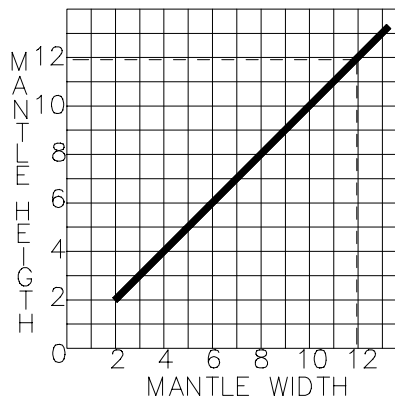
FIGURES 23

Combustible materials must be installed flush with the front of the fireplace but must not cover any of the black face-area of the fireplace. Non-combustible material (brick, stone or ceramic tile) may protrude past the face of the fireplace.

It is not necessary to install a hearth extension with this fireplace system. Objects placed in front of the fireplace should be kept a minimum of 48" away from the front face. Mantle clearance can vary according to the mantle depth. Use the graph to help evaluate the clearance needed.



FIGURES 24



FINISHING

DOOR AND LOUVRE REMOVAL & INSTALLATION

Ensure that the door is properly clipped onto the steel lip to prevent overheating, glass breakage and/or discolouration of the upper trim.



Remove the three screws securing the bottom of the door. Lift up and out. To re-install, repeat in reverse order. Retighten screws snugly. DO not over-tighten.

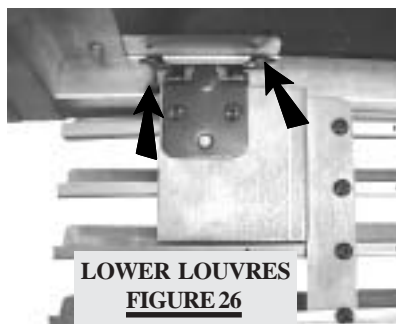
The louvre assemblies are installed as illustrated. **Ensure that the upper louvres snap into place.** This will ensure proper air flow. Optional plated door trim and the arched door facia are available at your local Napoleon/Wolf Steel dealer.



UPPER LOUVRES
FIGURES 25



LOUVRE SNAPPED
INTO PLACE



LOWER LOUVRES
FIGURE 26

LOG PLACEMENT

Blocked burner ports can cause an incorrect flame pattern, carbon deposits and delayed ignition. **PHAZER™** logs glow when exposed to direct flame and provide a unique and realistic glowing effect. Use only certified **PHAZER™** logs available from your Napoleon / Wolf Steel Ltd. dealer.

Positioning the logs improperly will cause flame impingement and carboning.

Log colours may vary. During the initial use of the fireplace, the colours will become more uniform as colour pigments burn in during the heat activated curing process.

FIGURES 27



Place log #1 onto the burner, centering it onto the burner tray and pushing it as close to the rear wall of the firebox as possible.



Sit the notch at the bottom of log #2 against the left outermost grate post and position the top of the log into the pocket provided on the rear log (#1).



Position the notches located in logs #3 and #4 against the grate posts.



Place the bottom of log #5 against the right outermost grate post and the top into the pocket provided on the center log (#4). Tear the glowing embers into pieces and place onto the small carry-over ports only. Care should be taken to shred the embers into *thin, small irregular pieces* as only the exposed edges of the fibre hairs will glow when exposed to direct flame; however care should be taken to not block the burner ports. Blocked ports can cause an incorrect flame pattern, carbon deposits and delayed ignition.

Randomly place the charcoal embers behind the grate posts and around the logs in a realistic manner but not in contact with the flames. Keep ember dust away from burner ports to avoid plugging them.

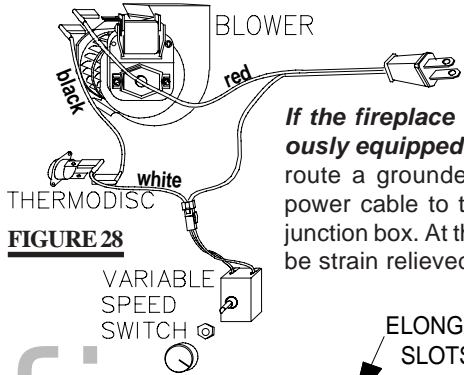


SMALL CARRY-OVER PORTS

OPTIONAL BLOWER INSTALLATION

To ease installation of blower, install the blower before installing junction box.

INSTALLATION TO BE DONE BY A QUALIFIED INSTALLER and must be electrically connected and grounded in accordance with local codes. In the absence of local codes, use the current CSA C22.1 CANADIAN ELECTRICAL CODE in Canada or the ANSI/NFPA 70-1996 NATIONAL ELECTRICAL CODE in the United States.



If the fireplace was not previously equipped with a blower: route a grounded 2-wire, 60hz power cable to the receptacle / junction box. At this point, it must be strain relieved and insulated.

FIGURE 28

The three slots on the blower mounting bracket allow ease of adjustment when attaching the blower. For a quiet running blower, do not allow the assembly to sit on the firebox base.

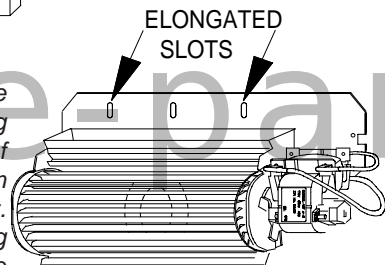


FIGURE 29

Slide the vibration reducing pad (A) into the clip (C) and up against the threaded stud (B) at the other end. The blower must be able to be positioned entirely onto the pad.

Tilt the blower onto its side. Slide it past the controls and into the clip (C). Secure to the threaded stud using the lock washer and wing nut provided. Ensure that the blower does not touch the fireplace base or the firebox.

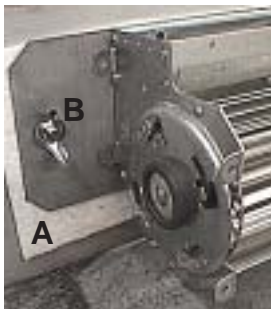


FIGURE 30



FIGURE 31

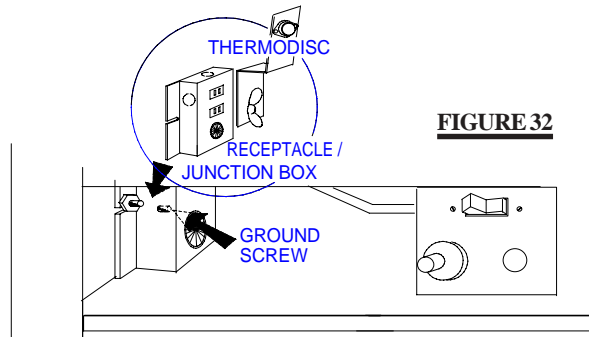


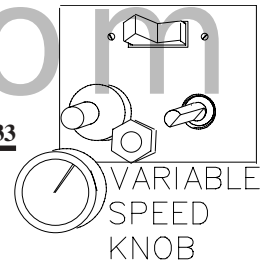
FIGURE 32

Attach the connectors from the black and white wires to the thermodisc and secure the thermodisc bracket to the securing stud at the bottom left of the unit using a lock washer and wing nut. Ensure that the thermodisc touches the firebox wall.

Attach the connectors from the black and red wires to the blower.

Attach and secure the variable speed switch using the nut provided. Plug the harness cord into the receptacle.

FIGURE 33



The wire harness provided in this kit is a universal harness. When installed, ensure that any excess wire is contained, preventing it from making contact with moving or hot objects.

Because the blower is thermally activated, when turned on, it will automatically start approximately 10 minutes after lighting the fireplace and will run for approximately 30-45 minutes after the fireplace has been turned off. Use of the fan increases the output of heat.

OPERATION / MAINTENANCE

PURGE THE GAS LINE WITH THE GLASS DOOR REMOVED.

OPERATING INSTRUCTIONS

When lit for the first time, the fireplace will emit a slight odour for a few hours. This is a normal temporary condition caused by the curing of the logs and the "burn-in" of internal paints and lubricants used in the manufacturing process and will not occur again.

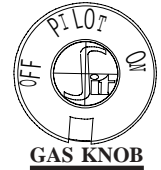
After extended periods of non-operation such as following a vacation or a warm weather season, the fireplace may emit a slight odour for a few hours. This is caused by dust particles in the heat exchanger burning off. In both cases, open a window to sufficiently ventilate the room.

FOR YOUR SAFETY READ BEFORE LIGHTING:

- This fireplace is equipped with a pilot which must be lit by hand while following these instructions exactly.
- Before operating smell all around the fireplace area for gas and next to the floor because some gas is heavier than air and will settle on the floor.
- Use only your hand to turn the gas control knob. Never use tools. If the knob will not turn by hand, do not try to repair it. Call a qualified service technician. Force or attempted repair may result in a fire or explosion.
- Do not use this fireplace if any part has been under water. Immediately call a qualified service technician to inspect the fireplace and replace any part of the control system and any gas control which has been under water.

WHAT TO DO IF YOU SMELL GAS:


- Turn off all gas to the fireplace.
- Open windows.
- Do not try to light any appliance.
- Do not touch any electric switch; do not use any phone in your building.
- Immediately call your gas supplier from a neighbour's phone. Follow the gas supplier's instructions.
- If you cannot reach your gas supplier, call the fire department.





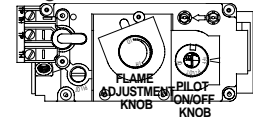
LIGHTING INSTRUCTIONS

WARNING: The gas valve has an interlock device which will not allow the pilot burner to be lit until the thermocouple has cooled. Allow approximately 60 seconds for the thermocouple to cool.

When lighting and re-lighting, the gas knob cannot be turned from pilot to off unless the knob is **depressed slightly**.

- Stop! Read the above safety information on this label.
- Turn off all electric power to the fireplace.
- Turn the gas knob clockwise  to off.
- Wait five (5) minutes to clear out any gas. If you smell gas including near the floor. Stop! Follow "B" in the above safety information on this label. If you don't smell gas go the next step.

- Turn gas knob counter-clockwise  to pilot.
- Depress slightly and hold gas knob while lighting the pilot with the push button ignitor. Keep knob depressed for one minute, then release. If pilot does not continue to burn, repeat steps 3 through 5.
- With pilot lit, depress and turn gas knob counter-clockwise  to on.
- If equipped with remote on-off switch/thermostat, main burner may not come on when you turn valve to on. Remote switch must be in the on position to ignite burner.
- Turn on all electric power to the fireplace.



TO TURN OFF GAS

- Turn off all electric power to the fireplace if service is to be performed.
- Push in gas control knob slightly and turn clockwise  to off. Do not force.

TURN THE CONTROL VALVE TO THE OFF POSITION WHEN HEATER IS NOT IN USE.

MAINTENANCE TURN OFF THE GAS AND ELECTRICAL POWER BEFORE SERVICING THE FIREPLACE.

CAUTION: Label all wires prior to disconnection when servicing controls. Wiring errors can cause improper and dangerous operation. Verify proper operation after servicing. This fireplace and its venting system should be inspected before use and at least annually by a qualified service person. The fireplace area must be kept clear and free of combustible materials, gasoline or other flammable vapours and liquids. The flow of combustion and ventilation air must not be obstructed.

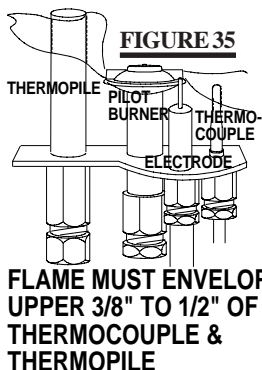
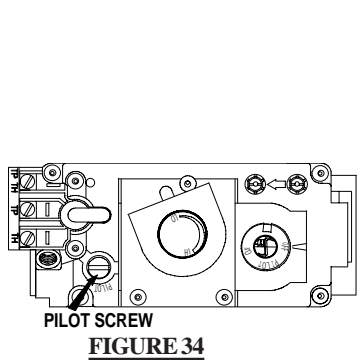
1. In order to properly clean the burner and pilot assembly, remove the logs to expose both assemblies.
2. Keep the control compartment, logs, burner, air shutter opening and the area surrounding the logs clean by vacuuming or brushing, *at least once a year.*

3. Check to see that all burner ports are burning. Clean out any of the ports which may not be burning or are not burning properly.
4. Check to see that the pilot flame is large enough to engulf the thermocouple and thermopile and reaches toward the burner with the third jet.
5. Replace the cleaned logs.
6. Check to see that the main burner ignites completely on all openings when the gas knob for the burner is turned on. A 5 to 10 second total light-up period is satisfactory. If ignition takes longer, consult your Napoleon dealer / distributor.
7. Check that the gasketing on the sides, top and bottom of the door is not broken or missing. Replace if necessary.

ADJUSTMENTS

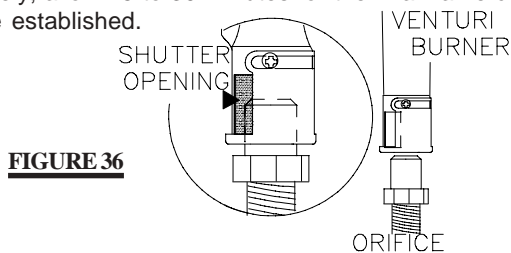
PILOT BURNER ADJUSTMENT

Adjust the pilot screw to provide properly sized flame. Turn in a clockwise direction to reduce the gas flow.



VENTURI ADJUSTMENT

Natural gas models have air shutters set at $\frac{1}{32}$ (.031) inch open. Propane gas models have air shutters set at $\frac{5}{8}$ (.625) inch open. Closing the air shutter will cause a more yellow flame, but can lead to carboning. Opening the air shutter will cause a more blue flame, but can cause flame lifting from the burner ports. The flame may not appear yellow immediately; allow 15 to 30 minutes for the final flame colour to be established.



AIR SHUTTER ADJUSTMENT MUST ONLY BE DONE BY A QUALIFIED GAS INSTALLER!

REPLACEMENTS

ORDERING REPLACEMENT PARTS

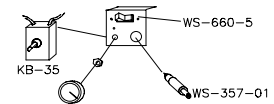
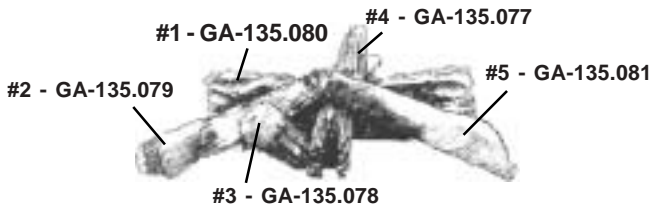
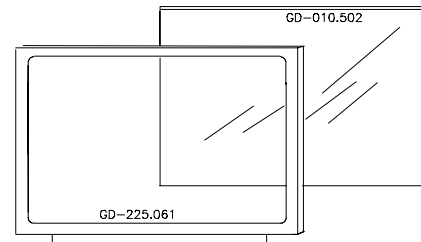
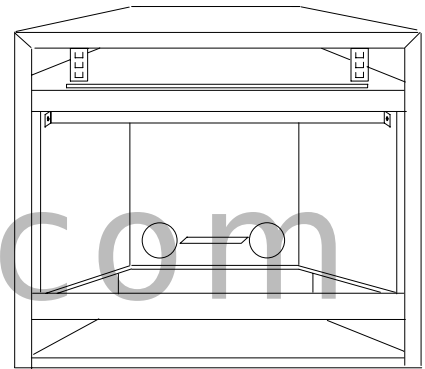
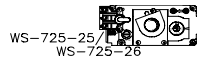
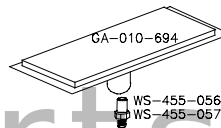
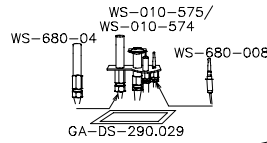
Contact your dealer or the factory for questions concerning prices and policies on replacement parts. Normally all parts can be ordered through your Napoleon dealer or distributor.

When ordering replacement parts always give the following information:

1. MODEL & SERIAL NUMBER OF FIREPLACE
2. INSTALLATION DATE OF FIREPLACE
3. PART NUMBER
4. DESCRIPTION OF PART
5. FINISH

REPLACEMENT PARTS FOR WARRANTY REPLACEMENT PARTS, A PHOTOCOPY OF THE ORIGINAL INVOICE WILL BE REQUIRED TO HONOUR THE CLAIM.

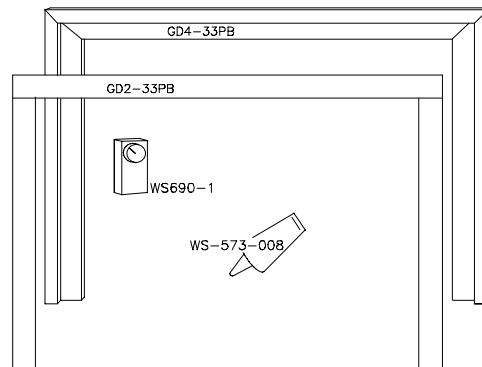
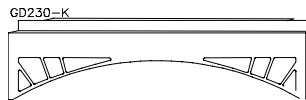
PART NO.	DESCRIPTION
GD-225.061	BLACK DOOR FRAME
GD-010.525	BLACK DOOR c/w GLASS & GASKET
GD-010.502	GLASS c/w GASKET
GD-020.084	PKG OF 3 DOOR SCREWS
WS-660-5	ON/OFF TOGGLE SWITCH
GD660	STANDARD WALL SWITCH & 20FT OF WIRE
GA-010-694	BURNER
WS-010-586	PILOT TUBE c/w FITTINGS
WS-455-053	NATURAL GAS PILOT ORIFICE
WS-455-052	PROPANE GAS PILOT ORIFICE
WS-455-056	#50 NATURAL GAS MAIN ORIFICE
WS-455-057	#58 PROPANE GAS MAIN ORIFICE
WS-725-25	NATURAL GAS VALVE
WS-725-26	PROPANE GAS VALVE
WS-010-575	PROPANE GAS PILOT ASSEMBLY
WS-010-574	NATURAL GAS PILOT ASSEMBLY
WS-357-01	PIEZO IGNITER
WS-680-04	THERMOPILE
WS-680-008	THERMOCOUPLE
WS-573-008	HIGH TEMPERATURE SEALANT - 3 OZ
GL-626	LOG SET c/w GLOWING EMBERS
GD-361.16	GLOWING EMBERS
GA-GI-550.01	CHARCOAL EMBERS
GA-135.080	LOG #1
GA-135.079	LOG #2
GA-135.078	LOG #3
GA-135.077	LOG #4
GA-135.081	LOG #5
WS-385-33	NAPOLEON LOGO
GA-010-612	FIRESTOP SPACER



ACCESSORIES *Use only accessories designed*

for and listed with the GD15 model.

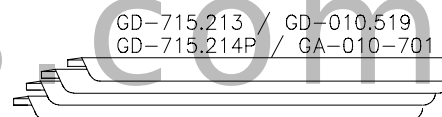
PART NO.	DESCRIPTION
GD-101	WINDSHIELD KIT
GD-301	HEAT GUARD
GD-303	VINYL SIDING SHIELD
GD10.370	WALL SUPPORT ASSEMBLY
GZ550-1KT	BLOWER KIT
GD230-K	WEBBED ARCH DOOR FACIA - BLACK
GD2-33PB	2" TRIM KIT - POLISHED BRASS
GD4-33PB	4" - 3D TRIM KIT - POLISHED BRASS
GD200-PB	TOP/BOTTOM DOOR TRIM KIT - POLISHED BRASS
WS-175-053	DURA-VENT ZERO CLEARANCE ADAPTOR
WS175-13	7" COUPLER
WS175-1	4" COUPLER
KB35	VARIABLE SPEED SWITCH
WS-500-33	V.S.S. MOUNTING PLATE FOR WALL SWITCH
WS-585-072	VENT PIPE SHIELD
WS-690-1	MILLIVOLT THERMOSTAT
WS-660-010	REMOTE CONTROL - ADVANTAGE
WS-660-011	REMOTE CONTROL - ADVANTAGE PLUS
WS-660-2	HAND HELD WIRELESS REMOTE SWITCH
WS-585-071	VENT PIPE COLLAR
WS-573-008	HI-TEMPERATURE SEALANT 3 OZ
GA-010-612	FIRE STOP SPACER
GA-010-701	BLACK PAINTED LOWER LOUVRE ASSEMBLY
GD-010-519	POLISHED BRASS LOWER LOUVRE ASSEMBLY
GD-715.214P	BLACK PAINTED UPPER LOUVRE
GD-715.213	POLISHED BRASS UPPER LOUVRE



FLEXIBLE VENT KITS

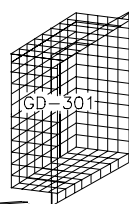
GD220 (5 FT)

PART NO.	DESCRIPTION
GD-010.397	4" FLEX ALUMINUM LINER -(5 FT) C/W SPACERS
WS-410-17	7" FLEX ALUMINUM LINER -(5 FT)



GD330 (10 FT)

PART NO.	DESCRIPTION
GS10.300	4" FLEX ALUMINUM LINER - (10 FT) C/W SPACERS
WS-410-0187"	FLEX ALUMINUM LINER -(10 FT)
GD10.370	WALL SUPPORT ASSEMBLY



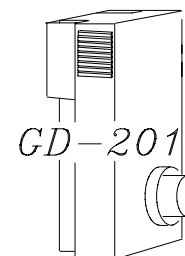
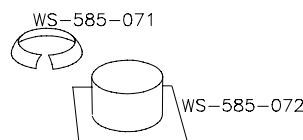
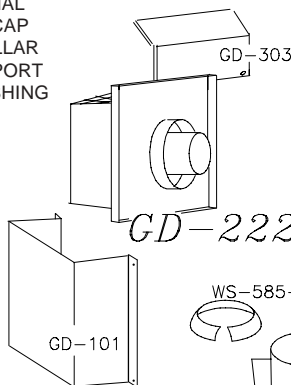
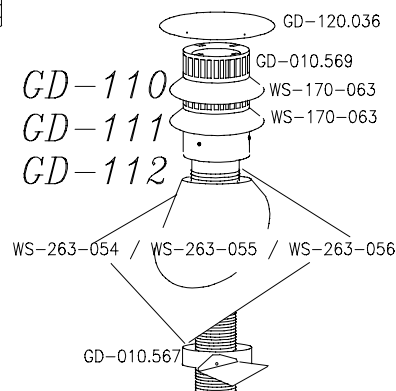
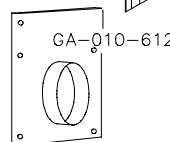
TERMINAL KITS

PERISCOPE	- GD-201
WALL TERMINAL KIT	- GD-222

ROOF TERMINAL KITS:

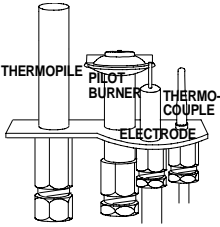
1/12 TO 7/12 PITCH	- GD-110
8/12 TO 12/12 PITCH	- GD-111
FLAT ROOF	- GD112

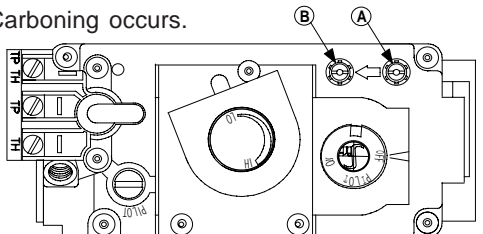
PART NO.	DESCRIPTION
GD-010.569	AIR TERMINAL
GD-120.036	VERTICAL CAP
WS-170-063	STORM COLLAR
GD-010.567	ROOF SUPPORT
WS-263-054 / WS-263-055 / WS-263-056	ROOF FLASHING



TROUBLE SHOOTING GUIDE

BEFORE ATTEMPTING TO TROUBLESHOOT, PURGE YOUR UNIT AND INITIALLY LIGHT THE PILOT AND THE MAIN BURNER WITH THE GLASS DOOR REMOVED.

SYMPTOM	PROBLEM	TEST SOLUTION	
Pilot goes out while standing; Main burner is in 'OFF' position.	Gas piping is undersized.	<ul style="list-style-type: none"> - turn on all gas appliances and see if pilot flame flutters, diminishes or extinguishes, especially when main burner ignites. Monitor appliance supply working pressure. - check if supply piping size is to code. Correct all undersized piping. 	
Pilot goes out when the gas knob is released. The gas valve has an interlock device which will not allow the pilot burner to be lit until the thermocouple has cooled. Allow approximately 60 seconds for the thermocouple to cool.	System is not correctly purged.	- purge the gas line with the glass door removed.	
	Out of propane gas.	- fill the tank.	
	Pilot flame is not large enough	- turn up the pilot flame.	
	Pilot flame is not engulfing the thermocouple.	- gently twist the pilot head to improve the flame pattern around the thermocouple.	
	Thermocouple shorting / faulty.	<ul style="list-style-type: none"> - loosen and tighten thermocouple. - clean thermocouple and valve connection. - replace thermocouple. - replace valve. 	
Pilot burning; no gas to main burner; gas knob is on 'HI'; wall switch / thermostat is on.	Faulty valve.	- replace.	
	Thermostat or switch is defective.	- connect a jumper wire across the wall switch terminals; if main burner lights, replace switch / thermostat.	
	Wall switch wiring is defective.	- disconnect switch wires from valve & connect a jumper wire across terminals 1 & 3; if the main burner lights, check the wires for defects and / or replace wires.	
	Main burner orifice is plugged.	- remove stoppage in orifice.	
	Faulty valve.	- replace.	
Pilot will not light.	No spark at pilot burner	<ul style="list-style-type: none"> - check if pilot can be lit by a match - check that the wire is connected to the push button ignitor. - check if the push button ignitor needs tightening. - replace the wire if the wire insulation is broken or frayed. - replace the electrode if the ceramic insulator is cracked or broken. - replace the push button ignitor. 	
		Out of propane gas	- fill the tank.
		Spark gap is incorrect	- spark gap should be 0.150" to 0.175" (5/32" to 11/64" approx.) from the electrode tip and the pilot burner. To ensure proper electrode location, tighten securing nut (finger tight plus 1/4 turn).
		No gas at the pilot burner	<ul style="list-style-type: none"> - check that the manual valve is turned on. - check the pilot orifice for blockage. - replace the valve. - call the gas distributor.
		Main burner goes out; pilot stays on.	Pilot flame is not large enough or not engulfing the thermopile
Thermopile shorting	<ul style="list-style-type: none"> - clean thermopile connection to the valve. Reconnect. - replace thermopile / valve. 		
Remote wall switch wire is too long; too much resistance in the system.	- shorten wire to correct length or wire gauge.		
Faulty thermostat or switch.	- replace.		

SYMPTOM	PROBLEM	TEST SOLUTION
Main burner goes out; pilot goes out.	Refer to "MAIN BURNER GOES OUT; PILOT STAYS ON"	
	Vent is blocked	- check for vent blockage.
	Vent is re-circulating	- check joint seals and installation.
	4" flexible vent has become disconnected from fireplace.	- re-attach to fireplace.
Flames are consistently too large or too small. Carboning occurs.	Unit is over-fired or under-fired.	- check pressure readings: Inlet pressure can be checked by turning screw (A) counter-clockwise 2 or 3 turns and then placing pressure gauge tubing over the test point. Gauge should read 7" (minimum 4.5") water column for natural gas or 13" (11" minimum) water column for propane. Check that main burner is operating on "HI". Outlet pressure can be checked the same as above using screw (B). Gauge should read 3.5" water column for natural gas or 10" water column for propane. Check that main burner is operating on "HI". AFTER TAKING PRESSURE READINGS, BE SURE TO TURN SCREWS CLOCKWISE FIRMLY TO RESEAL. DO NOT OVERTORQUE. Leak test with a soap and water solution.
		
Carbon is being deposited on glass, logs or combustion chamber surfaces.	Air shutter has become blocked	- ensure air shutter opening is free of lint or other obstructions.
	Flame is impinging on the logs or combustion chamber.	- check that the logs are correctly positioned. - open air shutter to increase the primary air. - check the input rate: check the manifold pressure and orifice size as specified by the rating plate values. - check that the door gasketing is not broken or missing and that the seal is tight. - check that both 4" and 7" vent liners are free of holes and well sealed at all joints. - check that minimum rise per foot has been adhered to for any horizontal venting.
White / grey film forms.	Sulphur from fuel is being deposited on glass, logs or combustion chamber surfaces.	- clean the glass with a gas fireplace glass cleaner. DO NOT CLEAN GLASS WHEN HOT. If deposits are not cleaned off regularly, the glass may become permanently marked.
Exhaust fumes smelled in room, headaches.	Fireplace is spilling.	- check door seal and relief flap seal. - check for chimney blockage - check that chimney is installed to building code. - room is in negative pressure; increase fresh air supply.
Flames are very aggressive.	Door is ajar	- tighten screws holding door in place
Main burner flame is a blue, lazy, transparent flame.	Blockage in vent.	- remove blockage. In really cold conditions, ice buildup may occur on the terminal and should be removed as required.
	Incorrect installation.	- refer to Figure 15 to ensure correct location of storm collars.
Remote wall switch is in "OFF" position; main burner comes on when gas knob is turned to "ON" position.	Wall switch is mounted upside down	- reverse.
	Remote wall switch is grounding.	- replace.
	Remote wall switch wire is grounding.	- check for ground (short); repair ground or replace wire.
	Faulty valve.	- replace.

NOTES:

fire-parts.com