

**IMPORTANT:  
THESE INSTRUCTIONS ARE TO  
REMAIN WITH THE  
HOMEOWNER**

**FOR YOUR SAFETY**

**WARNING:** If the information in this manual is not followed exactly, a fire or explosion may result causing property damage, personal injury or loss of life.

-- Do not store or use gasoline or other flammable vapors and liquids in the vicinity of this or any other appliance.

**-- WHAT TO DO IF YOU SMELL GAS**

- Do not try to light any appliance.
- Do not touch any electrical switch; do not use any phone in your building.
- Immediately call your gas supplier from a neighbour's phone. Follow the gas supplier's instructions.
- If you cannot reach your gas supplier, call the fire department.

-- Installation and service must be performed by a qualified installer, service agency or the gas supplier.

This appliance may be installed in an aftermarket permanently located, manufactured (mobile) home, where not prohibited by local codes.

This appliance is only for use with the type of gas indicated on the rating plate. This appliance is not convertible for use with other gases, unless a certified kit is used.



*The Estate*



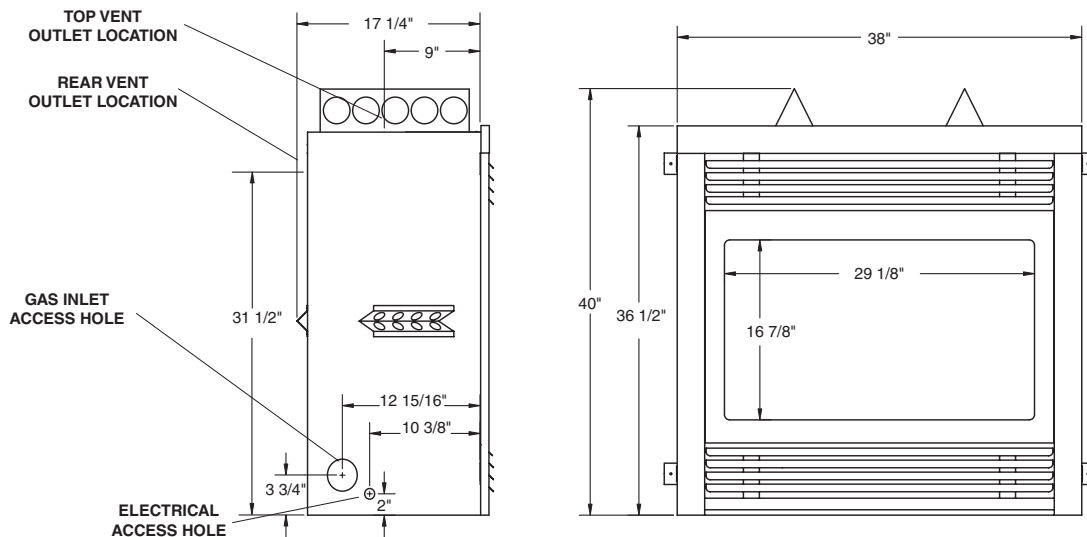
**SERIES H  
DIRECT VENT FIREPLACE**

**ESTH.BODYAM**

**INSTALLATION  
AND OPERATING  
INSTRUCTIONS**

# CONTENTS

CAUTION.....	3
MASSACHUSETTS RULES AND REGULATIONS.....	4
REQUIREMENTS.....	5
CHASE INSULATION .....	6
FRAMING WITHOUT SCREEN DOOR.....	7
FRAMING FOR SCREEN DOOR.....	8
HEARTH EXTENSION .....	8
PROPANE CONVERSION .....	9
TOP OR REAR VENT .....	13
VENT ADAPTER INSTALLATION .....	13
VENTING.....	14
ROOF TERMINATION VENTING AND VENT RESTRICTOR .....	15
VENT CONNECTION.....	16
VENT EXTENSION .....	17
VENT TERMINAL INSTALLATION .....	18
ROOF VENT TERMINAL INSTALLATION .....	19
OPTIONAL VENTING .....	21
OPTIONAL SNORKEL VENT TERMINAL.....	24
MANUFACTURED (MOBILE) HOME .....	25
GAS SUPPLY .....	25
REMOTE CONTROL INSTALLATION .....	25
BURNER REMOVAL.....	26
OPTIONAL BRICK PANELS INSTALLATION.....	26
LOG SET ASSEMBLY.....	27
OPTIONAL BLOWER .....	29
SCREEN DOOR INSTALLATION.....	30
FIRST FIRE .....	31
MANUAL OPERATION .....	31
LIGHTING INSTRUCTIONS.....	31
REMOTE OPERATION .....	32
PRIMARY AIR ADJUSTMENT.....	32
REPLACEMENT PARTS.....	33
BURNER REPLACEMENT PARTS .....	34
APPENDIX A.....	35
Louver Installation Guide .....	35
Wall Termination Kit .....	36
Roof Termination Kit .....	37
5' Vent Pipe Kit.....	38
10' Vent Pipe Kit.....	39
Safety Label.....	43



## CAUTION

**FOR YOUR SAFETY** - Do not install or operate your Pacific Energy Gas Stove without first reading and understanding this manual. Any installation or operational deviation from the following instructions voids the Pacific Energy Gas Stove Warranty and may prove hazardous.

This appliance and its individual shutoff valve must be disconnected from gas supply piping system during any pressure testing of that system at test pressures in excess of 1/2 psig. (3.5 kPa)

This appliance must be isolated from the gas supply piping system by closing its individual manual shutoff valve during any pressure testing of the gas supply piping system at test pressures equal to or less than 1/2 psig. (3.5 kPa)

Note: When lit for the first time, the appliance will emit a slight odour for a couple of hours. This is due to the curing of paints, sealants and lubricants used in the manufacturing process. This condition is temporary. Open doors and windows to ventilate area. Smoke and fumes caused by the curing process may cause discomfort to some individuals.

## SAFETY

**Due to high temperatures, this gas appliance should be located out of traffic and away from furniture and draperies.**

**Children and adults should be alerted to the hazards of high surface temperature and should stay away to avoid burns or clothing ignition.**

**Young children should be carefully supervised when they are in the same room as the appliance.**

**Clothing or other flammable material should not be placed on or near the appliance.**

**Any grill, panel or door removed for servicing the unit must be replaced prior to operating. Failure to do so may create a hazardous condition.**

**Installation and repair should be done by a qualified service person. The appliance should be inspected before use and at least annually by a professional service person. More frequent cleaning may be required due to excessive lint from carpeting, bedding material, etc. It is imperative that control compartments, burners and circulating air passageways of the appliance be kept clean.**

**It is Pacific Energy's policy that no responsibility is assumed by the Company or by any of its employees or representatives for any damages caused by an inoperable, inadequate, or unsafe condition which is the result, either directly or indirectly, of any improper operation or installation procedures.**

## MAINTENANCE

**Caution:** Turn off gas and electrical power supply and allow ample time for unit to cool before servicing appliance. It is recommended that this appliance and venting should be inspected at least once a year by a qualified service person.

Do not use this heater if any part has been under water. Immediately call a qualified service technician to inspect the heater and to replace any part of the control system and any gas control which has been under water.

### Glass Panel:

**Warning:** Do not operate the appliance with the glass panel removed, cracked or broken. Replacement of the glass panel should be done by a licensed or qualified service person. Do not strike or otherwise impact the glass in anyway that may cause it to break. If the glass becomes cracked or broken, it must be replaced before using the fireplace. Replacement glass can be obtained from your nearest Pacific Energy dealer. The size required is 31-1/4" x 19" x 5mm. Use ceramic glass only. **Do not substitute with any other type.**

To remove broken glass, fold down the front bottom louver to access the screw retaining the decorative window trim overlay if installed. Remove the screw and swing the bottom out to clear. Lift to disengage from the top and remove. Place on a smooth surface to avoid scratching. Disengage the over-center latches by pulling each lever down and forward. Grasp the sides of the frame and swing the bottom out to clear. Lift up and forward to disengage from the top. Place the glass frame assembly in a safe place to avoid damage. Remove all particles of glass. Be careful as they are very sharp. Install new glass complete with gasket. Replace frame and screws.

### Annual Inspection:

- Clean louvers and air passage ways of excessive lint buildup from carpeting, bedding material, etc. The flow of combustion and ventilation air must not be obstructed.
- Remove glass panel and log set. Inspect logs and burner assembly for lint and soot buildup. If excessive buildup of soot is present, have a qualified service person inspect and adjust unit for proper combustion. Clean logs and burner with a vacuum cleaner, paying close attention to burner ports.
- Ensure pilot is free of lint and dust. Check the pilot system for proper flame size and operation. (See Fig. #1)
- Check that the vent pipe and vent terminal are open and free from blockage or debris. If the venting is disassembled for cleaning, it must be properly assembled and resealed. Refer to VENTING section for proper procedure.
- Check glass panel gasket, replace if necessary. It is important that the glass seal be maintained in good condition

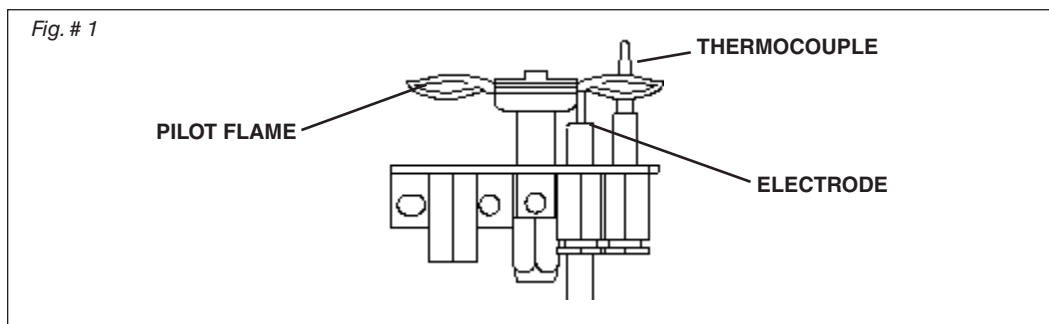
**Note:** The appliance area must be kept clear and free from combustible materials, gasoline and other flammable vapours and liquids.

### Periodically:

- Viewing glass may be cleaned with fireplace glass cleaner.
- Exterior finish may be cleaned with soap and water.

### Caution:

- do not use abrasive cleaners on glass or any other part of the fireplace.
- do not clean glass when hot



# Important Note for the Commonwealth of Massachusetts:

From Massachusetts Rules and Regulations 248 CMR 5.08:

(a) For all side wall horizontally vented gas fuelled equipment installed in every dwelling, building or structure used in whole or in part for residential purposes, including those owned or operated by the Commonwealth and where the side wall exhaust vent termination is less than seven (7) feet above finished grade in the area of the venting, including but not limited to decks and porches, the following requirements shall be satisfied.

1. **INSTALLATION OF CARBON MONOXIDE DETECTORS.** At the time of installation of the side wall horizontal vented gas fuelled equipment, the installing plumber or gasfitter shall observe that a hard wired carbon monoxide detector with an alarm and battery back-up is installed on the floor level where the gas equipment is to be installed, in addition, the installing plumber or gasfitter shall observe that a battery operated or hard-wired carbon monoxide detector with an alarm is installed on each additional level of the dwelling, building or structure served by the side wall horizontal vented gas fuelled equipment. It shall be the responsibility of the property owner to secure the services of qualified licensed professionals for the installation of hard-wired carbon monoxide detectors.

a. In the event that the side wall horizontally vented gas fuelled equipment is installed in a crawl space or an attic, the hard-wired carbon monoxide detector with alarm and battery back-up may be installed on the next adjacent floor level.

b. In the event that the requirements of this subdivision cannot be met at the time of completion of installation, the owner shall have a period of thirty (30) days to comply with the above requirements; provided, however, that during said thirty (30) day period, a battery operated carbon monoxide detector with an alarm shall be installed.

2. **APPROVED CARBON MONOXIDE DETECTORS.** Each carbon monoxide detector as required in accordance with the above provisions shall comply with NFPA 720 and be ANSI/UL 2034 listed as IAS certified.

3. **SIGNAGE.** A metal or plastic identification plate shall be permanently mounted to the exterior of the building at a minimum height of eight (8) feet above grade directly in line with the exhaust vent terminal for the horizontally vented gas fuelled heating appliance or equipment. The sign shall read, in print size no less than one-half (1/2) inch in size, "GAS VENT DIRECTLY BELOW. KEEP CLEAR OF ALL OBSTRUCTIONS".

4. **INSPECTION.** The state or local gas inspector of the side wall horizontally vented gas fuelled equipment shall not approve the installation unless, upon inspection, the inspector observes carbon monoxide detectors and signage installed in accordance with the provisions of 248 CMR 5.089(2)(a) 1 through 4.

(b) **EXEMPTIONS.** The following equipment is exempt from 248 CMR 5.089(2)(a) 1 through 4.

1. The equipment listed in Chapter 10 entitled "Equipment Not Required To Be Vented" in the most current edition of NFPA 54 as adopted by the Board; and

2. Product Approved side wall horizontal vented gas fuelled equipment installed in a room or structure separate from the dwelling, building or structure used in whole or in part for residential purposes.

(c) **MANUFACTURER REQUIREMENTS – GAS EQUIPMENT VENTING SYSTEM PROVIDED.** When the manufacturer of Product Approved side wall horizontally vented gas equipment provides a venting system design or venting system components with the equipment, the instructions provided by the manufacturer for installation of the equipment and the venting system shall include:

1. Detailed instructions for the installation of the venting system design or the venting system components; and

2. A complete parts list for the venting system design or venting system.

(d) **MANUFACTURER REQUIREMENTS – GAS EQUIPMENT VENTING SYSTEM NOT PROVIDED.** When the manufacturer of a Product Approved side wall horizontally vented gas fuelled equipment does not provide the parts for venting the fuel gases, but identifies "special venting systems", the following requirements shall be satisfied by the manufacturer.

1. The referenced "special venting system" instructions shall be included with the appliance or equipment installation instructions; and

2. The "special venting systems" shall be Product Approved by the Board, and the instructions for that system shall include a parts list and detailed installation instructions.

(e) A copy of all installation instructions for all Product Approved side wall horizontally vented gas fuelled equipment, all venting instructions, all parts lists for venting instructions, and/or all venting design instructions shall remain with the appliance or equipment at the completion of the installation.

## INSTALLATION REQUIREMENTS

The Estate Fireplace installation and venting must conform to the current CAN/CGA-B149 installation code (in Canada) or the National Fuel Gas Code, ANSI Z223.1 -1988 (in the USA), and approved per local codes. Only qualified (licensed or trained) personnel should install this product.

The Estate Fireplace is designed to be framed at zero clearance to combustible material with conventional lumber. Ensure framing dimensions are maintained during construction.

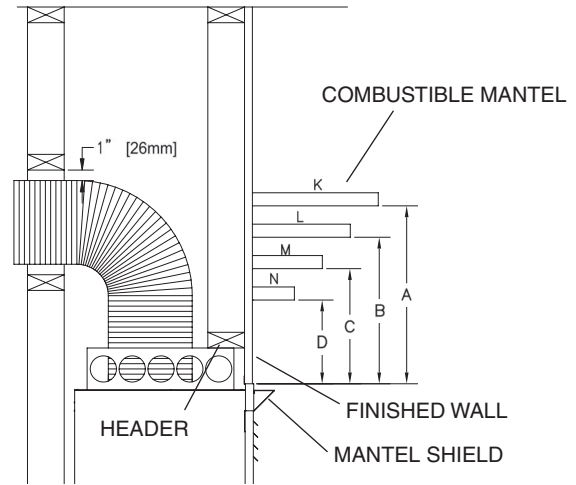
**NOTE:** If a screen front is installed, cement board will be required on the front face, see required clearances on the following page, and the Screen Front Framing Section.

### Minimum Clearances to Combustibles:

Side standoffs.....	0 in.	(0 mm)
Back standoffs.....	0 in.	(0 mm)
Top standoffs.....	0 in.	(0 mm)
Adjacent sidewall.....	6 in.	(152 mm)
Ceiling to appliance.....	35 1/2 in.	(902 mm)
Mantel to appliance.....	17 in.	(432 mm)
Maximum mantel extension.....	12 in.	(305 mm)
With Mantel Shield.....	See Figure # 3	
Mantel support (3 1/2" wide max.).....	0 in.	(0 mm)
Pacific Energy Vent pipe.....	1 in.	(25 mm)
Simpson Dura-Vent GS pipe.....	1-3/4 in.	(45 mm)

Fig. # 3

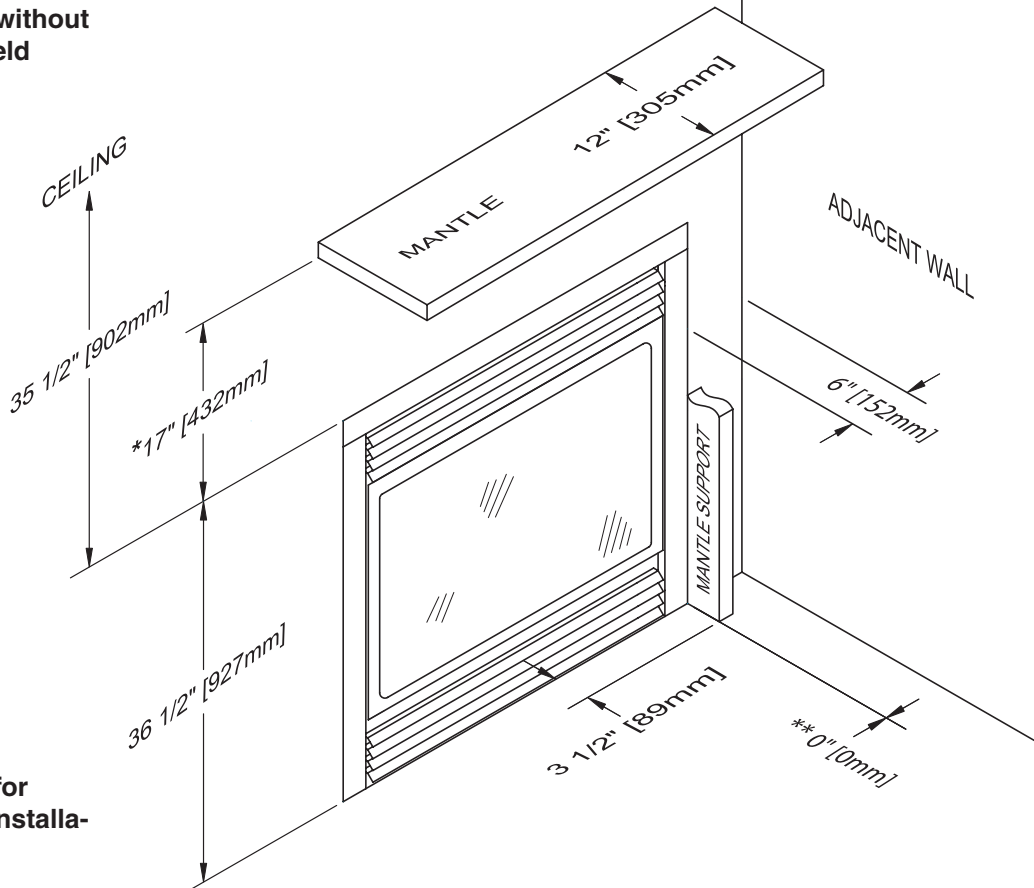
### MANTEL CLEARANCES WITH MANTEL SHIELD



Ref.	Mantel Width	Ref.	Clearance
K	12" (305 mm)	A	17" (432 mm)
L	9 1/4" (235 mm)	B	14" (356 mm)
M	6 5/8" (168 mm)	C	11" (279 mm)
N	4" (102 mm)	D	8" (203 mm)

Fig. # 2

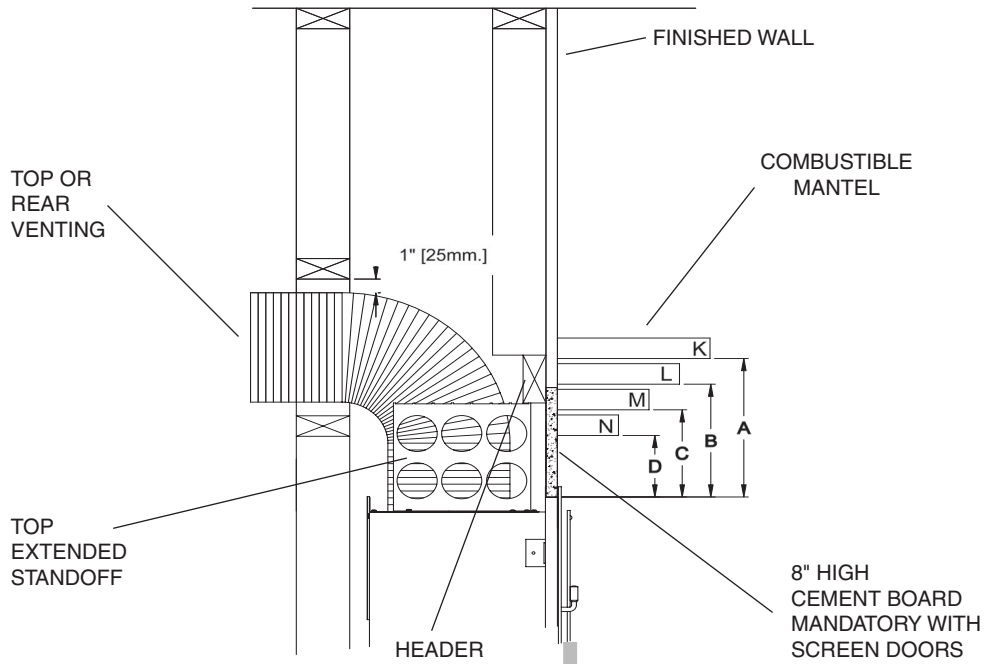
### \*Clearance without mantel shield



\*\*Allow 1/2" for Screen Door Installations

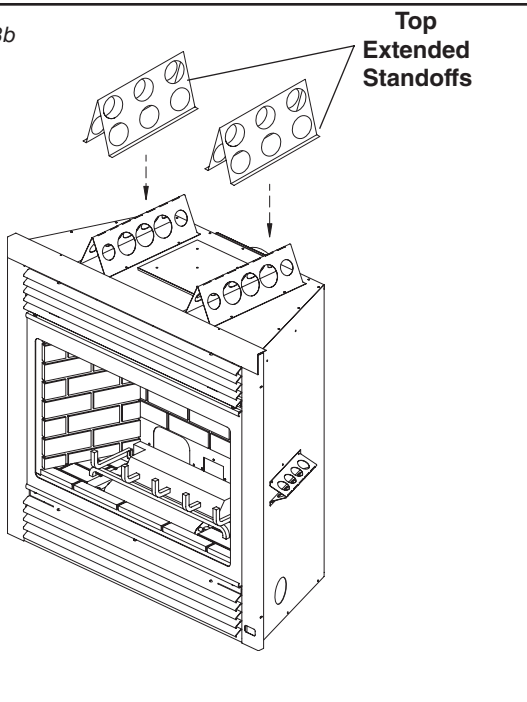
Fig. # 3a

### MANTEL CLEARANCES WITH OPTIONAL SCREEN FRONT



Ref.	Mantel Width	Ref.	Clearance Top Edge of Screen	Clearance Top Edge of Unit
K	12" (305 mm)	A	16 1/4" (413 mm)	17" (432 mm)
L	9 1/4" (235 mm)	B	13 1/4" (337 mm)	14" (356 mm)
M	6 5/8" (168 mm)	C	10 1/4" (260 mm)	11" (280 mm)
N	4" (102 mm)	D	7 1/4" (184 mm)	8" (203 mm)

Fig. # 3b



#### OPTIONAL SCREEN DOOR TOP STANDOFFS

The Estate Fireplace is shipped with the short top standoffs in place and the extended top standoffs loose. If the Optional Screen Door is to be installed, the short standoffs must be replaced with the extended standoffs.

- 1) Remove the four screws attaching each top standoff in place and remove the standoffs.
- 2) Position extended top standoffs in the same place and attach with the four screws.

#### CHASE INSULATION

When installing this fireplace against a non-insulated exterior wall or chase, it is recommended that the outer walls be insulated to same degree as other exterior walls. Do not place the fireplace directly against the insulation. Cover the insulation and plastic vapour barrier with a solid surface, such as drywall (sheetrock). Consult local codes.

## FRAMING WITHOUT SCREEN DOOR

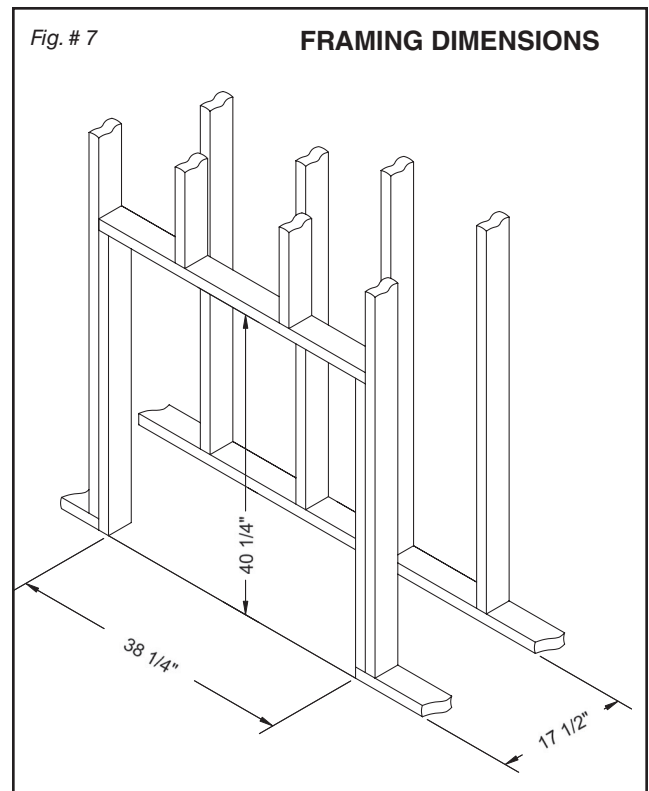
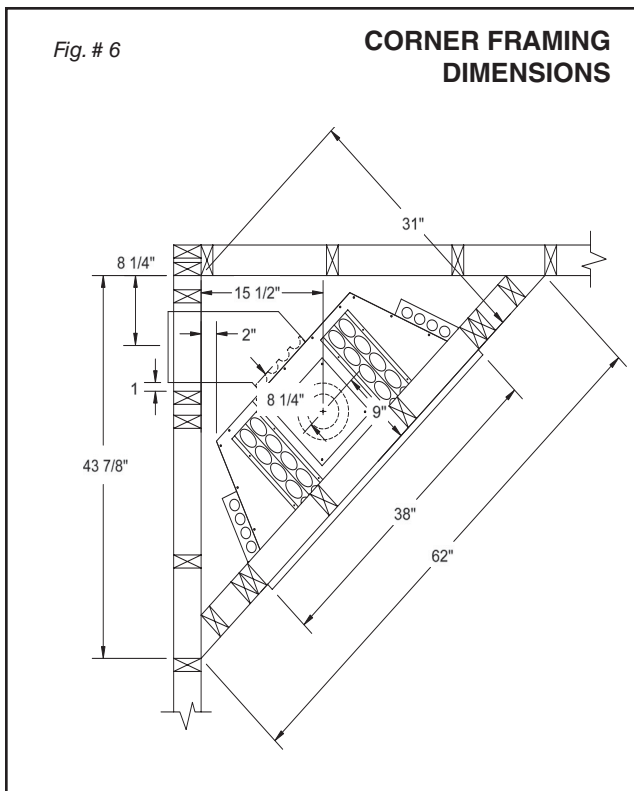
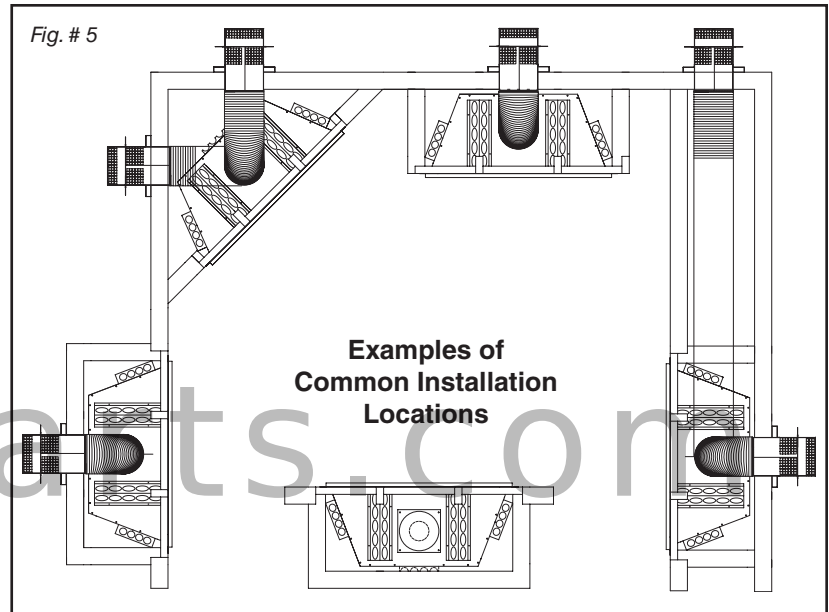
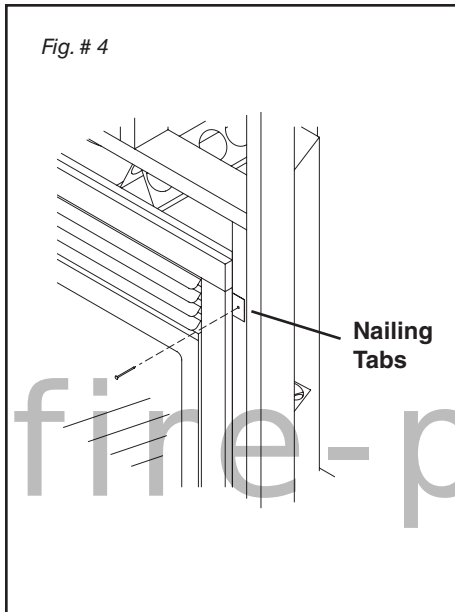
In planning the installation for the Estate Fireplace, it is necessary to determine where the unit is to be installed, location of vent system and where gas supply piping may be plumbed. It may be installed into an existing wall, a corner, a built-in wall or a wall projection. (see Fig. # 5) Due to high temperatures, do not locate this appliance in areas of high traffic or near furniture or draperies.

Once the final location has been determined, frame a minimum opening of 38-1/4 inches wide, 40-1/4 inches high and 17-1/2 inches deep with conventional 2 x 4 lumber. (see Fig. # 6 and # 7) It may be preferred to frame the fireplace after it is positioned and the vent system is installed. Heavier construction may be required for some

installations, consult local building codes for specific requirements. Ensure framing dimensions are maintained during construction.

Bend out the two nailing tabs on each side and secure the fireplace to framing with screws or nails. (see Fig. # 4) The tabs will allow for a 3/4 inch thick finishing wall. The wall may be finished up to the fireplace facing with combustible material. (see Fig. # 3)

The minimum clearances from the appliance to combustible surfaces are shown on Fig. # 2 and # 3. Adequate clearances around air openings and combustion air supplies are required. If installing a screen front, see required clearances in that section.



## FRAMING FOR SCREEN DOOR

In planning the installation for the Estate Fireplace, it is necessary to determine where the unit is to be installed, and where the location of vent system and gas supply piping may be plumbed. Various installations are possible, such as, into an existing wall, a corner, a built-in wall or a wall projection (see Fig. #5). Due to high temperatures, do not locate this fireplace in areas of high traffic or near furniture or draperies.

Once the final location has been determined, frame a minimum opening of 38-1/4 inches wide, 44-1/4 inches high and 17-1/2 inches deep with conventional 2 x 4 lumber (see Fig. #6 & 7a). It may be preferred to frame the fireplace after it is positioned and the vent system is installed. Heavier construction may be required for some installations, consult local building codes for specific requirements. Ensure framing dimensions are maintained during construction.

Bend out the two nailing tabs on each side and secure the fireplace to framing with screws or nails (see Fig. #4). The tabs will allow for a finishing wall up to 3/4 inch thick, if thicker, unit must be spaced outwards accordingly.

Due to higher temperatures with the Screen Door, concrete board (or other non-combustible material) must be used to sheet in the front of the fireplace. The concrete board must extend 8" above and 2" down the side of the unit. See figure #7b. Standard sheetrock (drywall) may be used beyond this and up to the sides of the fireplace.

The minimum clearances from the appliance to combustible surfaces

Fig. # 7a

### FRAMING DIMENSIONS OPTIONAL SCREEN DOOR

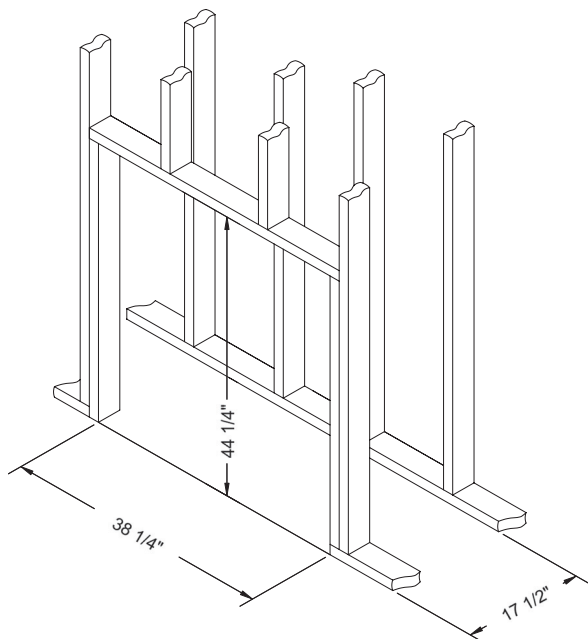
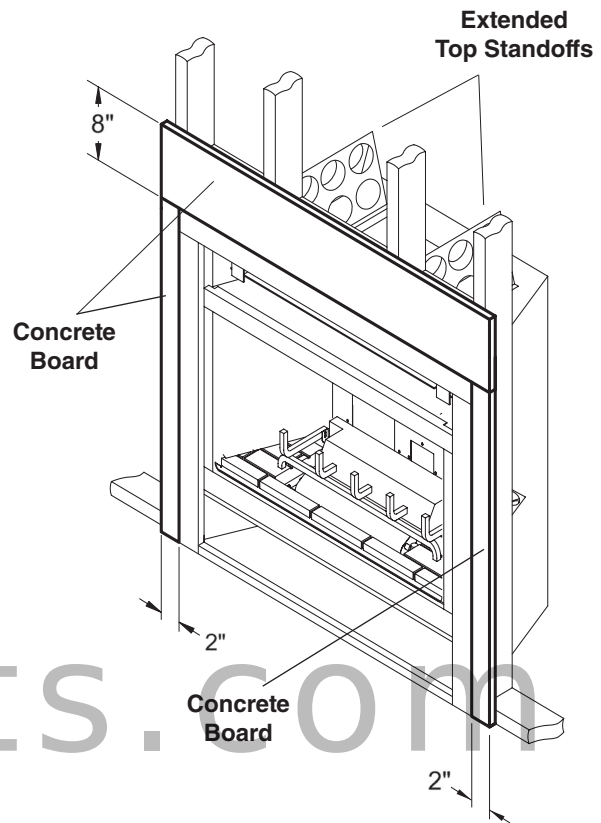


Fig. #7b

### CONCRETE BOARD DETAIL



Concrete board (or other non-combustible material) must extend 8" above and 2" down the side of the unit.

are shown on Fig. # 2 & 3a. Adequate clearances around air openings and combustion air supplies are required.

Refer to the fireplace installation manual supplied with the unit for additional requirements.

### HEARTH EXTENSION

The Estate fireplace is designed to be installed on a combustible floor. A noncombustible hearth extension is not required for this model. If one is desired, the hearth extension must be flush to the bottom of the fireplace.



## PROPANE CONVERSION

If the Estate Direct Vent Fireplace is to be used on propane, convert as follows using the components supplied with this fireplace:

**Caution:** The gas supply and electrical power must be shut off before proceeding with the conversion.

### Items Needed For Conversion:

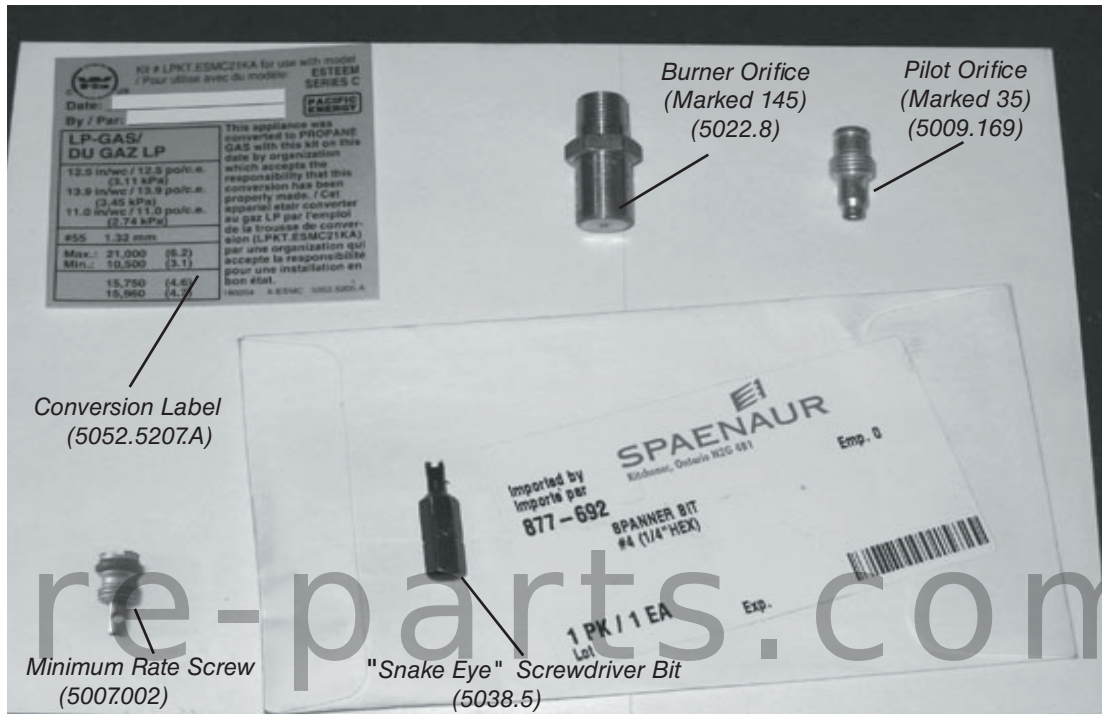
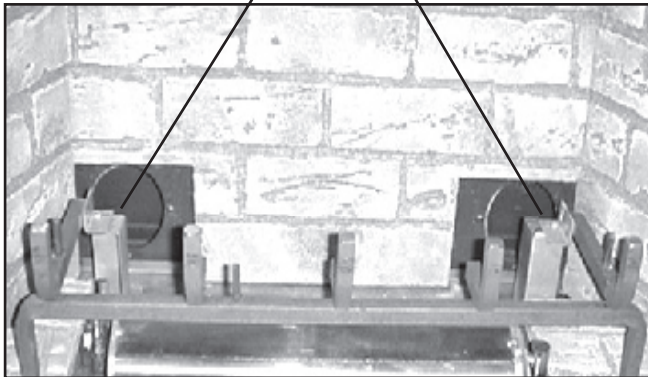


Fig. # 8

### Grate Assembly Attachment Points



### Warning:

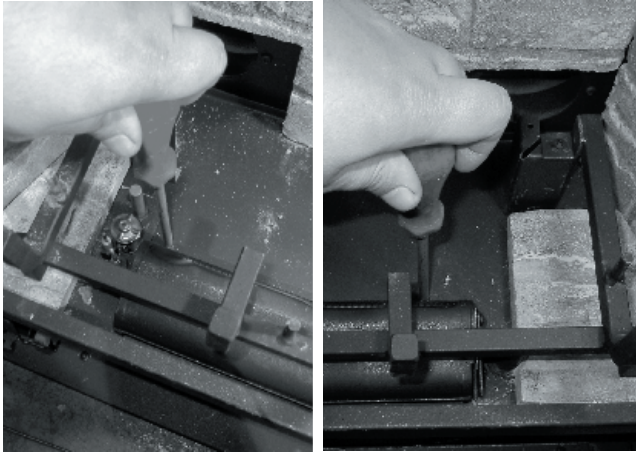
This conversion kit shall be installed by a qualified service agency in accordance with the manufacturer's instructions and all applicable codes and requirements of the authority having jurisdiction. If the information in these instructions is not followed exactly, a fire, explosion or production of carbon monoxide may result causing property damage, personal injury or loss of life. The qualified service agency is responsible for the proper installation of this kit. The installation is not proper and complete until the operation of the converted appliance is checked as specified in the manufacturer's instructions supplied with the kit.

### Burner Orifice

- 1) Ensure the burner, pilot and gas supply are turned off, and the appliance has cooled.
- 2) Note log positions and carefully remove them. (If installed)
- 3) Remove the grate assembly by removing the two screws located at the firebox rear right and left corners. (See Fig. #8)

- 4) Remove the brick panels if installed.
- 5) Remove the two screws holding the burner bracket in place. (Fig. #9)

Fig. # 9

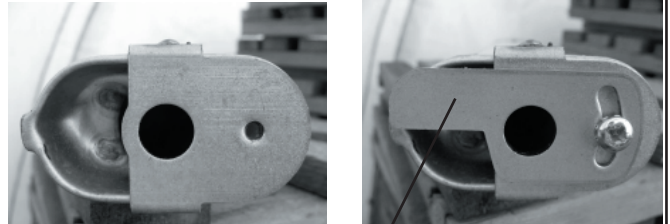


- 8) Remove fixed air shutter by removing screw. Reassemble with adjustable air shutter only. (Fig. #11)

Fig. # 11

**Propane**

**Natural Gas**



**Remove The Adjustable Shutter For LP Applications**

- 6) Remove the burner by sliding it to the left and up.
- 7) Using a 1/2" wrench, remove the natural gas orifice, (marked #39). Apply a small amount of pipe joint compound to the threads of the propane orifice (marked #145) to ensure a good seal, and install it. (Fig. #10)

### Pilot Orifice

- 1) Pull the pilot hood assembly up and off to gain access to the pilot orifice. (Fig. #12)
- 2) Remove the orifice with a 5/32" (4 mm) hex key and replace it with the one supplied with the kit. (Fig. #13) Propane pilot orifice is marked #35.
- 3) Reinstall the pilot hood assembly.
- 4) Reinstall the burner and secure.

Fig. # 10



Fig. # 12

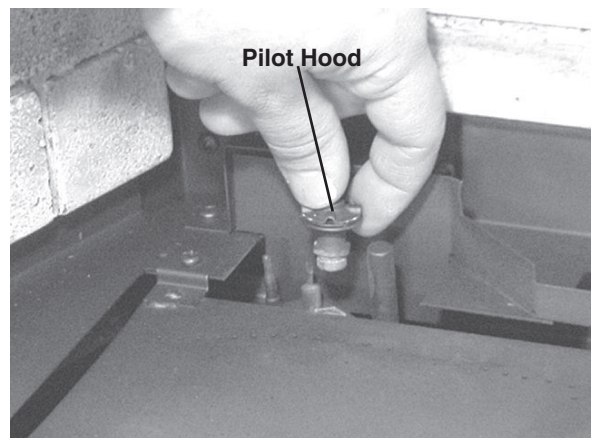
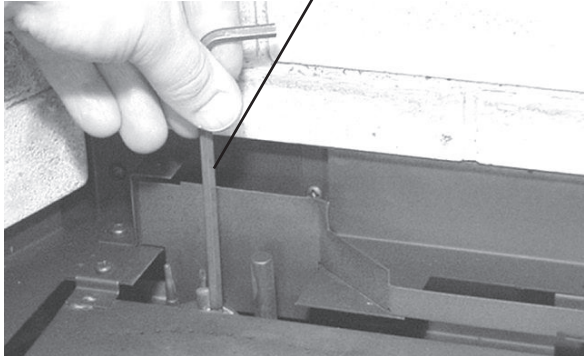


Fig. # 13

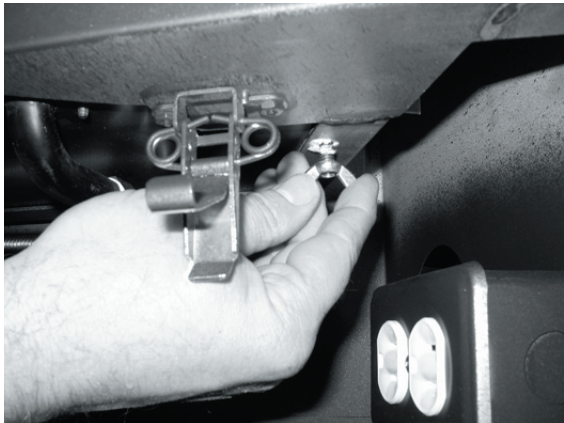
Hex Key



### Valve Conversion

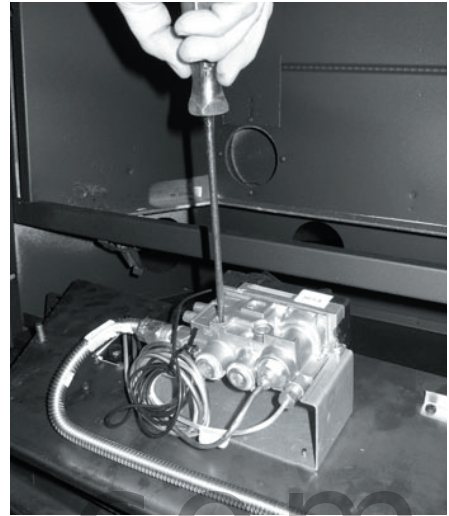
- 1) Remove gas the supply line to the burner.
- 2) Remove the two wing nuts securing the burner tray to the fireplace and remove from the fireplace. (Fig. #14)

Fig. # 14



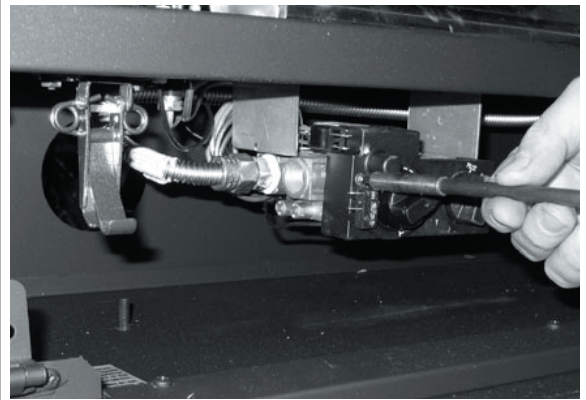
- 3) Remove the minimum rate screw from the bottom of the valve and replace with the propane one supplied. (Fig. #15)

Fig. # 15



- 4) Re secure the burner tray to fireplace using the two wing nuts, and reconnect the gas supply.
- 5) Using the "snake eye" screwdriver bit provided, remove the screw securing the front cover to the valve and remove the cover. (Fig. #16)

Fig. # 16



6) Loosen the pressure tapping screw on the valve and attach a manometer. Note the pressure tapping screw cannot be removed. (Fig.#17) The rear pressure tapping can be used to measure manifold pressure, the front pressure tapping can be used to measure supply pressure.

Fig. # 17

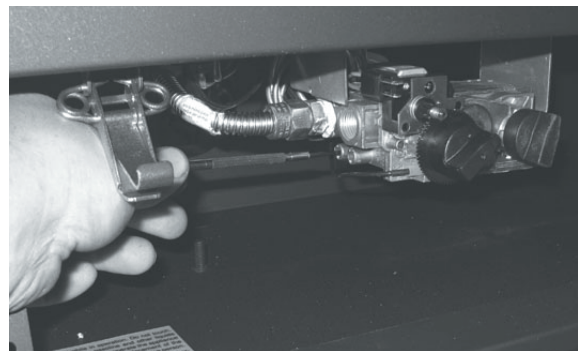
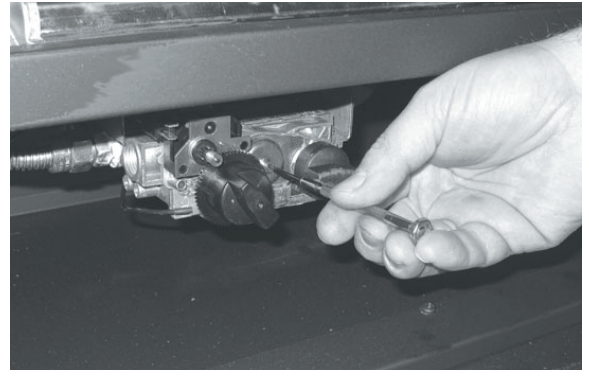
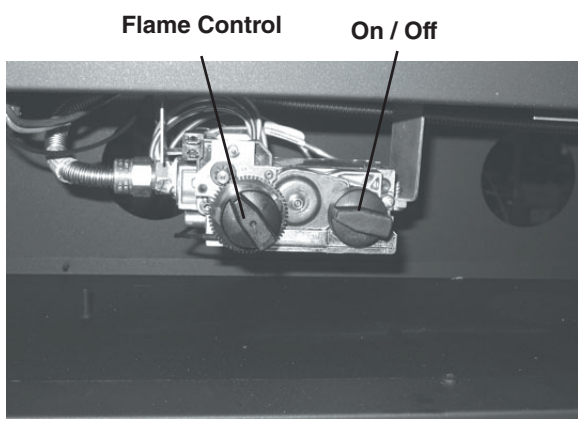


Fig. # 19



7) Light the fireplace and ensure that the "On / Off" knob and the "Flame control" knob are rotated fully anti-clockwise to the "On" position. (Fig. #18)

Fig. # 18



9) Reassemble the valve cover and all other components. Note: Ensure that the pressure tapping screw is tight.

**Light the appliance and thoroughly leak-test all connections. Verify proper burner ignition and operation.**

8) Adjust the pressure regulator by rotating the pressure adjustment screw clockwise until the correct pressure is read on the manometer. (11" wc) (Fig. #19)

**Conversion Label**

In the white area on the conversion label, fill in the date and the name of the person who performed the conversion. Peel off the protective backing and apply the conversion label directly over the gas pressure specifications on the rating label.

	Kit # LPKT.ESTH25KA for use with model / Pour utiliser avec du modÈle: <b>ESTATE SERIES H</b>
	Date: _____
By / Par: _____	
<b>LP-GAS/ DU GAZ LP</b>	
12.5 in/wc / 12.5 po/c.e. (3.11 kPa)	This appliance was converted to PROPANE GAS with this kit on this date by the organization which accepts the responsibility that this conversion has been properly made. / Cet appareil etair convertir au gaz LP par l'emploi de la trousse de conversion (LPKT.ESTH25KA) par une organization qui accepte la responsabilitÈ pour une installation en bon Ètat. 180204 6-ESTH 5052.5207.A
13.9 in/wc / 13.9 po/c.e. (3.45 kPa)	
11.0 in/wc / 11.0 po/c.e. (2.74 kPa)	
1.45 mm	
Max.: 25,000 (7.3)	
Min.: 12,500 (3.7)	

## TOP OR REAR VENT

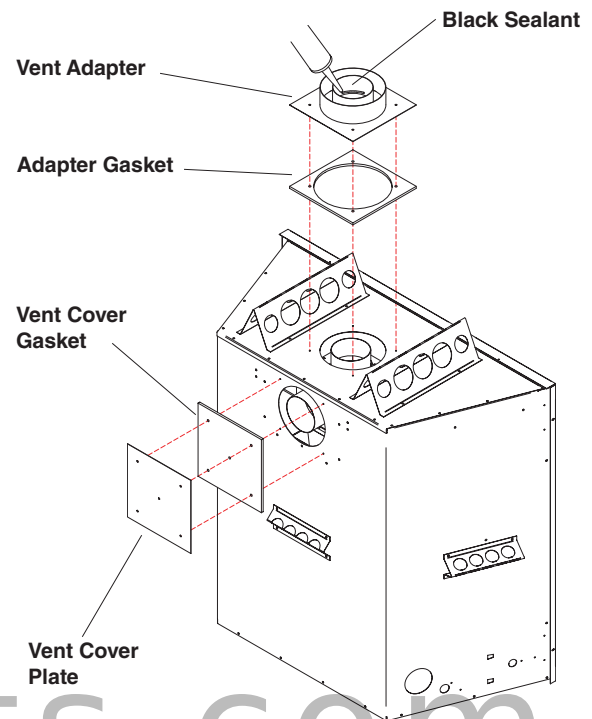
**Caution:** The vent outlet not being used for venting must be blocked with the vent cover plate and gasket.

The Estate is capable of top or rear vent applications. The fireplace is factory set for top vent application (see Fig. #20a). If you choose to use this appliance in a rear vent application you must re- install the vent cover plate and gasket on the top vent outlet (see Fig. #20b).

### Vent cover plate removal and installation.

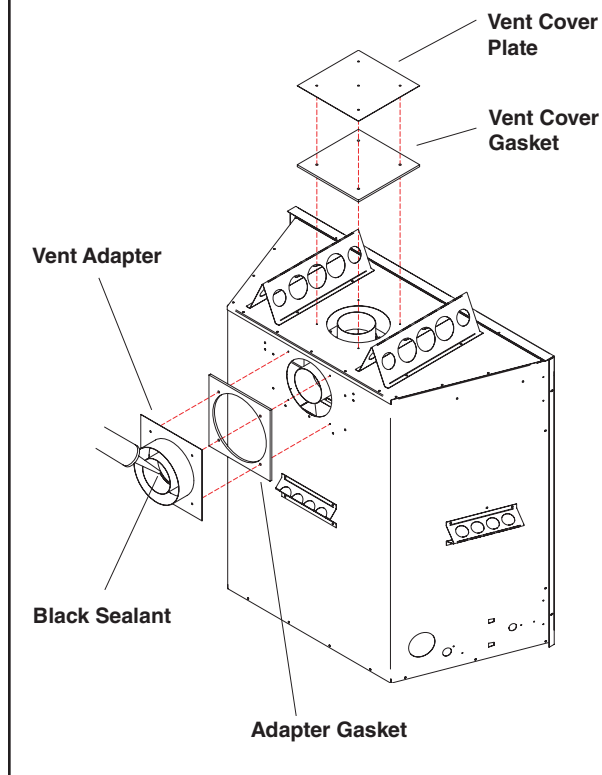
- 1) Remove the five # 8 x 1/2" sheet metal screws that attach the vent cover plate to the appliance. Remove the cover plate and gasket. Be careful not to damage the gasket.
- 2) Remove the four screws around the top vent outlet.
- 3) Place the gasket and vent cover plate over the top vent outlet.
- 4) Secure in place with screws previously removed (see Fig. #20b).

Fig. # 20a



fire-parts.com

Fig. # 20b



## VENT ADAPTER INSTALLATION

The Estate fireplace easily adapts to use either the Pacific Energy Flex Vent, or the Simpson Dura-Vent GS venting system. Each system requires a specific vent adapter. Use the Pacific Flex Vent adapter (ENCD.PEADPT) or the Dura-Vent adapter (ENCD.DVADPT).

Supplied with each adapter is a ceramic gasket (# 5068.2761) that must be used.

### Installation:

The adapter 4" pipe must be sealed to the fireplace 4" vent outlet. Failure to seal this joint may cause the fireplace to not operate properly.

- 1) Apply a bead of black sealant (supplied with the fireplace) to the inside of the flared end of adapter (See Figs. #20a & 20b).
- 2) Place the gasket and vent adapter over the vent outlet and align with attachment holes.
- 3) Secure in place with the four #8 x 1/2" sheet metal screws previously removed.

## VENTING

Before installing venting for this unit, the installer should read these instructions to ensure that the proper vent configuration has been selected.

Use only Pacific Energy vent kits #:

GASC.WALKIT - Wall Termination Kit

ESTD.ROTKIT - Roof Termination Kit

ESTD.VP05 - 5' Vent Pipe Kit

ESTD.VP10 - 10' Vent Pipe Kit

Standard roof flashing or flashing listed below may be used.

ESTD.ROFLAT - Flat Roof Flashing (flat roof)

ESTD.ROADJ - Adjustable Roof Flashing (1/12 to 7/12 pitch)

ESTD.ROSTP - Steep Roof Flashing (8/12 to 12/12 pitch)

Vent system components approved for use with the Estate Fireplace are shown in Figure # 21 and Appendix A. The Estate Fireplace is also tested and certified for use with SIMPSON DURA-VENT DIRECT VENT GS pipe (see Optional Venting section).

**NO OTHER VENTING SYSTEMS OR COMPONENTS MAY BE USED.**

Various combinations of vertical and horizontal runs may be used. Refer to Figures # 20c, 20d, & 20f for details. For optimum performance and flame appearance, keep the vent length to a minimum. Connections between each vent system component must be tightly joined and sealed, and secured with sheet metal screws at each joint. A horizontal run of vent must have a 1/4" rise for every 2 ft. of run towards the termination.

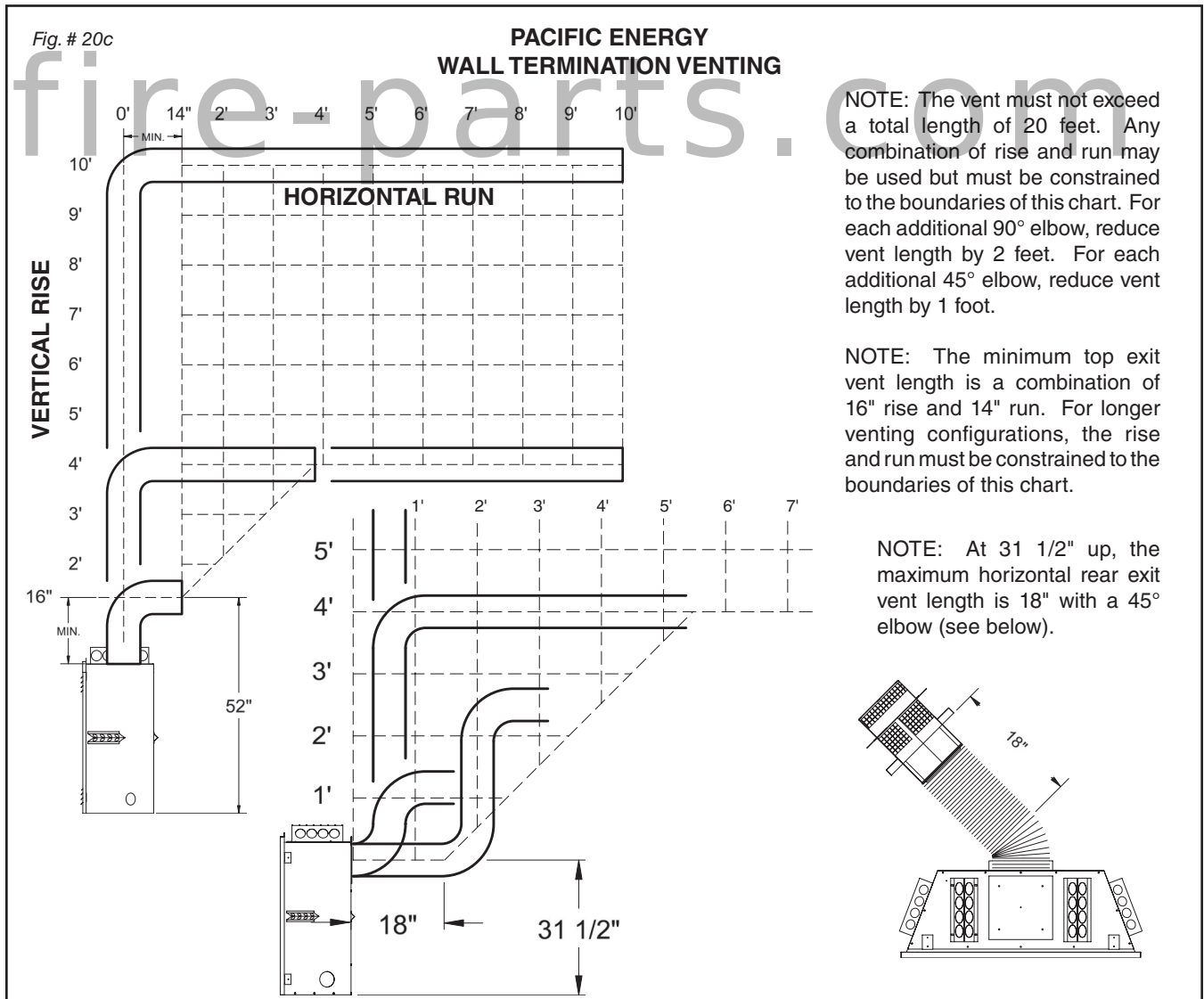
**CAUTION: UNDER NO CONDITION SHOULD COMBUSTIBLE MATERIAL BE CLOSER THAN 1 INCH FROM THE VERTICAL AND HORIZONTAL SECTIONS OF THE PACIFIC ENERGY VENT SYSTEM OR 1-3/4 INCHES FROM THE SIMPSON DURA-VENT DIRECT VENT GS SYSTEM.**

**Exterior wall opening:**

**IMPORTANT:** Before cutting an opening in an exterior wall, ensure correct vent terminal location by referring to the clearance specifications noted on Figure #25.

It is preferred to cut an opening between two building framing members to avoid any extra framing. Consult your local building codes prior to proceeding. The vent kit will accommodate a maximum wall thickness of 11-1/2 inches.

Having determined the vent terminal location, cut and frame an opening of 10-1/2 inches. The opening may be round or square. Minimum distance from the finished floor to the centre of the opening in a flat wall is 52 inches, and 59-1/4 inches in a corner installation for top vent, or 31-1/2" for rear vent. Height of the opening will vary with each installation. As the horizontal vent run increases, so does the minimum vertical rise.

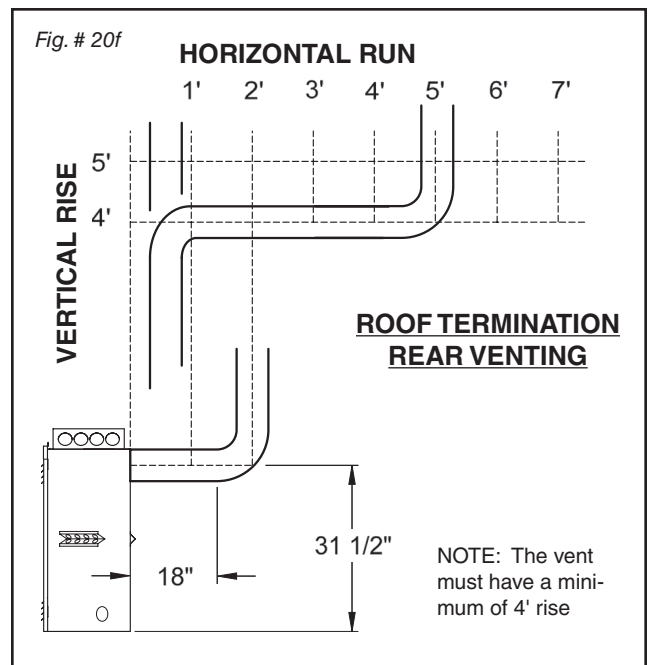
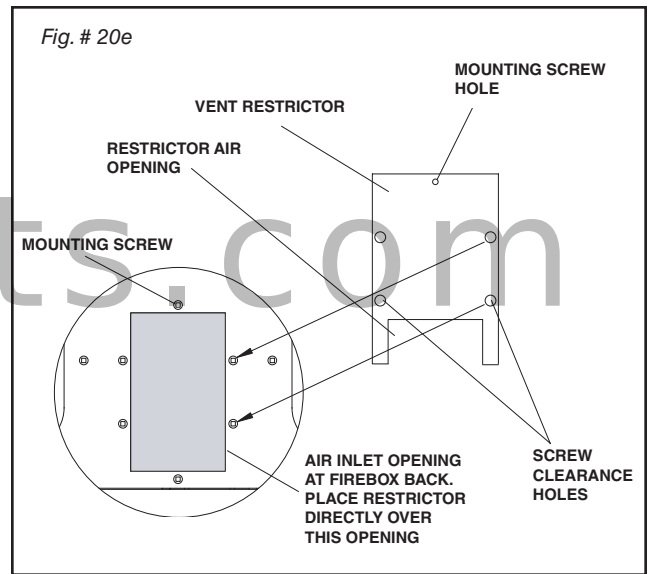
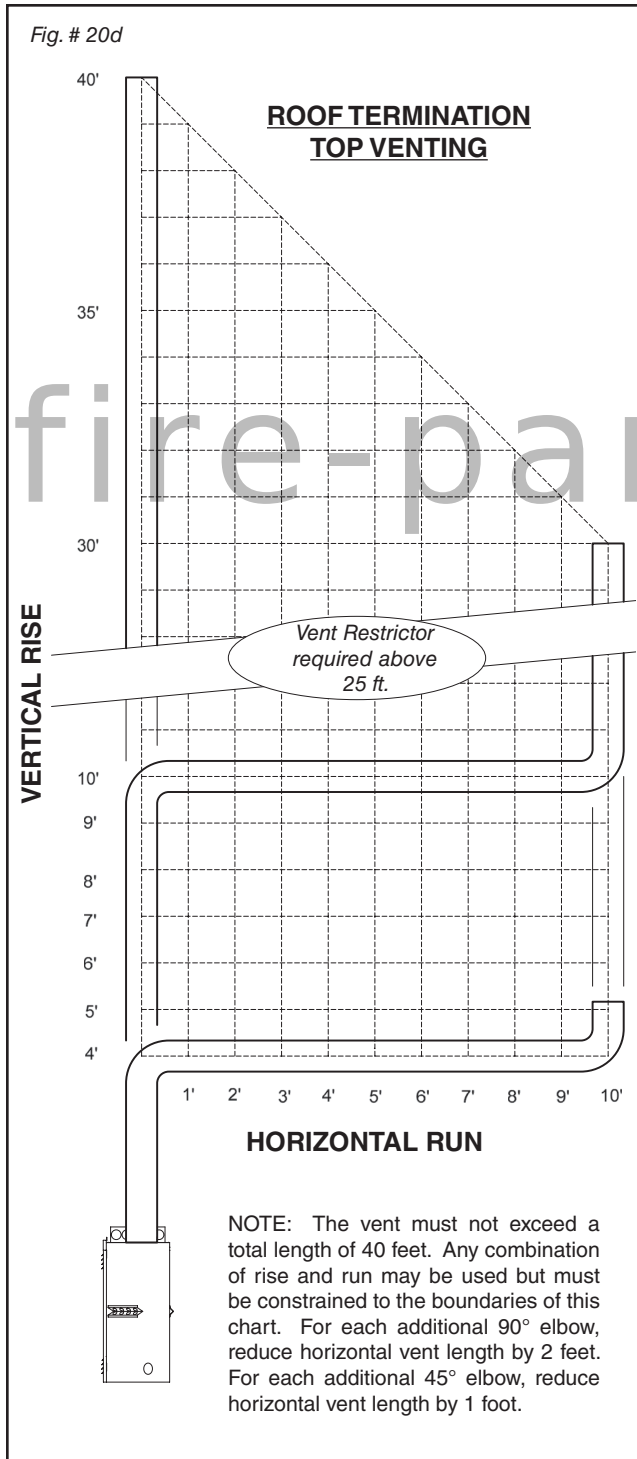


## PACIFIC ENERGY ROOF TERMINATION VENTING AND VENT RESTRICTOR

**NOTE:** The vent must be a minimum 4' long and must not exceed a total length of 40'. Any combination of rise and run may be used but must be constrained to the boundaries of the charts shown in Figs. #20d & 20f.

Included with the unit is a Vent Restrictor. This item is used for air flow regulation when the vent height is 25 ft. or more. Installation of this restrictor ensures proper flame appearance for the wide variety of vent configurations. If the flames are bent forward and have excessive movement, the vent restrictor is required.

Refer to the Burner Removal section for installation location of the restrictor (see Fig. #33). Remove the glass front, and the two rear logs. Remove the one top mounting screw shown in Fig. #20e, place the restrictor over the hole, and replace the one screw.



## VENT CONNECTION

Note: This section refers only to Pacific Energy flex vent.

Attaching the venting to the unit before framing begins is preferred. Once the fireplace is in position proceed to attach the venting. (see Fig # 21)

The flexible vent pipe may be stretched to accommodate various lengths of venting. Stretch and/or cut to length as required.

The 4 inch flexible inner pipe must be centred inside the 8 inch pipe with pipe spacers provided. Pipe spacers should be installed at maximum 2 foot intervals. (see Fig. # 22) Spacers may have to be closer if pipe is bent 90°.

1) Bend pipe spacer around the 4 inch inner pipe. With ends of spacer overlapped, bend locking tabs into place. (see Fig. # 22)

2) Slip the 4 1/2 inch pipe clamp loosely over the inner flex pipe. Slide the pipe a minimum 1 1/2 inches over the inner sleeve collar of the appliance. Clamp tightly in place (see Fig. # 21). No additional seal is required. Secure in place with screws provided.

3) Slip the 8 inch outer flex pipe onto the larger collar and secure in place with screws provided. Seal the joint with high temperature sealant provided.

Fig. # 22

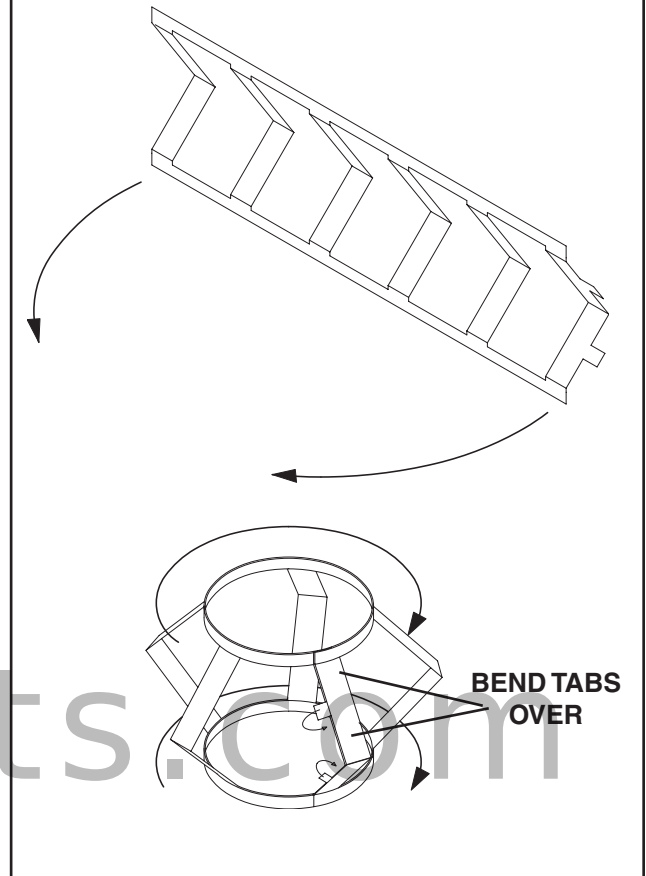
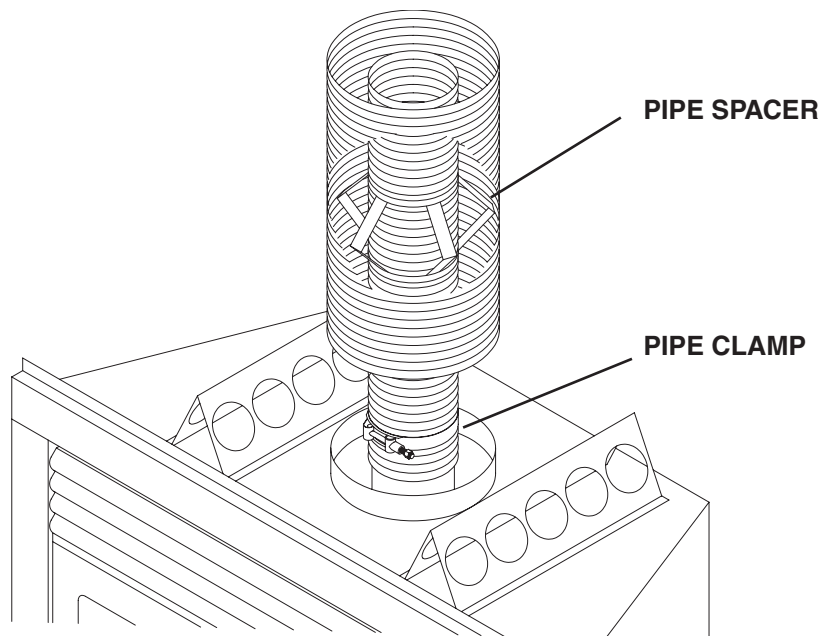


Fig. # 21





## VENT EXTENSION

**Note: This section refers only to Pacific Energy flex vent.**

Vent Pipe Kits may be combined together for longer vent length. Extend the flex pipes as shown in figure # 24. Use the 4 and 8 inch couplers supplied with the vent kit. Insert coupler into the appropriate flex pipe and secure in place with screws provided. Seal all joints and screw heads with high temperature sealant provided.

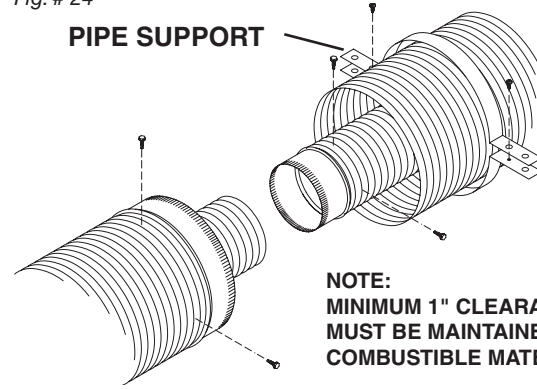
The 4 inch flexible inner pipe must be centred inside the 8 inch pipe with pipe spacers provided. Pipe spacers should be installed at maximum 2 foot intervals. (see Fig. # 21) Spacers may have to be closer if pipe is bent 90°.

The vent system must be supported approximately every 3 feet. Use pipe support straps provided with kit to maintain a 1 inch clearance from combustibles. (see Fig. # 24)

For best performance, maximize the height of the opening. The 5' Vent Pipe kit will accommodate a height of 52 to 82 inches.

Fig. # 24

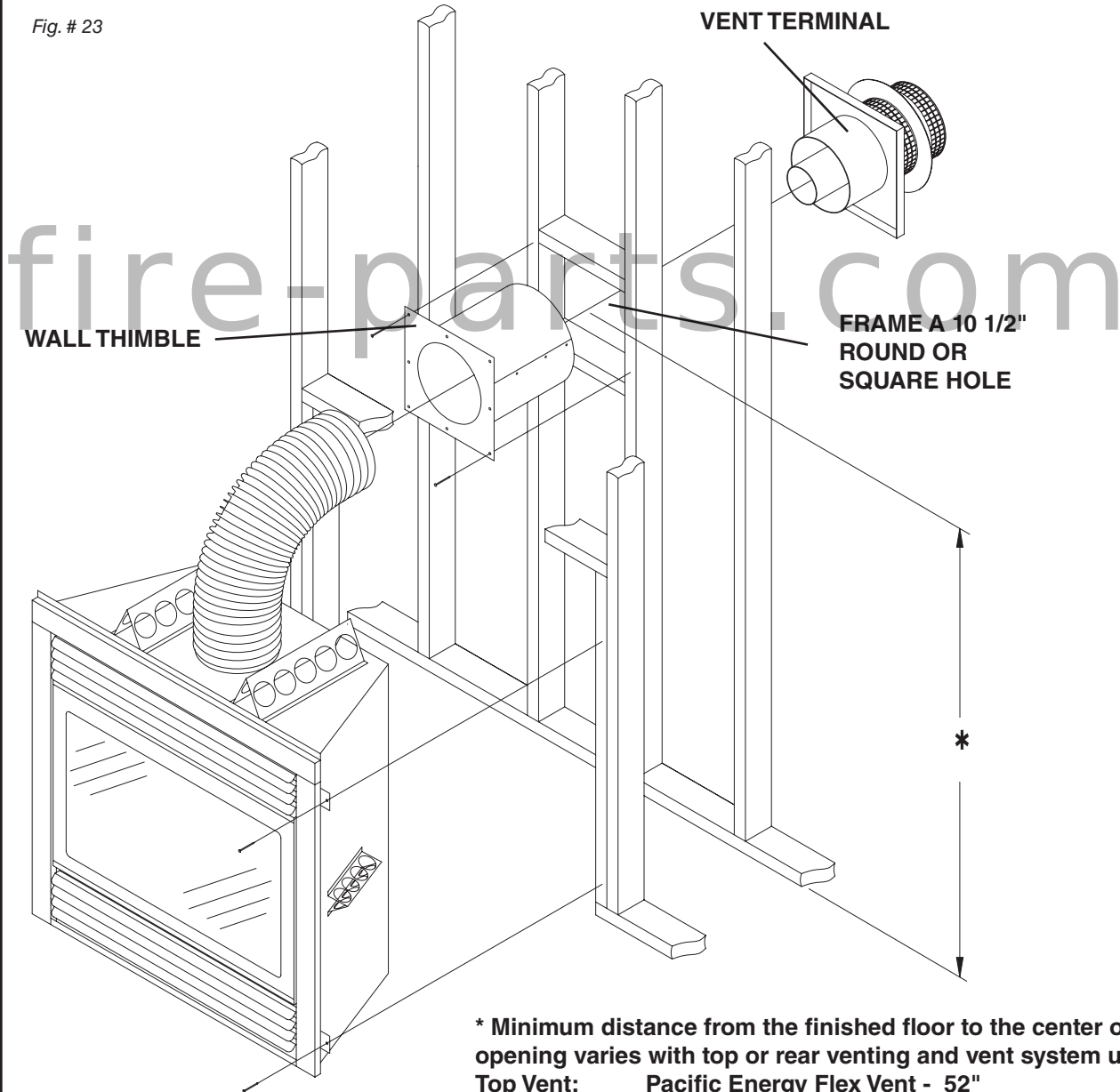
### PIPE SUPPORT



**NOTE:  
MINIMUM 1" CLEARANCE  
MUST BE MAINTAINED TO  
COMBUSTIBLE MATERIALS**

Fig. # 23

### VENT TERMINAL



**FRAME A 10 1/2"  
ROUND OR  
SQUARE HOLE**

**\* Minimum distance from the finished floor to the center of the opening varies with top or rear venting and vent system used.**

**Top Vent: Pacific Energy Flex Vent - 52"  
Simpson Dura-Vent GS - 49 1/4"**

**Rear Vent: All Vent Systems - 31 1/2"**

## VENT TERMINAL INSTALLATION

Where a vent pipe passes through a combustible wall, a wall thimble must be used to retain insulation and maintain a 1 inch clearance. The wall thimble may be cut to length for various wall thicknesses. (see Fig. # 23) It may be necessary to attach the flex vent pipe to the vent terminal sleeve before attaching terminal to the wall.

- 1) Slip the 4 inch inner flex pipe a minimum of 1-1/2 inches over the inner sleeve of the vent terminal. Secure to the sleeve with screws provided. Seal the joint and screw heads using the high temperature sealant.
- 2) Slip the 8 inch outer flex pipe a minimum of 1-1/2 inches over the outer sleeve of the vent terminal. Secure to the sleeve with screws provided. Seal the joint and screw heads using the high temperature sealant.
- 3) Install the vent terminal on the outside wall as shown in Fig. # 26. Attach the terminal to the outside wall at each corner with screws provided. Do not overtighten screws. **The vent terminal must not be recessed into the exterior wall or siding.**
- 4) Caulk in place to prevent any moisture entering the building.

**NOTE: MINIMUM CLEARANCES TO THE VENT TERMINAL MUST BE MAINTAINED. (Fig. # 25)**

Fig. # 26

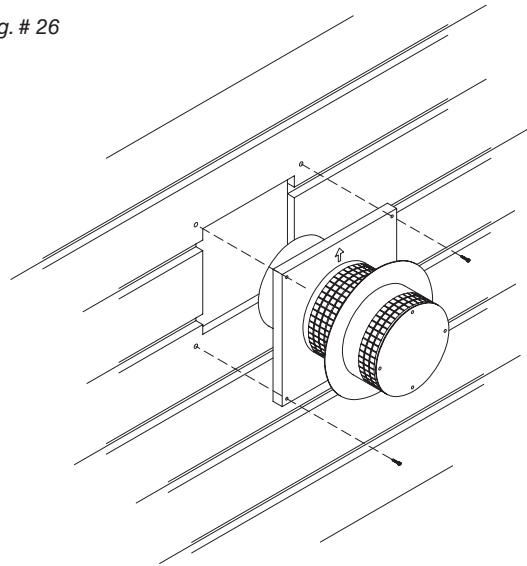
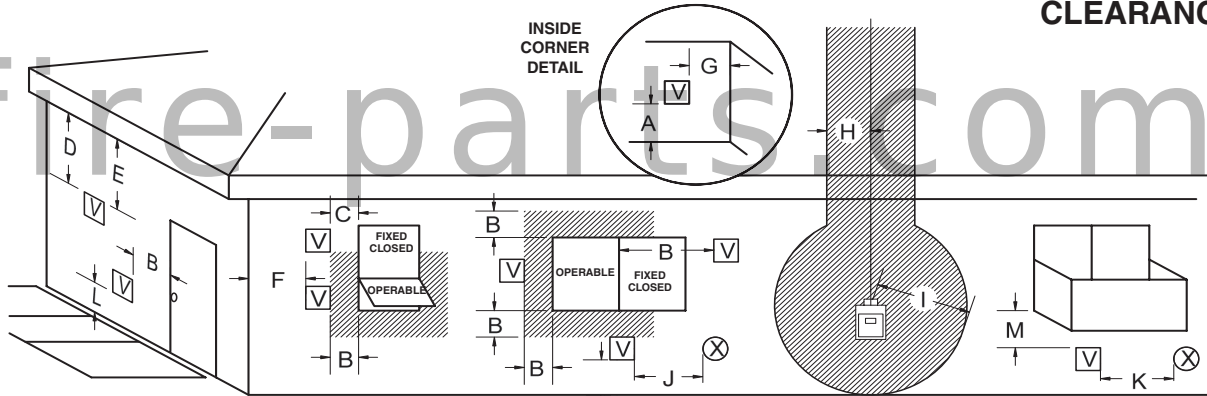


Fig. # 25

## VENT TERMINAL MINIMUM CLEARANCES



☐ VENT TERMINAL

⊗ AIR SUPPLY INLET

▨ AREA WHERE TERMINAL IS NOT PERMITTED

☑ GAS METER

	Canadian Installations <sup>1</sup>	US Installations <sup>2</sup>
A= Clearances above grade, veranda, porch, deck, or balcony	12 inches (30 cm)	12 inches (30 cm)
B= Clearance to window or door that may be opened	12 inches (30 cm)	9 inches (23 cm)
C= Clearance to permanently closed window	12 inches (30 cm)	9 inches (23 cm)
D= Vertical clearance to ventilated soffit located above the terminal within a horizontal distance of 2 feet (61 cm) from the center-line of the terminal	18 inches (46 cm)	18 inches (46 cm)
E= Clearance to unventilated soffit	16 1/4 inches (46 cm)	16 1/4 inches (41 cm)
F= Clearance to outside corner	8 inches (20 cm)	8 inches (20 cm)
G= Clearance to inside corner	5 3/4 inches (15 cm)	5 3/4 inches (15 cm)
H= Clearance to each side of center line extended above meter/regulator assembly	3 feet (91 cm) minimum within a height 15 feet (4.5m) above the meter/regulator assembly	*

	Canadian Installations <sup>1</sup>	US Installations <sup>2</sup>
I= Clearance to service regulator vent outlet	3 feet (91 cm)	*
J= Clearance to nonmechanical air supply inlet to building or the combustion air inlet to any other appliance	12 inches (30 cm)	9 inches (23 cm)
K= Clearance to a mechanical air supply inlet	6 feet (1.8 m)	3 feet (91 cm) above if within 10 feet (3m) horizontally
L= Clearance above paved side-walk or a paved driveway located on public property	7 feet (2.13 m) †	*
M= Clearance under veranda, porch, deck, or balcony	16-1/4 inches (41 cm) ‡	16-1/4 inches (41 cm) ‡

<sup>1</sup> In accordance with the current CSA B149.1, Natural Gas and Propane Installation Code.

<sup>2</sup> In accordance with the current ANSI Z223.1/NFPA S4, National Fuel Gas Code.

† A vent shall not terminate directly above a side-walk or paved driveway which is located between two single family dwellings and serves both dwellings.

‡ Permitted only if veranda, porch, deck, or balcony is fully open on a minimum of 2 sides beneath the floor.

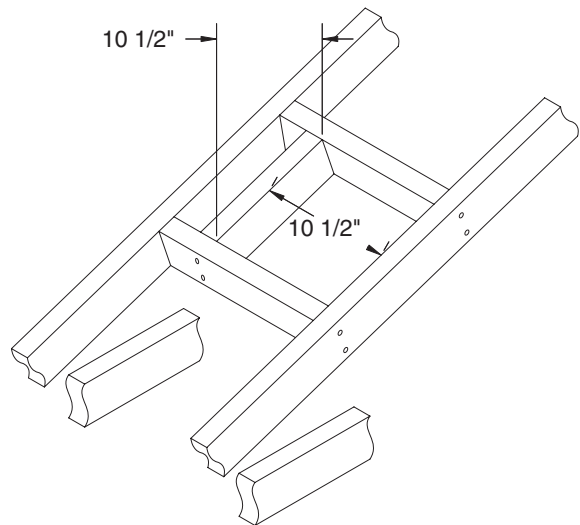
\* Clearance in accordance with local installation codes and the requirements of the gas supplier.

## ROOF VENT TERMINAL INSTALLATION

Firestops must be used where a vent passes through a floor. Where a vent passes through a ceiling, a wall/roof thimble must be used to retain insulation and maintain a 1 inch clearance. Avoid cutting rafters.

- 1) Once the terminal location is determined, cut and frame a minimum 10-1/2" round or square opening in the roof. Size of the opening may have to increase with the pitch of the roof to ensure a 1 inch air space clearance between vent and combustibles. (see Fig. # 28)
- 2) Attach the roof brackets to the support sleeve with the 1/4" x 1" long carriage bolts. (see Fig. # 27)
- 3) Extend the 8 inch outer flex pipe through the roof opening. Slip the flex pipe a minimum of 1-1/2 inches over the support sleeve. Secure pipe to the sleeve with screws provided. Seal the joint and screw heads using the high temperature sealant provided.
- 4) Fasten the support sleeve assembly to the roof joists. The sleeve must be located vertically and plumb and a minimum of 1 inch away from any combustible material. (see Fig. # 29)
- 5) Place the roof flashing over the support sleeve and nail securely to the roof using roofing nails, top and sides UNDER shingles, lower end OVER shingles to provide a watershed. Make weather tight by sealing with roofing compound. (see Fig. # 30)

Fig. # 28



The size of the opening may have to increase with the pitch of the roof to ensure a 1 inch air space clearance between vent and combustibles.

Fig. # 27

1/4" NUT AND WASHER

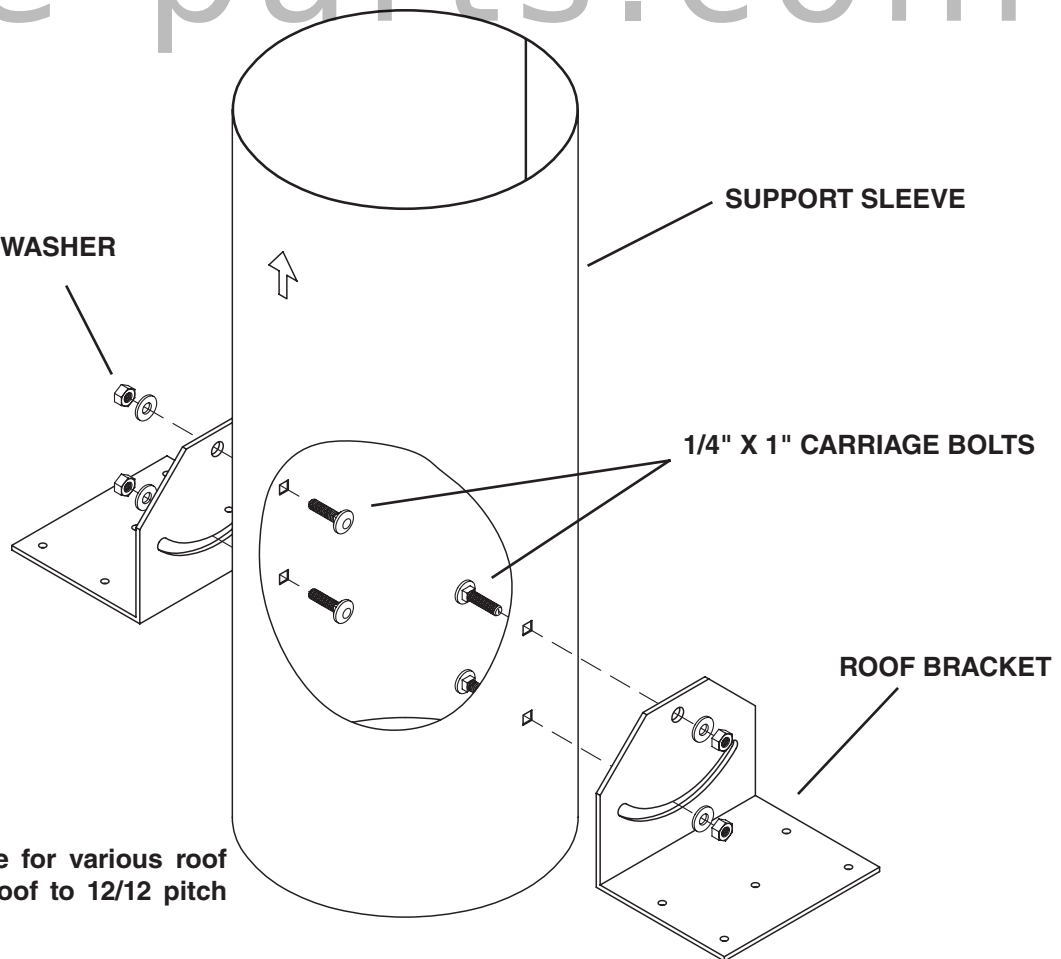


Fig. # 29

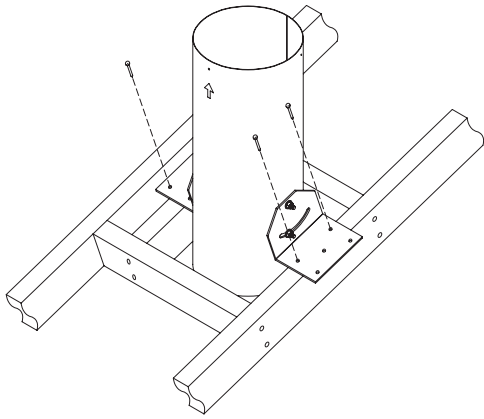
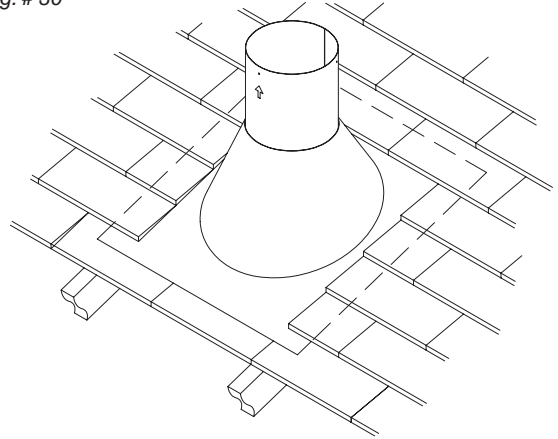


Fig. # 30



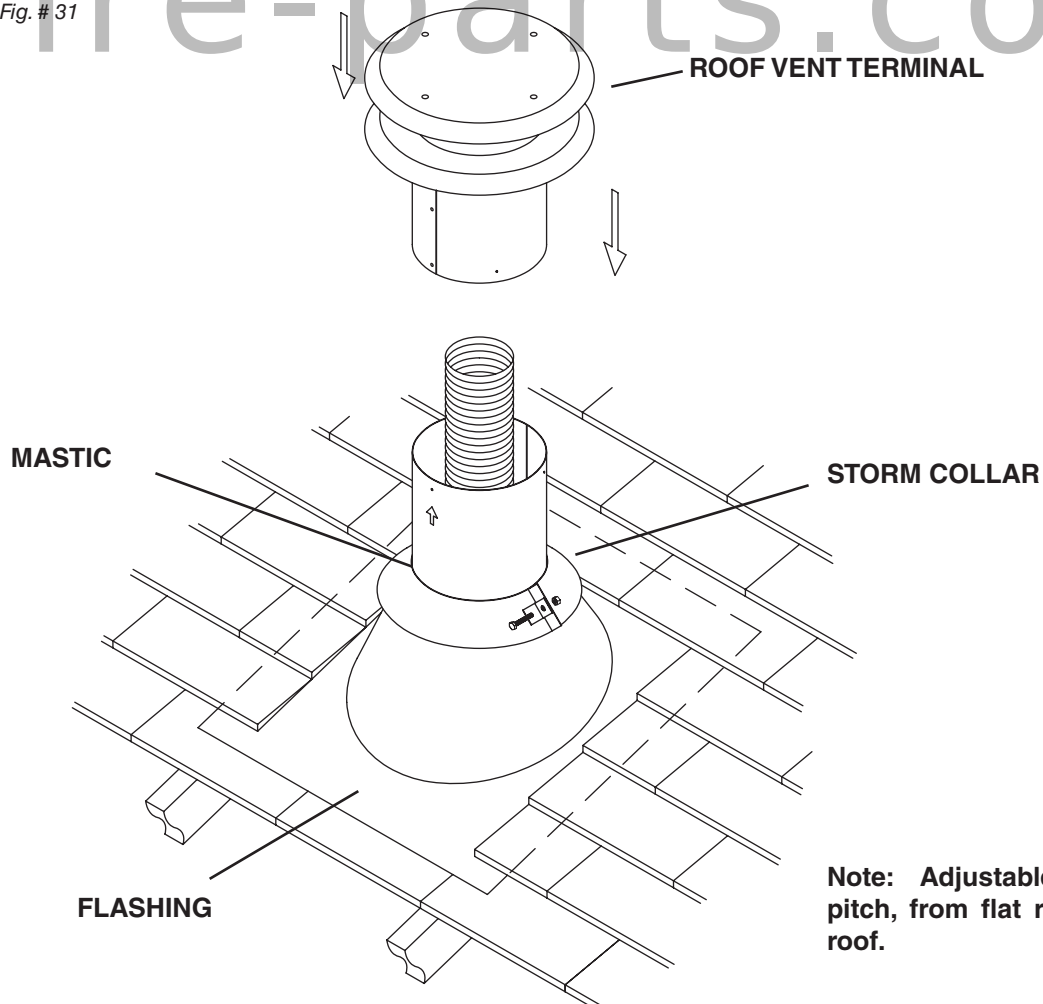
6) Place the storm collar down over the pipe until it is level. Tighten storm collar for a snug fit. Apply a thick horizontal ring of mastic around the support sleeve at top of storm collar. (see Fig. # 31)

7) Extend the 4 inch inner flex pipe through the roof assembly. Slip the flex pipe a minimum of 1 1/2 inches over the inner collar of the

roof vent terminal. Secure to the collar with screws provided. Seal the joint and screw heads using the high temperature sealant provided.

8) Lower the roof vent terminal over the sleeve and secure in place with screws provided. (see Fig. # 31) Seal screw heads and joint with caulking to prevent any moisture entering the venting system.

Fig. # 31



**OPTIONAL VENTING**  
**SIMPSON DURA-VENT - DIRECT VENT GS SYSTEM**

The Estate Fireplace is also tested and certified for use with SIMPSON DURA-VENT DIRECT VENT GS pipe. Kits for venting either through the side wall or vertically through the roof are available from Simpson Dura-Vent or your nearest Pacific Energy Authorized Dealer. Before installing the Dura-Vent system, the installer should read the instructions that accompany this appliance to ensure proper installation requirements are maintained.

**CAUTION: UNDER NO CONDITION SHOULD COMBUSTIBLE MATERIAL BE CLOSER THAN 1-3/4 INCHES FROM ANY VERTICAL AND HORIZONTAL VENT SECTIONS OF THE SIMPSON DURA-VENT DIRECT VENT GS SYSTEM.**

Follow the vent pipe manufacturer's instructions for assembly and installation. Allowable vent configurations are shown in Figures #31a-d. For optimum performance and flame appearance, keep the vent length to a minimum. A horizontal run of vent must have a 1/4" rise for every 2 ft. of run towards the termination.

For Vent Restrictor installation, refer to the Pacific Energy Roof Termination Venting and Vent Restrictor section (see Fig. #20d & 20e).

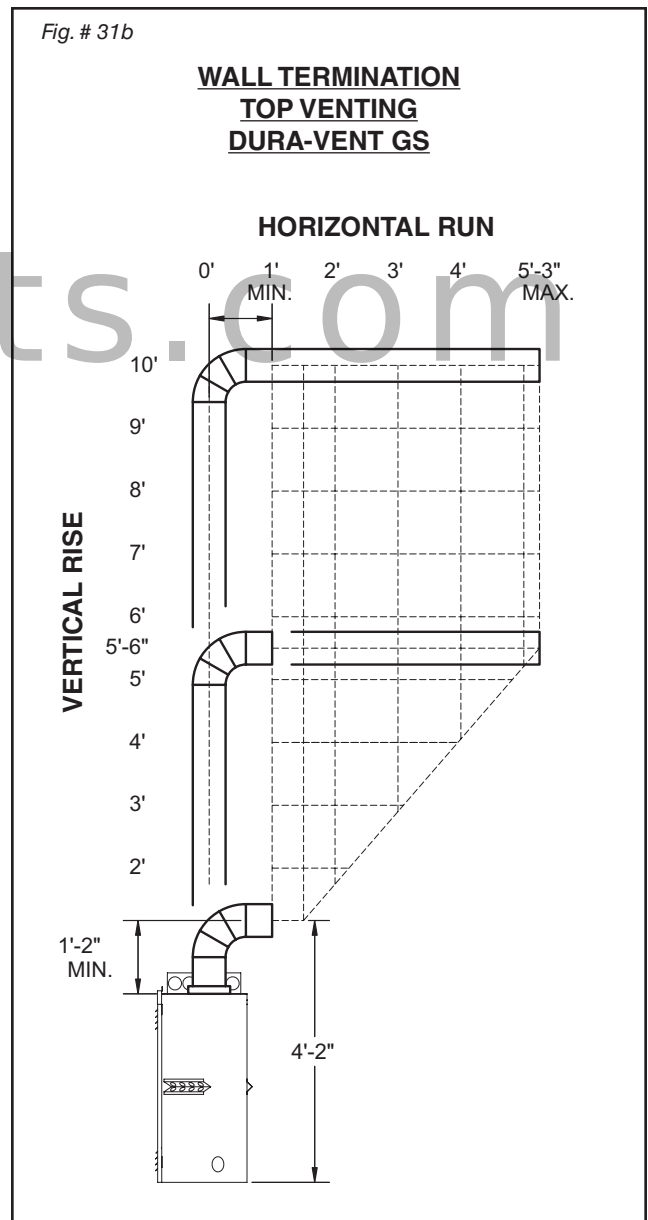
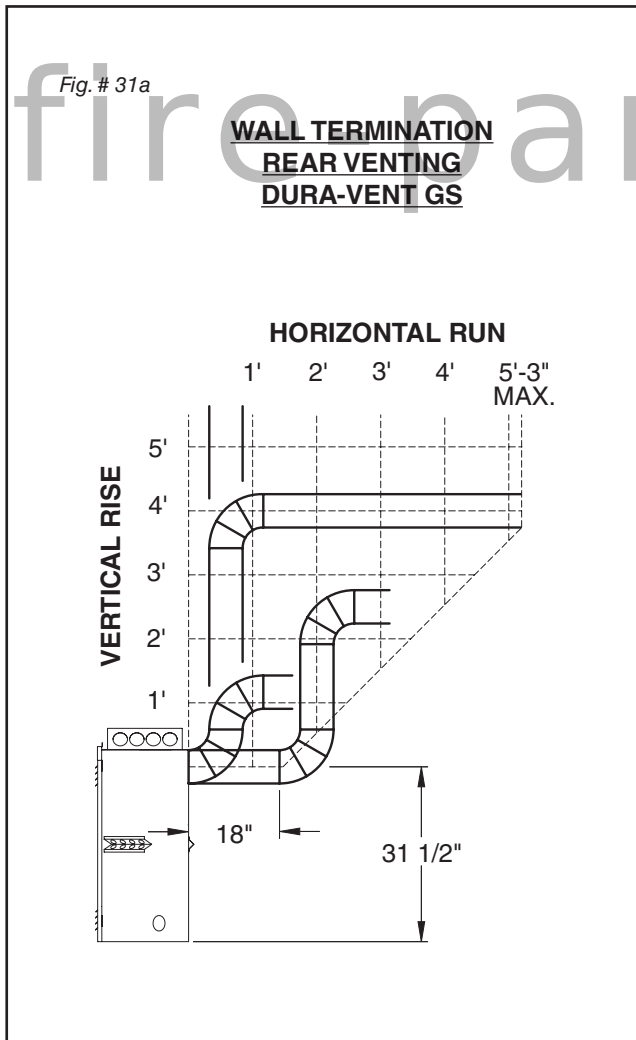
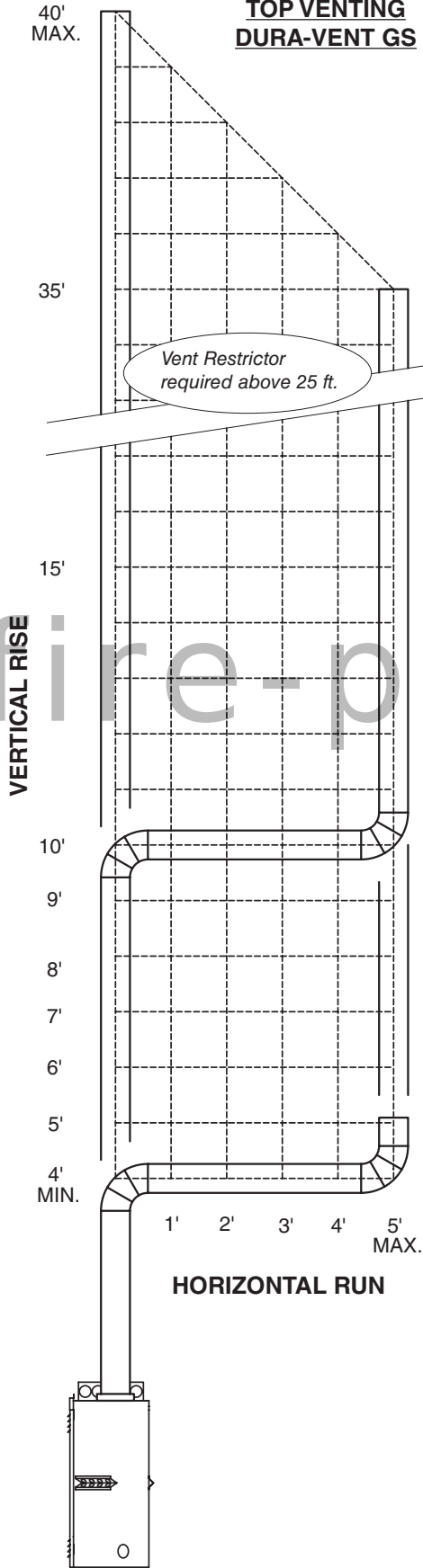


Fig. # 31c

**ROOF TERMINATION  
TOP VENTING  
DURA-VENT GS**



NOTE: The roof termination vent must not exceed a total length of 40 feet. Any combination of rise and run may be used but must be constrained to the boundaries of this chart. For each additional 90° elbow, reduce vent length by 2 feet. For each additional 45° elbow, reduce vent length by 1 foot.

**ROOF TERMINATION  
REAR VENTING  
DURA-VENT GS**

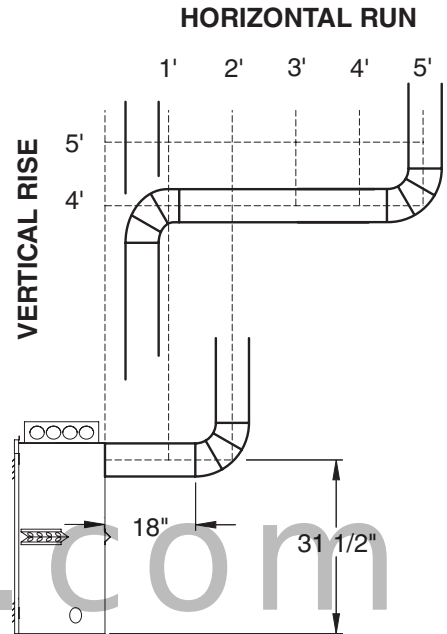
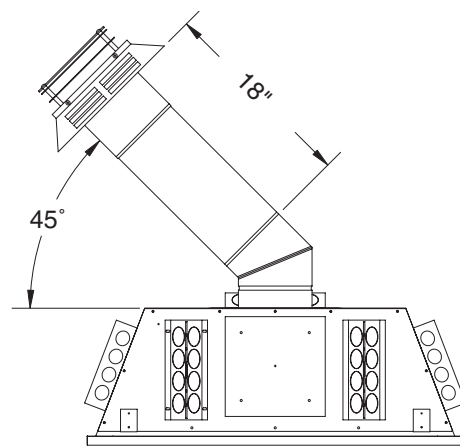


Fig. # 31d



**Top View  
Corner Vent**

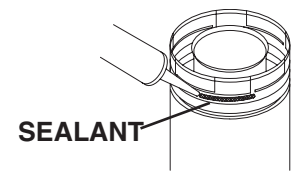
Fig. # 31e

**Venting System Components**

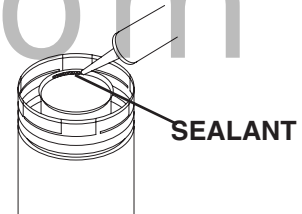
**Dura-Vent GS Catalog #**

	<u>galv.</u>	<u>black</u>
6" pipe length	908B	
9" pipe length	907B	
12" pipe length	906	906B
24" pipe length	904	904B
36" pipe length	903	903B
48" pipe length	902	902B
11" - 14 5/8" adjustable pipe length	911B	
90° elbow	990	990B
45° elbow	945	945B
High wind vertical termination cap	991	
Horizontal square termination cap	984	
Snorkel termination cap - 36"	981	
Snorkel termination cap - 14"	982	
Vinyl siding standoff	950	
Round ceiling support/wall thimble	940	
Cathedral ceiling support box	941	
Storm collar	953	
Ceiling firestop	963	
Roof flashing 0/12 - 6/12	943	
Roof flashing 7/12 - 12/12	943S	
Wall straps	988	
Wall thimble	942	
<hr/>		
Dura-Vent Pipe Adaptor	ENCD.DVADPT	
Flex Pipe to Snorkel Adapter	ESTD.SNADPT	

Fig. # 31f **OUTER PIPE**



**INNER PIPE**



**Wall Termination Venting**

To connect the Dura-Vent GS venting system to the Estate Fireplace flue outlet, a Dura-Vent Pipe Adaptor is required.

A list of Dura-Vent system components is shown in Fig. #31e.

**Top Vent**

A minimum 6" vertical length must be installed before the first 90° elbow. With this minimum vertical rise, a maximum horizontal run of 18" is permitted. For longer horizontal runs, the vertical rise must also increase. The rise and run must be constrained to the boundaries of the chart shown in figure #31a, c, d, & e. A horizontal run of vent must have a 1/4" rise for every 2 ft. of run towards the termination.

**Rear Vent**

Refer to Figures #31a-d for allowable configurations.

**Roof Termination Venting**

To connect the Dura-Vent GS venting system to the Estate Fireplace flue outlet, a Dura-Vent Pipe Adaptor is required.

**Top Vent**

A minimum 4' vertical length must be installed before the termination cap or the first 90° elbow. The total vent length must not exceed 40'. Any combination of rise and run may be used but must be constrained to the boundaries of the chart shown in Fig. #31b & c. A horizontal run of vent must have a 1/4" rise for every 2 ft. of run towards the termination.

**Rear Vent**

Refer to Figures #31a-d for allowable configurations.

**Vent Pipe Sealant** (supplied with the appliance)

SIMPSON DURA-VENT DIRECT VENT GS pipe: All vent pipe sections must be sealed. Run a 1/8 inch wide bead of sealant around the male end of the outer pipe and female end of the inner pipe as shown in Figure #31f, and twist-lock the vent pipe sections together.

## OPTIONAL SNORKEL VENT TERMINAL

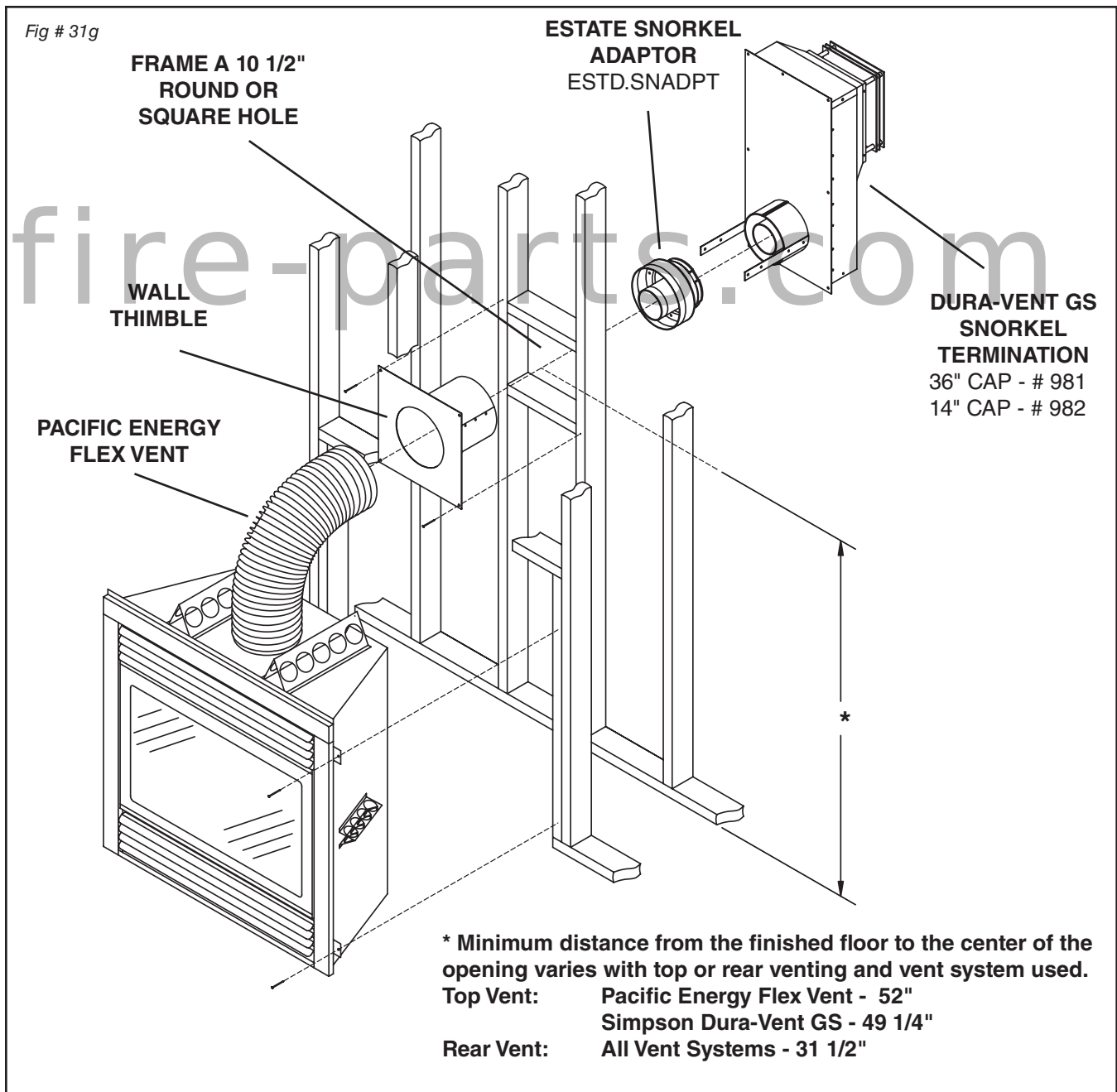
For installations requiring a vertical rise on the exterior of the building, a 14 inch or a 36 inch tall Snorkel Termination is available from Simpson Dura-Vent or your nearest Pacific Energy Authorized Dealer.

Follow the same installation procedures as for standard Wall Terminations (see VENTING section). If the Snorkel Termination must be installed below grade, (i.e. basement application), proper drainage must be provided to prevent water from entering the Snorkel Termination. Refer to Simpson Dura-Vent installation instructions. Do not attempt to enclose the Snorkel within a wall, or any other type of enclosure. Ensure that proper clearances to combustible materials are maintained (see Fig. #25).

Where a vent pipe passes through a combustible wall, a wall thimble must be used to hold insulation away and maintain a 1 inch clearance. The wall thimble may be cut to length for various wall thicknesses.

To connect the Dura-Vent GS Snorkel Termination to the Estate flexible vent, an Estate Snorkel Adaptor (ESTD.SNADPT) is required.

- 1) Attach the Estate Snorkel Adaptor to the Snorkel Terminal (see Fig. #31g).
- 2) Extend both the 8-inch outer and the 4-inch inner flex pipe through the wall thimble. Slip the 4 inch inner flex pipe a minimum of 1-1/2 inches over the inner collar of the Estate Snorkel Adaptor. Secure to the collar with screws provided. Seal the joint and screw heads using the high temperature sealant.
- 3) Slip the 8 inch outer flex pipe a minimum of 1-1/2 inches over the outer collar of the Estate Snorkel Adaptor. Secure to the collar with screws provided. Seal the joint and screw heads using the high temperature sealant.
- 4) Before attaching the Snorkel Termination to the exterior wall, run a bead of non-hardening mastic around its outside edges, so as to make a seal between it and the wall. The arrow on the terminal should be pointing up.





## MANUFACTURED (MOBILE) HOME

In some jurisdictions, the Estate Fireplace may be installed in Manufactured Homes after the "first sale". **Consult local codes for approval.** The fireplace must be fastened in place.

Install in accordance with the current standard CSA Z240.4 GAS EQUIPPED RECREATIONAL VEHICLES AND MOBILE HOUSING (in CANADA), and the Manufacturer's Home Construction and Safety Standard, Title 24 CFR, Part 3280 (in the U.S.A.).

### GAS SUPPLY

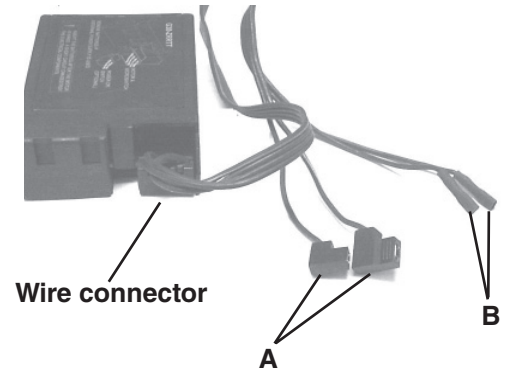
**Caution:** The gas line should be installed by a qualified service person in accordance with all building codes. This section is intended as a guide for qualified technicians installing this appliance. Consult local and/or national building codes before proceeding.

Gas supply line may enter the cabinet at the bottom left or right side or back through the holes provided. Gas valve inlet accepts a 3/8" N.P.T. fitting. Correct gas line diameter must be used to assure proper operation. An optional 24" long flexible connector (part #GASC. GASCON) may be used for easy gas connection.

The gas control is equipped with a capture screw type pressure test port, therefore it is not necessary to provide an 1/8 inch N.P.T. plugged tapping pressure port for checking gas pressure immediately upstream of the gas supply connection to the appliance.

### Correct gas pressure requirement:

	Natural Gas	Propane
Min. Pressure <small>(For purpose of input adjustment)</small>	5.0" wc	12.5" wc
Max. Pressure	10.5" wc	13.9" wc
Manifold Pressure		
Maximum	3.8" wc	11.0" wc
Minimum	1.1" wc	2.7" wc



### REMOTE CONTROL INSTALLATION

**Caution:** DO NOT connect the batteries to the remote control receiver until the all of the wires are connected to the gas valve as a short circuit could result in damage to the electrical components of the remote control.

When installing the remote to the fireplace please refer to figure 20.

- 1) The wiring harness should be already connected to the remote receiver box, but if not gently push the wire connector onto the receiver circuit board, it will only fit one way.
- 2) Connect the smaller of the "L" shaped terminals to the smaller motor terminal on the gas valve. (connectors marked "A" to the terminals marked "A" in Figure 32) Repeat with the larger terminal.
- 3) Connect wires "B" to the gas valve terminals marked "B" in figure 32.
- 4) Remove the remote control receiver lid by sliding it away from the "wiring end" and lifting up.
- 5) Install four 1.5V "AA" batteries and replace lid.
- 6) Place the receiver below the gas valve.
- 7) Remove the battery cover from the bottom of the remote hand set, install one 9V battery and replace the battery cover.

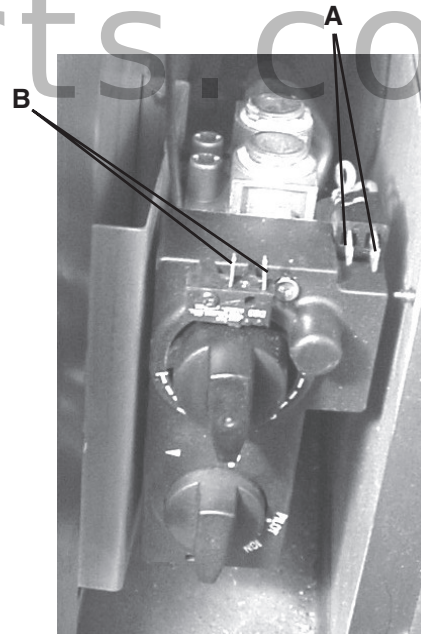


Fig. # 32



## BURNER REMOVAL

**Caution:** Turn off gas and electrical power supply and allow ample time for the unit to cool before proceeding.

The glass frame must be removed, if installed, to remove the burner from the firebox. The glass frame is held in place by three over-center latches located under the firebox along the front edge.

- 1) Fold down the front bottom louver, if installed, to access the over-center window latches.
- 2) Disengage the over-center latches by pulling each lever down and forward. Grasp the sides of the frame and swing the bottom out to clear. Lift up and forward to disengage from the top. Place the glass frame assembly in a safe place to avoid damage.
- 3) Carefully remove log set (note position if installed) and set aside, taking care not to damage them. Remember, the logs are extremely fragile! Also, carefully remove the ember bed ceramic, grate assembly and burner base panels.
- 4) Disconnect gas supply line.
- 5) Remove the two wing nuts under the firebox which secure the burner. Remove the entire assembly from the firebox by tilting it slightly forward and lifting up and out (see Fig. #33).

Reassemble in reverse order, taking care to ensure that all gas connections are sealed. Be sure to align the two studs on bottom of burner with holes in base of the firebox.

## OPTIONAL BRICK PANELS INSTALLATION

Decorative brick panels are to be installed after the burner is in place.

- 1) Unpack and inspect brick panels.
- 2) Place the back brick panel against the rear of the inside of the firebox so that the largest row of bricks is on the bottom (see Fig. #34).
- 3) Place the right side panel into the right side of the firebox, brick side facing in.
- 4) Place the left side panel into the left side of the firebox, brick side facing in.

Fig. # 33

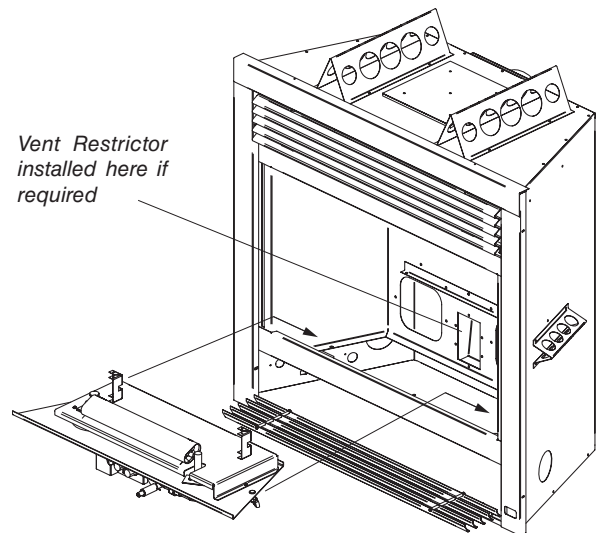
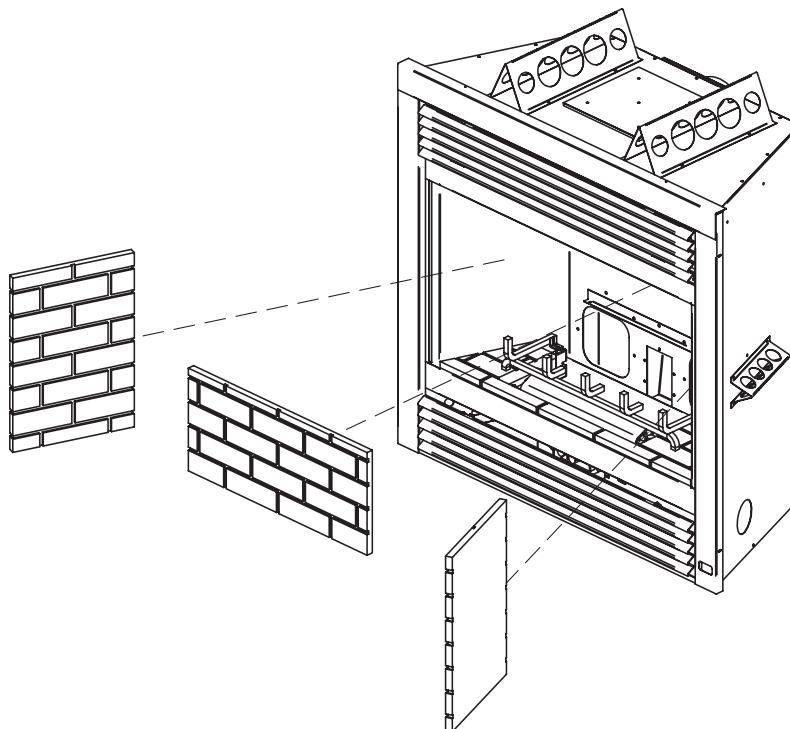


Fig. # 34



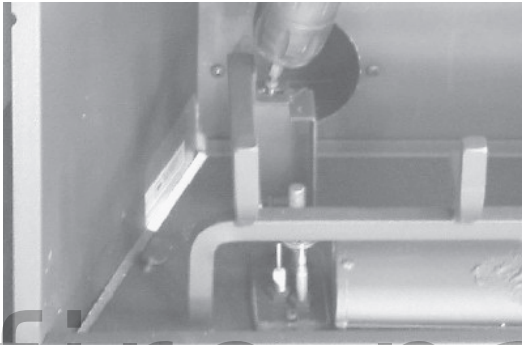
## LOG SET ASSEMBLY

Unpack and inspect log set. There should be a total of 7 logs, one ember bed and two base brick panels. Gas and vent connections should be completed before installing the log set. Position the logs, ember bed and base bricks as indicated by pictures below.

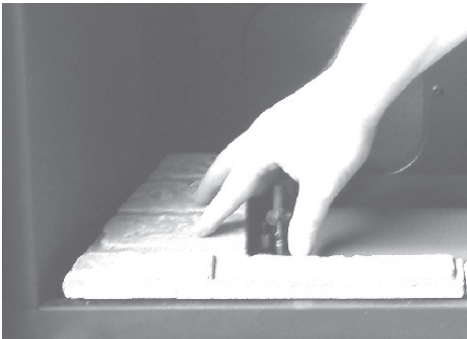
Note: Improper placement of logs may cause sooting on internal parts and glass.

Fig. # 35

### Base Brick Placement



Remove two screws from log grate, left and right rear corners and remove grate.



Place base bricks in firebox and re attach the log grate.

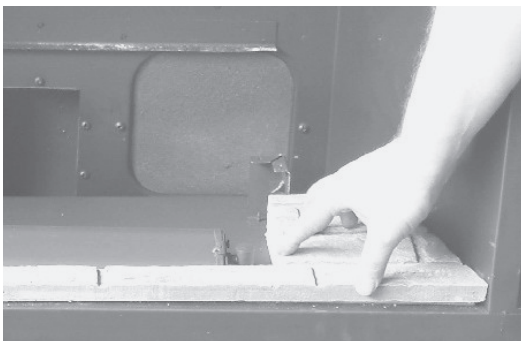
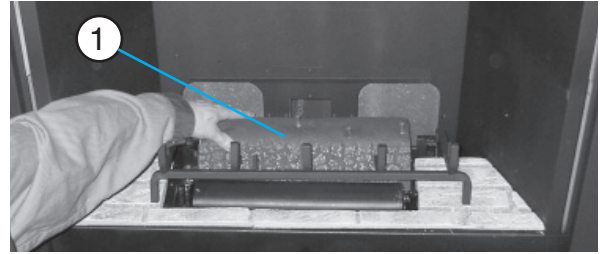


Fig. # 36

Step 1

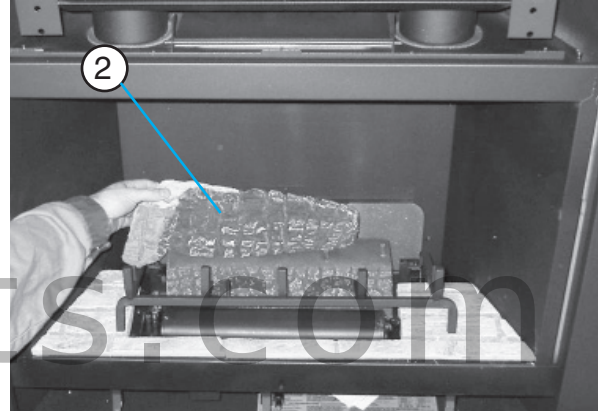
Ember Floor Pt# 5097.26105



Place ember bed on burner tray and slide towards burner until bed contacts burner spacer.

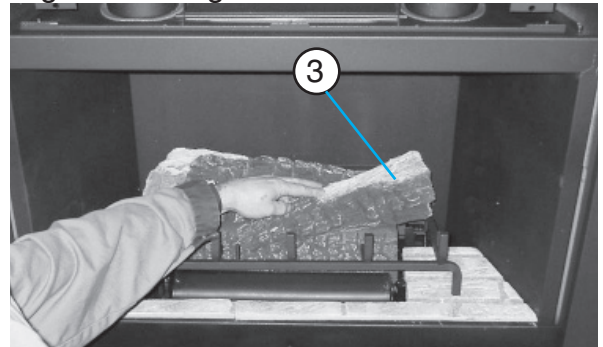
Step 2

Left Rear Log Pt# 5097.2611



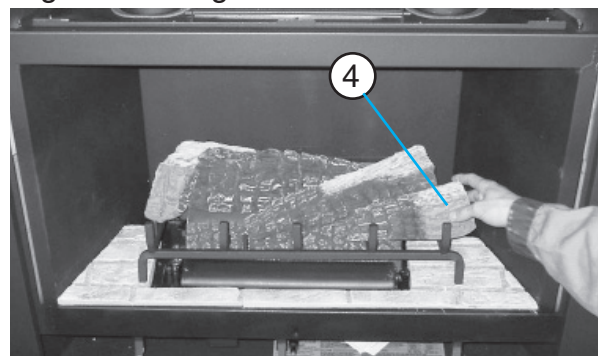
Step 3

Right Rear Log Pt# 5097.2612



Step 4

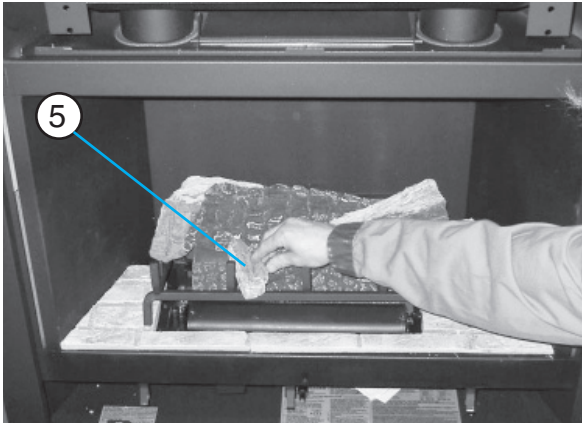
Right Front Log Pt# 5097.26



Step 5

Fig. #37

Middle Front Log Pt# 5097.23



Step 6

Left Front Log Pt# 5097.25

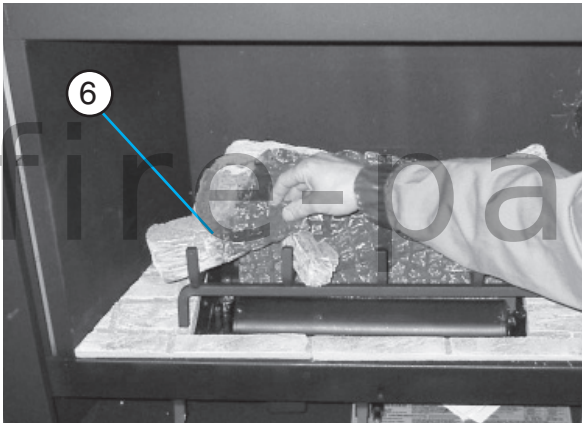
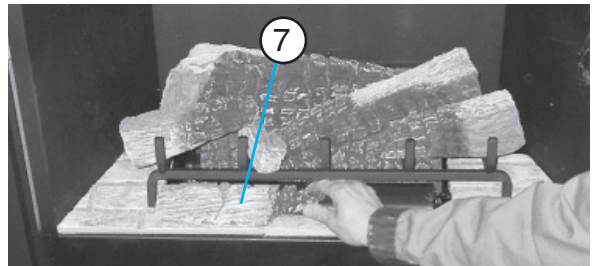


Fig. # 38a

Step 7

Right Front Chunk Pt# 5097.2614



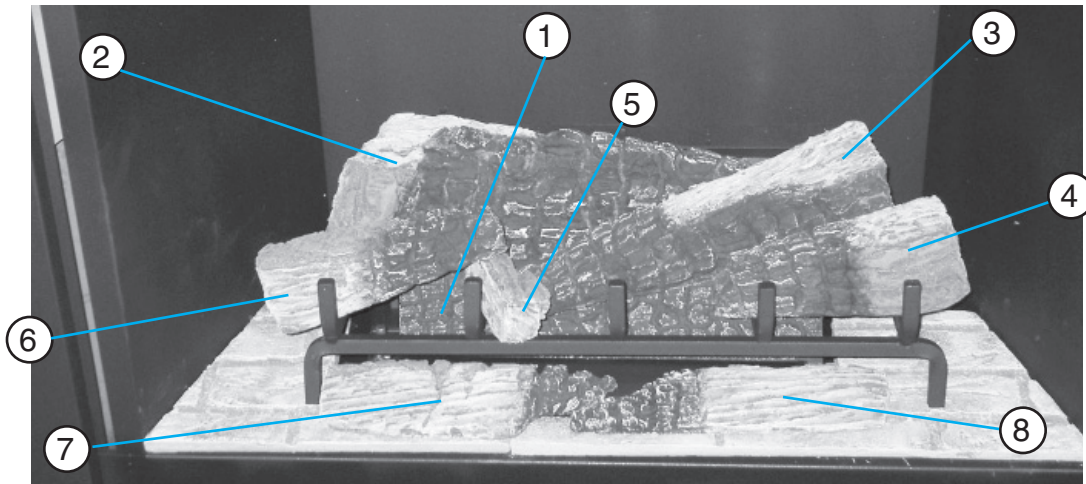
Step 8

Left Front Chunk Pt# 5097.2613



Fig. # 38b

Complete Log Set Placement



## OPTIONAL BLOWER

### Electrical Supply:

It is recommended that the fireplace electrical receptacle box be prewired during installation. The optional blower (kit # ESTG.BLOWA) is equipped with a three prong power cord and may be installed and plugged in at a later date.

**Consult local codes or, in the absence of local codes, with the current CSA C22.1 Canadian Electrical Code and in the USA with the National Electrical Code, ANSI/NFPA 70 (Latest Edition).**

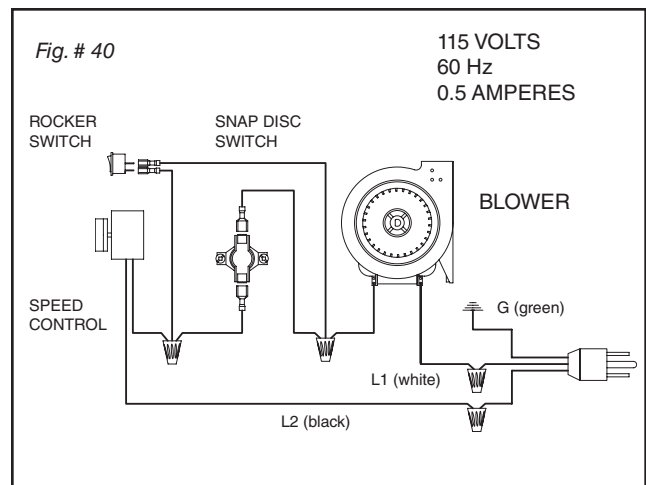
Route a 14/2 wire power cable to the left side of the fireplace. Attach a proper electrical strain relief through the knock out hole provided. Feed the wire through and into the electrical receptacle box provided. Connect the wire to the receptacle, black wire to brass screw, white wire to chrome screw and ground wire to green ground screw. Fit the receptacle back into the electrical box and replace cover.

Optional circulating air blower electrical rating: 115V, 60HZ, 80 watts. For your protection against shock hazard, use only a properly grounded power supply.

**Installation:** (see Fig. # 39)

Open bottom louver and install through the front opening.

- 1) Tilt the blower on its side and slide it past the left side of the gas valve. Position the blower onto the studs located at the rear of the fireplace. The studs must protrude through the front rubber grommets of the fan bracket. No fasteners are required.
- 2) Place the speed control junction box in the left front corner of the appliance. Slide the control box back into the spring clips and secure to the fireplace in front with screw provided.

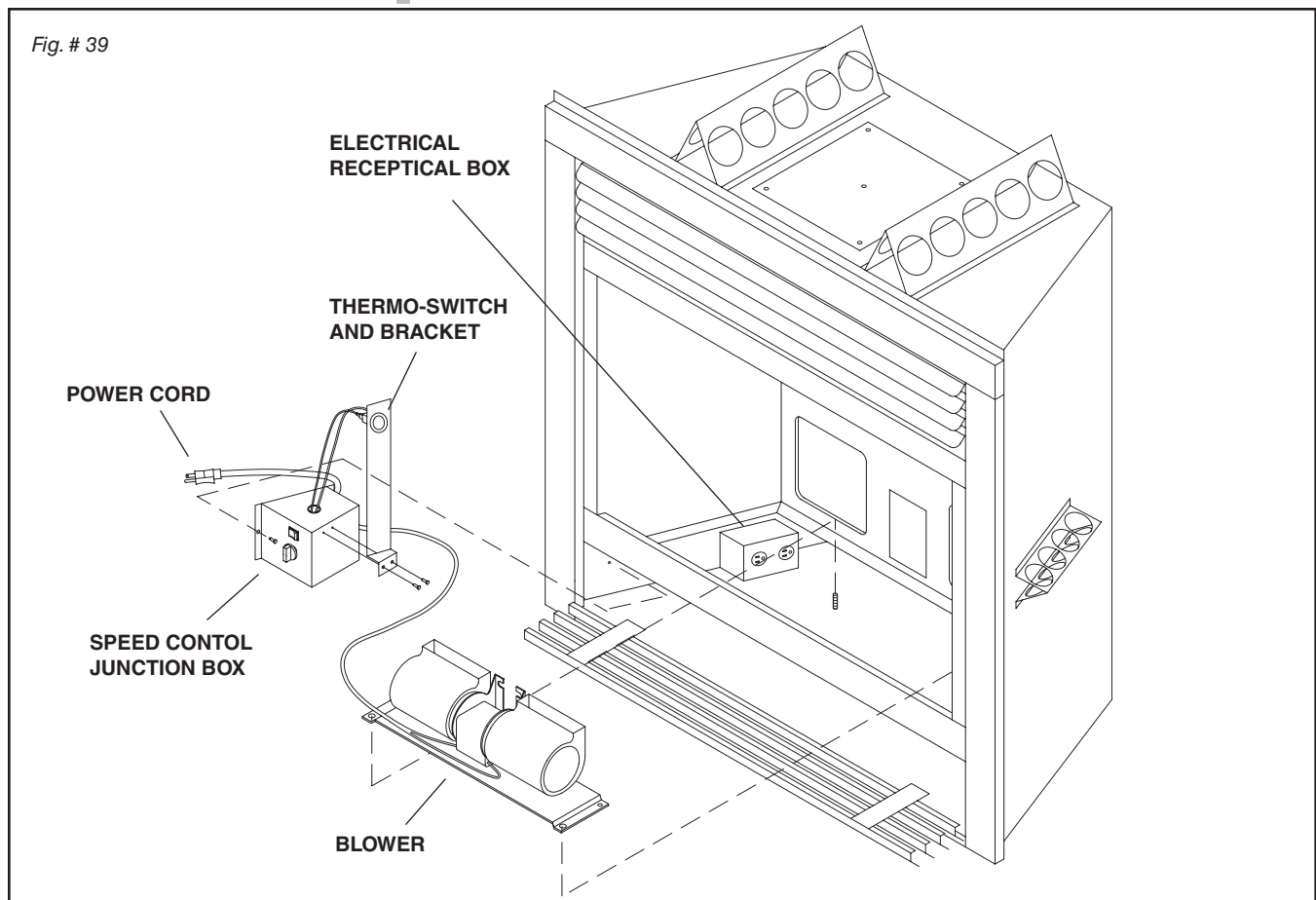


- 3) Slip the thermostat switch bracket in between the firebox and outer casing. Attach to speed control junction box with screws provided.
- 4) Plug in the fan kit.

### Operation:

The optional circulating air blower is thermostatically controlled and will not operate if appliance is cold. A few minutes after the appliance is lit and the variable speed control set at a desired setting, the blower will automatically turn on. The blower will automatically turn off a few minutes after the appliance is shut down.

The blower may also be operated manually. Push the rocker switch to manual position and the blower will operate independent of the burner provided the variable speed control is set.



## SCREEN DOOR INSTALLATION

**WARNING:** Non-combustible facing material and extended top stand-offs must be used if the Optional Screen Door is to be installed.

**Do not** install the Optional Screen Door onto an Estate Fireplace that was framed in without the extended top standoffs and non-combustible facing material.

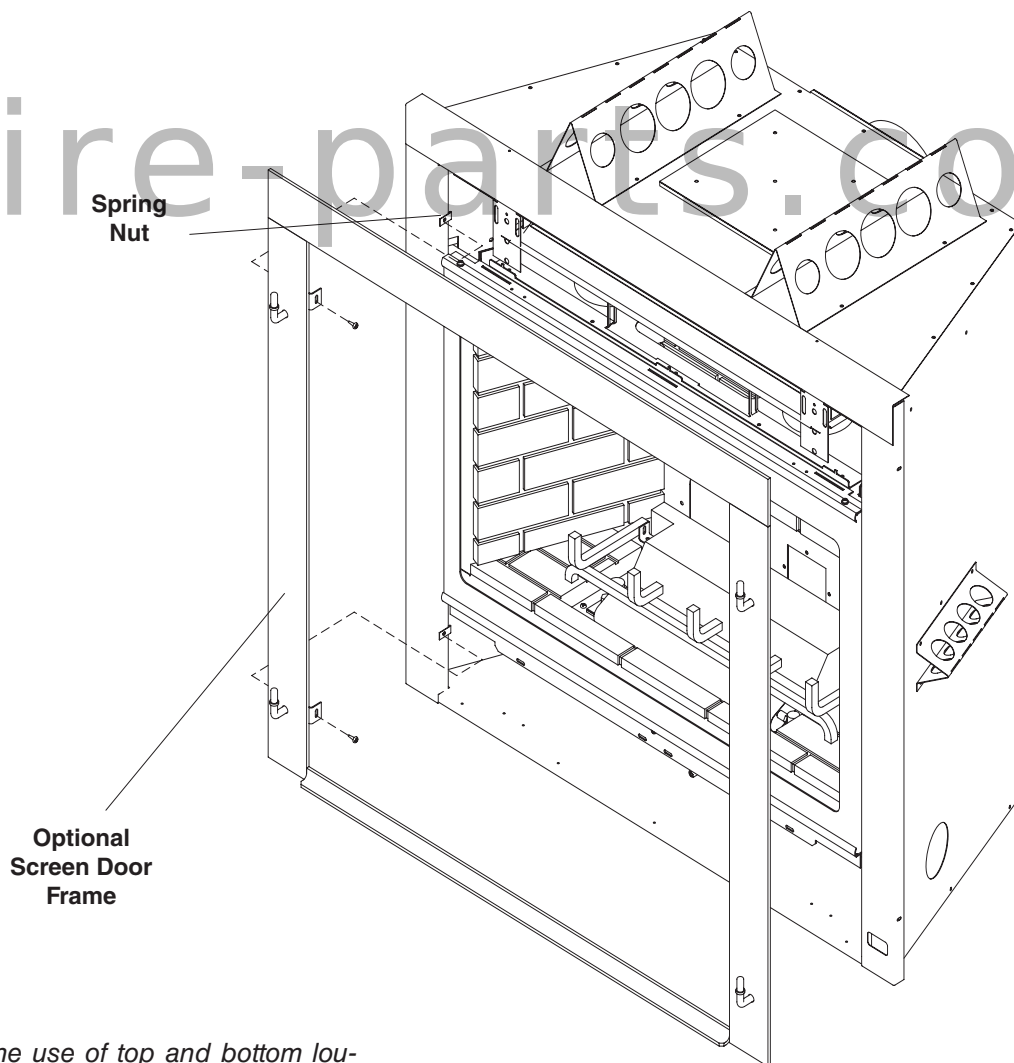
If the information in this manual is not followed, a fire may result causing **PROPERTY DAMAGE, PERSONAL INJURY OR LOSS OF LIFE!**

Unpack and inspect the Screen Door. A flathead, Phillips, or a #2 Robertson screwdriver is required to install this kit. The Screen Door must be installed before the optional top and bottom louvers.

- 1) Slide the spring nuts (supplied) over the slotted holes in the outer frame, one in each corner (see Fig. #41).
- 2) Position the Screen Door in place and fasten to the outer frame with the #8 x 1/2" screws provided.
- 3) The Screen Door may be adjusted up and down before tightening in place.

Fig. #41

### OPTIONAL SCREEN DOOR ATTACHMENT SHOWN WITH DOORS REMOVED



*The use of top and bottom louvers with the Screen Door is optional.*

## LIGHTING INSTRUCTIONS

### FOR YOUR SAFETY READ BEFORE LIGHTING

**WARNING:** If you do not follow these instructions exactly, a fire or explosion may result causing property damage, personal injury or loss of life.

- A. This appliance has a pilot which must be lighted by hand. When lighting the pilot, follow these instructions exactly.
- B. **BEFORE LIGHTING** smell all around the appliance area for gas. Be sure to smell next to the floor because some gas is heavier than air and will settle on the floor.  
**WHAT TO DO IF YOU SMELL GAS:**
  - Do not try to light any appliance.
  - Do not touch any electric switch; do not use any
- C. Use only your hand to push in or turn the gas control knob. Never use tools. If the knob will not push in or turn by hand, don't try to repair it, call a qualified service technician. Force or attempted repair may result in a fire or explosion.
- D. Do not use this appliance if any part has been under water. Immediately call a qualified service technician to inspect the appliance & to replace any part of the control system & any gas control which has been under water.

phone in your building.  
- Immediately call your gas supplier from a neighbour's phone. Follow the gas supplier's instructions.

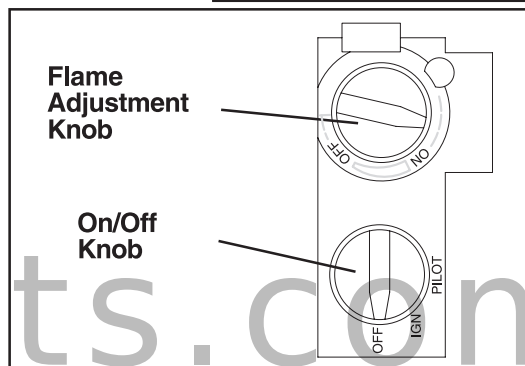
- If you cannot reach your gas supplier, call the fire department.

## LIGHTING INSTRUCTIONS

1. **STOP!** Read the safety information above on this label.
2. Turn off all electric power to the appliance.
3. Open the right hand trim panel to access the controls.
4. Set flame adjustment knob to its lowest setting, fully clockwise ↻.
5. Partially depress and turn gas control knob clockwise ↻ past "Pilot" to "Off" position.  
**Note:** Knob cannot be turned from "Pilot" to "Off" unless knob is pushed in slightly. Do not force.
6. Allow sufficient length of time (minimum 5 minutes) for any gas in the combustion chamber to escape. If you still smell gas, **STOP!** Follow "B" in the safety information above on this label. If you don't smell gas, go to the next step.
7. Push in and turn the On/Off counter-clockwise ↶ until resistance is felt, just before the IGN position.
8. Keep depressed for a few seconds to allow gas flow then, keeping the knob depressed, turn to the pilot position to light the pilot. Hold the knob for a further 5 seconds then release. The knob should pop out and the pilot should remain lit.

If pilot does not stay lit, repeat steps 6 through 8, allowing a longer period before releasing gas control dial.

- If the pilot will not stay lit after several tries,



9. Turn gas control knob counter-clockwise ↶ to "On" position.
10. Turn flame adjustment knob to desired setting.
11. Close the right hand trim panel.
12. Turn on all electric power to the appliance.
13. Use the remote control to operate the fireplace to the desired settings.

**Note:** Sufficient time must be allowed for air to escape from lines if the unit is being lit for the first time.

### TO TURN OFF GAS TO APPLIANCE

1. Set flame adjustment knob to lowest setting, if applicable.
2. Turn off all electric power to the appliance if service is to be performed.
3. Push in gas control knob slightly and turn clockwise ↻ to "Off". Do not force.

**PACIFIC ENERGY**

CANADA'S FINEST STOVES

5051.14

200704

5-BDWA

## FIRST FIRE

When lit for the first time, the appliance will emit a slight odour for a couple of hours. This is due to the curing of paints, sealants and lubricants used in the manufacturing process. This condition is temporary. Open doors and windows to ventilate the area. Smoke and fumes caused by the curing process may cause discomfort to some individuals.

## MANUAL OPERATION

Once the burner has been lit, see lighting instructions, the heat can be adjusted by rotating the flame adjustment knob. Rotate the knob to fully counter clockwise to give the high setting and fully clockwise for the low setting.

### Extend Shutdown:

To shutdown the appliance including the pilot, partially depress and turn gas valve knob clockwise past "PILOT" to "OFF" position. **DO NOT USE EXCESSIVE FORCE.**

**NOTE:** The control has an interlock device, which does not allow the pilot to be lit when the appliance is at operating temperature. Let the appliance cool down (approx. 60 sec.) before attempting to relight the pilot. **DO NOT** use excessive force to rotate the control knob.

## REMOTE OPERATION

The Broadway Direct Vent Insert comes equipped with a thermostatic remote control.

Once a pilot light has been established, and the gas control knob turned to the "ON" position, the burner may be turned on or off simply with the remote control.

The remote can be operated in three ways.

### 1) Manual operation

Simply press the large "UP" or "Down" buttons, the word "Man" as well as a large arrow in the upper left corner will be displayed.

To raise the flame press the "up" button, and to lower the flame press the "down". In this mode the "auto" and "Timer" functions are overridden.

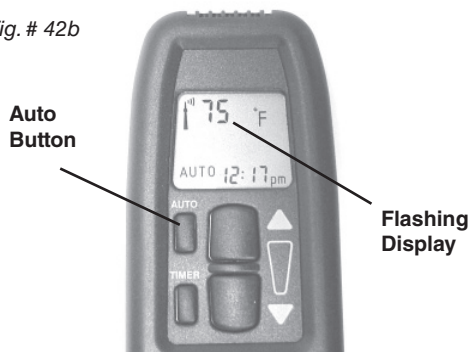
Fig. # 42a



### 2) Auto / Thermostatic operation

Push and hold the "Auto" button until the temperature reading on the hand set display flashes. While it is flashing push the large "up" and "down" buttons until the desired temperature is displayed, then wait until the temperature stops flashing. The remote will now check the temperature of the room every five minutes and adjust the fire up or down to suit the temperature you have set.

Fig. # 42b



### 3) Timer setting

The third option is to program the fireplace to operate at set times. It has two "on" and "off" cycles which allows you to program the fire to come on just before you get up, shut down just after you leave, be on again when you get back and the shut down for the night.

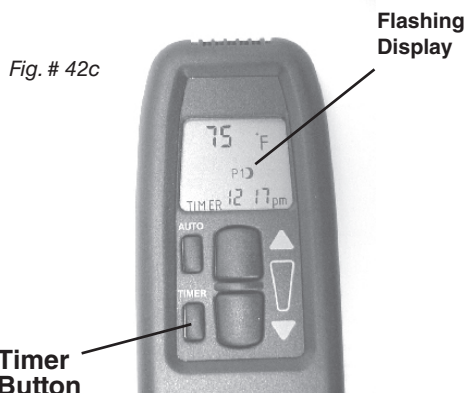
Program this feature as follows:

- Set the temperature as per (2), Auto / Thermostatic operation, if not already done.
- Press and hold the "timer" button and it down until "P1\*" is displayed in the handset. When its flashing press the large up and down buttons to set the time you would like the fireplace to come on in the morning.
- Press timer again and the "P1(moon)" will appear, set the time you wish the fireplace to go off when you leave.
- Press timer a third time "P2\*" will appear, this is the time you would like the fireplace to come on when you return, set this again by using the large up and down buttons.

e) Press the "timer" button for the fourth and final time, the "P2 (moon)" appears, set the time you wish the fireplace to go off in the evening using the large "up" and "down" buttons. Wait until the display stops flashing.

The on/off times and temperature are now set. The fireplace will come on and off at the times you have set and keep the room at the temperature you set.

If you want to override the timer feature, just press "auto" to put you back into thermostat only setting or the large up and down buttons to put you in manual operation.



### Extended Shutdown:

To shutdown the appliance including the pilot, partially depress and turn gas control knob clockwise past "PILOT" to the "OFF" position. DO NOT FORCE.

NOTE: The control has an interlock device which does not allow the pilot to be lit when the appliance is at operating temperature. Let the appliance cool down (approx. 60 sec.) before attempting to relight the pilot. DO NOT use force to rotate the control knob.

## PRIMARY AIR ADJUSTMENT

This appliance is provided with a primary air adjustment, which affects flame height and flame quality by controlling the air shutter opening. This adjustment is preset at the factory for the best flame appearance for most installations. Any adjustment beyond the factory preset should be done by a qualified service person.

**Caution: Allow the appliance to cool!**

### To Adjust:

- Remove the window and logs as needed to access air shutter on right side of burner.
- Slacken screw on air shutter and adjust as required. Re-tighten screw.
- Refit logs and window

**Caution: Proper air shutter setting is a must.**

Fig. # 43





## REPLACEMENT PARTS

Fig. # 44

(WHEN ORDERING, INCLUDE PART NUMBER WITH DESCRIPTION)

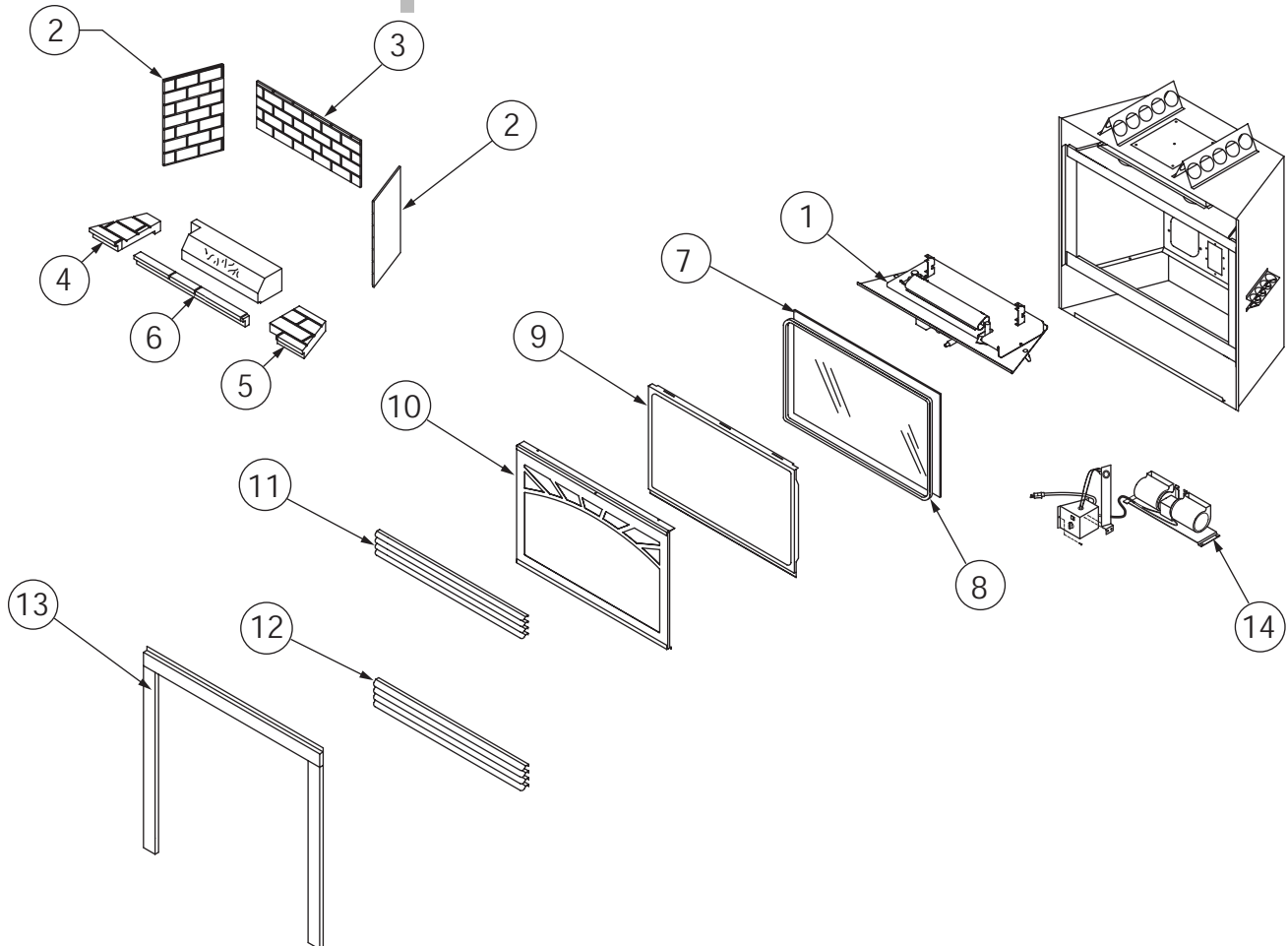
ITEM DESCRIPTION	PART NO.	ITEM DESCRIPTION	PART NO.
1.....BURNER ASSEMBLY.....	BRNA.3770	12.....LOUVER, BOTTOM ASSEMBLY.....	ESTD.1721__
2.....PANEL, RIGHT OR LEFT SIDE.....	5098.403	13.....FRONT FACING FRAME.....	ESTD.1714
3.....PANEL, BACK.....	5098.402	14.....OPTIONAL BLOWER KIT.....	ESTG.BLOWA
.....ESTATE FLOOR PANEL SET.....	5098.40041	.....LOG SET, COMPLETE.....	5097.26141
4.....LEFT SIDE FLOOR PANEL.....	5098.4002	#1.....EMBER FLOOR (part of log set).....	5097.26105
5.....RIGHT SIDE FLOOR PANEL.....	5098.4003	#2.....LEFT REAR LOG.....	5097.2611
6.....CENTER FLOOR PANEL.....	5098.4004	#3.....RIGHT REAR LOG.....	5097.2612
7.....REPLACEMENT GLASS.....	5034.3	#4.....FRONT RIGHT LOG.....	5097.26
8.....WINDOW GASKET KIT.....	ESTD.50671	#5.....MIDDLE MIDDLE LOG.....	5097.23
9.....GLASS FRAME.....	ESTG.17265	#6.....FRONT LEFT LOG.....	5097.25
10.....OPTIONAL OVERLAY.....		#7.....RIGHT FRONT CHUNK.....	5097.2614
.....Radiant, Porcelain.....	ESTD.ROP__	#8.....LEFT FRONT CHUNK.....	5097.2613
.....Radiant, Met. Black.....	ESTD.ROMBK		
11.....LOUVER, TOP ASSEMBLY.....	ESTD.1719__		

All parts may be ordered from your nearest Pacific Energy Gas Stove dealer. Contact Pacific Energy for the location of the dealer nearest you.

When ordering Overlays and Louvers, please specify the appropriate finish code. Codes are as follows:

Porcelain Finish	Black.....BK	Paint Finish	Metallic Black.....MBK
	Green.....GN	Plated Finish	Brass.....GD
	Ivory.....IV		Nickle.....NI

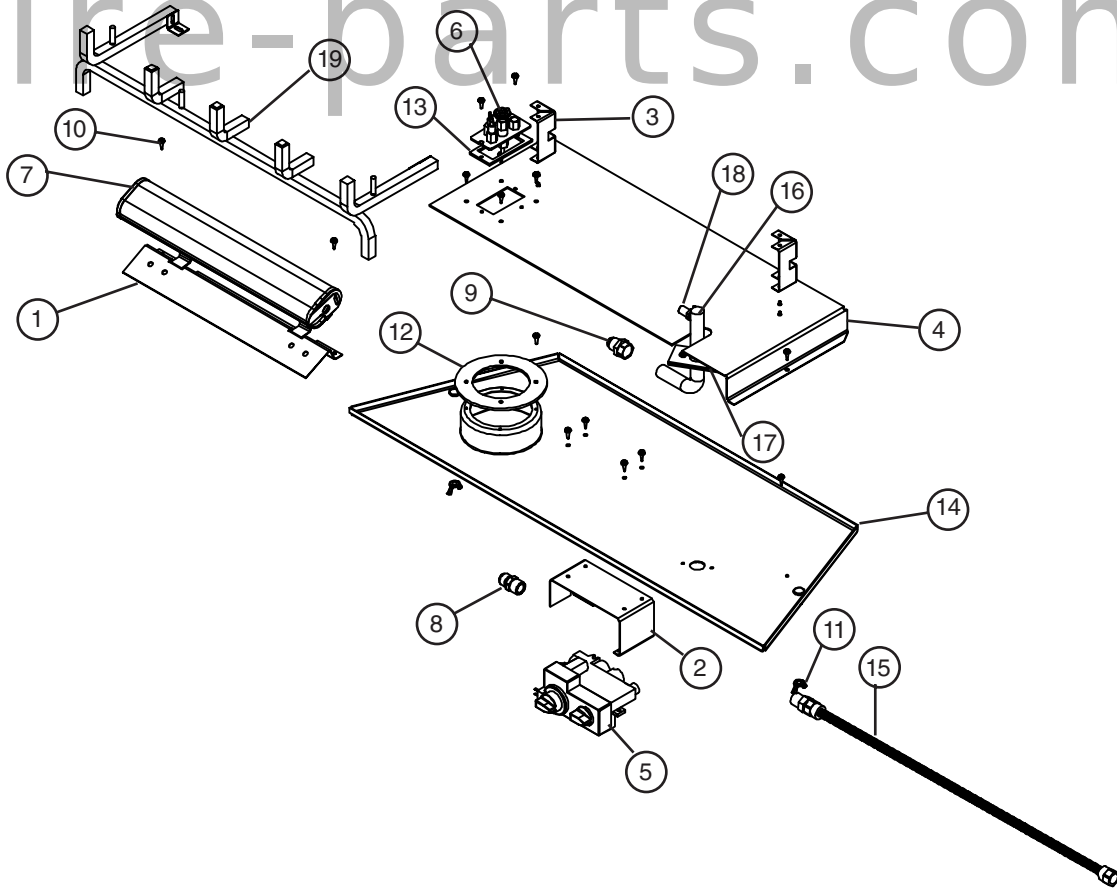
Fig. #44



**BURNER REPLACEMENT PARTS**  
(WHEN ORDERING, INCLUDE PART NUMBER WITH DESCRIPTION)

ITEM DESCRIPTION	PART NO.	ITEM DESCRIPTION	PART NO.
1.....BURNER MOUNTING BRACKET.....	2811.02	10.....SCREW, #8x1/2" (20 required).....	5041
2.....VALVE BRACKET.....	3730	11.....WING NUT, 1/4-20 (2 required).....	5049.3
3.....GRATE REAR STANDOFF.....	3761	12.....GASKET, HEAT EXCHANGER.....	5068.18855
4.....VALVE TRAY.....	3771	13.....GASKET, PILOT ASSEMBLY.....	5068.2893
5.....GAS VALVE, NG.....	5007.001	14.....VALVE TRAY ASSEMBLY.....	ESTH.3770
6.....PILOT ASSEMBLY, NG.....	5009.156	15.....BURNER SUPPLY TUBE ASSEMBLY.....	5023.15
.....ELECTRODE ASSEMBLY c/w WIRE.....	5009.5001	16.....ESTATE MANIFOLD.....	ESTH.5012502
.....THERMOCOUPLE.....	5010.3	17.....MANIFOLD GASKET.....	5068.2892
.....PILOT SUPPLY TUBE c/w FITTINGS.....	5003.0001	18.....ORIFICE, 50% NG #39.....	5021.33
.....PILOT ORIFICE, NG.....	5009.17	19.....GRATE ASSEMBLY.....	ESTH.3760
7.....BURNER.....	5011.9		
8.....FITTING, CONNECTOR 3/8".....	5019.1		
9.....FITTING, CONNECTOR 46-6C.....	5020.5		

All parts may be ordered from your nearest Pacific Energy Gas Stove dealer. Contact Pacific Energy for the location of the dealer nearest you.



# APPENDIX A

## Louver Installation Guide

*The Estate*

Metallic Black  
Gold  
Nickel

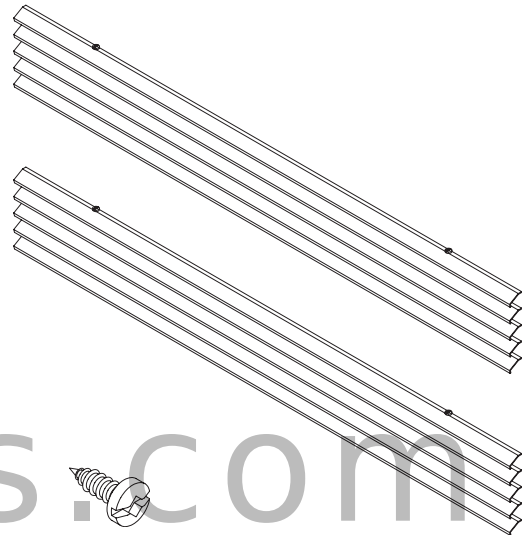
ESTD.BKLVR  
ESTD.GDLVRA  
ESTD.NILVRA

### This kit contains:

1.....Top Louver

1.....Bottom Louver

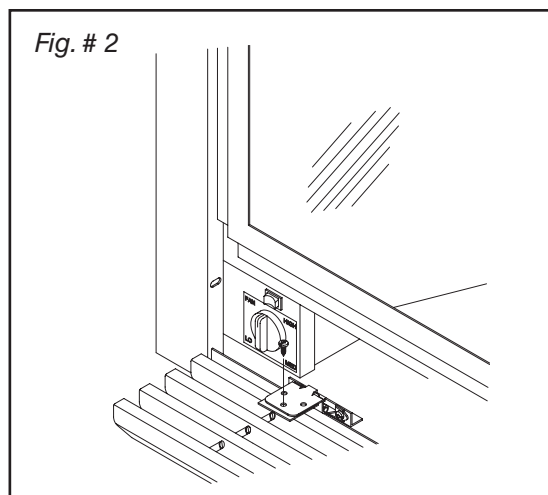
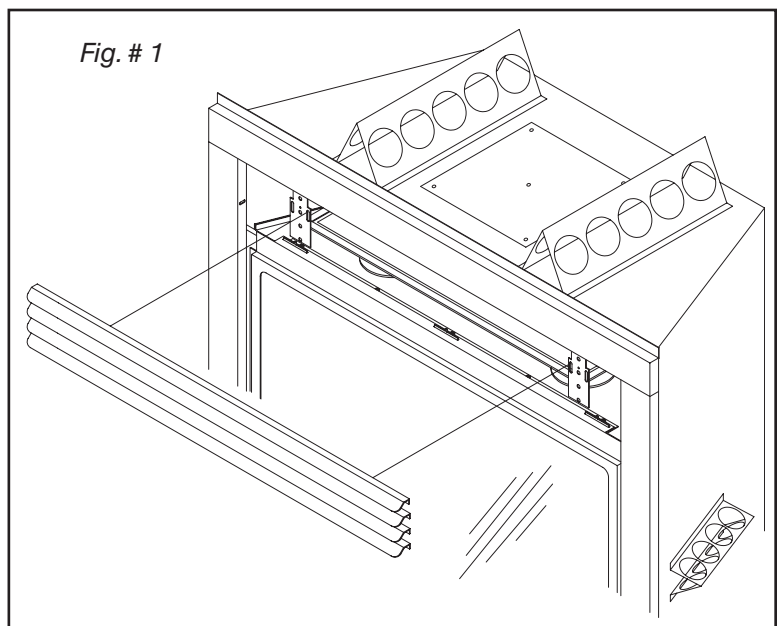
2.....#8 x 1/2" sheet metal screws



### Installation

Unpack and inspect all parts. A flathead or a #2 Robertson screwdriver is required to install the louvers.

- 1) Hook the top louver into the slots in the upper brackets. (see Fig. #1)
- 2) Fasten bottom louver to the hinge brackets at the bottom of the appliance. (see Fig. # 2)



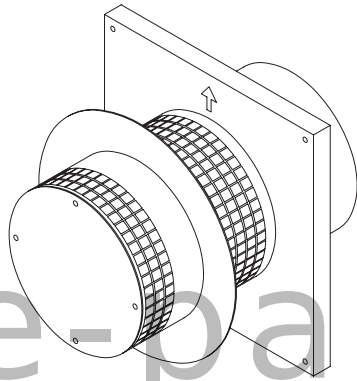
**PACIFIC  
ENERGY**

# Wall Termination Kit GASC.WALKIT

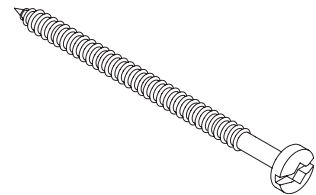
This vent kit is for use with these models: The ESTATE and The ESTEEM fireplaces. Please refer to the Installation Instructions provided with the appliance for proper venting installation.

## This box contains:

1 ..... Horizontal Vent Terminal

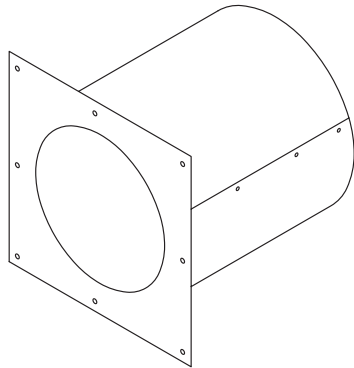


4 ..... #8 x 2 1/2" wood screws

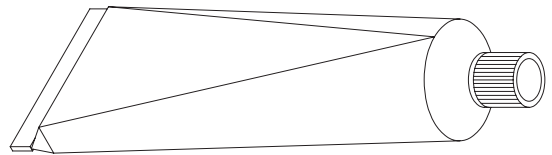


fire-parts.com

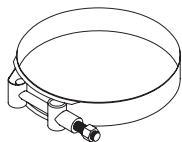
1 ..... Wall / Roof Thimble



1 ..... High Temperature Sealant



1 ..... 4 1/2" Pipe Clamp



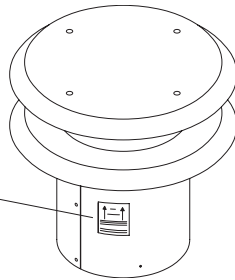
# Roof Termination Kit ESTD.ROTKIT



This vent kit is for use with these models: The ESTATE and The ESTEEM fireplaces. Please refer to the Installation Instructions provided with the appliance for proper venting installation.

This box contains:

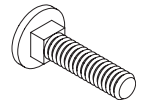
1 ..... Roof Vent Terminal  
c/w Label 7-ESTA



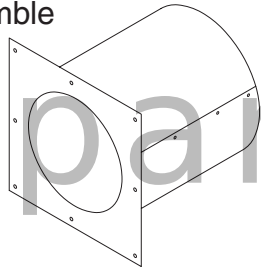
3 ..... #8 x 1/2" sheet metal screws  
(plated)



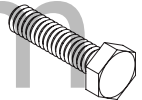
4 ..... 1/4" x 1" Carriage Bolt (plated)



1 ..... Wall / Roof Thimble



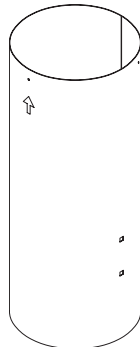
1 ..... 1/4" x 1" Bolt (plated)



5 ..... 1/4" Nuts (plated)



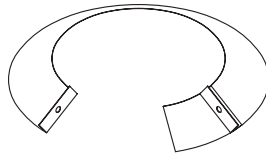
1 ..... Support Sleeve



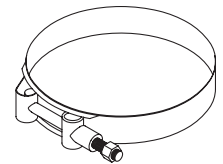
5 ..... 1/4" Flat Washers (plated)



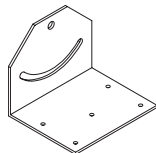
1 ..... Storm Collar



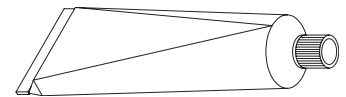
1 ..... 4 1/2" Pipe Clamp



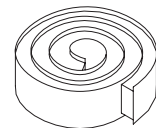
2 ..... Roof Brackets



1 ..... High Temperature Sealant



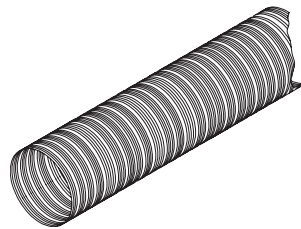
1 ..... Mastic



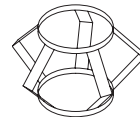
**This vent kit is for use with these models: The ESTATE and The ESTEEM fireplaces.  
Please refer to the Installation Instructions provided with the appliance for proper  
venting installation.**

**This box contains:**

5' ..... 4" Flex Vent



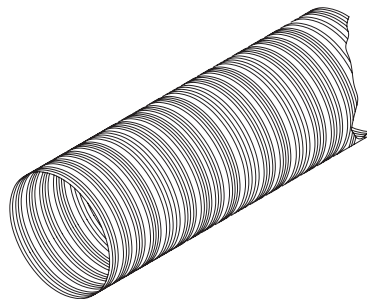
3 ..... Pipe Spacer



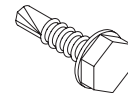
fire-parts.com

2 ..... #8 x 1/2" sheet metal screws

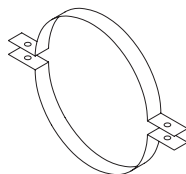
5' ..... 8" Flex Vent



8 ..... #10 x 5/8" teks screws



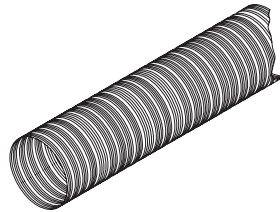
1 ..... Pipe Support Set (2 pc.)



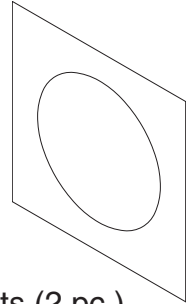
This vent kit is for use with these models: The ESTATE and The ESTEEM fireplaces. Please refer to the Installation Instructions provided with the appliance for proper venting installation.

**This box contains:**

10' ..... 4" Flex Vent

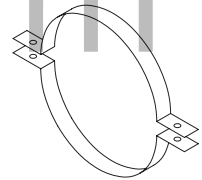
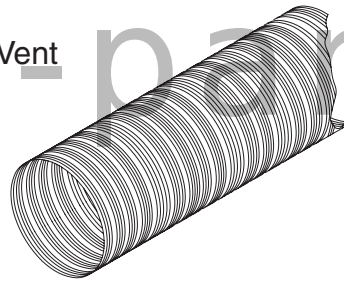


1 ..... Firestop



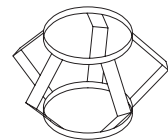
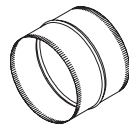
4 ..... Pipe Support Sets (2 pc.)

10' ..... 8" Flex Vent



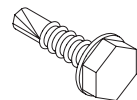
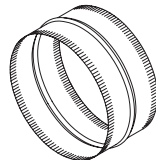
5 ..... Pipe Spacer

1 ..... 4" Vent Connector

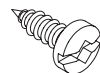


8 ..... #10 x 5/8" Teks screws

1 ..... 8" Vent Connector



8 ..... #8 x 1/2" sheet metal screws



NOTES

fire-parts.com



NOTES

fire-parts.com

NOTES

fire-parts.com

# Safety Label



Pacific Energy Fireplace Products Ltd.  
 Duncan, British Columbia, Canada  
 Certified for / Certifié pour  
 Canada and U.S.A.



WH-

WH-

**MADE IN CANADA**  
**FABRIQUE AU CANADA**

MODEL/  
 MODELE: **THE ESTATE**      SERIES/  
 SERIE: **H**

This Appliance is Equipped For use With /  
 Cet Appareil est Équipé Pour Utiliser Avec :

NATURAL GAS GAZ NATUREL	■	LP-GAS LP GAZ	■
----------------------------	---	------------------	---

FOR USE WITH/ EN CASE D'EMPLOI AVEC:	NATURAL GAS/ DU GAZ NATUREL	LP GAS/ DU GAZ LP
Minimum supply pressure / Pression minimum d'alimentation: (For the purpose of input adjustment / dans le but de régler l'alimentation)	5.0 in/wc / 5.0 po/c.e. (1.25 kPa)	12.5 in/wc / 12.5 po/c.e. (3.11 kPa)
Maximum supply pressure / Pression maximum d'alimentation:	13.9 in/wc / 13.9 po/c.e. (3.45 kPa)	13.9 in/wc / 13.9 po/c.e. (3.45 kPa)
Manifold pressure / Pression de la tuyauterie: Maximum	3.8 in/wc / 3.8 po/c.e. (.95 kPa)	11.0 in/wc / 11.0 po/c.e. (2.74 kPa)
Orifice Size / Diametre de l'injecteur:	# 39 (2.53 mm)	1.45 mm
Input BTU/hr (kW) / Entree BTU/h (kW):	Max.: 30,000 (8.8) Min.: 15,000 (4.4)	Max.: 25,000 (7.3) Min.: 12,500 (3.7)

**VENTED GAS FIREPLACE HEATER - NOT FOR USE WITH SOLID FUEL**  
**FOYER AU GAZ À ÉVACUATION - NE PAS UTILISER AVEC DU COMBUSTIBLE SOLIDE**  
 ANSI Z21.88a - 2003 / CSA 2.33a - 2003 Vented Gas Fireplace Heaters  
 CAN/CGA - 2.17 - M91 Gas-Fired Appliance For Use At High Altitudes.

Optional components: Fan Kit (# ESTG.BLOWA), Mantel Shield (# ESTD.MS\_ ), Screen Door (ESTF.SDRBKA) / Éléments facultatifs: Ventilateur (#ESTG.BLOWA), Bouclier du manteau (# ESTD.MS\_ ), Garde-feu de la Porte (ESTF.SDRBKA).

Blower electrical rating: 115v, 60hz, 0.5A / Normes électriques du ventilateur: 115v, 60hz, 0.5 A.  
 This appliance equipped for altitudes 0 - 4500 ft. (0 - 1372 m) / Cet unité est conçu pour des altitudes variant entre 0 - 4500 pieds (0 - 1372 m). Also certified for installation in a bedroom or a bedsitting room / Aussi certifié pour installation dans une chambre à coucher ou une salle de séjour. This appliance must be installed in accordance with local codes, if any; if not, follow the current CAN/CGA-B149 (Canada), or ANSI Z223.1 (USA). Cet appareil doit être installé conformément aux exigences des codes locaux. S'il n'existe aucun code local, se conformer à la norme CAN/CGA-B149 en vigueur.

**MANUFACTURED (MOBILE) HOME:** This appliance is only for use with the type of gas indicated on the rating plate and may be installed in an aftermarket, permanently located, manufactured (mobile) home where not prohibited by local codes. See owners manual for details. This appliance is not convertible for use with other gases, unless a certified kit is used.  
**FABRIQUEZ (MOBILE) MAISON:** Cet appareil doit être utilisé uniquement avec le type de gaz indiqué sur la plaque signalétique et peut être installé dans une maison préfabriquée (mobile) installée à demeure si les règlements locaux le permettent. Voir la notice du propriétaire pour plus de détails. Cet appareil ne peut être converti à d'autres gaz sauf si une trousse de conversion certifiée est utilisée. Install in accordance with the current standard Mobile Homes, CAN/CSA Z240 MH (in CANADA), and the Manufacturer's Home Construction and Safety Standard, Title 24 CFR, Part 3280, or the current Standard for Fire Safety Criteria for Manufactured Home Installations, Sites, and Communities ANSI/NFPA 501A, (in the U.S.A.). Cet appareil doit être installé conformément aux exigences de la norme CAN/CSA Z240 MH en vigueur de l'ACNOR, Installations de gaz dans les Constructions Mobiles.

This vented gas fireplace heater is not for use with air filters. / Ne pas utiliser de filtre à air avec ce foyer au gaz à évacuation. Only for direct discharge without duct connection. Pour sortie d'échappement directe sans gaine de distribution seulement.  
**FOR USE WITH GLASS DOORS CERTIFIED WITH THE APPLIANCE ONLY / POUR UTILISATION UNIQUEMENT AVEC LES PORTES EN VERRE CERTIFIÉES AVEC L'APPAREIL**

This vented gas fireplace heater is not for use with air filters. / Ne pas utiliser de filtre à air avec ce foyer au gaz à évacuation.

MINIMUM CLEARANCES TO COMBUSTIBLES / CLAIRANCES MINIMALES AVEC LES COMBUSTIBLE		
Left and Right side are determined when facing the front of the appliance. / Les côtés droit et gauche se déterminent en se mettant devant l'appareil et en lui faisant face.		
Sidewall to Appliance / Du mur latéral à l'appareil	6 in./ 6 po.	(152 mm)
Ceiling to Appliance / Plafond à l'appareil	35 1/2 in./ 35 1/2 po.	(902 mm)
Mantel to Appliance / Du manteau à l'appareil	17 in./ 17 po.	(432 mm)
Maximum Mantel Extension / Allongement maximum du manteau	12 in./ 12 po.	(305 mm)
Mantel Supports (Max. 3 1/2 in. Extension) / Supports du manteau (Max. 3 1/2 po. Extension)	0 in./ 0 po.	(0 mm)
Pacific Energy Flex Pipe system / le système Conduit Flexible de Pacific Energy	1 in./ 1 po.	(25 mm)
Dura-Vent GS system / le système Dura-Vent GS	1 3/4 in./ 1 3/4 po.	(45 mm)

**WARNING:** Improper installation, adjustment, alteration, service or maintenance can cause injury or property damage. Refer to the owner's information manual provided with this appliance. For assistance or additional information, consult a qualified installer, service agency or the gas supplier.

300506

5050.71.C

1-ESTH



fire-parts.com

**Pacific Energy Fireplace Products Ltd.**

**Technical Support: 1-877-715-2664**

**[www.pacificenergy.net](http://www.pacificenergy.net)**

**2975 Allenby Rd., Duncan, B.C. V9L 6V8**

Printed in Canada