

The
Mirage
Direct Vent Insert

**INSTALLATION
AND
OPERATING
INSTRUCTIONS**



**SERIES A
DIRECT VENT
FIREPLACE INSERT**

WARNING: If the information in this manual is not followed exactly, a fire or explosion may result causing property damage, personal injury or loss of life.

-- Do not store or use gasoline or other flammable vapors and liquids in the vicinity of this or any other appliance.

-- **WHAT TO DO IF YOU SMELL GAS**

- Do not try to light any appliance.
- Do not touch any electrical switch; do not use any phone in your building.
- Immediately call your gas supplier from a neighbour's phone. Follow the gas supplier's instructions.
- If you cannot reach your gas supplier, call the fire department.

--Installation and service must be performed by a qualified installer, service agency or the gas supplier.

WARNOCK HERSEY



IMPORTANT: THESE INSTRUCTIONS ARE TO REMAIN WITH THE HOMEOWNER

Contents

Caution	3
Safety	3
Maintenance	3
Installation	4
Clearances	5
Venting	6
Rocker Switch.....	7
Gas Supply	8
Burner Assembly	8
Brick Panels Installation.....	10
Levelling Legs	10
Log Set	11
Surround Assembly	12
First Fire	13
Operation	13
Primary Air Adjustment	13
Optional Blower	15
Replacement Parts	16
Glass Frame Removal.....	18
Optional Radiant Overlay.....	18
Appendix A.....	19
Vent Terminal Kit	19
Vent Terminal Flashing Installation Guide	20
Optional Blower Kit	21
Louver Kit Installation Guide	22
Safety Label	23

fire-parts.com

Caution

FOR YOUR SAFETY - Do not install or operate your Pacific Energy Mirage Direct Vent Gas Insert without first reading and understanding this manual. Any installation or operational deviation from the following instructions voids the Pacific Energy Gas Stove Warranty and may prove hazardous.

This appliance and its individual shutoff valve must be disconnected from gas supply piping system during any pressure testing of that system at test pressures in excess of 1/2 psig. (3.5 kPa)

This appliance must be isolated from the gas supply piping system by closing its individual manual shutoff valve during any pressure testing of the gas supply piping system at test pressures equal to or less than 1/2 psig. (3.5 kPa)

Note: When lit for the first time, the appliance will emit a slight odour for a couple of hours. This is due to the curing of paints, sealants and lubricants used in the manufacturing process. This condition is temporary. Open doors and windows to ventilate area. Smoke and fumes caused by the curing process may cause discomfort to some individuals.

Safety

Due to high temperatures, this gas appliance should be located out of traffic and away from furniture and draperies.

Children and adults should be alerted to the hazards of high surface temperature and should stay away to avoid burns or clothing ignition.

Young children should be carefully supervised when they are in the same room as the appliance.

Clothing or other flammable material should not be placed on or near the appliance.

Any grill, panel or door removed for servicing the unit must be replaced prior to operating. Failure to do so may create a hazardous condition.

Installation and repair should be done by a qualified service person. The appliance should be inspected before use and at least annually by a professional service person. More frequent cleaning may be required due to excessive lint from carpeting, bedding material, etc. It is imperative that control compartments, burners and circulating air passageways of the appliance be kept clean.

It is Pacific Energy's policy that no responsibility is assumed by the Company or by any of its employees or representatives for any damages caused by an inoperable, inadequate, or unsafe condition which is the result, either directly or indirectly, of any improper operation or installation procedures.

Maintenance

Caution: Turn off gas and electrical power supply and allow ample time for unit to cool before servicing appliance. It is recommended that this appliance and venting should be inspected at least once a year by a qualified service person. Do not use this heater if any part has been under water. Immediately call a qualified service technician to inspect the heater and to replace any part of the control system and any gas control which has been under water.

Annual Inspection:

- Clean louvers and air passage ways of excessive lint buildup from carpeting, bedding material, etc. The flow of combustion and ventilation air must not be obstructed.
- Remove glass panel and log set. Inspect logs and burner assembly for lint and soot buildup. If excessive buildup of soot is present, have a qualified service person inspect and adjust unit for proper combustion. Clean logs and burner with a vacuum cleaner, paying close attention to burner ports.
- Check the pilot system for proper operation. (See Fig. #1)
- Check that the chimney flue and its outlet are open and free from blockage or debris.
- Check glass panel gasket, replace if necessary.

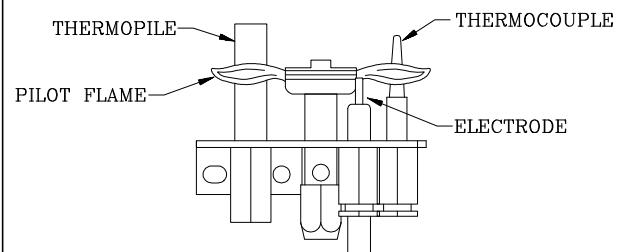
Note: The appliance area must be kept clear and free from combustible materials, gasoline and other flammable vapours and liquids.

Periodically:

- Viewing glass may be cleaned with glass cleaner.
- Exterior porcelain enamel finish may be cleaned with soap and water.

Note: Never use abrasives to clean this appliance.

Fig. # 1



Installation

The Mirage Direct Vent Gas Insert installation and venting must conform to the current CAN/CGA-B149 installation code (in Canada) or the National Fuel Gas Code, ANSI Z223.1 -1988 (in the USA), and approved per local codes. Only qualified (licensed or trained) personnel should install this product.

Existing Fireplace (Masonry or Factory Built)

The Mirage Direct Vent Gas Insert is designed to be installed into a masonry or a factory built zero clearance fireplace. The masonry fireplace must be built according to the requirements of the standards for chimneys, fireplaces, vents and solid fuel burning appliances, NFPA 211 (Latest Edition) or applicable National, Provincial, State or local codes. The factory built zero clearance fireplace and its chimney must be certified and meet applicable National, Provincial, State or local codes.

In order to sufficiently accommodate the Mirage Direct Vent Gas Insert, the minimum size of the fireplace should be 28-3/8 inches wide, 20-3/4 inches high and 15 inches deep (see Fig.#2).

The fireplace and its chimney should be swept and inspected. The existing fireplace damper (if present) should be locked open or removed completely if the opening is too small for two - 3" flue liners to pass through.

Fig. # 3

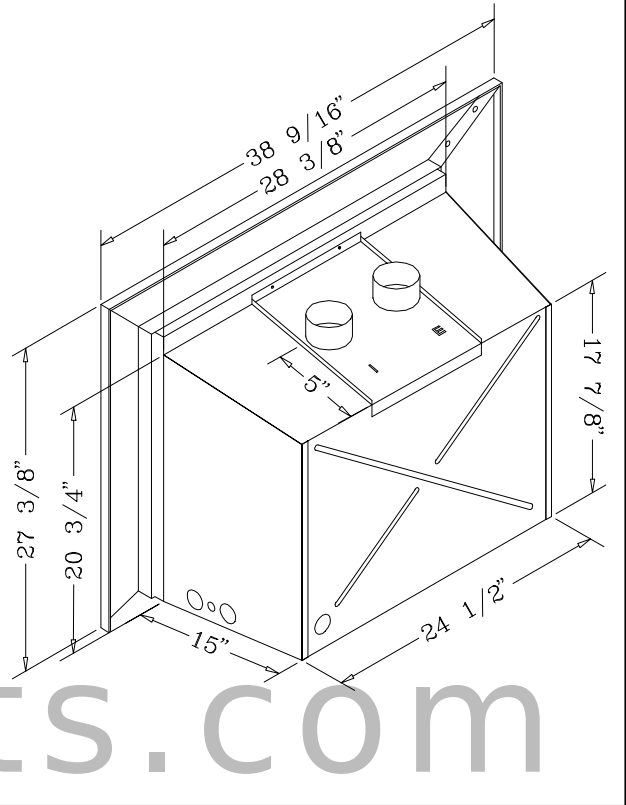
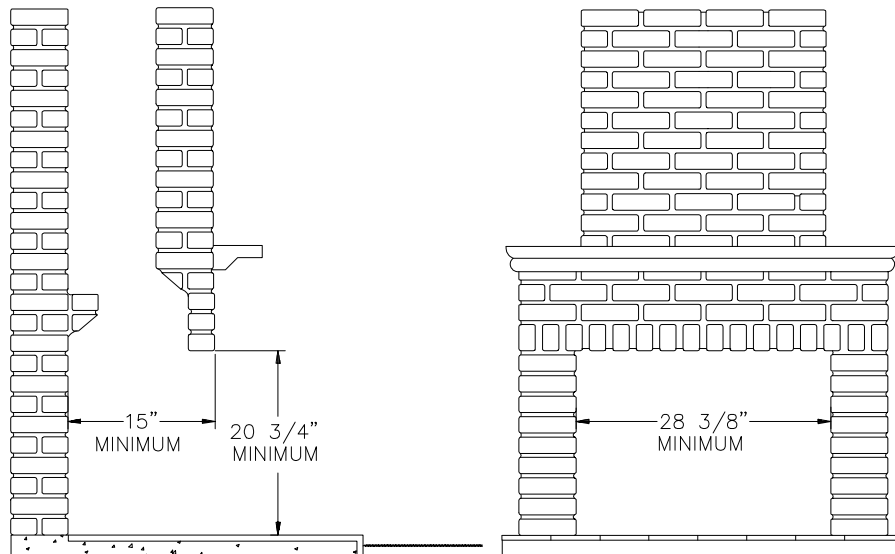


Fig. # 2



Clearances

The minimum clearances from the appliance to combustible surfaces are shown on Fig. #4 and #5. Adequate clearances around air openings and combustion air supplies are required.

MINIMUM CLEARANCES TO COMBUSTIBLES:

- Adjacent sidewall: 6.0 in. (152 mm)
- Ceiling to appliance: 50 in. (1270 mm)
- Mantel to appliance: 18 in. (457 mm)
- Maximum mantel extension: 12 in. (305 mm)
- Mantel top support to appliance 18 in. (457 mm)
- Mantel side support to appliance 6 in. (150 mm)

Fig. #5

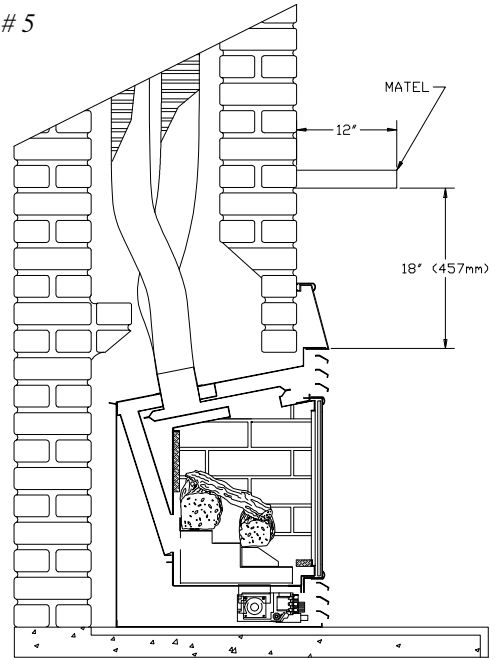
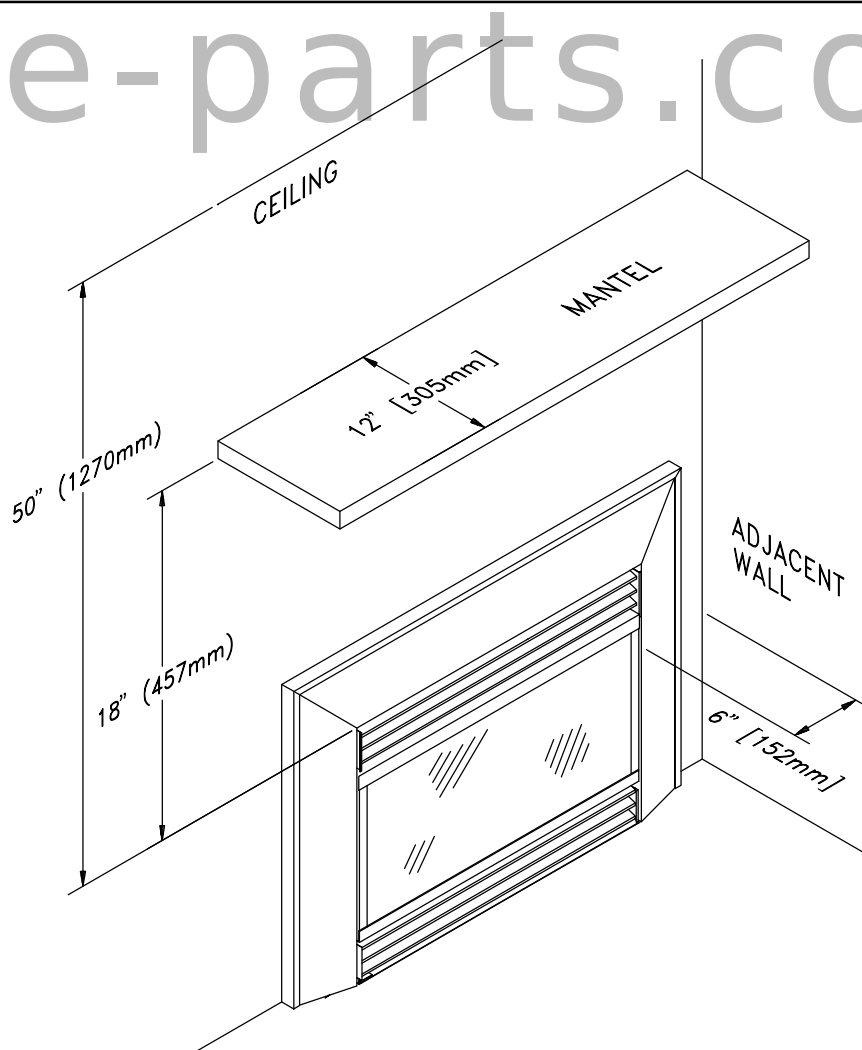


Fig. #4



Venting

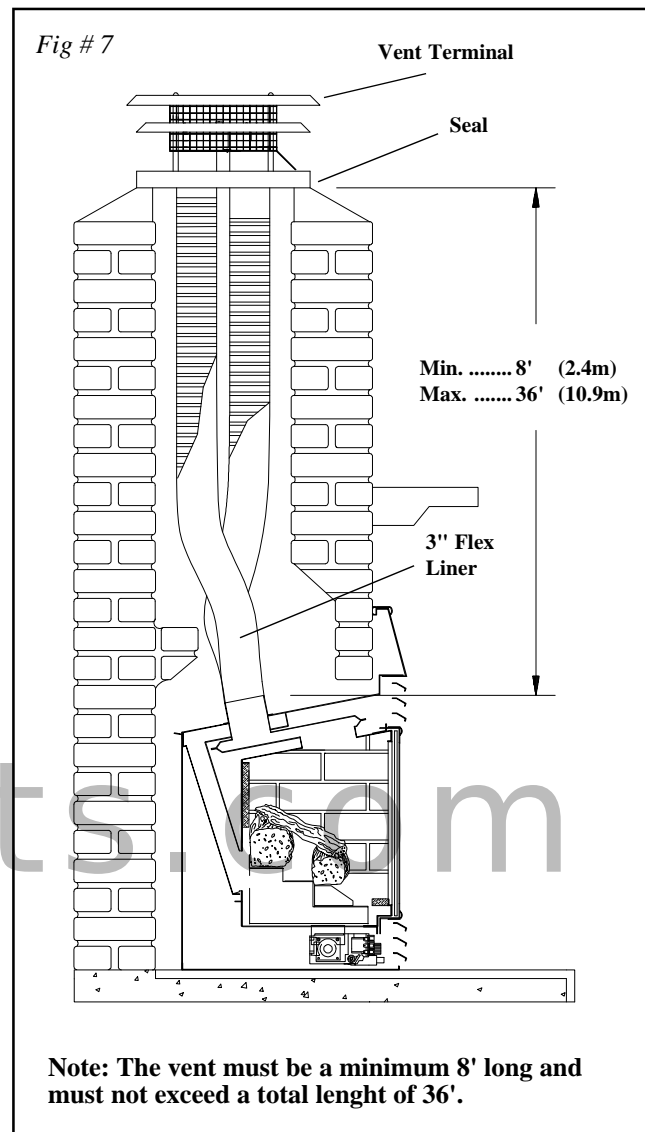
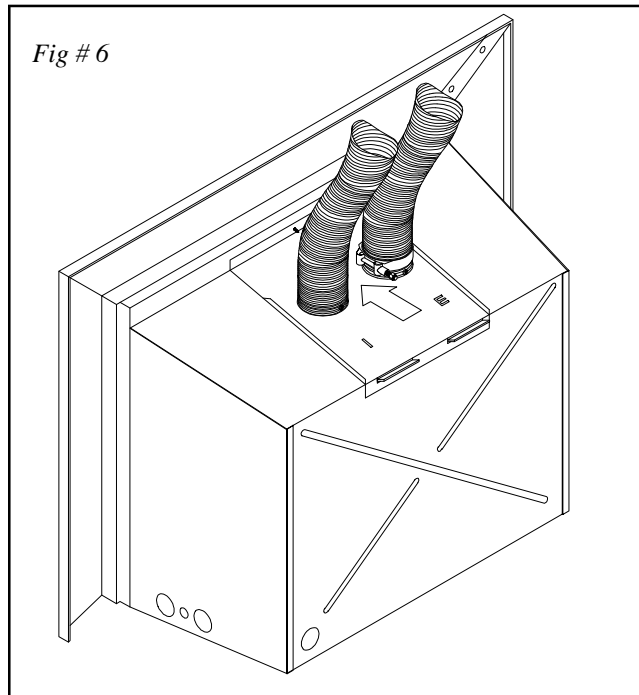
Caution: Only Flex Liner kit (MIND.FL25) or an approved gas vent flue liner and a Vent Terminal (MIND.VTTERM) is approved for use with this appliance.

Also approved for use is Simpson Dura-Vent GS termination kits, both Standard Vertical Termination cap (#980) and the Extended Vertical Termination cap (#930) in conjunction with the 3" Co-Linear Termination kit (#923GK).

No other venting system or components may be used.

- 1) Measure chimney height and cut flex liner as required. Mark one of the pipes with a stripe to identify combustion air intake pipe from flue outlet pipe.
- 2) Attach marked flex liner pipe to the intake side (longer collar) of vent terminal. Seal and secure with sealant and screws provided. Attach the other pipe to the outlet side of vent terminal. Seal and secure with sealant and screws provided.
- 3) Insert both flex liners from top of the chimney, down through the damper opening.
- 4) The vent terminal is sized to fit most typical chimneys. Before attaching vent terminal to top of chimney, apply a bead of caulking to top of clay liner. Slip vent terminal over liner and secure in place with lateral retaining bolts.
- 5) For larger chimneys, an optional flashing is available which may be cut and fitted to suit. The flashing attaches to the underside of the terminal with four nuts provided. Caulk the flashing in place to seal any gaps.

The vent terminal must be sealed in place to prevent water from entering the existing chimney.



- 6) Remove the screw located above the top louver which retains the vent connector plate on the appliance. Attach ends of the flex liners to the collars on top of the connector plate.

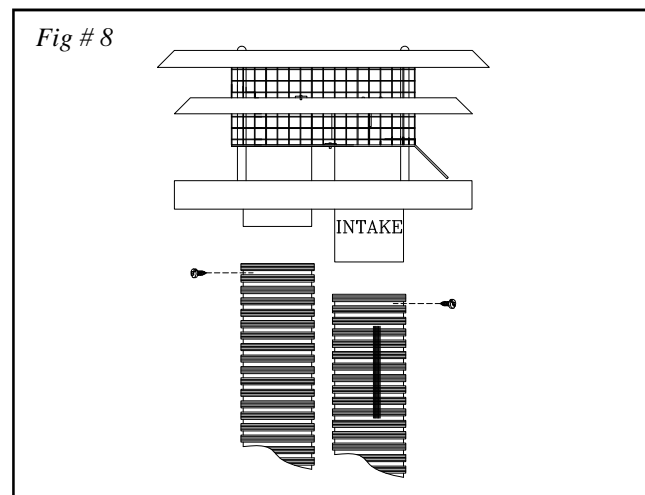
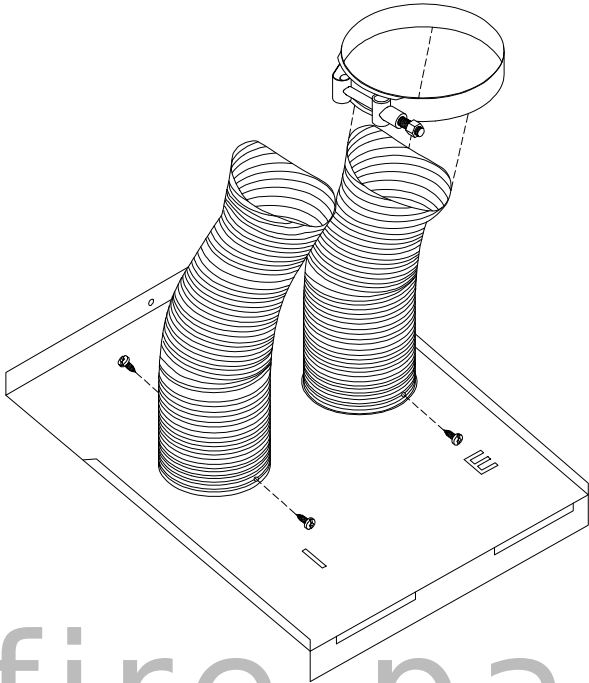


Fig # 9



Make sure the marked inlet pipe is attached to the inlet side (marked "I"), and the unmarked pipe is attached to the outlet side (marked "E") of the connector plate.

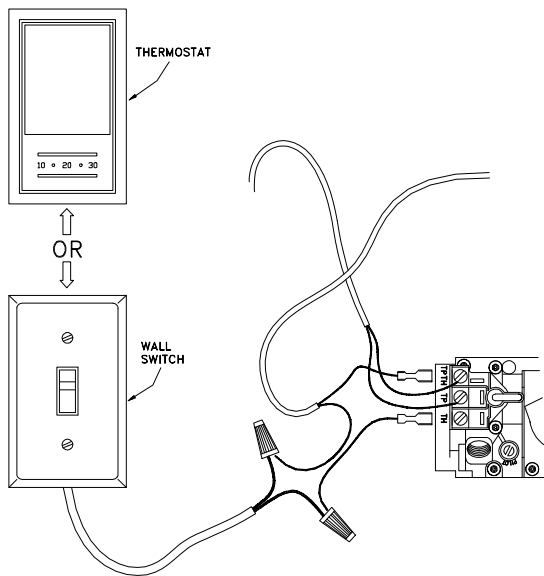
- 7) Seal and secure inlet pipe with sealant and screws provided.
- 8) Slip the 3 1/2" pipe clamp loosely over the end of the flex flue pipe. Slide the pipe over the collar (marked "E") of the vent connector plate and clamp tightly in place. Secure in place with screws provided. No additional seal is required.
- 9) Position vent connector plate over top of unit as the Insert is pushed into the fireplace. Clip connector plate at the back of the unit, tip down into position and attach in place with screw previously removed. Leave the Insert extending a couple of inches out of the fireplace temporarily to allow for proper surround placement.

Rocker Switch

No electrical connection is required for the gas system operation. The self generating pilot provides current for the optional remote wall switch.

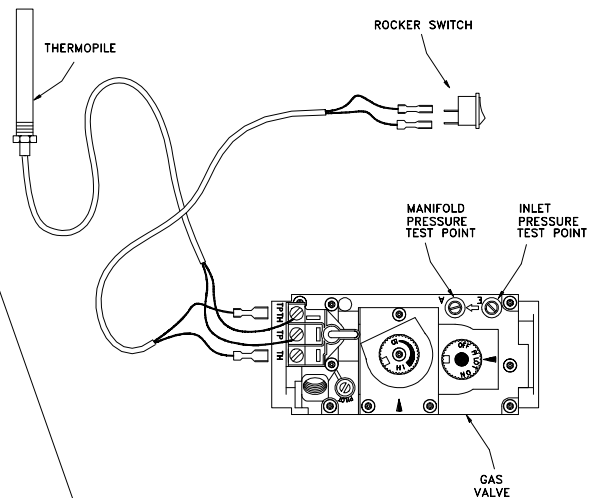
The installation of a wall switch allows for manual remote operation of fireplace, and automatic operation with a wall thermostat. Use a switch or thermostat rated for millivolts. Position the wall switch or thermostat so that a maximum of 25 feet of wiring from the switch to the fireplace is used. Use 18/2 thermostat wire. Connect the wall switch to the valve as shown in Fig. #10.

Fig # 10



Optional Wall Switch or Thermostat

Rocker Switch



Gas Supply

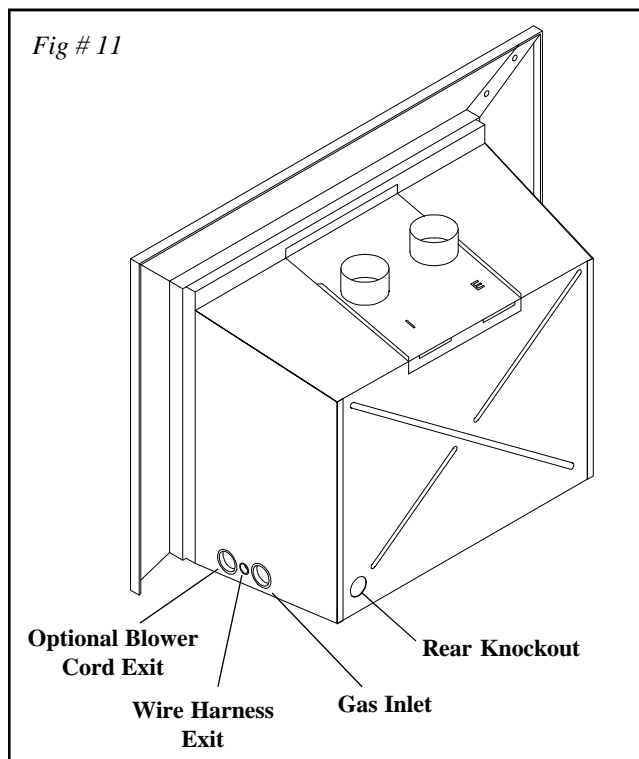
Caution: The gas line should be installed by a qualified service person in accordance with all building codes. Consult local and/or national building codes before altering the fire-place.

The Mirage Direct Vent Gas Insert comes equipped with a flexible connector with a 3/8" N.P.T. Male inlet for easy gas connection. This connector is attached to the control valve under the burner assembly and may exit the gas Insert at the bottom left front or left rear. (Fig. #11)

Proper gas line diameter must be used to assure proper operation. A pressure test port (1/8 inch N.P.T. plugged tapping) must be provided for checking gas pressure. This port must be located immediately upstream of the gas supply connection to the appliance.

Correct gas pressure requirement:

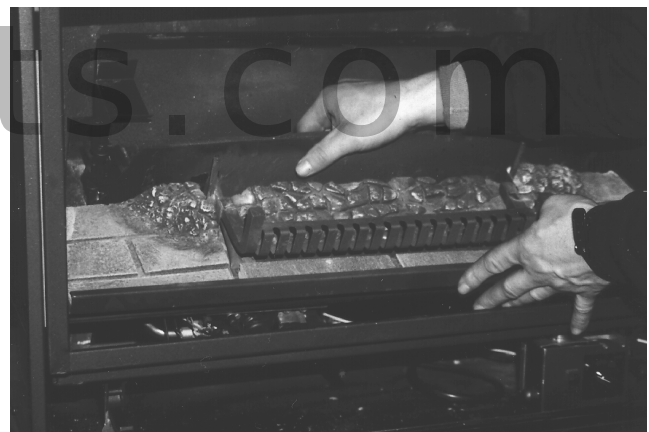
	Natural Gas	Propane
Min. Pressure <small>(For purpose of input adjustment)</small>	5.0" wc	11.0" wc
Max. Pressure	10.5" wc	13.0" wc
Manifold Pressure	3.8" wc	11.0" wc



Burner Assembly

The glass frame must be removed to install the burner into the firebox. The glass frame is held in place by two over-center latches located under the firebox.

- 1) Fold down the bottom louver, if installed, to access the over-center latch. Disengage the latches by pulling each lever down and forward.
- 2) Grasp the sides of the frame and swing the bottom out to clear. Lift it up and forward to disengage from the top and place in a safe place to avoid damage.
- 3) Remove the wrapped logs and brick panels and set aside, taking care not to damage them.
- 4) Remove burner assembly from the carton and inspect. Remove the two wing nuts contained in the plastic bag in the carton.



- 5) Bend the flexible inlet connector so that the line extends straight from the control valve. While placing the burner into the firebox, feed the flex gas inlet pipe through the front plastic bushing located in the casing side. The flex inlet pipe should extend out of the casing side, through the plastic bushing.

A knockout is provided at the right rear of the appliance as an alternate exit for the flexible connector. To use this inlet, remove the knockout from the rear of the appliance. (Fig. #11) Remove the plastic bushing installed in the side and reinstall into the hole at the rear of the appliance.

- 6) Angle the burner assembly slightly forward, and place inside the firebox. Be sure to align the two studs on the side of the burner with the holes provided in the firebox bottom side ledges. (Fig. #12)

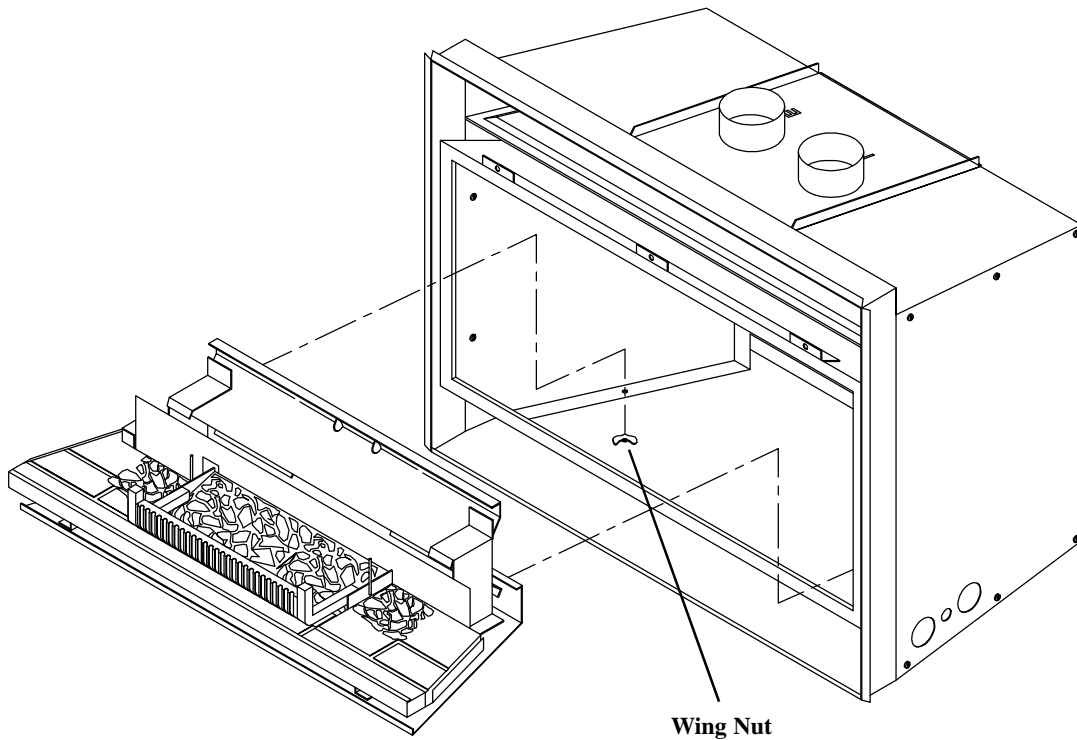
- 7) Once positioned inside the firebox and properly seated on the ledge, push the burner assembly back and secure in place with wing nuts provided. (Fig. #12)
- 8) Fasten rear burner bracket to firebox back with screws provided. (Fig. #13)
- 9) Connect the wire harness from the rocker switch to the control valve terminal marked "TH" and "TH TP". (Fig. #12) Feed the wire through the smaller plastic bushing located next to the gas inlet hole in the side casing. (Fig. #11)
- 10) Place the self-adhesive label into the blank box provided on the rating label to designate the type of gas the appliance is connected to.

Fig # 13



fire-parts.com

Fig # 12



Brick Panels Installation

The panels for the firebox are shipped in a separate cardboard box located inside the appliance. Carefully remove the panels from the box and install them as follows:

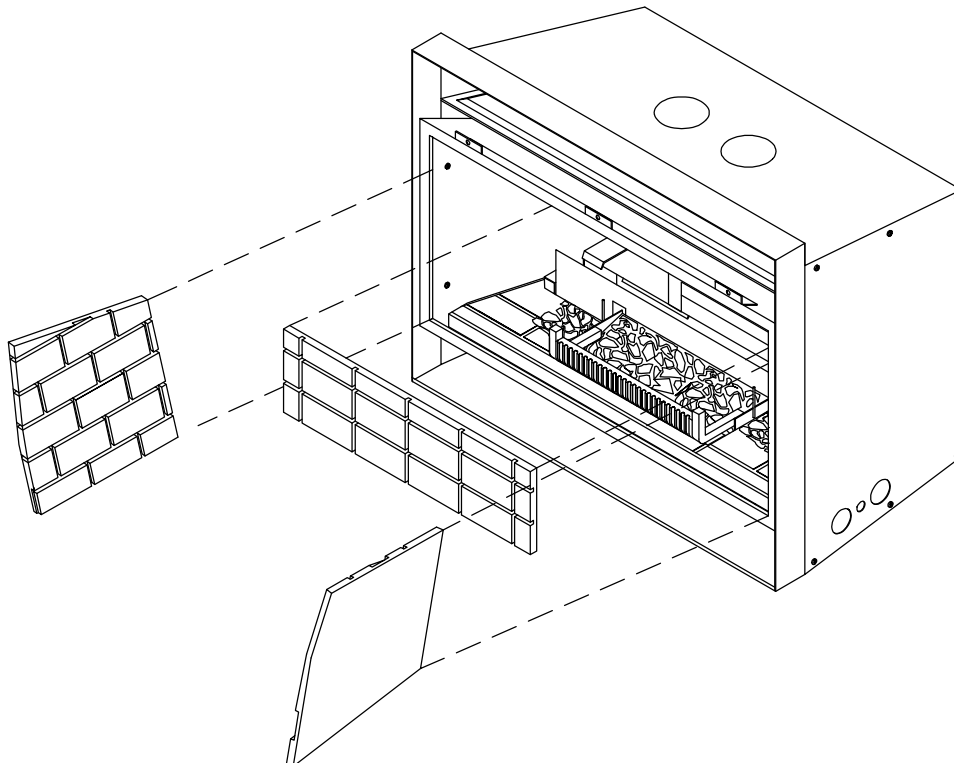
- 1) Insert the right side panel into the firebox. Push the panel completely to the rear so that it clears the window frame, and then bring it forward slightly so that it tucks in behind the window frame and allows room for the thickness of the rear panel to come behind it.
- 2) Install the rear panel by tipping it back and into the space between the baffle and the back of the firebox and so that it sits on the ledge provided. Shift the rear panel temporarily to the right so that it tucks in behind the right side panel, leaving room for the left panel to pass by it.
- 3) Similarly to installing the right panel, push the left panel all the way to the rear to clear the window frame and then pull it forward so that it tucks in behind the window frame.
- 4) Center the rear panel and then adjust the side panels by pushing them back against the rear panel.

Levelling Legs

Levelling legs are provided with the appliance as a convenient means for levelling the appliance when it is installed on an irregular surface. The legs (3" long threaded bolts) are supplied in a separate parts bag inside the appliance. Nuts welded to the base, near the back of the appliance locate the levelling legs. The legs thread into the nuts and protrude out the bottom, raising the rear of the appliance until it is level with the front.

fire-parts.com

Fig # 14



Log Set

The Ceramic logs are durable and long lasting when installed properly. However, they are delicate and may be damaged easily if not handled with care. Unpack and inspect log set. There should be a total of 4 logs as shown in Fig. # 16. All gas and venting connections should be made before installing log set.

Log Assembly: (Fig. # 15)

- 1) Place the rear log in position at the back of the firebox, centered between the brackets, with flat side facing rear and the bark side facing forward.
- 2) Place the front log over the two pins just in front of the rear burner onto the tabs located at the front of burner assembly. The log is notched to fit over the pilot.
- 3) The top left "Y" log bridges across front and rear log. The log should be properly seated over pin in the front log and nested in the left relief of the rear log.
- 4) The top right log also bridges across the front and rear log. The log should be properly seated over the pin in the front log and nested in the right relief of the rear log.

Note: Improper placement of logs may cause sooting on internal parts and glass.

Fig. #16

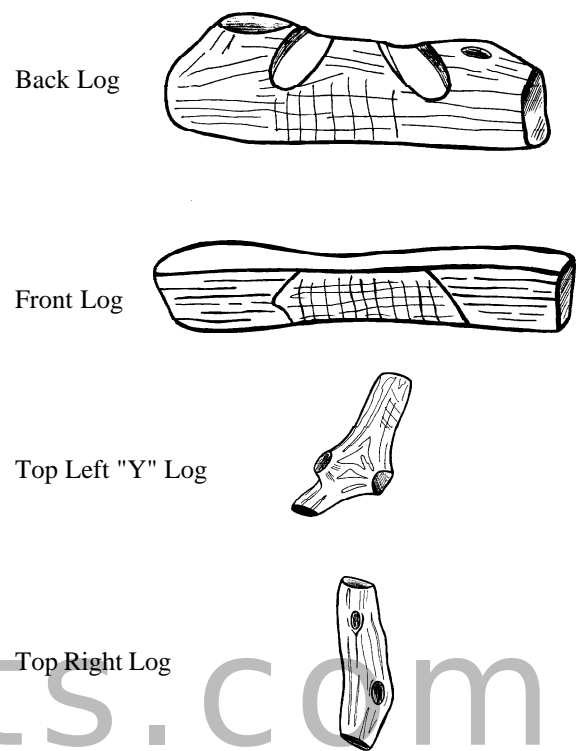
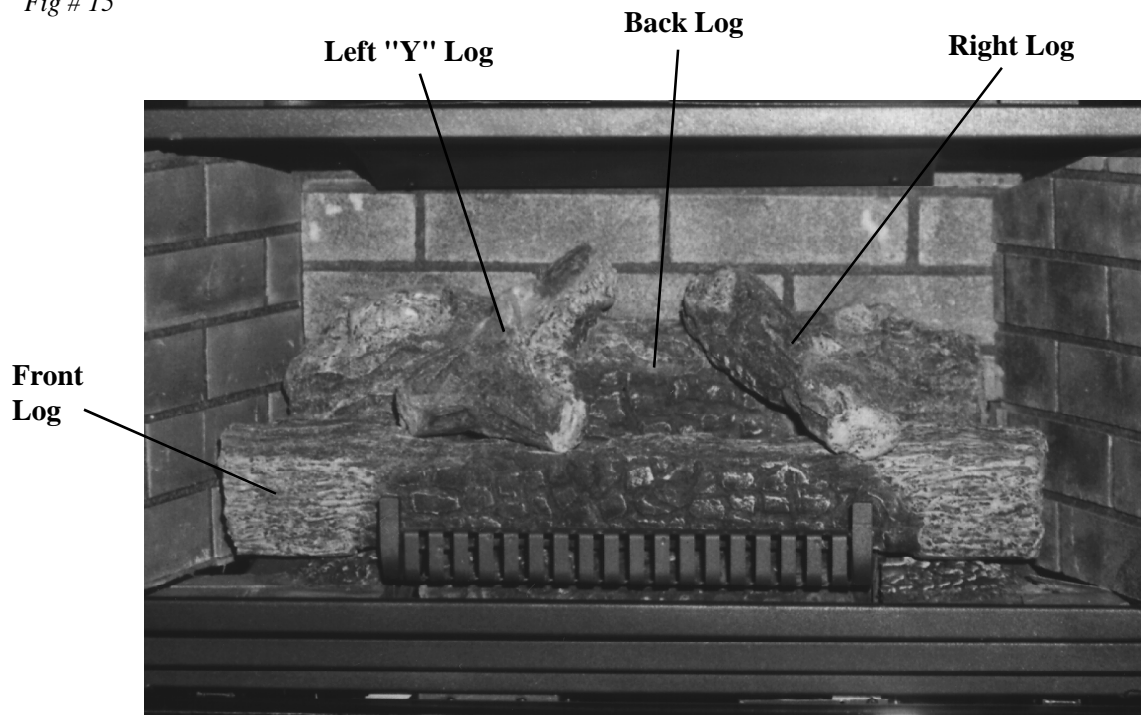
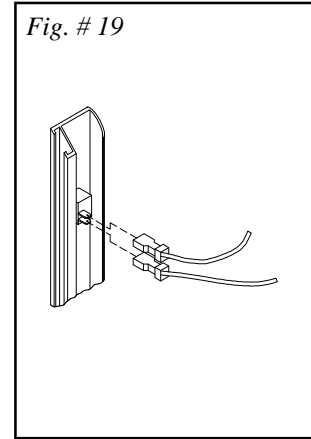
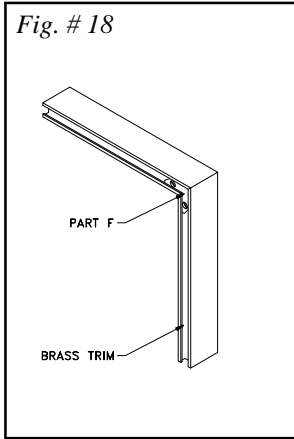
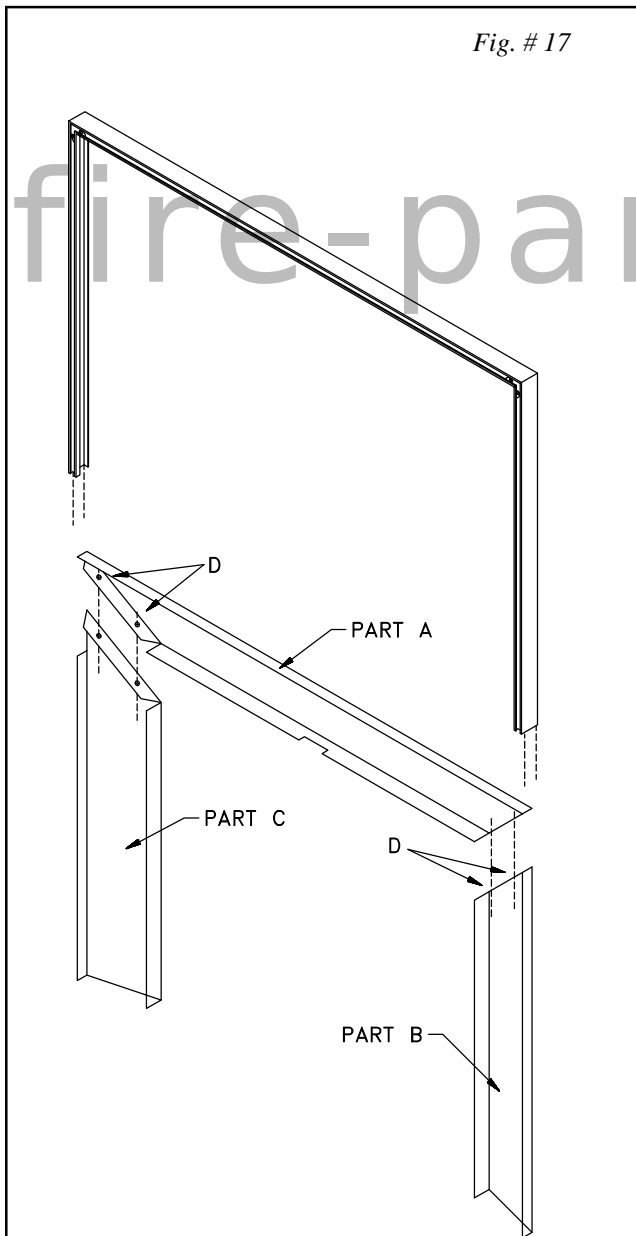


Fig # 15

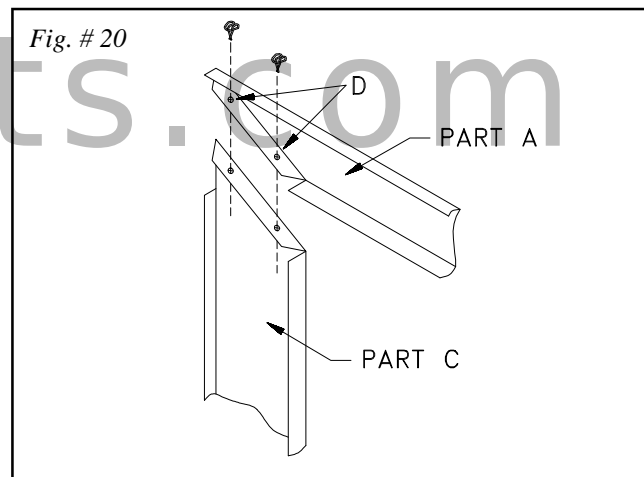


Surround Assembly

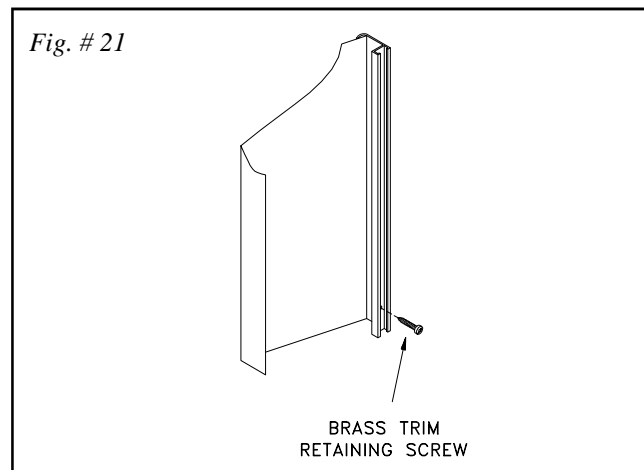
- 1) Lay Parts A, B, and C face down on a flat, non-marking surface. (Fig. #17) Fasten together with spring clips through holes at points "D". (Fig. #20)
- 2) Lift the surround assembly to the upright position and make sure the front face is even at the joint.
- 3) Assemble the three brass trim pieces using the enclosed hardware. Slide Part F into the back corners of the brass trim and tighten screws. Ensure the mitred corners fit tightly and evenly. (Fig. # 18)
- 4) Slide the assembled brass trim over the surround from the top. (Fig. # 17)
- 5) Tighten the retaining screws at the bottom of each brass trim side. (Fig. # 21)



- 6) Connect the wire from the gas control valve to the on/off rocker switch in the brass trim. (Fig. # 19)
- 7) Slide pre-assembled surround on to Insert. **Do not lift the assembly by grasping the brass trim.** The surround is held in place by screws (2 each side), just inside the casing near the top and bottom. Push surround back until snug and even with front face of Insert. Fasten in place.



- 8) Push the entire appliance back until the surround is in contact with the fireplace.

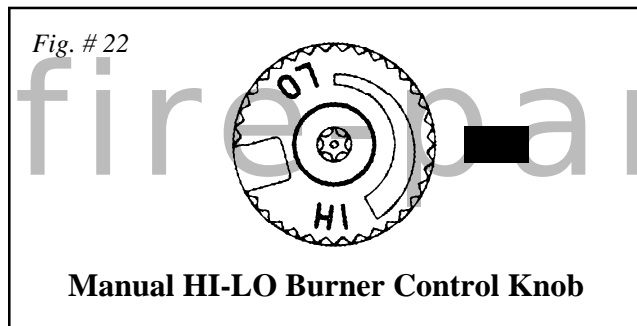


First Fire

When lit for the first time, the appliance will emit a slight odour for a couple of hours. This is due to the curing of paints, sealants and lubricants used in the manufacturing process. This condition is temporary. Open doors and windows to ventilate area. Smoke and fumes caused by the curing process may cause discomfort to some individuals.

Operation

The Mirage Gas Insert comes equipped with an "ON-OFF" Rocker switch. This switch is conveniently located near the upper right hand corner of the surround. Once a pilot light has been established, and the gas control knob turned to the "ON" position, the burner may be turned on or off simply with the switch. An optional wall thermostat may be installed to operate the burner automatically.



Manual HI-LO Flame Adjustment: (Fig #22)

The HI-LO burner control knob can be rotated in both directions, providing infinite control of gas flow rate to the burner and therefore greater comfort control. The HI setting provides a maximum gas input, and rotating the knob clockwise toward the LO setting will reduce the gas input to a minimum setting.

Wall Thermostat (optional):

Set the wall thermostat to a comfortable temperature. Turn the HI-LO burner control knob to a desired setting. As heat is required, the Mirage Gas Insert will turn on or off automatically, as needed.

Extend Shutdown:

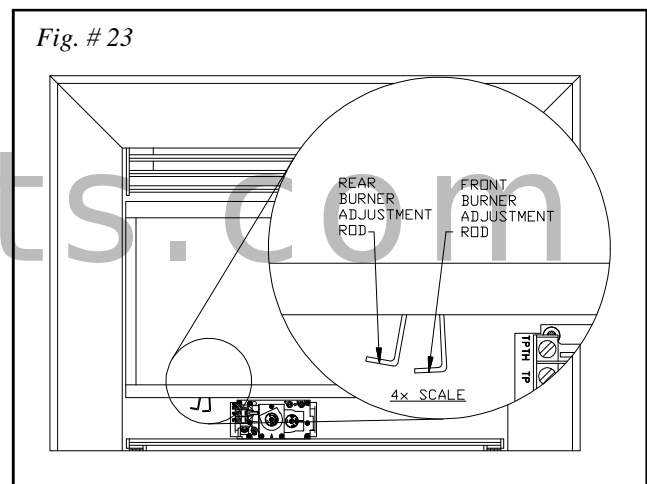
To shutdown the appliance including the pilot, partially depress and turn gas control knob clockwise past "PILOT" to the "OFF" position. DO NOT FORCE.

NOTE: The SIT control has an interlock device which does not allow the pilot to be lit when the appliance is at operating temperature. Let the appliance cool down (approx. 60 sec.) before attempting to relight the pilot. DO NOT use force to rotate the control knob.

Primary Air Adjustment

This appliance is provided with primary air adjustment, which affects flame heights and flame quality of the front and back burners by controlling the air shutter opening. This adjustment is preset at the factory for the best flame appearance for most installations. However, adjustment is available to compensate for varying field conditions, such as vent system height or altitude, that may affect flame appearance.

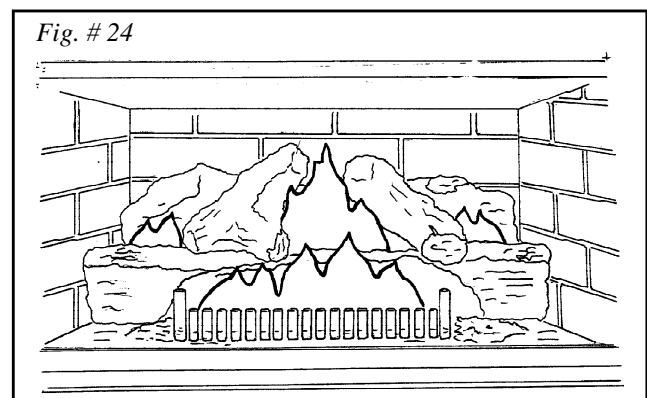
The adjustment rods are accessible just to the left of the valve, in behind the bottom louver, as shown in Fig. #23. Separate front and back adjusters are provided; the left rod adjusts the rear burner and the right adjuster controls the front burner. Pulling the left rod forward closes the rear shutter and increases the rear flame height. Pushing the right rod upwards closes the front shutter and increases flame height of the front burner.



To Adjust: (See Fig. # 23)

- 1) Fold down bottom front louver.
- 2) Pull or push on adjustment rods to adjust flame.
- 3) Close bottom front louver.

Caution: Proper air shutter setting is a must. The flame should not impinge on the top of the firebox. It should NEVER be set to create sooting on internal parts and glass. Open air shutter gradually until sooting stops.



FOR YOUR SAFETY READ BEFORE LIGHTING

WARNING: If you do not follow these instructions exactly, a fire or explosion may result causing property damage, personal injury or loss of life.

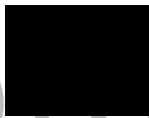
- A. This appliance has a pilot which must be lighted by hand. When lighting the pilot, follow these instructions exactly.
- B. **BEFORE LIGHTING** smell all around the appliance area for gas. Be sure to smell next to the floor because some gas is heavier than air and will settle on the floor.
WHAT TO DO IF YOU SMELL GAS:
 - Do not try to light any appliance.
 - Do not touch any electric switch; do not use any
- C. Use only your hand to push in or turn the gas control knob. Never use tools. If the knob will not push in or turn by hand, don't try to repair it, call a qualified service technician. Force or attempted repair may result in a fire or explosion.
- D. Do not use this appliance if any part has been under water. Immediately call a qualified service technician to inspect the appliance & to replace any part of the control system & any gas control which has been under water.

LIGHTING INSTRUCTIONS

1. **STOP!** Read the safety information above on this label.
2. Set wall thermostat to lowest setting, if applicable.
3. Turn off all electric power to the appliance.
4. Open the bottom grill to access the controls.
5. Partially depress and turn gas control knob clockwise ↻ past "Pilot" to "Off" position.

Note: Knob cannot be turned from "Pilot" to "Off" unless knob is pushed in slightly. Do not force.

GAS KNOB



6. Allow sufficient length of time (minimum 5 minutes) for any gas in the combustion chamber to escape. If you still smell gas, **STOP!** Follow "B" in the safety information above on this label. If you don't smell gas, go to the next step.
7. Turn gas control knob back to "Pilot" position.
8. Depress gas control knob fully and hold while

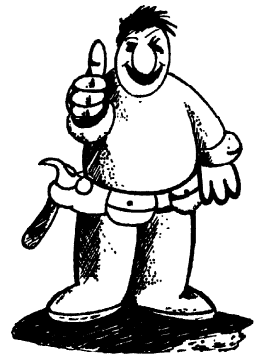
you ignite pilot with the push button igniter. Once the pilot ignites, continue depressing knob for approximately 5 seconds (30 seconds if equipped with a Robertshaw control valve). If pilot does not stay lit, repeat steps 6 through 8, allowing a longer period before releasing gas control dial.

- If gas control knob does not pop up when released, stop and immediately call your service technician or gas supplier.
- If the pilot will not stay lit after several tries, turn the gas control knob to "Off" and call your service technician or gas supplier.

9. Turn gas control knob counter-clockwise ↻ to "On" position.
10. Turn HI-LO burner control knob to desired setting.
11. Close bottom grill and turn on the burner switch
12. Turn on all electric power to the appliance.
13. Set thermostat to desired setting, if applicable.
Note: Sufficient time must be allowed for air to escape from lines if the unit is being lit for the first time.

TO TURN OFF GAS TO APPLIANCE

1. Set wall thermostat to lowest setting, if applicable.
2. Turn off all electric power to the appliance if service is to be performed.
3. Push in gas control knob slightly and turn clockwise ↻ to "Off". Do not force.



Optional Blower

Electrical Supply:

Circulating air blower electrical rating: 115V, 60 Hz, 80 watts. (Fig #25) For your protection against shock hazard, use only a properly grounded outlet that will accept a three-pronged plug. Do not cut or remove the grounding prong.

Consult local codes or, in the absence of local codes, with the current CSA C22.1 Canadian Electrical Code and in the USA with the National Electrical Code, ANSI/NFPA 70 (latest Edition).

Installation:

The blower kit must be installed before the burner assembly is in place. Unpack and inspect blower kit.

- 1) Position the blower onto studs located at the rear of the appliance and secure in place with wing nuts provided. (Fig. #26)
- 2) Place the speed control junction box temporarily in the right front corner of the appliance. The junction box attaches to the underside of the burner assembly, once in place. (Fig. #27)
- 3) Feed the power cord out through the plastic grommet on the side of the appliance.

Fig. # 26

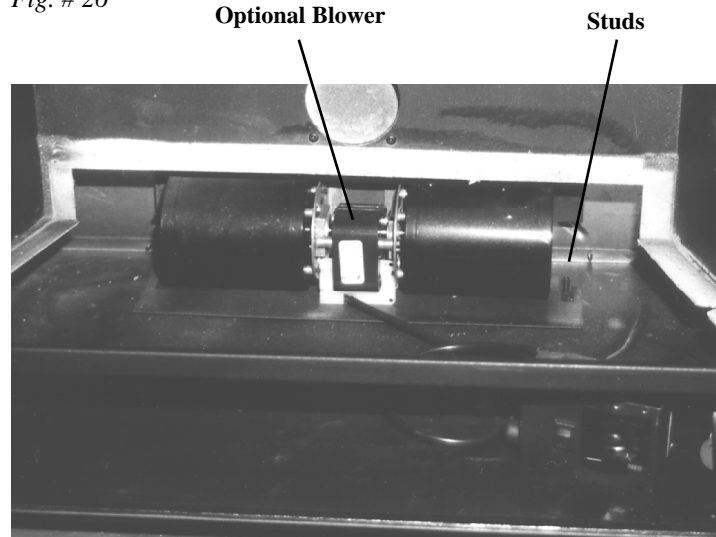
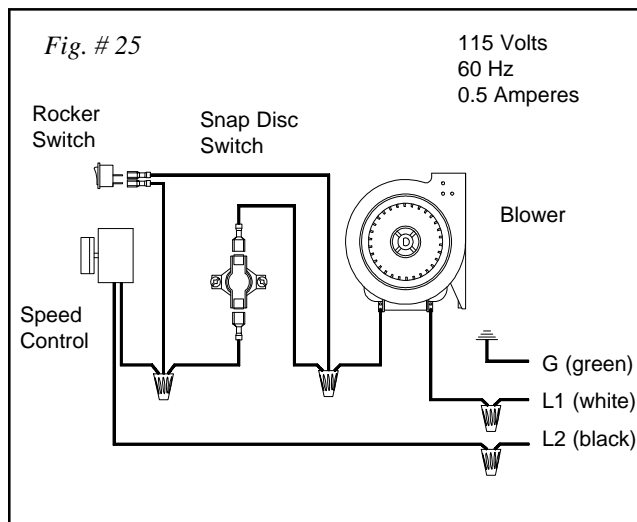
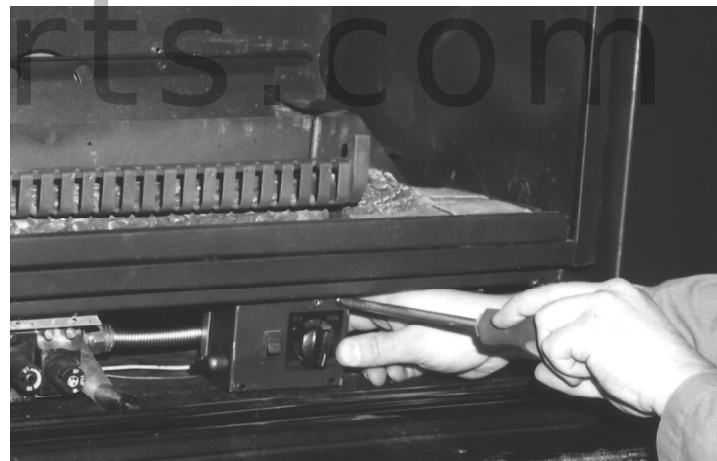


Fig. # 27



Operation:

The circulating air blower is thermostatically controlled to turn on automatically once the unit is at operating temperature. A few minutes after the appliance is lit, with the variable speed control set at a desired setting, the blower will automatically turn on. The blower will automatically turn off a few minutes after the appliance is shut down.

The blower may also be operated manually. Push the rocker switch to manual position and the blower will operate independent of the burner provided the variable speed control is set.

Replacement Parts

Fig. # 28

(WHEN ORDERING, INCLUDE PART NUMBER WITH DESCRIPTION)

ITEM	DESCRIPTION	PART NO.	ITEM	DESCRIPTION	PART NO.
1	Main Body	MIND.1800	15	Brick Panel, Right	MIND.509771
2	Baffle	MIND.1834	16	Surround Trim, Left	MINC.1664
3	Burner Assembly	MIND.NAT/PRO	17	Surround Trim, Top	MINC.16641
4	Glass Panel	MINC.50342	18	Surround Trim, Right	MINC.16642
5	Glass Frame	MIND.1820	19	Surround Side, Left	MINC.1658__
6	Front Trim Set (2 pcs.)	MIND.1888	20	Surround Top	MINC.1659__
7	Louver Assembly, Bottom	MIND.1879__	21	Surround Side, Right	MINC.1660__
8	Louver Assembly, Top	MIND.1883__	22	Vent Connector Plate	MIND.1823
9	Burner Panel, Right	MIND.509825		Log, Front (<i>not shown</i>)	5098.91
10	Burner Panel, Front	MIND.509823		Log, Back (<i>not shown</i>)	5098.92
11	Burner Panel, Left	MIND.509824		Log, Top Left "Y" (<i>not shown</i>)	5098.93
12	Rear Ember Panel	MIND.509821		Log, Top Right (<i>not shown</i>)	5098.94
13	Brick Panel, Left	MIND.509772		Window Gasket Kit (<i>not shown</i>)	MINC.50671
14	Brick Panel, Back	MIND.509773			

All parts may be ordered from your nearest Pacific Energy dealer. Contact Pacific Energy for the location of the dealer nearest you.

When ordering Surrounds and Louvers, please specify the appropriate finish code. Codes are as follows:

Porcelain Finish	Black	BK	Paint Finish	Metallic Black	MB
	Blue	BE			
	Green	GN	Plated Finish	Gold	GD
	Ivory	IY			
	Red	RD			

-notes-

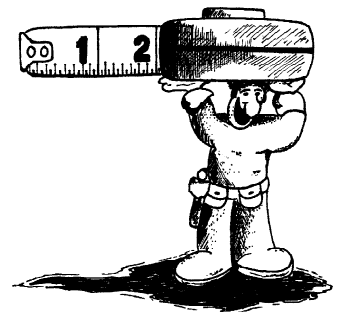
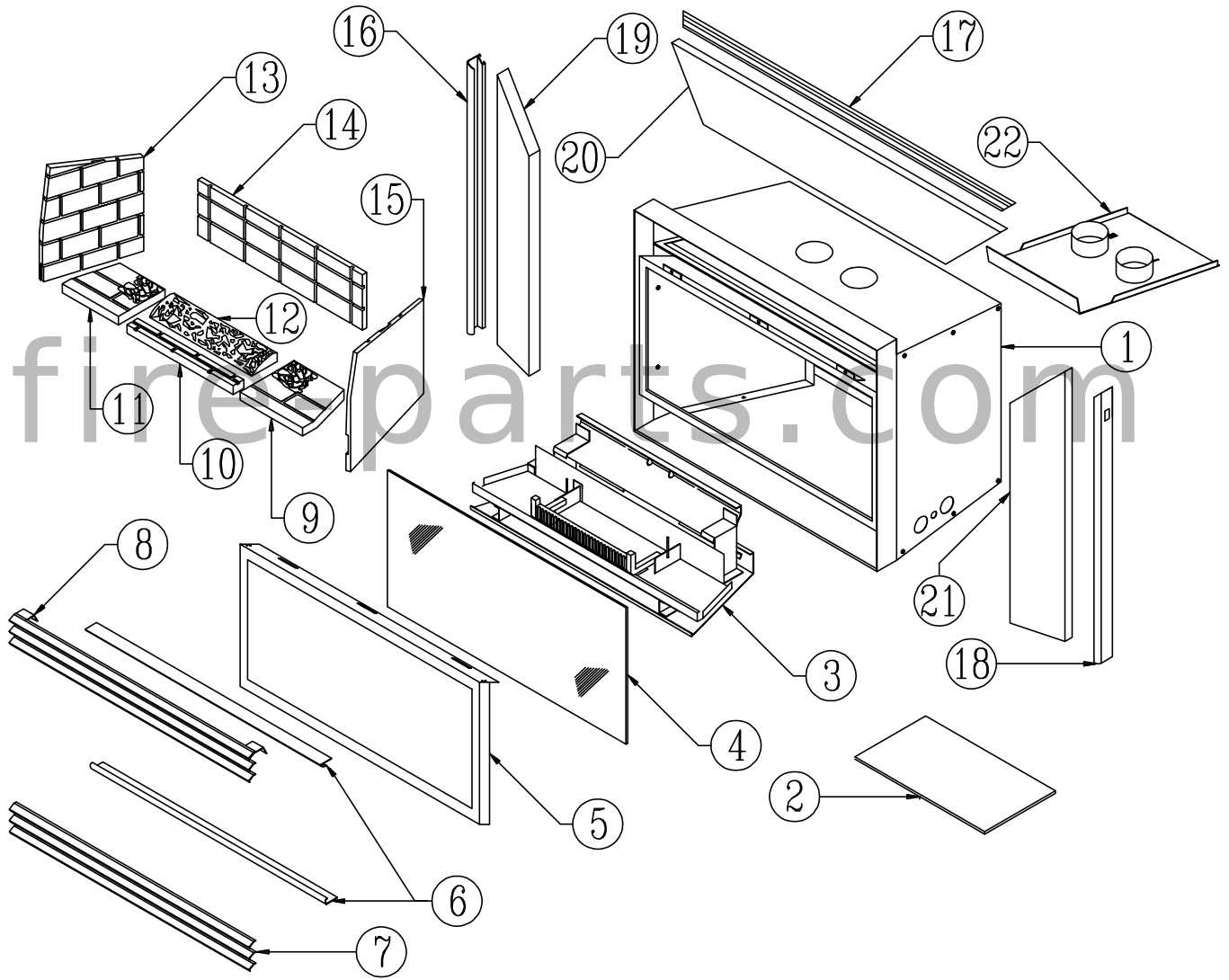


Fig. # 28

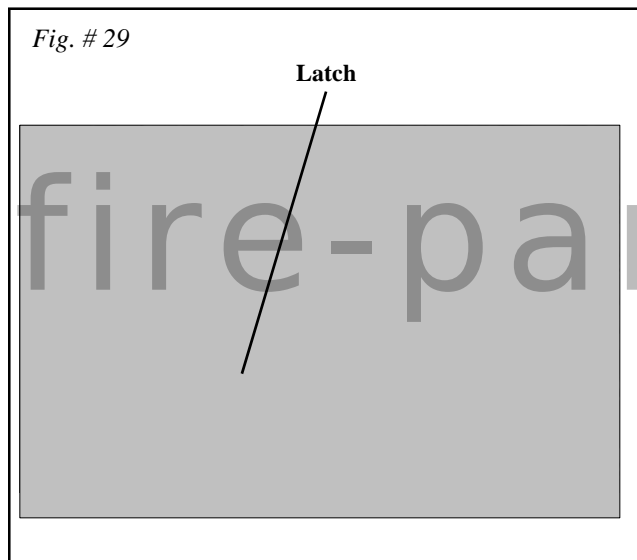


Glass Frame Removal

The glass frame is designed with quick release catches for easy removal. The frame is held in place by two over-center latches located under the firebox. Remove the window glass as follows:

- 1) Fold down the bottom louver, if installed, to access the over-center latches. Disengage the latches by pulling each lever down and forward. (Fig. #29)
- 2) Grasp the sides of the frame and swing the bottom out to clear. Lift up and then forward to disengage from the top.

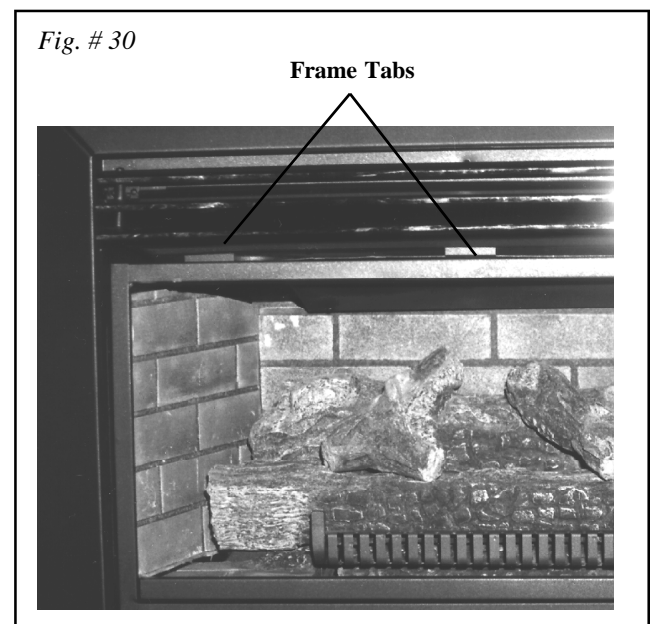
Installation is the reverse of removal. During installation ensure that the tabs on the top of the unit engage the corresponding slots in the glass frame. (Fig. #30)



Optional Radiant Overlay

The optional Radiant Overlay may be installed at any time. Unpack and inspect all parts. Install Overlay as follows:

- 1) Remove the glass frame as outlined above. Place face up on a flat, stable surface to avoid damage.
- 2) Remove screws retaining front trim and set trim aside.
- 3) Position Radiant Overlay over top of frame.
- 4) Replace trim and screws.
- 5) Reinstall complete assembly onto appliance. During installation ensure that the tabs on the top of the unit engage the corresponding slots in the glass frame.



Appendix A



Vent Terminal Kit

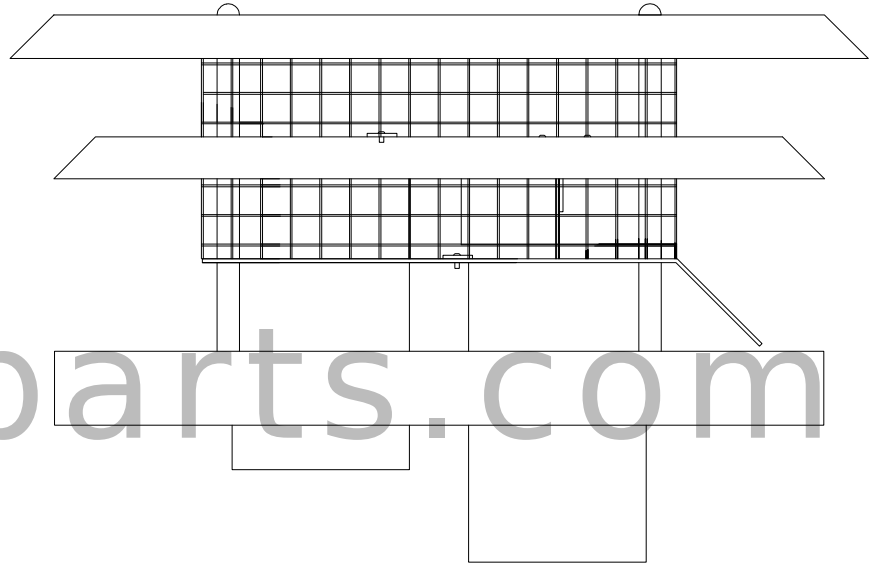
Vent Terminal

MIND.VTTERM

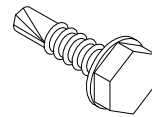
This vent kit is for use with the model MIRAGE DVI, Series A gas insert only. Please refer to the Installation Instructions provided with the appliance for proper installation.

This box contains:

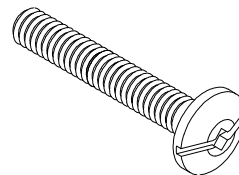
1 Vent Terminal



4#10 x 5/8" TEKS Screws

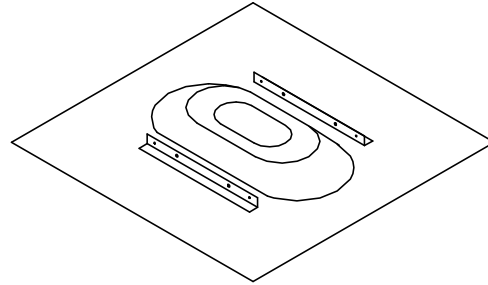


6#10 x 1 1/2" Machine Screws

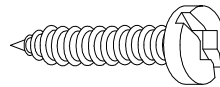


This kit contains:

1 Vent Terminal Flashing

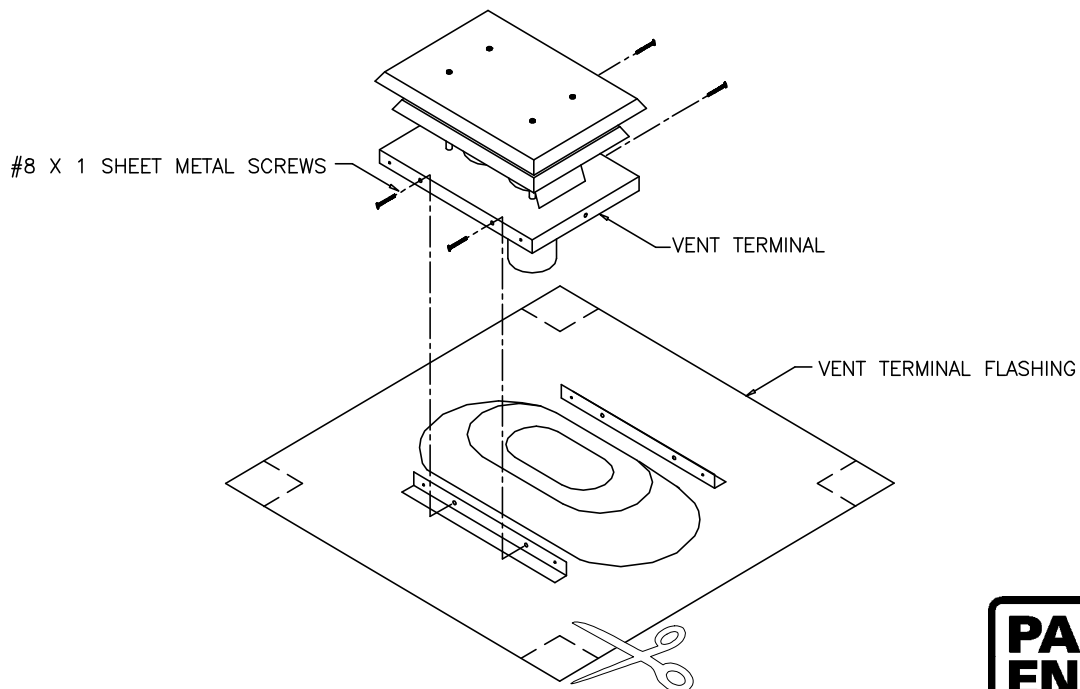


4 #8 x 1" Sheet Metal Screws



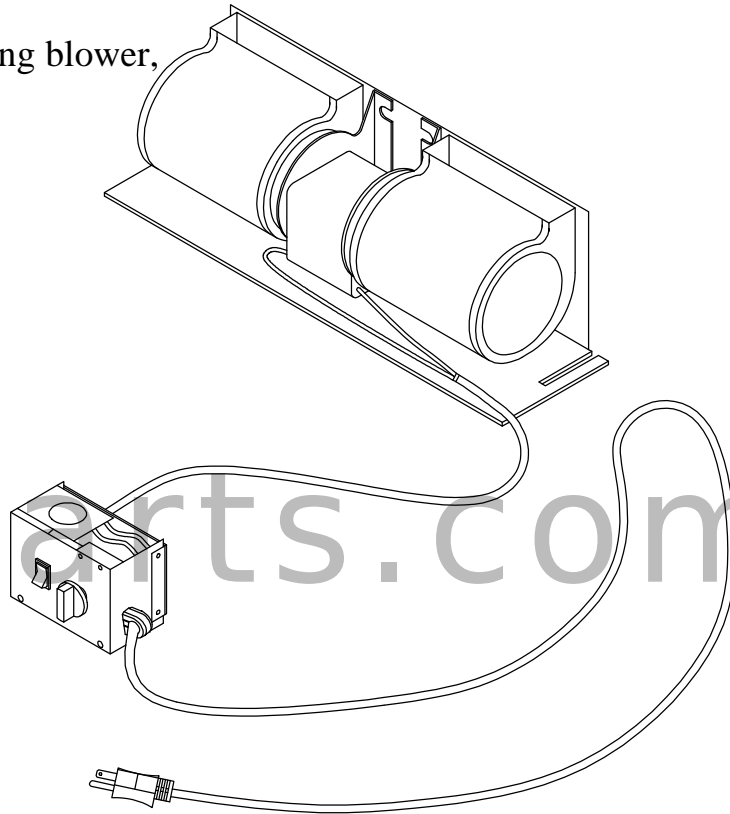
Installation:

1. Attach the vent terminal to the flashing using the 4 screws provided.
2. Attach the flashing to the chimney, by first notching and then bending the excess portion of the flashing downwards to suit the installation.



This kit contains:

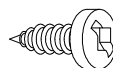
1Blower assembly (including blower, control box, and power cord)



2 Wing nuts



2#8 x 1/2 Sheet metal screws
(black in color)



Installation:

Please see instruction manual



The Mirage

Gas Insert

Louver Kit Installation Guide

Black Louver
Gold Louver

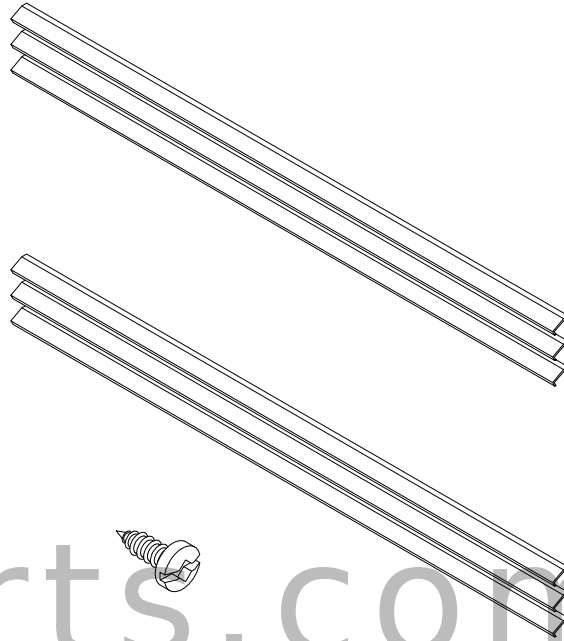
MINC.BKLVR
MINC.GDLVR

This kit contains:

1 Top Louver (Black or Gold)

1 Bottom Louver (Black or Gold)

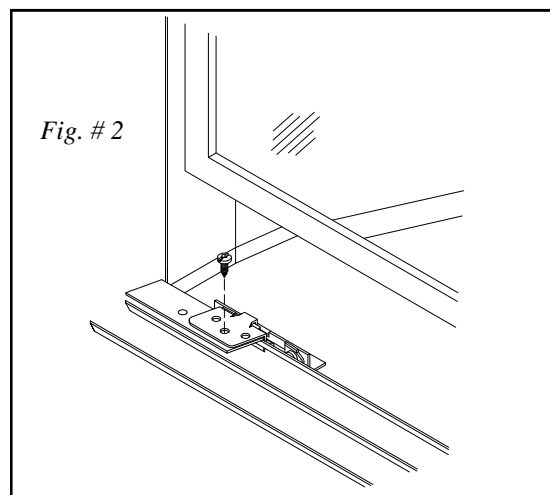
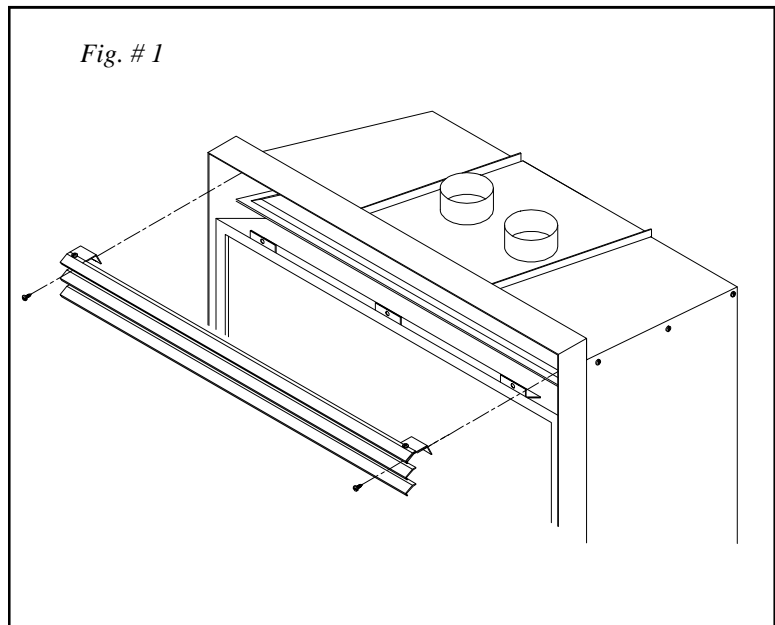
4 #8 x 1/2" sheet metal screws
(black in color)



Installation

Unpack and inspect all parts. A flathead or a #2 Robertson screwdriver is required to install the louvers.

- 1) Fasten top louver to the top casing with the screws provided. (see Fig. #1)
- 2) Fasten bottom louver to the hinge brackets at the bottom of the appliance. (see Fig. #2)



Safety Label



REPORT NO.
476-1302
(OCT. 96)

**LISTED GRAVITY DIRECT VENT WALL FURNACE /
RADIATEUR MURAL A ÉVACUATION DIRECTE PAR
GRAVITE
VENTED CIRCULATOR OPTIONAL FAN / CIRCULATEUR
VENTILE VENTILATEUR OPTIONNELLES
CERTIFIED FOR CANADA AND U.S.A. / CERTIFIÉ POUR CANADA ET U.S.A.**

WH-

WH-

ANS Z21.44 -1995 Direct Vent Wall Furn., CAN1-2.19 -M81 Direct Vent Wall Furnace, CAN/CGA-2.17 -M91 Gas-Fired Appliances For Use At High Altitudes, CGA I.R. #41 - 1991 and #55 Rev.1 - 1995

**MODEL / MODELE: MIRAGE - DIRECT VENT INSERT
SERIES / SERIE: A**

FOR USE WITH/ EN CASE D'EMPLOI AVEC:	NATURAL GAS/ DU GAZ NATUREL	LP-GAS/ DU GAZ LP
Minimum supply pressure / Pression minimum d'alimentation: (For the purpose of input adjustment / dans le but de regler l'alimentation) Manifold pressure / Pression de la tuyauterie:	5.0 in/wc / 5.0 po/c.e. (1.25 kPa) 3.8 in/wc / 3.8 po/c.e. (.95 kPa)	11.0 in/wc / 11.0 po/c.e. (2.74 kPa) 11.0 in/wc / 11.0 po/c.e. (2.74 kPa)
Orifice Size / Diametre de l'injecteur: Front: Back:	# 54 DMS # 45 DMS	# 64 DMS 3/64" (1.19 mm)
Input BTU/hr (kW) / Puissance à l'entrée BTU/h (kW) :	Max.: 30,000 (8.8) Min.: 15,000 (4.4)	Max.: 27,000 (7.9) Min.: 13,500 (4.0)
Output BTU/hr (kW) / Puissance fournie BTU/h (kW) - Fan On / Ventilateur ouvert - Fan Off / Ventilateur position fermé	23,550 (6.9) 21,900 (6.4)	22,275 (6.5) 20,840 (6.1)

Optional components: Fan Kit (MIND.BLOW) / Éléments facultatifs: Ventilateur (MIND.BLOW)
Blower electrical rating: 115v, 60hz, 0.5 A / Normes électriques du ventilateur: 115v, 60hz, 0.5 A
This appliance equipped for altitudes 0-4500 ft. (0-1370 m) / Cet unite est conçu pour des altitudes variant entre 0- 4500 pieds (0-1370 m)

WARNING: Improper installation, adjustment, alteration, service or maintenance can cause property damage, personal injury or loss of life. Refer to the owner's information manual provided with this appliance. Installation and service must be performed by a qualified installer, service agency or the gas supplier.

This appliance must be installed in accordance with local codes, if any; if not, follow the current CAN/CGA-B149 (Canada) or ANSI Z223.1 (USA). Cet appareil doit être installé conformément aux exigences des codes locaux. S'il n'existe aucun code local, se conformer à la norme CAN/CGA-B149 en vigueur.

Left and Right side are determined when facing the front of the appliance.
Les cotes droit et gauche se déterminent en se mettant devant l'appareil et en lui faisant face.

INSTALL IN SOLID FUEL BURNING FIREPLACE / N'INSTALLER QUE DANS UN FOYER NON COMBUSTIBLE
Only for direct discharge without duct connection. Pour sortie d'échappement directe sans gaine de distribution seulement. Installez avec manchon intérieur de gaz approuvé.

MINIMUM CLEARANCES TO COMBUSTIBLES / DEGAGEMENT DES MATIERES INFLAMMABLES	
Adjacent Sidewall to Appliance / Mur du côté adjacent à l'Appareil :	6 in. / 6 po. (152 mm) 50 in. / 50 po. (1270 mm)
Mantel to Appliance / Du manteau à l'Appareil ; 12 in. Max. Mantel Extension / Extension max. du manteau de 12 po.:	18 in. / 18 po. (457 mm)
Mantel Top Support to Appliance (Max. 12 in. Extension) / Supports du manteau à l'Appareil (Max. 12 po. Extension) :	18 in. / 18 po. (457 mm)
Mantel Side Supports to Appliance / Supports du manteau à l'Appareil :	6 in. / 6 po. (152 mm)



PACIFIC ENERGY FIREPLACE PRODUCTS LTD.
Duncan, British Columbia, Canada

MADE IN CANADA / FABRIQUÉ AU CANADA

DO NOT REMOVE OR
COVER THIS LABEL

160498

5050.72

1-DVIA1

fire-parts.com

Pacific Energy Fireplace Products Ltd.

Box 1060, Duncan, B.C. V9L 3Y2

Phone: 250-748-1184

Web site: <http://www.pacificenergy.bc.ca>

Printed in Canada