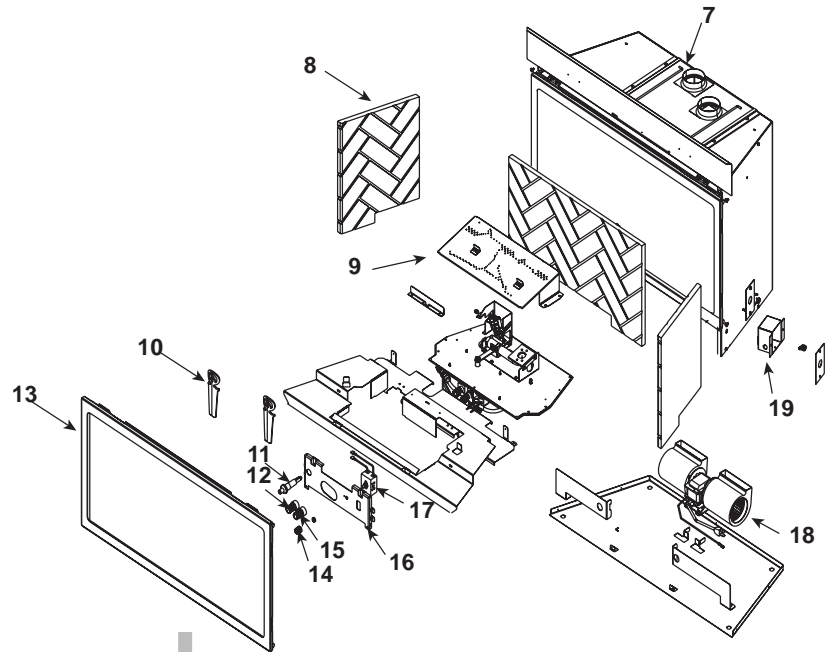
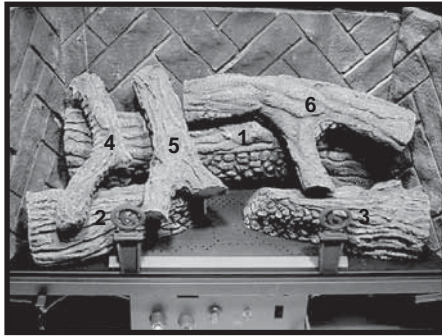


Log Set Assembly



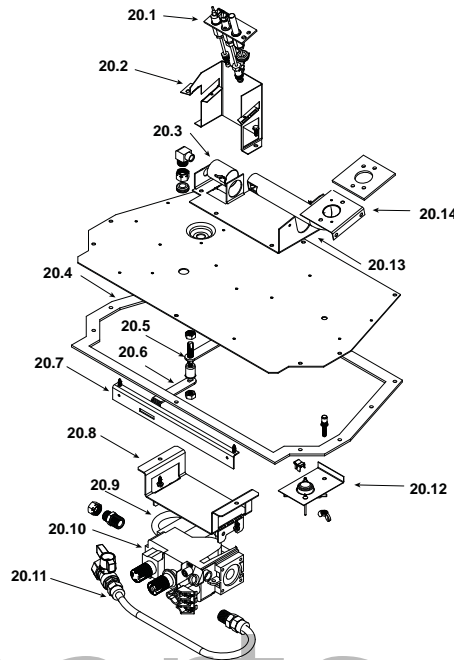
IMPORTANT: THIS IS DATED INFORMATION. When requesting service or replacement parts for your appliance please provide model number and serial number. All parts listed in this manual may be ordered from an authorized dealer.



**Stocked
at Depot**

| ITEM | DESCRIPTION | COMMENTS | PART NUMBER | |
|------|--------------------------------|---------------|-------------|---|
| | Log Set Assembly | | LOGS-QVI35 | Y |
| 1 | Log 1 | | SRV330-701 | |
| 2 | Log 2 | | SRV330-702 | |
| 3 | Log 3 | | SRV330-703 | |
| 4 | Log 4 | | SRV340-705 | |
| 5 | Log 5 | | SRV330-704 | |
| 6 | Log 6 | | SRV330-706 | |
| 7 | Fireplace Termination Assembly | | 319-213A | |
| | Flex Pipe Handle | | 438-351 | |
| 8 | Refractory Kit | | BRICK-QVI35 | |
| 9 | Burner | | 339-176A | Y |
| 10 | Andirons | Pre Nov 2008 | 80784 | |
| | | Post Nov 2008 | 2014-300 | |
| 11 | Piezo Ignitor | | 291-513 | Y |
| 12 | Flame Control Knob | | 571-533 | Y |
| 13 | Glass Door Assembly | | GLA-339 | Y |
| 14 | Rheostat Knob | | 100-512 | Y |
| 15 | Pilot Control Knob | | 571-534 | Y |
| 16 | Control Panel | | 319-129 | |
| 17 | On/Off Rheostat | | 319-510A | Y |
| 18 | Blower | | GFK-160A | |
| 19 | Junction Box | | 040-250A | Y |

#20 Valve Assembly



IMPORTANT: THIS IS DATED INFORMATION. When requesting service or replacement parts for your appliance please provide model number and serial number. All parts listed in this manual may be ordered from an authorized dealer.



**Stocked
at Depot**

| ITEM | DESCRIPTION | COMMENTS | PART NUMBER | |
|-------|--------------------------|----------|-------------|---|
| 20.1 | Pilot Assembly NG | | 2103-010 | Y |
| | Pilot Assembly LP | | 2103-011 | Y |
| | Pilot Tube | | SRV485-301 | Y |
| | Thermocouple | | 2103-511 | Y |
| | Thermopile | | 2103-512 | Y |
| 20.2 | Pilot Bracket | | 319-164 | |
| 20.3 | Shutter Bracket Assembly | | 2026-130 | Y |
| 20.4 | Valve Plate Gasket | | 319-401 | |
| 20.5 | Top Handle | | 319-170 | |
| 20.6 | Bottom Handle | | 319-168 | |
| 20.7 | Bracket | | 319-120 | |
| 20.8 | Valve Bracket | | 319-146 | |
| 20.9 | Flexible Gas Connector | | 477-301A | Y |
| 20.10 | Valve NG | | 230-0710 | Y |
| | Valve LP | | 230-0720 | Y |
| 20.11 | Flex Ball Valve Assembly | | 531-320A | Y |
| 20.12 | Temp Sensor Switch | | 046-018A | Y |
| 20.13 | Bracket: Burner Support | | 319-166 | |
| 20.14 | Burner | | 319-336 | Y |
| | Orifice NG (#32C) | | 582-832 | Y |
| | Orifice LP (#51C) | | 582-851 | Y |

Additional service part numbers appear on following page.

