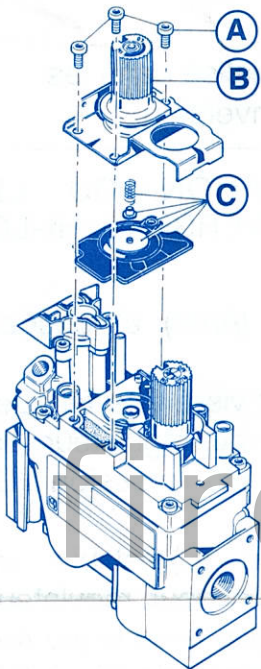


installation instructions

7.252.021

820 NOVA HI / LO Conversion Kit

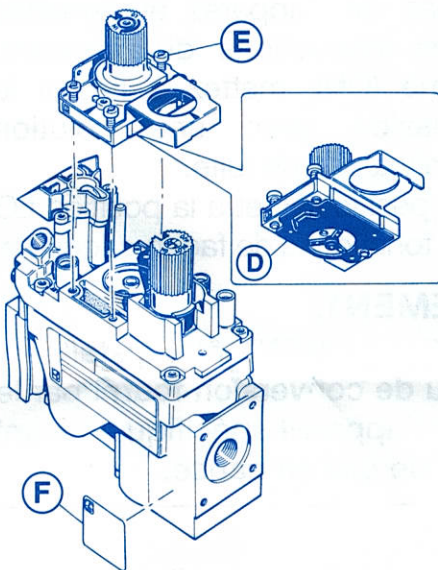


WARNING!

The installation of this conversion kit must only be undertaken by a qualified and certified gas appliance installer.

HI/LO PRESSURE REGULATOR CONVERSION KIT INSTALLATION OR REPLACEMENT INSTRUCTIONS.

1. Turn control knob to the OFF position, and shut off the gas supply to the valve.
2. Using a Torx T20, or slotted screwdriver, remove and discard the three pressure regulator mounting screws (A), pressure regulator tower (B), and the spring and diaphragm assembly (C).
3. Insure that the rubber gasket (D) is properly positioned and install the new HI/LO pressure regulator assembly to the valve using the new screws (E) supplied with the kit. Tighten screws securely. (Reference torque= 25 In.Lb.)
4. Install the enclosed identification label (F) to the valve body where it can be easily seen.
5. Apply gas to system and re-light appliance according to manufacturers instructions.
6. With the main burner "ON", test the new pressure regulator assembly for leaks using a soap solution.
7. Relight the main burner in both the HI, and LO positions, and verify proper burner ignition and operation.



WARNING!

This HI/LO conversion kit must **ONLY** be applied as part of a conversion kit supplied by the **APPLIANCE MANUFACTURER** for the specific appliance, and type of gas, being converted.

INSTALLER NOTICE: These instructions must be left with appliance.



SIT Group