

SIT Pilot Assembly Retrofit - # 308

(Replaces R. Shaw Pilot Assembly) (SKU # 93007308)

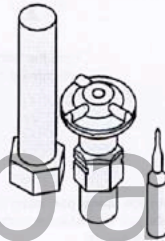
Check Condition of Shipment

Upon receipt of this kit, check the condition of the packaging. Damage to the package should be noted on the carrier's freight receipt. Any damage claims as a result of shipping must be handled through the shipper. Travis Industries will provide assistance in resolving shipping claims or replacing items not included in the package. Please report any missing items immediately.

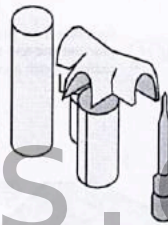
Compatibility

This kit contains a SIT pilot mounting plate for the models listed below. This allows the SIT pilot assembly to be mounted to heaters originally designed for the Robert Shaw pilot assembly. After this kit is installed, use SIT pilot replacement parts. NOTE: if the model addressed is not listed below, you will need a different kit.

SIT Pilot Assembly



Robert Shaw Pilot Assembly



fire-parts.com

- Spirit B-Vent 1996 S.N. 4602-6299
- Spirit DV 1996 S.N. 50002-56906
- DVS Insert 1996 S.N. 80000-98952
- Chelan B-Vent (700) 1997 S.N. 6001-6499
- Avanti DV 1996 DVM FS 1998 S.N. 32002-33399

- Spirit Bay BV Insert 1996 S.N. 25002-26699
- Heritage Bay B-Vent Insert 1997 S.N. 110002-113440
- DVS Fireplace 1996 S.N. 100001-109004
- Chelan DV (700) 1997 S.N. 50002-51599
- Avanti BV 1996 S.N. 4052-5949

Items Needed for Installation

- 7/8", 3/4", 7/16", 3/8" Open End Wrench
- Pipe Wrench
- 7/16" Socket Wrench
- Standard Screwdriver (large & small)
- 1/4" Nutdriver

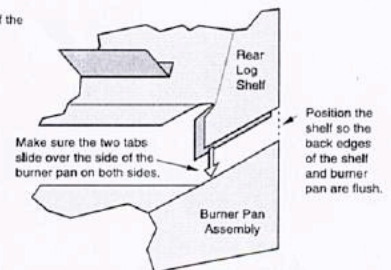
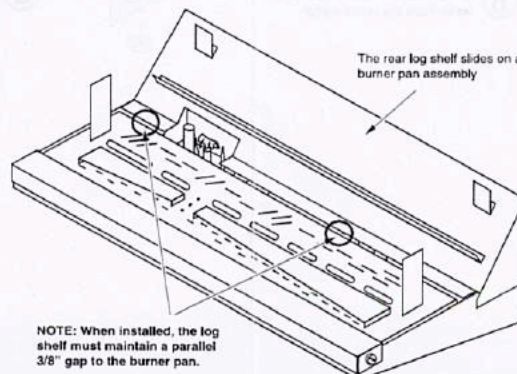
Packing List:

- SIT Pilot Assembly & Gasket
- SIT Pilot Mounting Plate
- (2) #8 x 3/8" Screws
- LP Pilot Orifice

Installation Instructions:

Warning: Shut off the gas to the appliance prior to conducting service.

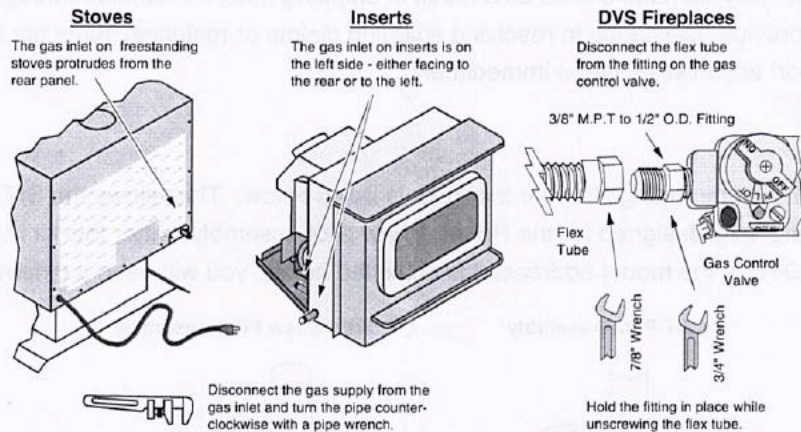
- 1 Remove the log set (see the owner's manual for details) and log shelf.



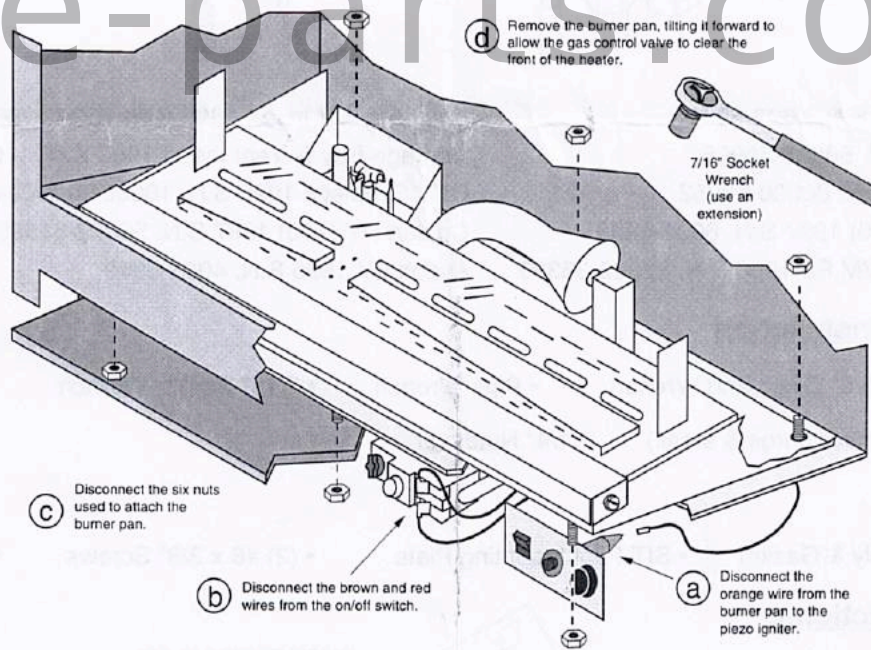
SIT Pilot Assembly Retrofit - # 308

(Replaces R. Shaw Pilot Asbly) (SKU # 93007308)

3 Disconnect the gas inlet to the gas control valve.



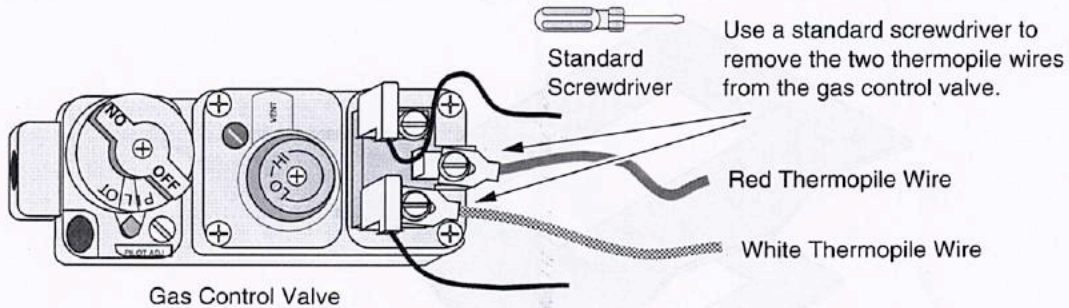
4 Remove the burner assembly.



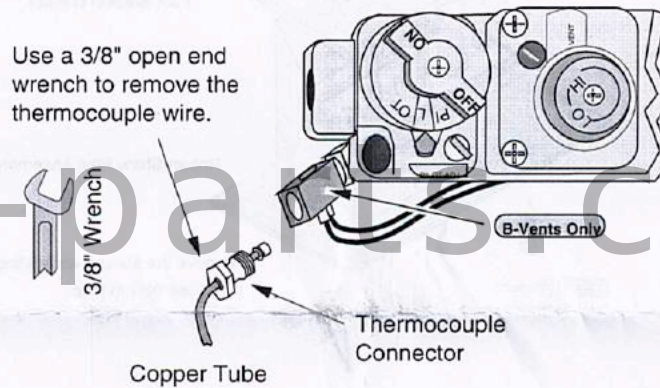
SIT Pilot Assembly Retrofit - # 308

(Replaces R. Shaw Pilot Asbly) (SKU # 93007308)

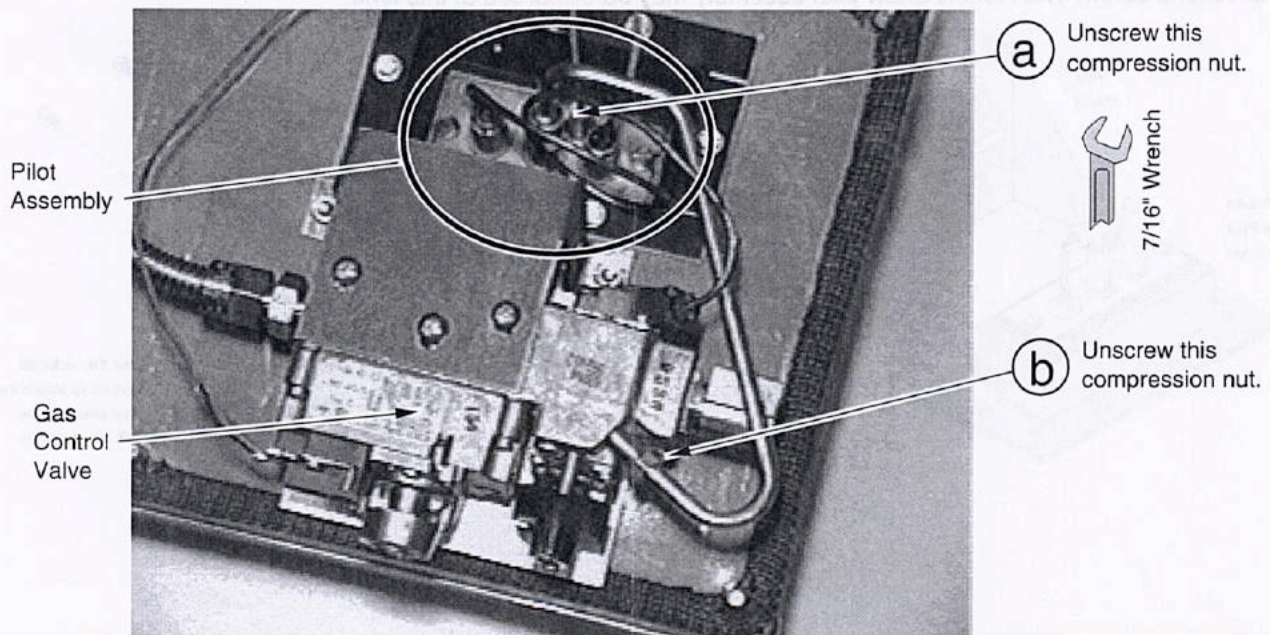
5 Disconnect the thermopile wires.



6 Disconnect the thermocouple wire.



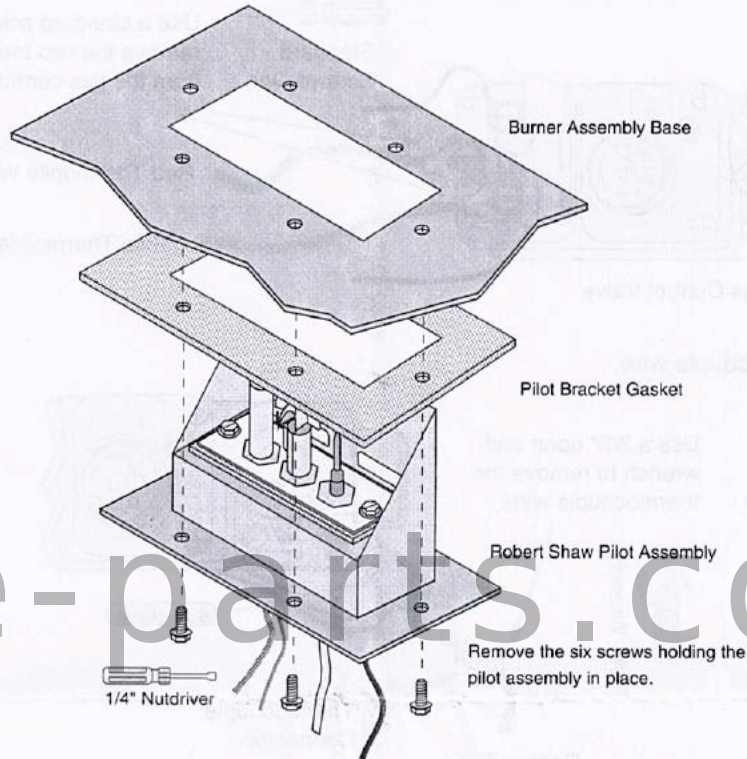
7 Remove and discard the pilot tube.



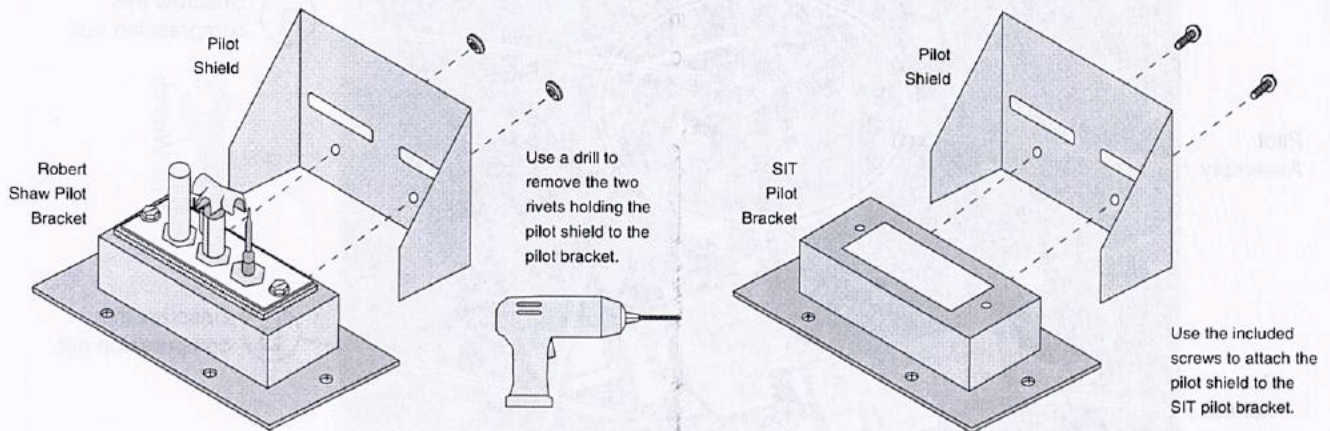
SIT Pilot Assembly Retrofit - # 308

(Replaces R. Shaw Pilot Assembly) (SKU # 93007308)

- 8 Remove the Robert Shaw Pilot Assembly, including the wires and pilot tube, following the directions below.



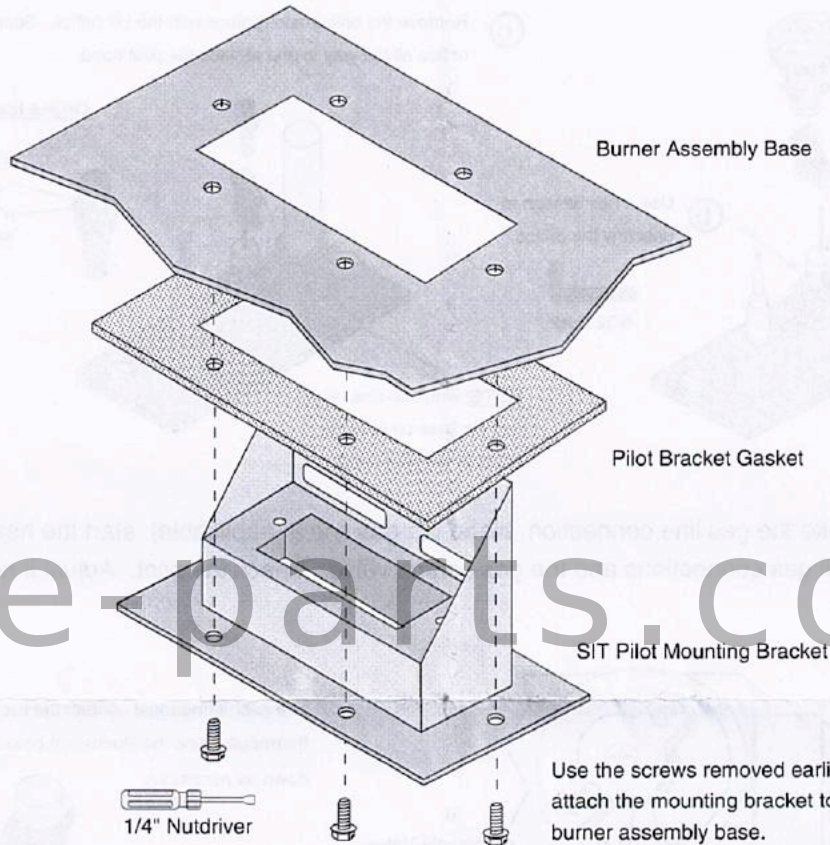
- 9 Remove the pilot shield from the Robert Shaw pilot assembly and attach to the SIT pilot assembly following the directions below. The Robert Shaw pilot assembly may be discarded at this time.



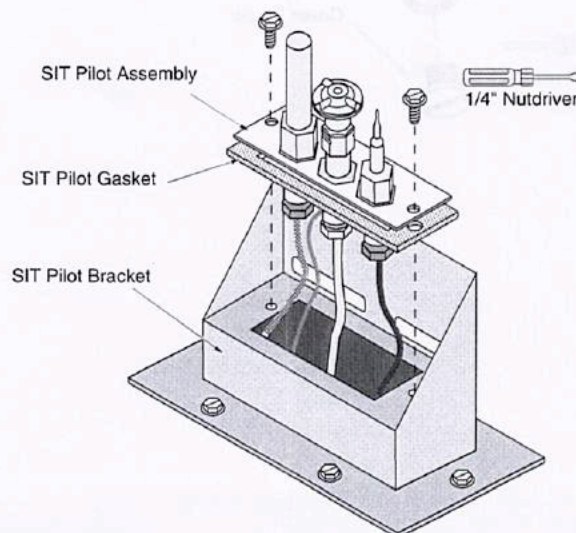
SIT Pilot Assembly Retrofit - # 308

(Replaces R. Shaw Pilot Asbly) (SKU # 93007308)

10 Attach the new pilot bracket following the directions below.



11 Thread the pilot tube, thermocouple, thermopile, and igniter wire through the pilot bracket. Attach each of these to the appropriate connection. Attach the SIT Pilot Assembly to the bracket following the directions below.



SIT Pilot Assembly Retrofit - # 308

(Replaces R. Shaw Pilot Assembly) (SKU # 93007308)

12 If using propane (LP), install the LP pilot orifice following the directions below.

(a) Lift the pilot hood off the pilot assembly.

(b) Use a hex wrench to unscrew the orifice.

(c) Remove the orifice and replace with the LP orifice. Screw the orifice all the way in and replace the pilot hood.

Orifice Identification:

- LP (Propane) Orifice: 35
- NG (Natural Gas) Orifice: 62

NOTE: when re-attaching, this pin lines up with the notch in the pilot hood.

13 Install the burner. Make the gas line connection, bleed the gas line (if applicable), start the heater and thoroughly leak-test all gas connections and the gas control valve. Check the pilot. Adjust if necessary.

To adjust the pilot flame, remove the cover screw and gasket and turn the needle valve (NOTE: if the needle valve is totally unscrewed, gas will come out of this port). Clockwise lowers the flame while counter-clockwise raises it. Replace the cover screw and gasket.

Needle Valve
Micro (1/16") Standard Screwdriver
Cover Screw Gasket
Cover Screw
Standard Screwdriver

The pilot flame must contact the thermocouple and thermopile (see the illustration below). Adjust the pilot up or down as necessary.

