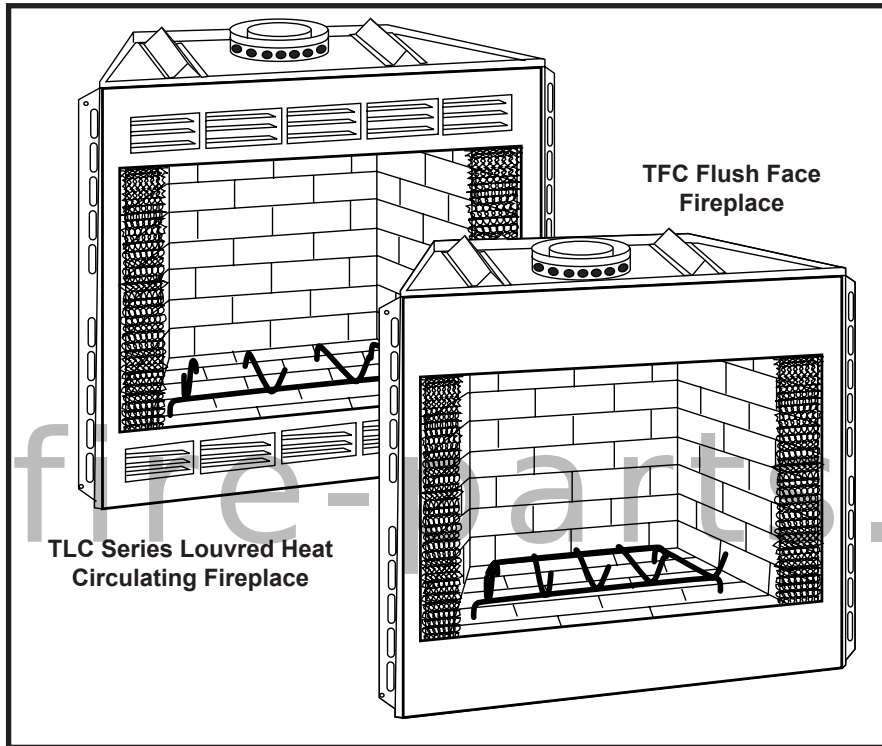


TEMCO

FIREPLACE PRODUCTS



For Models:
TFC36-3M
TLC36-3MB
TLC36-3MBE
TLC42-4MB



Underwriter's
Laboratories
File MH10105

TFC/TLC Series

Woodburning Fireplace

Homeowner's Installation and Operating Manual

Low Profile, Front-Opening Models

Listed for use in Manufactured Housing

WARNING

This fireplace has not been tested with an unvented gas log set. To reduce risk of fire or injury, do not install an unvented gas log set into fireplace.

WARNING

If the information in this manual is not followed exactly, a fire or explosion may result causing property damage, personal injury or loss of life.

FOR YOUR SAFETY

- Do not store or use gasoline or other flammable vapors and liquids in the vicinity of this or any other appliance.
- Installation and service must be performed by a qualified installer. Do not attempt to install this fireplace yourself!

**INSTALLER: Leave this manual with the appliance.
CONSUMER: Retain this manual for future reference.**

Table of Contents

Introduction.....	3
TEMCO Chimney System	3
Basic Rules.....	3
Model with Listed Features and Accessories	3
Planning Ahead	
Choosing the Location for Your Fireplace.....	4
Outside Air Kit and Glass Door Accessories.....	5
Gas Line	5
Drafts.....	5
Locating the Flue Pipe.....	5
Chimney Outlet.....	5
Firebox and Chimney System Clearances	5,6
Determining the R-Values.....	6
Fireplace Installation	
Installing the Firebox	7,8
Installing the Chimney	8
10 Foot Rule of Thumb.....	9
Offset Installations	9,10,11
Installing a Gas Line	12
Insulation of the Fireplace Enclosure	12
Finishing Your Fireplace	13,14
Using Your Fireplace	15
Replacement Parts.....	16
Warranty.....	17
Warranty Registration.....	18
Warranty - Glass Doors	19
Warranty - Blower.....	20

Models with Features and Accessories

Model	Face/Opening	Doors	Fan	Outside Combustion	
				Air Kit	Junction Box
TLC42-4MB	louvred 42" x 21 $\frac{7}{8}$ "	CX-61	BL-1	AK-18	JB-2
TLC36-3MB	louvred 36" x 21 $\frac{7}{8}$ "	CX-21	BL-1	AK-18	JB-2
TLC36-3MBE	louvred 36" x 21 $\frac{7}{8}$ "	CX-21	BL-1	AK-18	JB-2
TFC36-3M	flush 36" x 21 $\frac{7}{8}$ "	CX-21	N/A	AK-18	--

8" Diameter Double Wall Chimney System

Chimney Sections	Other Chimney Components
8212D 12" Section	SC1215-1 Storm Collar
8218D 18" Section	8232E 30° Elbow Set
8224D 24" Section	8204F-1 90° Firestop Spacer
8236D 36" Section	8230F-1 30° Firestop Spacer
8248D 48" Section	8206F 0-6/12 Roof Flashing
	8212F 7-12/12 Roof Flashing
	8203D Round Termination Cap

**TLC36-3MB, TLC36-3MBE, TLC42-4MB,
TFC36-3M
Listed**

**UL127 / ULC-S610
Standard for Factory Built Fireplaces**

Introduction

This book contains your installation instructions and should be kept in a safe place. It will be a handy reference guide to operating your fireplace after installation. For you to realize all the advantages and use of the reliable service that has been engineered into your TEMCO fireplace, you must carefully follow all of the instructions contained in this book regarding installation and operation of the fireplace. These instructions should be read carefully in their entirety before beginning installation of the fireplace.

ONCE THE FIREPLACE HAS BEEN INSTALLED, THE SECTION "USING YOUR FIREPLACE", FOUND ON PAGE 17 OF THIS MANUAL, SHOULD BE REVIEWED IN ITS ENTIRETY PRIOR TO OPERATING THE FIREPLACE.

It is suggested that you wear work gloves and safety glasses to protect hands and eyes when installing the fireplace.

NOTE: Authorities having jurisdiction (i.e. building inspectors, fire marshals, etc.) should be consulted before installation to determine the need to obtain a permit.

All models are listed for use in residential and/or manufactured housing construction in the United States with a MHSC double-wall 8" diameter air-cooled chimney and the components listed below.

BE SURE TO FOLLOW **EXACTLY** THE SPECIFIC INSTALLATION RESTRICTIONS THAT APPLY TO THE MODEL YOU ARE INSTALLING. The model number of the fireplace is located on a label behind the firescreen inside the front of the fireplace.

Listed in the United States by Underwriters Laboratories, Inc., #MH10105, ICBO Report AA-668/TL-157, SBCCI Report #8809, BOCA Report #87-31.

Precautions

1. The instructions on the following pages were designed to make the installation of your TEMCO fireplace as quick as possible. It is important that they be followed. This fireplace is to be installed only by a qualified installer.
2. Use only MHSC manufactured components, listed under **8" Diameter Chimney System** when installing a TEMCO fireplace. **Substituting other manufacturers' components for, or altering MHSC parts will void the UL listing and the MHSC warranty.**
3. Check local building codes for restrictions which may not be contained in this manual.
4. The fireplace design permits installation and framing adjacent to combustible materials. Do not set the fireplace on vinyl flooring or carpets.

COMBUSTIBLE MATERIALS MUST NOT OVERLAP THE SURFACE OF THE BLACK FRONT FACE PANELS. COMBUSTIBLES MAY BE INSTALLED OVER THE SIDE NAIL FLANGES UP TO THE EDGE OF THE FRONT FACE SURFACE.

5. **ALL CHIMNEY SECTIONS, ELBOWS AND FLUE SUP-**

PORTS REQUIRE AN ABSOLUTE MINIMUM OF 1" AIR SPACE CLEARANCE TO ALL COMBUSTIBLES.

6. The minimum distance from the fireplace opening to an adjacent combustible wall is 15½". Refer to Page 6 for alternative wall shields and required R-factors.
7. If the floor in front of the fireplace is combustible, a protective hearth extension must be used. Raised or floor level extensions may be constructed. On flush face models only, a raised hearth extension may be flush with the fireplace hearth. For a raised hearth on louvered models, the fireplace must also be installed on a platform.

Minimum hearth dimensions:

36" models 16" x 52"
42" models 20" x 66"

Since many hearth extension materials are not insulating materials, a layer of noncombustible inorganic insulating material must be used also. Refer to Pages 6 and 7 for R-factor requirements.

8. Adhere to the 10' Rule of Thumb for chimney height. Refer to Page 10.
9. Chimney supports:
 - a. Flue support is required for every 35' of vertical system height.
 - b. Flue support is required for every 6' of offset chimney.
 - c. Guy wire stabilizer is required for chimneys extending more than 6' above roof line.
10. Only MHSC model glass doors (see chart below) may be installed on these fireplaces.
11. The barometric damper on the Combustion Air Kit allows air to be drawn from above, below or behind the fireplace; but air must never be drawn from the attic or garage spaces. Refer to the air kit installation manual for complete installation and use information. The AK-18 Air Kit is designed to be installed through the floor of the home. The inlet duct should be located below the framing and insulated flooring materials, and communicate with a free air space.
12. Check your local building code to determine if grounding is required and what procedure should be followed. Grounding is recommended by the manufacturer if you live in an area of high risk due to electrical storms.
13. System specifications: Refer to Figures 11 through 14.
19. On louvered models, which have a factory installed blower or fan kit, it is necessary to bring a power source to the fireplace. Refer to separate installation instructions. Refer to BL-1 blower instructions for wiring procedures.
20. **READ THE COMPLETE MANUAL BEFORE BEGINNING THE INSTALLATION OF THE FIREPLACE**

WARNING: Do not install a fireplace in a sleeping room of a mobile home.

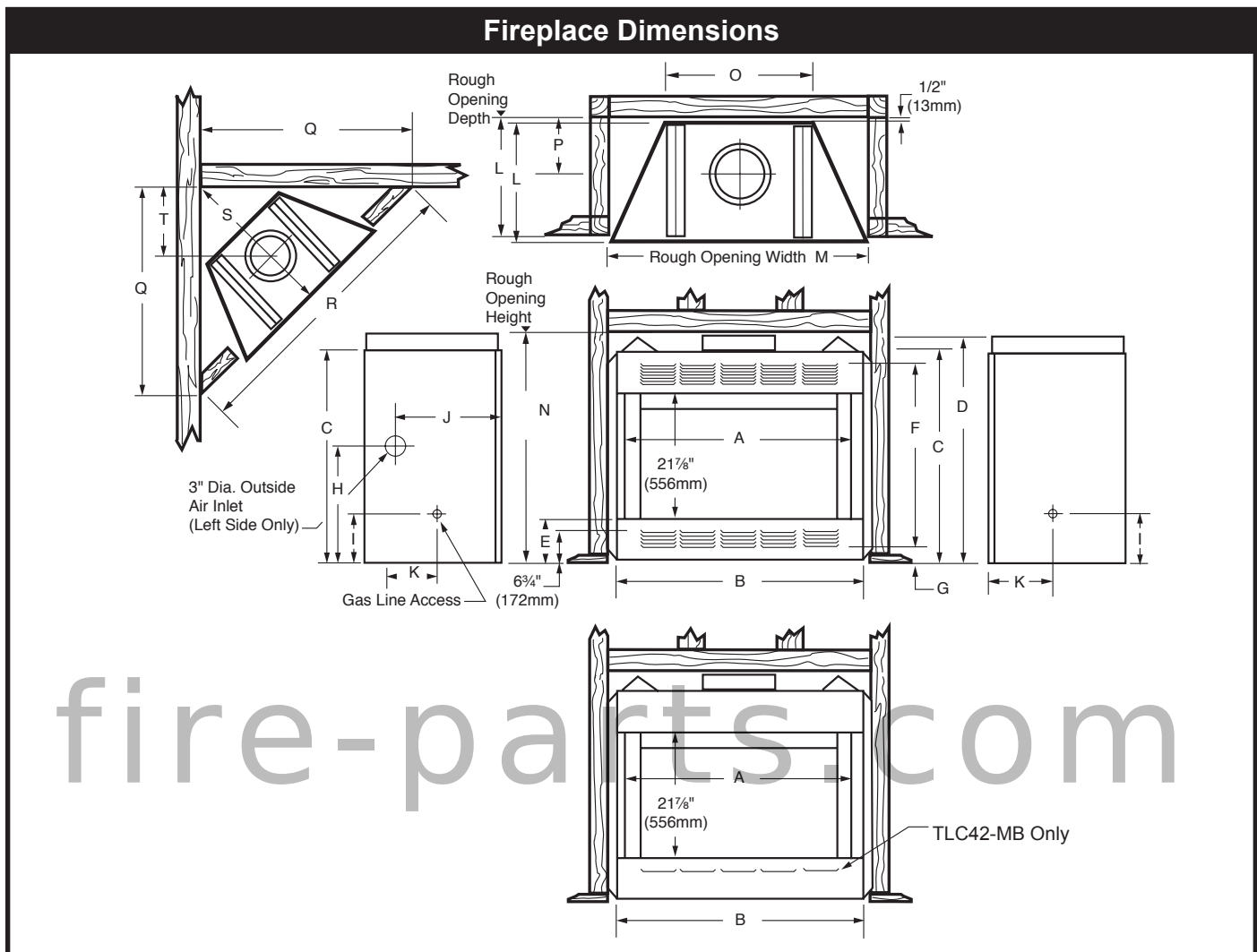


Fig. 1 Fireplace specifications and framing dimensions.

Ref.	TLC36-3MB	TLC36-3MBE	TLC42-4MB	TFC36-3M
A	36" (914 mm)	36" (914 mm)	42" (1067 mm)	36" (914 mm)
B	38 ¹ / ₂ " (978 mm)	38 ¹ / ₂ " (978 mm)	44 ⁹ / ₁₆ " (1132 mm)	38 ¹ / ₂ " (978 mm)
C	35" (889 mm)	35" (889 mm)	39" (991 mm)	35" (889 mm)
D	37 ³ / ₄ " (959 mm)	37 ³ / ₄ " (959 mm)	41 ¹ / ₂ " (1054 mm)	37 ³ / ₄ " (959 mm)
E	7" (178 mm)	7" (178 mm)	8" (203 mm)	7" (178 mm)
F	31 ¹ / ₄ " (794 mm)	31 ¹ / ₄ " (794 mm)	33" (838 mm)	n/a
G	2" (51 mm)	2" (51 mm)	3" (76 mm)	n/a
H	12 ¹ / ₈ " (308 mm)	12 ¹ / ₈ " (308 mm)	17" (432 mm)	12 ¹ / ₈ " (308 mm)
I	8 ⁵ / ₈ " (219 mm)	8 ⁵ / ₈ " (219 mm)	9 ³ / ₄ " (248 mm)	8 ⁵ / ₈ " (219 mm)
J	15 ¹ / ₂ " (394 mm)	15 ¹ / ₂ " (394 mm)	18" (457 mm)	15 ¹ / ₂ " (394 mm)
K	9" (229 mm)	9" (229 mm)	10 ¹ / ₂ " (267 mm)	9" (229 mm)
L	21" (533 mm)	21" (533 mm)	22" (559 mm)	21" (533 mm)
M	38 ³ / ₄ " (948 mm)	38 ³ / ₄ " (948 mm)	45" (1143 mm)	38 ³ / ₄ " (948 mm)
N	38 ¹ / ₄ " (972 mm)	38 ¹ / ₄ " (972 mm)	41 ³ / ₄ " (1061 mm)	38 ¹ / ₄ " (972 mm)
O	22" (559 mm)	22" (559 mm)	32" (813 mm)	22" (559 mm)
P	8 ⁷ / ₈ " (225 mm)	8 ⁷ / ₈ " (225 mm)	8 ¹ / ₂ " (216 mm)	8 ⁷ / ₈ " (225 mm)
Q	46" (1168 mm)	46" (1168 mm)	54" (1372 mm)	46" (1168 mm)
R	65" (1651 mm)	65" (1651 mm)	76 ¹ / ₄ " (1937 mm)	65" (1937 mm)
S	32 ¹ / ₂ " (826 mm)	32 ¹ / ₂ " (826 mm)	38 ¹ / ₈ " (968 mm)	32 ¹ / ₂ " (826 mm)
T	14 ³ / ₈ " (365 mm)	14 ³ / ₈ " (365 mm)	17 ⁵ / ₈ " (422 mm)	14 ³ / ₈ " (365 mm)

Installation

Locating the Fireplace

Figure 2 shows some of the many ways the fireplace may be installed. Consider the traffic pattern in the room and location doors and windows. A corner location may be best where space is limited.

The fireplace weighs no more than common furniture. If the fireplace is located near a load bearing wall, additional supports to the foundation will not be necessary.

HEAVY FACINGS SUCH AS SOLID BRICK, STONE, ETC., MAY REQUIRE ADDITIONAL FOUNDATION SUPPORT.

ALTHOUGH THIS UNIT MAY BE INSTALLED ON COMBUSTIBLE SURFACES, IT MUST NOT BE INSTALLED ON CARPET OR VINYL.

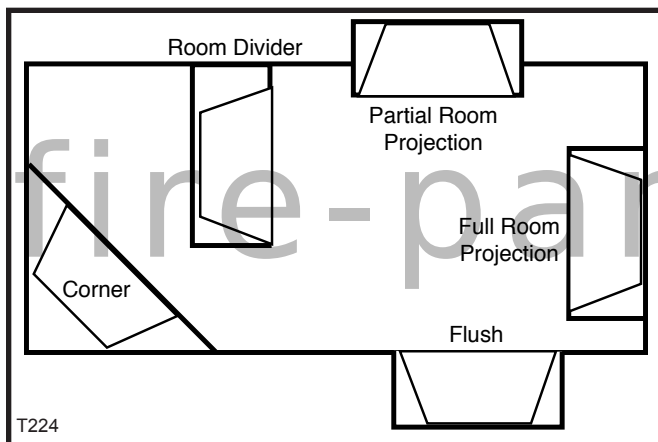


Fig. 2 Locate fireplace.

Outside Air Kit And Glass Door Accessories

A fireplace needs a steady supply of air in order to draw properly. Many houses and apartments which are well sealed lack sufficient air for normal operation. IN SUCH HOUSES, IT IS RECOMMENDED THAT A COMBUSTION AIR KIT BE INSTALLED. A combustion air kit will improve the efficiency of any fireplace, especially if used in conjunction with glass doors, because it allows you to use outside air for combustion instead of heated room air.

Installing the fireplace on an outside wall will simplify the installation of the combustion air kit and reduce the amount of necessary duct work. Install the air kit according to the separate installation instructions packed with it. If an air kit is to be installed, IT MUST BE INSTALLED AT THE TIME THE FIREPLACE IS INSTALLED, before its enclosure is finished.

The fireplace includes an integral barometric damper. The control lever is located on the left side behind the mesh screen.

Gas Line

If you plan to install a gas line, it must be installed at the time of framing the fireplace. The gas line must be installed in accordance with local codes. See p.12 for installation instructions.

Drafts

The location for the fireplace should be away from objects such as frequently opened doors and central heat air outlets and inlets that will create drafts and possibly hamper the normal flow of air into the fire.

Locating the Area Where the Flue Pipe Will Pass Through the Ceiling and the Roof

It is very important that you determine where the flue (chimney) will go through the ceiling and roof. Check the structure of your home to see that the location you have chosen will make installation as easy as possible. Using a plumb bob, hold the string from the ceiling and drop it, moving the string until the plumb bob is in the center of the flue collar opening. (Fig. 3) Mark the spot on the ceiling. You may wish to drive a nail through the ceiling at this spot. Then go into the attic and find the nail. Using the plumb bob with the ceiling nail as the center point of the flue, mark the center of the area on the roof through which the flue will pass. This is to see if it is possible to cut your opening for the flue in both the ceiling and roof without cutting either roof rafters or ceiling joists. A location that requires cutting the least number of joists and rafters will simplify the installation and reduce the cost. The structural integrity of a home's floor, walls, ceiling and roof must be maintained. It is not recommended to cut roof trusses.

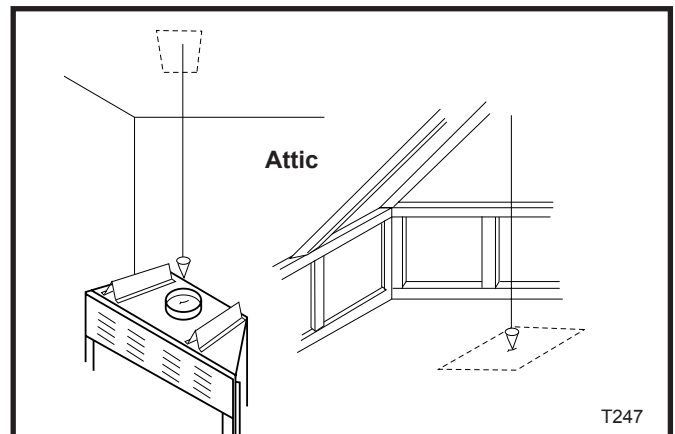


Fig. 3 Use a plumb bob to locate center of flue collar.

Chimney Outlet

Thought should be given to the proposed location of the chimney outlet on the roof. Objects such as trees, adjacent buildings or embankments that are too close to the chimney can create air circulation problems during windy weather that could affect the way the fireplace draws air.

After careful consideration, choose the location for your fireplace to achieve the simplest installation for maximum efficiency.

Firebox and Chimney System Clearances

The fireplace may be placed directly on a combustible floor, against a combustible wall at marked clearances or on a raised wooden platform.

If the fireplace is to be installed on a raised platform, the platform must be a continuous level surface.

The fireplace must be secured in place so it cannot shift positions. The nailing flanges on the sides of the firebox make securing the firebox to the frame quick and easy. The nailing flanges were designed to allow the installation of 1/2" wallboard or plywood flush with the face of the fireplace.

Only the header (Fig. 4) may rest on the standoffs on top of the firebox.

Combustible materials may not cover any part of the black metal surrounding the firebox opening. (Fig. 4)

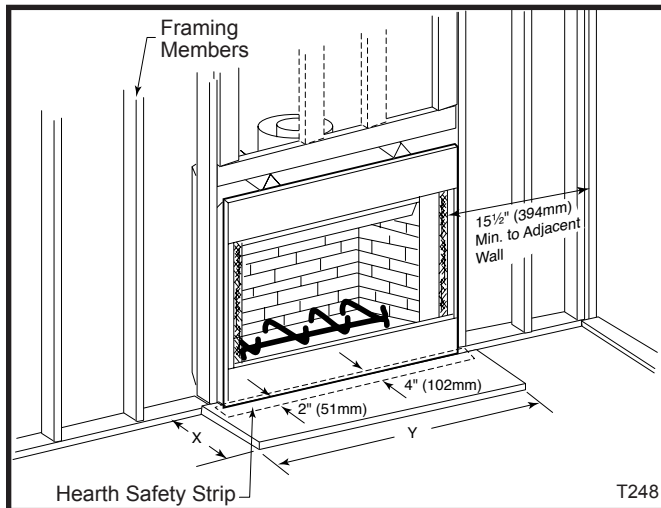


Fig. 4 Fireplace framing. Refer to Page 5 for minimum "X", "Y" dimensions and Section C for minimum "R" values of the hearth extension.

Do not install the firebox over vinyl floors or carpet.

Combustible floors in front and to the sides of the firebox opening must be protected by a noncombustible hearth extension as shown in Figure 4.

THE CAUTIONS BELOW RELATE TO LOCATIONS ON FIGURE 4, (letters on pictures correspond with items below).

A. When installing the hearth extension, a protective metal safety strip is not required below the front face of the fireplace and mating edge of the hearth extension if the following steps are taken:

1. The pre-fabricated hearth extension (or site built) must be secured to the floor of the home to prevent shifting. Various methods of attachment may be used including screws, nails, or common construction adhesives.
2. After the fireplace and hearth extension have been secured, the gap between the fireplace and hearth extension must be filled or sealed with a non-combustible grout, caulk, or sealant.

(OR)

If a protective metal strip is used under the space between the fireplace and hearth extension, sealing of the gap between the fireplace and hearth extension is optional.

B. COMBUSTIBLE MATERIALS MUST NOT OVERLAP THE SURFACE OF THE BLACK FRONT FACE PANELS. COMBUSTIBLES MAY BE INSTALLED OVER THE SIDE NAIL FLANGES UP TO THE EDGE OF THE FRONT FACE SURFACE. DO NOT BLOCK HEAT CIRCULATING AIR INLETS OR OUTLETS. DOING SO MAY RESULT IN A POTENTIAL FIRE HAZARD.

C. If the floor in front of the fireplace is combustible, either a raised or floor-level protective hearth extension must be constructed. For flush-face models only, a raised hearth extension may be flush with the fireplace hearth. To construct a raised hearth extension with louvered models, the fireplace must rest on a raised platform. A raised hearth extension must have minimum dimensions as follows:

	X	Y
36" Models	16" (406 mm)	52" (1321 mm)
42" Models	20" (508 mm)	66" (1676 mm)

and be constructed of materials with an R-factor equal to or greater than 1.20.

A hearth extension installed directly on the floor must be a minimum of 16" x 52" (406 x 1321mm) and be constructed of materials with an R-factor equal to or greater than .80. If combustible materials are used to construct the hearth extension, they must not touch the black surface of the fireplace. The same material that is used to protect the top of the hearth extension must be placed between the combustible hearth and the black face of the fireplace. The hearth extension must be fastened to the floor to prevent shifting and the gap between the fireplace and the hearth extension must be sealed with a noncombustible material (400°F. min) if a metal safety strip is not used. These materials (listed below) may be used for a wall shield as well.

- D. The framing header may rest on top of the standoffs.
- E. The minimum distance from the fireplace opening to an adjacent combustible wall is 15½" (394 mm). The minimum distance to an adjacent combustible wall may be reduced to 12" (305 mm) when an approved wall shield is used on the wall. The wall shield must be 40" x 40" (1016 x 1016 mm) and be constructed of a noncombustible, inorganic material having a thermal resistance of R = 1.49.

Determining the R-Values

The hearth extension must be constructed of non-combustible materials which have a total thermal resistance (R factor) equal to or greater than .80 for floor level hearth extensions or 1.20 for raised hearth extensions and be a minimum size as shown in the table on page 5. Choose the desired materials and obtain the K value at 75° mean temperature. The C value and the R value may be calculated with the following formulas:

K = Thermal conductivity. $K = \text{BTUs-ins./hrs.-ft.}^2\text{-}^\circ\text{F}$

T = thickness C= Thermal conductance

R = Thermal resistance $K/T = C$; $1/C = R$

Example: 3/4" Marble with 3/8" Micore

Determine the R value for each material used as follows:

Marble: $K/T = 11/.75 = 14.66$.

$1/C = 1/14.66 = 0.068$ (R factor)

Micore 300: $K/T = .458/.375 = 1.22$.

$1/C = 1/1.22 = 0.82$ (R factor)

After the R value is obtained on each material in this hearth, add the R values to obtain total thermal resistance (R).

Total R factor = $0.068 + 0.82 = 0.89$

The total must be equal to or greater than specified above. Typical materials: Micore 300 has a K of .458; Micore 230 has a K of .43; Micore 180 has a K of .34; Ceraboard has a K of .34; common brick has a K of 5; cement mortar has a K of 5; marble has a K of 11; limestone has a K of 6.5; tile has a K of 12; slate has a K of 21; Wonder Board has a K value of 3.2.

MICORE NC 180-300, manufactured by U.S. GYPSUM CORPORATION

CONWED SPEC 300, manufactured by CONWED CORPORATION

CERA FORM TYPE 106R board, manufactured by JOHNS-MANVILLE.

WONDER BOARD, manufactured by GOLD BOND BUILDING PRODUCTS.

Installation

This list of specific instructions will help you make certain that every installation operation is done correctly. Complete the installation steps in the sequence shown.

Local building codes should be consulted in all cases as to the particular requirements concerning the installation of factory built fireplaces. Select the location for the fireplace by taking into consideration the factors previously outlined in the Planning Ahead section of the manual.

TLC36-3MB, TLC36-3MBE, TFC36-3M and TLC42-4MB fireplaces are Underwriters Laboratories listed for installation in a manufactured (mobile) home with MHSC double-wall 8" air-cooled chimney and components.

MHSC glass doors, firestop thimble and Model AK-18 combustion air kit must be installed for manufactured (mobile) home use. The duct for the combustion air kit may go through the floor or the side wall of the home. A BL-1 Blower Accessory is factory installed on louvred circulator models only.

Refer to Figure 10 for minimum system height. The height of the system is measured from the base of the fireplace and includes 6" of the chimney cap.

Installing the Firebox

STEP 1. Framing the Firebox

When framing the opening for the fireplace, make certain that the header is the correct height above the surface upon which the fireplace will sit. The header must be level. The header and framing may be installed as shown in Figure 5 or Figure 7 according to the installer's preference.

The entire fireplace can be elevated above the floor to achieve a raised hearth effect. This can be done by adding a small platform to achieve the desired height.

The nailing flanges on the side of the firebox were designed to allow the installation of 1/2" wallboard or plywood flush with the face of the firebox. Metal floor tabs are provided to secure the fireplace to the floor of the home.

STEP 2. Hearth Safety Strip

If used, a Hearth Safety Strip should be installed under the fireplace when the fireplace is installed on a combustible floor. This strip should be positioned on the floor to extend 2" (51 mm) under the fireplace, 2" (51 mm) under hearth extension and 6" (152 mm) on either side of the firebox opening at the point where the hearth extension meets the fireplace. If a hearth safety strip is not used, the gap between the hearth extension and the fireplace face must be sealed or grouted (400°F min.). (Fig. 4 and 6)

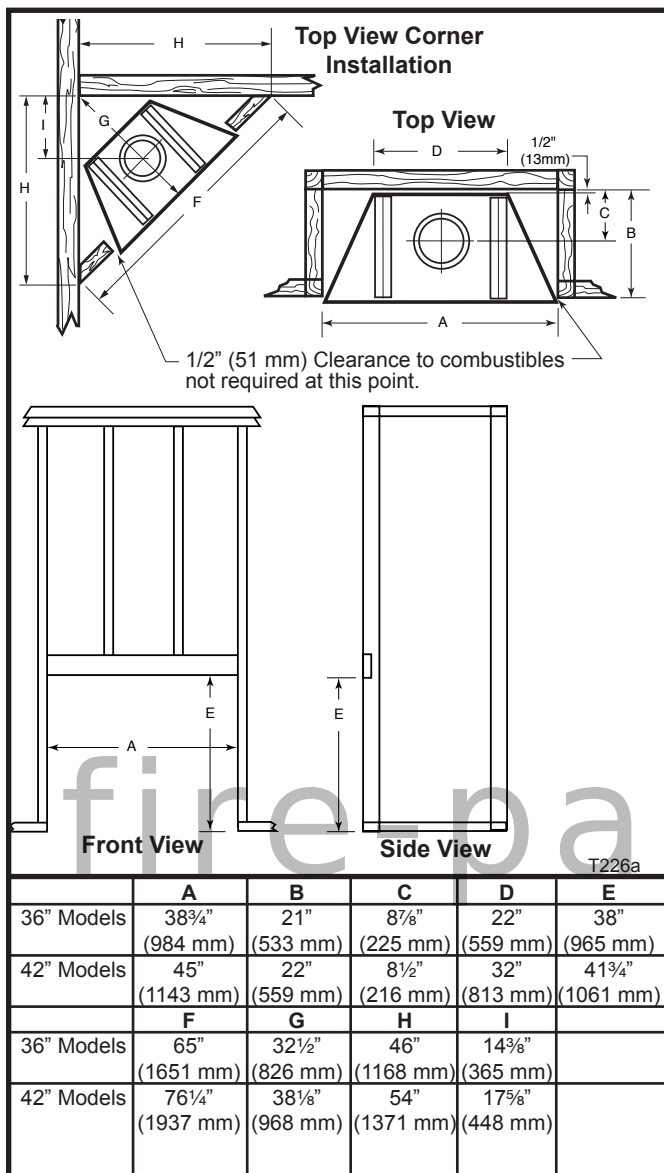


Fig. 5 Framing dimensions.

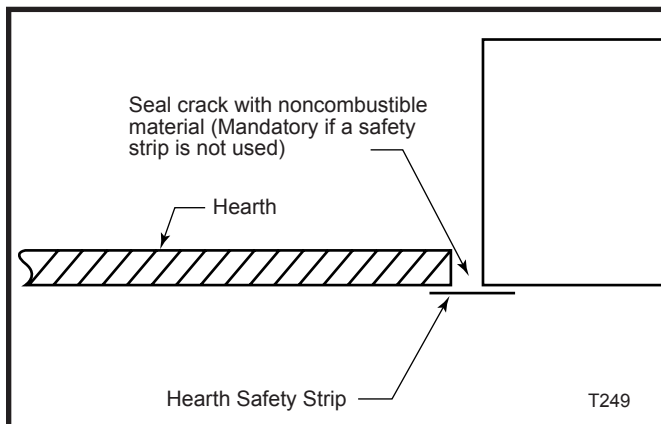


Fig. 6 Hearth safety strip.

STEP 3. Install the Firebox

Install fireplace into the framed opening by setting the unit directly in front of the opening and then sliding it into the proper position.

STEP 4. Level the Firebox

Check the level of the fireplace by placing a level on the top edge of the fireplace face. Shim with sheet metal if necessary.

STEP 5. Secure the Firebox

Secure the fireplace to the framing. The nailing flanges on the firebox will make securing the firebox to the frame quick and easy. Secure the unit to the floor of the home using tabs at the bottom of each side. Use the appropriate size nails or screws to secure the firebox.

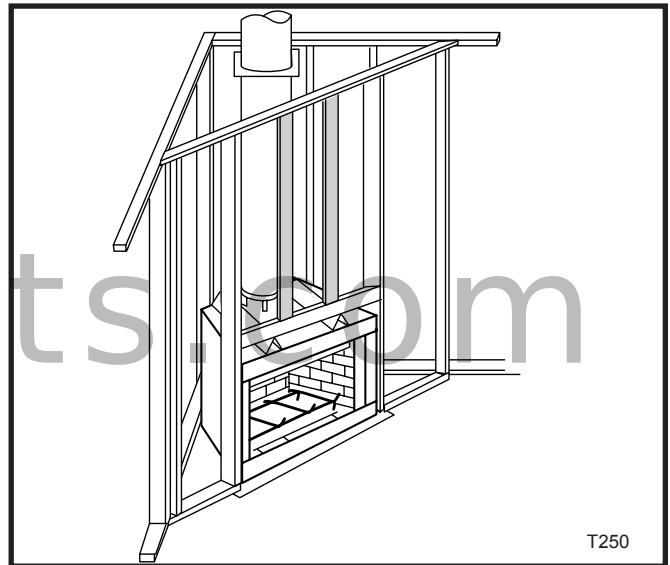


Fig. 7 Install shaded framing after chimney has been installed.

STEP 6. Framing Ceiling and Roof Opening

Refer to Figure 13 for instructions if the flue-pipe will be offset below the ceiling level.

If you are not using elbows in this installation, frame the ceiling and roof openings directly above one another in the locations you chose in the Planning Ahead section of this manual. The flue should go straight up to the chimney termination.

CAUTION: The structural integrity of the floor, wall, ceiling, roof trusses and any other structural members must be maintained.

STEP 7. Installing Firestop Thimble

A firestop thimble is required in all manufactured (mobile) home installations. The Model UFT8-1 universal firestop thimble may be used for flat and vaulted home ceilings (00 to 300). (**NOTE:** TE-1 thimble extensions are not required if the chimney passes through a vented attic space and the total chimney height from the floor to the flue outlet is 13'-6" (4.1 m) minimum.)

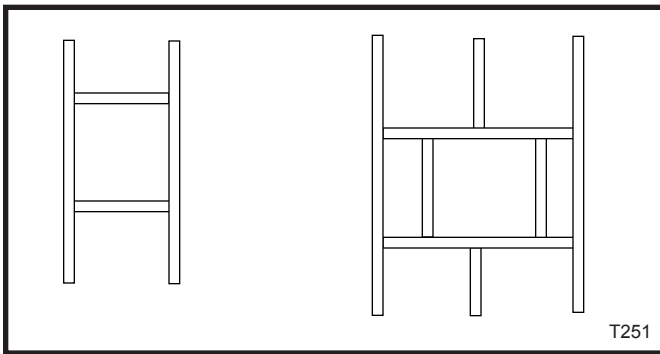


Fig. 8 Ceiling framing options.

The firestop thimble is designed to eliminate the need to cut trusses when installing the 8" (203 mm) chimney between standard roof trusses fabricated on 16" (406 mm) centers. Locate and mark the center of the ceiling at the ceiling level. For flat ceilings, cut a 14½" (368 mm) square in the ceiling. For vaulted ceilings, a larger cutout is needed to provide sufficient clearance. The width of the cutout will still be 14½" (368mm), but the length should be increased in order to maintain proper clearances from the chimney components to combustibles. **NOTE:** Sealing of the space between the firestop base plate and firestop thimble is not required. Position the firestop thimble with the flanges up and with the cylindrical portion extending up into the hole. Nail the firestop thimble securely to the framing. The firestop thimble has a 10" (254 mm) sleeve that functions as an insulation/heat shield. A firestop thimble extension model TE-1 is required if the thickness of the ceiling is such that the heat shield on the thimble does not extend into the roof flashing. The thimble extension slips into the firestop thimble and is fastened to the thimble

with sheet metal screws. A Model 8206F roof flashing, storm collar, and the 8203D termination cap are required to complete the installation. (**NOTE:** When clearances are a concern for home transportation to site, the last piece of vent pipe and termination cap may be installed at destination.)

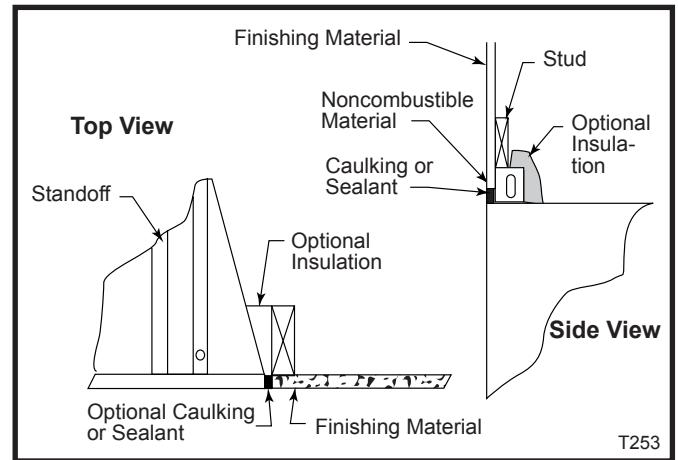


Fig. 9 Finishing the fireplace.

Installing The Chimney

Double Wall Chimney pipe has two sections: the inner and the outer sections. It is very important that both sections be installed for each length of chimney used in the system.

CAUTION: The outer pipe section has a wire spacer used to center the inner pipe. This is required to maintain clearances to combustible construction. Do not remove!

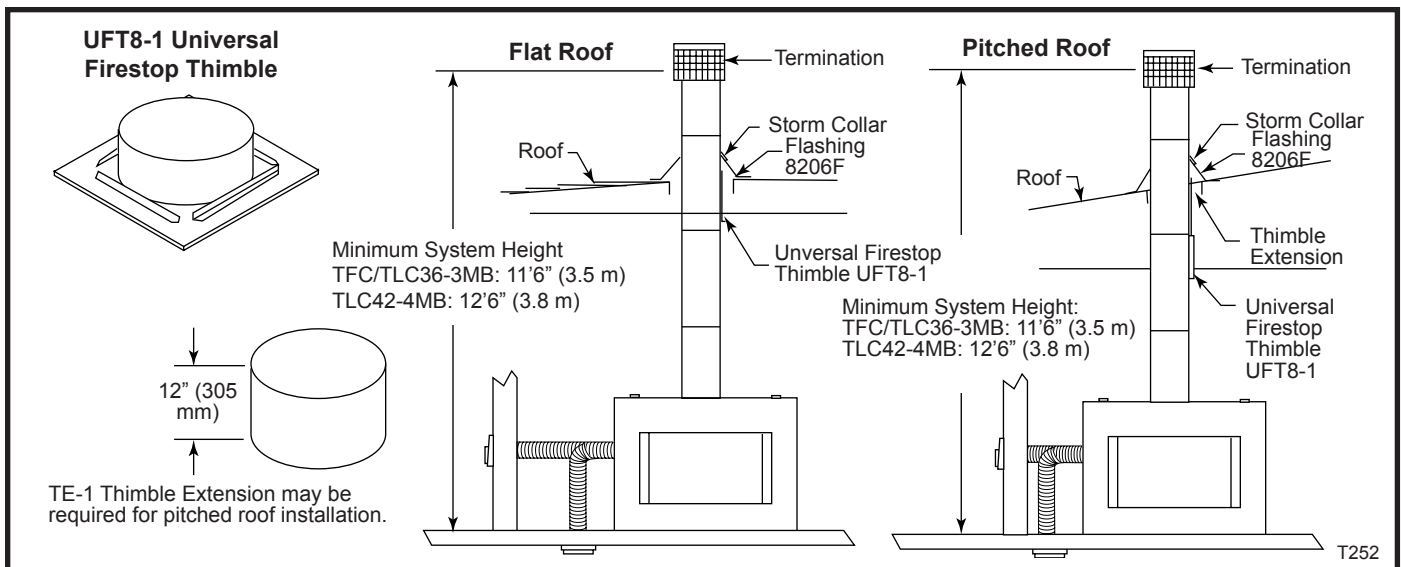


Fig. 10 Manufactured housing installations.

STEP 8.

Insert the inner (8" / 203 mm) pipe with the male end pointing DOWN into the inner collar. The inner flue section fits inside the inner collar. Push the pipe until it bottoms and the snap locks engage. Check each joint to ensure that the sections are securely locked together.

STEP 9

Slip the outer (12" / 305 mm) pipe with the male end UP over the other pipe and over the outer collar. The outer flue section fits on the outside of the outer flue collar. Push the pipe until it bottoms and the snap locks engage. Screws may be used only in the outer pipe for additional support if desired.

STEP 10

Continue this process of adding chimney pipe sections on top of each other until the pipe penetrates the roof opening enough to allow you to install the flashing and storm collar. Chimney sections must be supported by either guy wires or 3/4" (19 mm) conduit flattened on the ends when the chimney extends 6' (1.8 m) or more above the roof. The chimney may be extended to a maximum of 12' (3.7 m) above the roof. A flue support must be used when the system is 35' (10.7 m) or higher.

Offset Installations

Rules governing offset installations

Sometimes it is necessary to use elbows to create an inclined run of pipe (offset installation) that will make installation easier by avoiding plumbing, wiring or other obstructions. The following rules apply to offset installations.

- 60' (18.3m) maximum system height.
- Four 30° elbows (two pairs) maximum per system. Each offset elbow must be used with a return elbow. The chimney pipe must be vertical when it penetrates the roof.
- The chimney offset is to be a maximum of 30° from vertical.
- Maximum inclined chimney run of 20' (6m).
- Additional support is to be provided every 6' (1.8m) of inclined run of chimney. Use flue support 8204S.
- Minimum height of fireplace using two elbows (one pair) is 13'6" (4.1m); four elbows (two pairs) is 21' (6.4m).
- Elbows may be used directly off the top of the firebox and may be mounted with the return elbow directly on top of the offset elbow.
- A MINIMUM OF 1" (25mm) AIR SPACE CLEARANCE MUST BE MAINTAINED FROM THE CHIMNEY PIPE AND ELBOWS TO ALL COMBUSTIBLES.

- Local building codes must be followed in all cases as to the particular requirements concerning the installation of factory built fireplaces.

Elbow Installation

1. Place the offset elbow (no straps) on top of the firebox or chimney section and point the upper half in the direction you require the chimney to incline. Snap lock all sections permanently in place.
2. Adjust the inner section of the elbow into the inside of the inner collar of the firebox or the inner section of the chimney pipe.
3. Adjust the outer section of the elbow over the outer section of the flue collar or outer section of the chimney pipe. Snaplock all sections permanently into place.
4. The return elbow has 18" (457 mm) support straps. The support straps should be nailed to the framing in the manner indicated in Figure 12. It may be necessary to add framing or lengthen the straps with hanger iron to support chimney pipe and elbows.
5. Refer to Figure 13 for offset calculation: Locate the center point of the flue on the ceiling with a plumb bob as shown on Page 5. The center of the correct location for the ceiling opening will be the amount of the offset dimension away from the ceiling nail. The "X" dimension in the drawing is the amount of the offset. Be sure to consider the direction that your offset will incline. To achieve the minimum offset, (see table), attach the return elbow to the first elbow. To achieve further offset, you may install various lengths of pipe between the elbows to a maximum length of 72" (1829 mm) without a flue support.
6. When the flue penetrates the ceiling at a 30° angle, install firestop spacer 8230F. (See Step 7 on Page 8 for construction detail.)

Chimney Termination Height 10 Foot Rule

Under most conditions the fireplace system will draw properly if the chimney height is determined in accordance with the following guidelines:

1. If your chimney penetrates the roof within 10' (3 m) of its peak, it must extend at least 24" (610 mm) above your roof's peak and be at least 36" (914 mm) above the highest point of the roof opening. (Fig. 11)
2. If the chimney penetrates the roof farther than 10' (3 m) from its peak, measure from the center line of the chimney to a point 10' (3 m) away, between the chimney and the peak of the roof. The top of the chimney must be at least 24" (610 mm) above this point and at least 36" (914 mm) above the highest point of the roof opening. (Fig. 11)

- When figuring required chimney height, the termination counts as 6" of effective chimney height. The balance of the required height will consist of chimney sections and the effective height of the firebox.
- The 10' Rule is a guide for calculating chimney height that works under most conditions. However, many factors can cause the need for additional chimney height beyond what the 10' Rule would indicate. Topographical factors can cause high pressure zones which prevent a chimney from drawing. This can occur if the house is located in a low lying area, in a valley or near the base of a cliff or hillside. The same situation can occur if the chimney is near other steep roof lines or tall buildings. Areas with high winds also frequently require higher than normal chimneys. Certain styles of architecture tend to interfere with a fireplace's proper draw. If the room in which the fireplace is located has a very high ceiling,

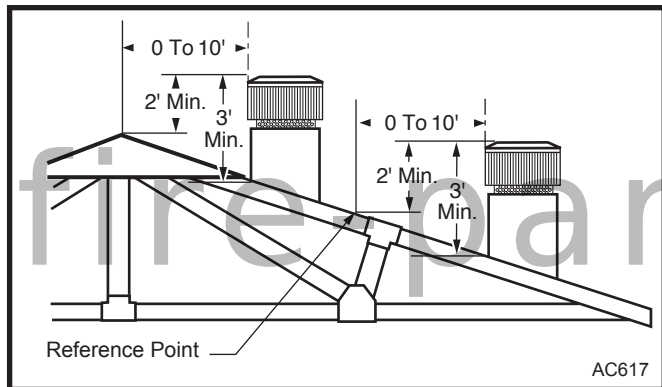


Fig. 11 10' rule.

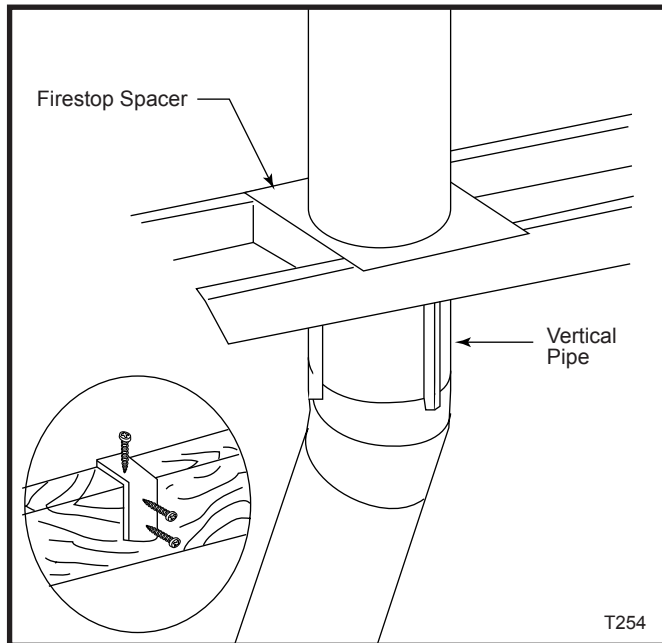


Fig. 12 Offset installation.

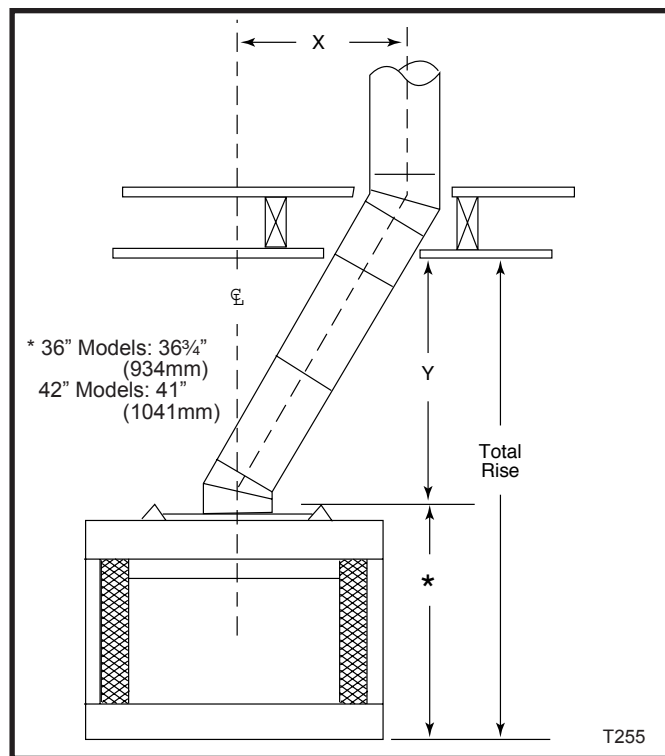


Fig. 13 Offset calculation.

Lineal, Vertical & Horizontal Gain of Installed Components			
Component Only	Actual Vert. Gain	Offset "X" (Chimney at 30°)	Offset "Y" (Chimney at 30°)
36" Fireplace	36¾"	--	--
42" Fireplace	41"	--	--
8203D Round Cap	6"	--	--
8232E Elbow (30°)	--	37⁄8"	145⁄8"
8212D (12" Pipe Section)	10"	5"	85⁄8"
8218D (18" Pipe Section)	16"	8"	137⁄8"
8236E (36" Pipe Section)	34"	17"	293⁄8"
8248E (48" Pipe Section)	46"	23"	397⁄8"
8204S Flue Support	3¾"	17⁄8"	3¼"

smoke may enter the room unless the chimney is terminated at a level higher than that of the ceiling, even if the 10' Rule indicates a shorter chimney height.

STEP 11 Installing Flashing

Place the flashing over the chimney pipe where it penetrates the roof and mark the outline of the flashing on the roof. Remove the nails from the shingles inside this outline and to the bottom edge of the roof cutout. Coat the roof area under the shingles with roofing cement. Slide the flashing under the shingles on the sides of the flashing and re-nail the top and side shingles. **DO NOT** nail through the lower portion of the flashing. If necessary, cover the side and top of the flashing with the salvaged shingles. The flashing should cover the lower side of the roof opening as pictured in Figure 14.

Vertical Elevation Chart*					
Height of Chimney Only		Number of Chimney Lengths			
Inches	Feet/Inches	12"	18"	36"	48"
10	0'-10"	1	0	0	0
16	1'-4"	0	1	0	0
20	1'-8"	2	0	0	0
26	2'-2"	1	1	0	0
34	2'-10"	0	0	1	0
46	3'-10"	0	0	0	1
50	4'-2"	0	1	1	0
56	4'-8"	1	0	0	1
62	5'-2"	0	1	0	1
66	5'-6"	2	0	0	1
72	6'-0"	1	1	0	1
80	6'-8"	0	0	1	1
92	7'-8"	0	0	0	2
96	8'-0"	0	1	1	1
102	8'-6"	1	0	0	2
108	9'-0"	0	1	0	2
112	9'-4"	2	0	0	2
118	9'-10"	1	1	0	2
126	10'-6"	0	0	1	2
136	11'-4"	1	0	1	2
138	11'-6"	0	0	0	3
142	11'-10"	0	1	1	2
148	12'-4"	1	0	0	3
154	12'-10"	0	1	0	3
158	13'-2"	2	0	0	3
164	13'-8"	1	1	0	3
172	14'-4"	0	0	1	3
182	15'-2"	1	0	1	3
184	15'-4"	0	0	0	4
188	15'-8"	0	1	1	3
194	16'-2"	1	0	0	4
200	16'-8"	0	1	0	4
204	17'-0"	2	0	0	4
210	17'-6"	1	1	0	4
218	18'-2"	0	0	1	4
228	19'-0"	1	0	1	4
230	19'-2"	0	0	0	5
234	19'-6"	0	1	1	4
240	20'-0"	1	0	0	5
246	20'-6"	0	1	0	5

*Add 36³/₄" for 36" Fireplaces
 *Add 41" for 42" fireplaces
 *Add 6" for 8203D Cap
 *Add 3³/₄" for 8204S Flue Support (if needed)

STEP 12. Installing The Storm Collar

The storm collar is assembled to the chimney system next. Holding the adjustable storm collar with the tab of the collar in your right hand, put the collar around the flue pipe. Push the tab on the collar through the slot provided. Pull the tab through and bend it just enough so that the collar may be raised upward.

Apply waterproof caulking around the flashing where the collar fits around the top of the flashing. Push the storm collar down securely on the sealer and flashing. To secure the collar, pull the tab through the slot as far as possible and bend the tab over to hold it in place.

STEP 13. Installing The Termination Cap

A chimney termination is required to finish the installation. The following instructions are for the 8203D termination. Refer to the instructions packed with the termination for additional information.

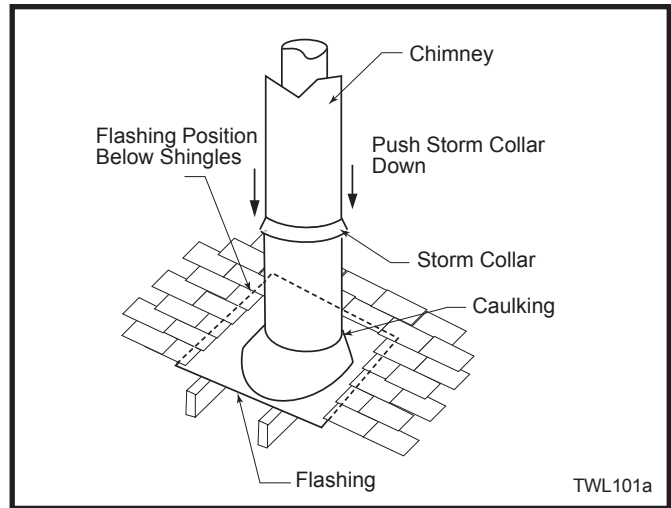


Fig. 14 Roof flashing and storm collar installation.

Installing A Gas Line

All Temco fireplaces are designed to accept a 1/2" gas line. The gas appliance must be certified, listed or approved for installation in a solid fuel fired fireplace by a nationally recognized certification agency. A gas appliance must be installed and operated in accordance with the instructions provided by the appliance manufacturer and the National Fuel Gas Code ANSI Z223.1. The fireplace has a factory installed tube for insertion of the gas line. Refer to page 4 for gas line inlet location.

NOTE: A minimum 1/2" clearance from the gas pipe must be maintained within 4" of the fireplace. (Fig. 15)

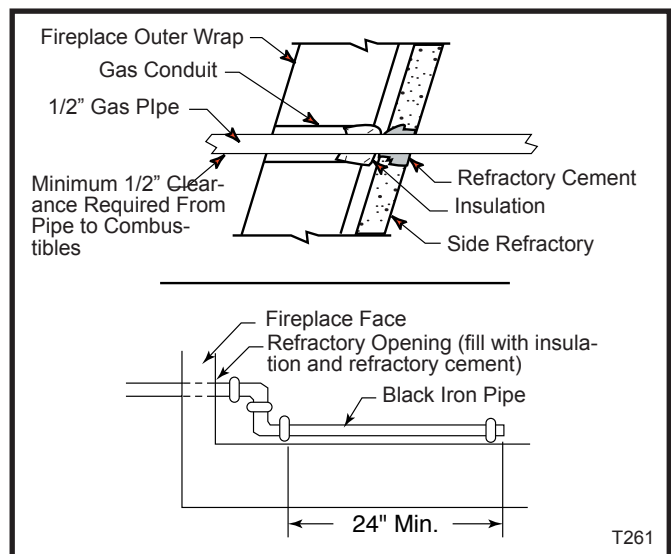


Fig. 15 Typical gas line installation.

Offset and Rise Chart							
Including One Set of Elbows and Flue Supports as Needed (Not including fireplace or termination cap)							
Height of Chimney Only (inches)		8232E Elbow Set	Number of Chimney Lengths				8204S Flue Support
"X" Offset	"Y" Rise		12"	18"	36"	48"	
8 ⁷ / ₈ "	23 ¹ / ₄ "	1	1	0	0	0	--
11 ⁷ / ₈ "	28 ¹ / ₂ "	1	0	1	0	0	--
13 ⁷ / ₈ "	31 ⁷ / ₈ "	1	2	0	0	0	--
16 ⁷ / ₈ "	37 ¹ / ₈ "	1	1	1	0	0	--
20 ⁷ / ₈ "	44"	1	0	0	1	0	--
26 ⁷ / ₈ "	54 ¹ / ₂ "	1	0	0	0	1	--
28 ⁷ / ₈ "	57 ⁷ / ₈ "	1	0	1	1	0	--
31 ⁷ / ₈ "	63 ¹ / ₈ "	1	1	0	0	1	--
34 ⁷ / ₈ "	68 ³ / ₈ "	1	0	1	0	1	--
36 ⁷ / ₈ "	71 ³ / ₄ "	1	2	0	0	1	--
39 ⁷ / ₈ "	80 ¹ / ₄ "	1	1	1	0	1	1
43 ⁷ / ₈ "	87 ¹ / ₈ "	1	0	0	1	1	1
49 ⁷ / ₈ "	97 ⁵ / ₈ "	1	0	0	0	2	1
51 ⁷ / ₈ "	101"	1	0	1	1	1	1
54 ⁷ / ₈ "	106 ¹ / ₄ "	1	1	0	0	2	1
57 ⁷ / ₈ "	111 ¹ / ₂ "	1	0	1	0	2	1
59 ⁷ / ₈ "	114 ⁷ / ₈ "	1	2	0	0	2	1
62 ⁷ / ₈ "	120 ¹ / ₈ "	1	1	1	0	2	1
66 ⁷ / ₈ "	127"	1	0	0	1	2	1
71 ⁷ / ₈ "	135 ⁵ / ₈ "	1	1	0	1	2	1
72 ⁷ / ₈ "	137 ¹ / ₂ "	1	0	0	0	3	1
74 ⁷ / ₈ "	140 ⁷ / ₈ "	1	0	1	1	2	1
77 ⁷ / ₈ "	149 ³ / ₈ "	1	1	0	0	3	2
80 ⁷ / ₈ "	154 ⁵ / ₈ "	1	0	1	0	3	2
82 ⁷ / ₈ "	158"	1	2	0	0	3	2
85 ⁷ / ₈ "	163 ¹ / ₄ "	1	1	1	0	3	2
89 ⁷ / ₈ "	170 ¹ / ₈ "	1	0	0	1	3	2
94 ⁷ / ₈ "	178 ³ / ₄ "	1	1	0	1	3	2
95 ⁷ / ₈ "	180 ⁵ / ₈ "	1	0	0	0	4	2
97 ⁷ / ₈ "	184"	1	0	1	1	3	2
100 ⁷ / ₈ "	189 ¹ / ₄ "	1	1	0	0	4	2
103 ⁷ / ₈ "	194 ¹ / ₂ "	1	0	1	0	4	2
105 ⁷ / ₈ "	197 ⁷ / ₈ "	1	2	0	0	4	2
108 ⁷ / ₈ "	203 ¹ / ₈ "	1	1	1	0	4	2
112 ⁷ / ₈ "	213 ¹ / ₄ "	1	0	0	1	4	3
117 ⁷ / ₈ "	221 ⁷ / ₈ "	1	1	0	1	4	3
118 ⁷ / ₈ "	223 ³ / ₄ "	1	0	0	0	5	3
120 ⁷ / ₈ "	227 ¹ / ₈ "	1	0	1	1	4	3
125 ⁷ / ₈ "	232 ³ / ₈ "	1	1	0	0	5	3
126 ⁷ / ₈ "	237 ⁵ / ₈ "	1	0	1	0	5	3

To "Y" Dimension add 36³/₄" for 36" Fireplaces
 To "Y" Dimension add 41" for 42" Fireplaces
 To "Y" Dimension add 6" for 803D Termination Cap

To install the gas line, use a hammer and punch gently to knock a hole through the refractory at the emboss. Remove the insulation from the inlet tube. Run the line to just outside the gas inlet hole of the fireplace. Slide a 1/2" gas line nipple through the tube and attach to the line. Finish installation by either capping gas line inside fireplace or by attaching an approved gas appliance in accordance with its installation instructions. Re-install insulation around the gas line to seal between the gas line and gas conduit. Seal around the gas line and the refractory with refractory cement.

CAUTION: When using a decorative appliance, the fireplace damper must be set in the fully open position.

Optional Cold Climate Installations

NOTE: THE FOLLOWING INFORMATION ON SEALING AND INSULATING THE FIREPLACE IS LEFT UP TO THE DISCRETION OF THE INDIVIDUAL HOME MANUFACTURER THESE STEPS ARE NOT REQUIRED FOR SAFE INSTALLATION OF THE FIREPLACE SYSTEM.

The insulation and sealing of the enclosure around the fireplace is very important in cold climates. If the enclosure is insulated and sealed properly, you can avoid future cold air problems. The time taken to install the firebox correctly is well worthwhile.

Insulation of the Fireplace Enclosure

When in a chase or on an outside wall, the fireplace enclosure can be insulated like any other outside wall. Insulation can be installed on the outside walls and the wall above the fireplace. In chase installations, install a firestop at the first ceiling level above the fireplace and seal the remaining area with either sheet metal or 1/2" gypsum wallboard. Insulation may then be installed above the sheeting material. Required clearances to the chimney pipe must be maintained. Lining the interior walls of the fireplace enclosure with gypsum wallboard will further reduce cold air infiltration.

Insulate to Seal Under the Fireplace

Insulating under the fireplace is beneficial. The fireplace should be placed on insulating board. It is important that a hard, rigid surface be maintained, so do not use fiberglass insulation for this purpose. In a chase that cantilevers outside the house, it is beneficial to insulate between the floor joists.

CAUTION: When installing a fireplace in an insulated enclosure, be sure to maintain all marked air spaces.

Seal Seams

Seal between the fireplace and finishing materials. Use high temperature caulk. Refer to Figure 9 for the details of sealing spaces between the fireplace and finishing materials. Note the small amount of insulation installed across the top of the fireplace and down the sides as a backing for the caulk.

DO NOT BLOCK INLET HOLES AT BASE OF CHIMNEY SYSTEM.

Finishing the Fireplace

There are a wide variety of finishing materials available for your TEMCO fireplace from formal wall treatments with marble and mantels to rustic wood paneling, stone or brick.

It is important that the black face surface of the fireplace not be covered with any type of combustible material (**NOTE:** This does not apply to the face extension panels). Non-combustible facing materials such as marble, brick or ceramic tile may overlap the black face of the fireplace but must not cover louvered vents above and below the opening. Seal all joints between the black fireplace face and the wall covering with a heat-resistant material (4000°F. Min.) such as rock wool insulation or mortar. Be sure to use high temperature adhesive or mortar when anchoring brick, stone or tile to the face of the fireplace. Check to see whether man-made brick and stone are made of non-combustible materials before using them on the face of the fireplace. Some of these products contain combustible materials. Combustible wall coverings such as paneling or wall-board may not overlap the black face of the fireplace. The space between the wall covering and the fireplace should be sealed with a heat-resistant material such as rock wool insulation or mortar (4000°F. Min.).

NOTE: An "L" shaped steel lintel must be installed across the top of the firebox opening where facing materials such as solid brick or stone are used on the face of the firebox. It acts as a support/firestop. It should be attached to the face of the fireplace with screws and sealed to the fireplace with a heat-resistant sealer.

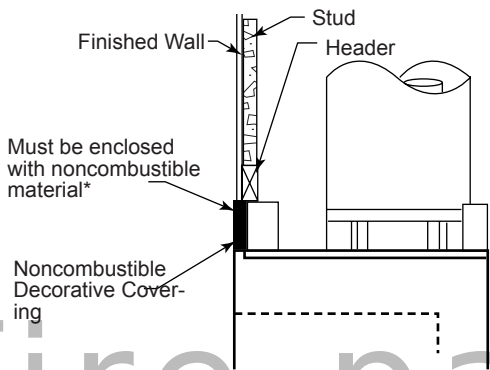
Prefabricated self supporting surround kits may be used with the fireplace. Sealing above the fireplace opening must be done using mortar, insulation, or other sealant rates at 4000°F. or higher.

Wall Treatments

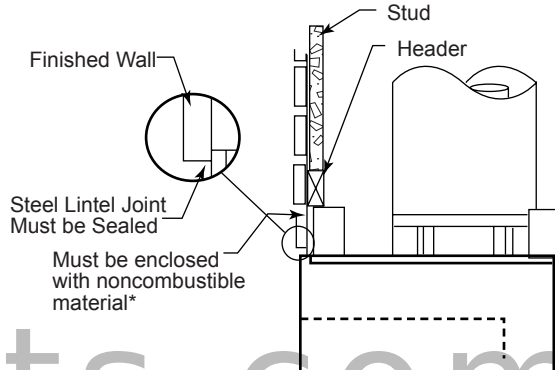
Louvred Models: Noncombustible decorative facing materials may cover the black face up to the louvred air inlets and outlets. Louvres above and below the screened opening and air inlets behind the screened opening must not be blocked.

Flush Face Models: Noncombustible decorative facing materials may cover the black face up to the screened opening except for the air inlets below the opening on 39" and 42" models. Air inlets below and behind the screened opening must not be blocked.

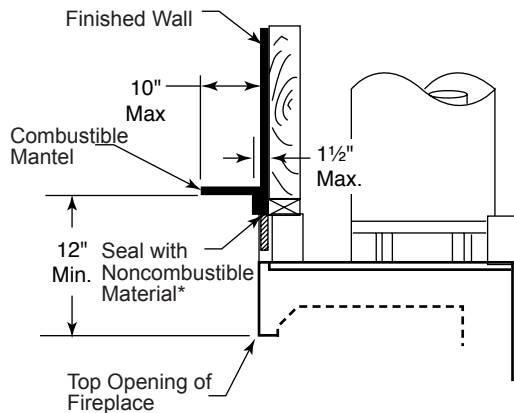
A. Wallboard with Marble, Slate or Tile Facing



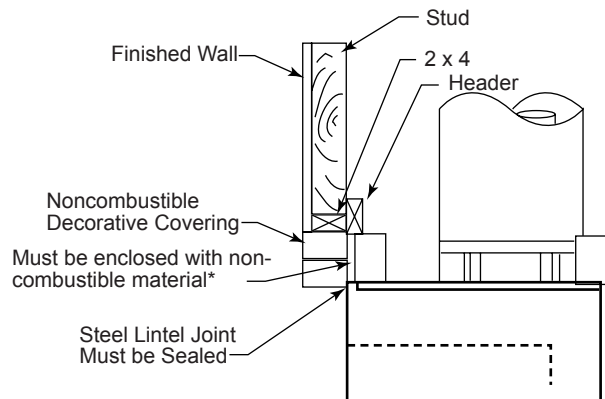
B. Brick or Stone Facing



C. Wall and Facing Are Flush Combustible Mantel Height



D. Wall and Facing Are Not Flush



*Noncombustible material must enclose space between top of standoff and top of fireplace front. Examples of noncombustible materials are:

*Noncombustible Materials

- US Gypsum Sheetrock Firecode "C"
- US Gypsum Micore MC180 to MC300
- Johns-Manville Cera Form Board
- Conwed Corp. Conwed Spec 300
- Other inorganic materials

Fig. 16 Wall treatment options.

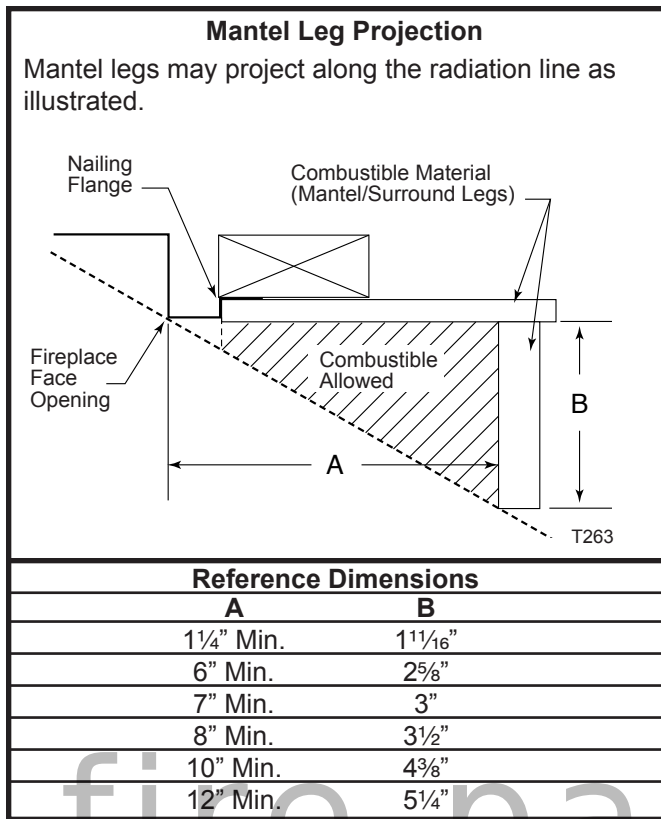


Fig. 17 Mantel leg minimum installation.

NOTE: When installing the hearth extension, a protective metal safety strip is not required below the front face of the fireplace and mating edge of the hearth extension if the following steps are taken:

1. The pre-fabricated hearth extension (or site built) must be secured to the floor of the home to prevent shifting. Various methods of attachment may be used including screws, nails, or common construction adhesives.
2. After the fireplace and hearth extension have been secured, the gap between the fireplace and hearth extension must be filled or sealed with a non-combustible grout, caulk, or sealant.

(OR)

If a protective metal strip is used under the space between the fireplace and hearth extension, sealing of the gap between the fireplace and hearth extension is optional.

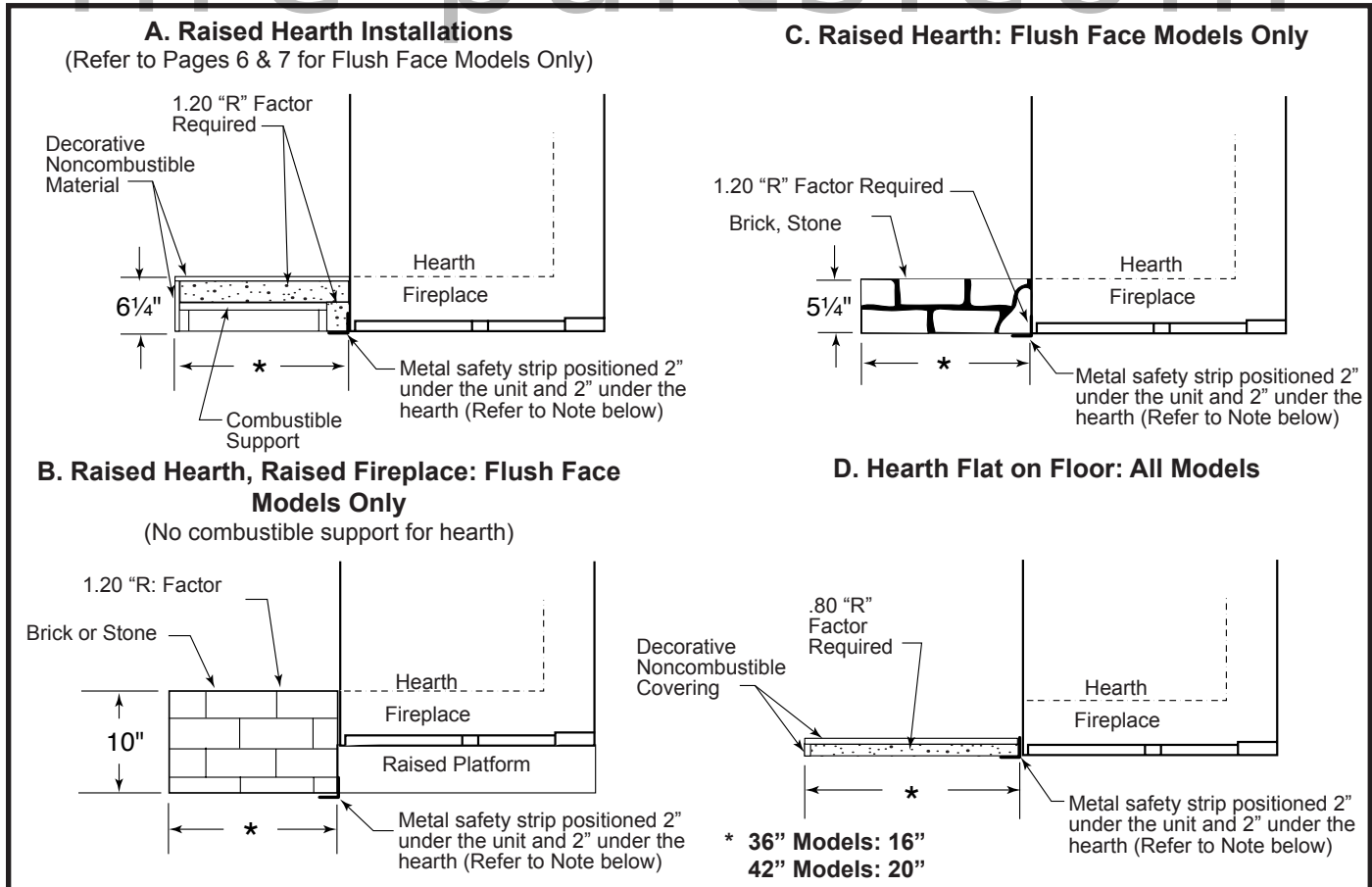


Fig. 18 Hearth installation.

Using Your Fireplace

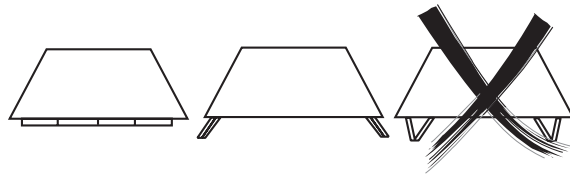
1. Open the firescreen by grasping the handles and pushing them back to each side.
2. The flue damper rod is located behind the mesh screens. To open the damper, slide the rod to the right. To close, slide the rod to the left.
3. If the combustion air kit has been installed, the inlet air damper should be in a fully open position before you start a fire. Reach behind the screen and release the control rod on the front of the left side of the firebox. To open, turn the control until it is pointing down. To close the damper, rotate the control rod counterclockwise until it is pointing to the three o'clock position. The control rod will lock in the closed position and swing free in the open position.
4. A MHSC fireplace grate must be used in this fireplace. It is pre-installed at the factory as an integral part of the fireplace.
5. Light a piece of crumpled paper and hold it high inside the fireplace. This will warm the flue and start the chimney "drawing".
6. Light the paper in the grate and add kindling. As the kindling catches, add more or heavier wood until the fire is well established. Be careful not to "smother" the fire.
7. **WARNING: NEVER USE GASOLINE, GASOLINE-TYPE LANTERN FUEL, KEROSENE, CHARCOAL LIGHTER FLUID OR SIMILAR LIQUIDS TO START OR FRESHEN UP A FIRE IN THIS FIREPLACE. KEEP ALL SUCH LIQUIDS WELL AWAY FROM THE FIREPLACE WHILE IT IS IN USE.**
8. Close the right firescreen first and then the left firescreen, being sure they overlap. Keep the firescreens closed at all times except when adding fuel.
9. Ashes that build up from burning logs must be removed periodically to allow space for air to move under and up through the fuel for combustion. If these ashes are allowed to accumulate until the air flow is blocked, the grate may become badly warped from excessive heat.
10. A fireplace needs a steady supply of air in order to draw properly. Many houses or apartments which are well sealed lack sufficient air for normal operation. Ventilating fans, exhaust hoods or central heating systems often cause fireplaces to smoke by stealing the fireplace's combustion air. If the volume is enough, it can reverse the flow of air in the fireplace and cause smoking.
11. **Use solid wood for fuel. Use dry and well seasoned wood. Do not burn scrap construction lumber; it produces excessive sparks. Never use woods dipped in tar, pitch, creosote, etc. as this produces sputtering, smoking fires with toxic fumes. Do not use wood products with synthetic binders like plywood or artificial logs as these produce abnormally high temperatures and may cause deterioration of chimney material.**
12. **DO NOT OVER-FIRE WITH EXCESSIVE FUEL LOADS SUCH AS LUMBER, WRAPPING PAPER, CHRISTMAS TREES, ETC. THE FIREPLACE IS OVER-FIRED IF THE TOP OF THE FLAMES ARE GOING UP INTO THE CHIMNEY OR LICKING OUT OF THE FIREBOX.**
OVER-FIRING WITH THE GLASS DOORS IN THE CLOSED POSITION CAN CAUSE THE GLASS TO SHATTER RESULTING IN PROPERTY DAMAGE AND/OR PERSONAL INJURY. MHSC DOES NOT WARRANT THE GLASS AND IS NOT RESPONSIBLE FOR CONSEQUENTIAL PROPERTY DAMAGE AS STATED IN THE SEPARATE GLASS DOOR WARRANTY.
13. **Creosote Formation and Need for Removal:** When wood is burned slowly, it produces tar and other organic vapors which combine with expelled moisture to form creosote. The creosote vapors condense in the relatively cool chimney flue of a slow-burning fire. As a result, creosote residue accumulates on the flue lining. If ignited, this creosote makes an extremely hot fire. The chimney should be inspected at least twice a year during the heating season to determine if a creosote buildup has occurred. If creosote has accumulated, it should be removed to reduce the risk of a chimney fire.
14. **CHARCOAL AND COAL MAY NOT BE BURNED IN THIS FIREPLACE.**
15. **NEVER CLOSE ANY DAMPERS UNTIL YOU ARE CERTAIN THERE ARE NO WARM EMBERS.**
16. When the fire has gone completely out, close all dampers. This will prevent excessive heat loss up the chimney and excessive water on the hearth. If a combustion air kit is installed, close the inlet air damper.
17. The brick-like refractory on the floor, back and sides is reinforced with steel but can be cracked and broken. Don't drop logs or build fires directly against refractories. A careful "burn-in" of your fireplace is recommended during initial use. For the first few fires, build modest fires. This will cure the refractories properly. Hairline cracks may appear in the refractories but do no harm to their performance.
18. It is important for the chimney to be high enough to draw properly. The chimney should extend 3' above the highest point where it passes through the roof and 2' above any portion of the roof horizontally within 10'. Refer to Pages 10 and 11.
19. **Disposal of Ashes:** Ashes should be placed in a metal container with a tight fitting lid. The closed

container of ashes should be placed on a noncombustible floor or on the ground, well away from all combustible materials, pending final disposal. If the ashes are disposed of by burial in soil or otherwise locally dispersed, they should be retained in the closed container until all cinders have thoroughly cooled.

20. WARNING: Any accessory component(s) used with this fireplace other than those specified, must be listed or approved by a nationally recognized certification agency for the application and be installed and used in accordance with the accessory manufacturer's instructions and local codes.

21. Access to chimney for cleaning: To remove the termination cap, remove the three #10A x 7 hex-head screws from the termination brackets. Grasp the skirt with one hand on each side and pull up. To replace the cap, reposition the termination cap on the chimney pipe and align the termination brackets with the holes in the pipe. Securely attach the termination cap to the chimney with the three screws removed earlier.

22. WARNING: FIREPLACES EQUIPPED WITH DOORS SHOULD BE OPERATED ONLY WITH DOORS FULLY OPEN OR DOORS FULLY CLOSED. IF DOORS ARE LEFT PARTLY OPEN, GAS AND FLAME MAY BE DRAWN OUT OF THE FIREPLACE OPENING, CREATING RISKS OF BOTH FIRE AND SMOKE.



23. Keep all combustibles such as furniture, draperies, papers and stored wood away from the front of the fireplace.

fire-parts.com

TFC36-3M, TLC36-3MB, TLC36-3MBE, TLC42-4MB

Woodburning Series

Ref.	Description	TLC42	TFC/TLC
1.	Firescreen Rod, Straight (2 per fireplace)	65864	65648
2.	Screws for Screen Rods (2)	68188	68188
3.	Firescreen w/Rings (2)	62197	66146
4.	Screen Retainer (4)	62222	62222
5.	Refractory Retainer, Right Side	70358	68316
6.	Refractory Retainer, Left Side	70358	68339
7.	Refractory Retainer, Front	--	68372
8.	Screws for Refractory Retainers (2)	68188	68188
9.	Right Side Refractory	70355	68337
10.	Left Side Refractory	70355	68338
11.	Back Refractory	70357	66993
12.	Bottom Refractory	70354	68336
13.	Integral Grate	70361	68373
14.	Grate Retaining Bracket (2)	66130	66130
Glass Door Replacement Parts			
15.	Handles (2)	67987	67987
16.	Door Guide	68344	68344
17.	Spring Push	69891	69891
18.	Spring Clip (2)	62216	62216
19.	Screw #10A x 1/2" (6)	49007	49007
20.	Screw #12A x 1/2" (6)	66365	66365

fire-parts.com

Customer Copy

To register your warranty, please provide the information indicated on this form and mail to:

MHSC
149 Cleveland Drive
Paris, KY 40361

Installer's Signature _____

Print Installer's Name _____

Purchaser _____
Address _____

Phone _____
Retailer _____
Address _____

Phone _____
Date of Purchase _____

WARRANTY REGISTRATION

Please answer the following questions (Check Box):

1. Type of Home Single Family Duplex Apt.
 Mobile Home Cabin/Vacation
2. Installed in(Room) Living Family Great Rec
 Bedroom Other
3. Other Choices Considered: Vented Decorative Gas Log/Fireplace Gas Insert Woodburning Insert
 Direct-Vent Gas Fireplace/Logs Vent-Free Gas Fireplace
4. Why did you choose Woodburning? (Rank in order of importance: 1-6)
____ Appearance ____ Location Flexibility
____ Builder Decided



Please cut along dotted line

To register your warranty, please provide the information indicated on this form and mail it to:

MHSC
149 Cleveland Drive
Paris, KY 40361

Model # _____

Serial # _____

Purchaser _____
Address _____

Phone _____
Retailer _____
Address _____

Phone _____
Date of Purchase _____

WARRANTY REGISTRATION

Please answer the following questions (Check Box):

1. Type of Home Single Family Duplex Apt.
 Mobile Home Cabin/Vacation
2. Installed in(Room) Living Family Great Rec
 Bedroom Other
3. Other Choices Considered: Vented Decorative Gas Log/Fireplace Gas Insert Woodburning Insert
 Direct-Vent Gas Fireplace/Logs Vent-Free Gas Fireplace
4. Why did you choose Woodburning? (Rank in order of importance: 1-6)
____ Appearance ____ Location Flexibility
____ Builder Decided

LIMITED WARRANTY AND EXCLUSIONS

For TEMCO Fireplace Products Low Profile, Front-Opening Wood Burning Fireplaces

This Limited Warranty covers the above described fireplace and chimney systems. Accessories such as glass doors, combustion air kits and fans are covered in separate warranties.

The First Year of Coverage

During the first year after installation, MHSC will at its option repair or replace any defective part of the fireplace or chimney system or refund to the original owner a sum of money not to exceed the suggested retail price of the system at the time of purchase. The date of installation must be verified by acceptable proof of purchase, canceled check or recorded and dated deed to the property where the system is installed.

The Second Through Fifth Years of Coverage

From the second through the fifth year after installation, MHSC will make available to the original owner, at no charge, at its factory a replacement for any defective part in the fireplace or chimney system except for refractories or grates. Defective refractories and grates can be replaced by the original owner at MHSC factory at fifty percent (50%) of the current list price from the second through the fifth years after installation.

The Sixth Through the Tenth Years of Coverage

From the sixth through the tenth years after installation, MHSC will make available to the original owner at fifty percent (50%) of the current suggested list price at its factory a replacement for any defective part in the fireplace or chimney system except for refractories and grates which may be replaced at full list price. Some states do not allow limitations on how long an implied warranty lasts so the above limitations may not apply to all consumers.

What is Not Covered

This warranty does not cover any cost or expenses not herein set forth as being the responsibility of MHSC and specifically does not cover the following:

- Anyone other than the original owner.
- Shipping costs after the first year of coverage.
- Labor after the first year of coverage.
- Damage caused by improper installation, misuse, abuse or alteration of the fireplace or chimney system.
- Cracks in refractories that do not affect safe operation.
- Any work done or cost incurred without written con-

sent from MHSC.

- Installation performed by unlicensed or unqualified agent per NFPA 211.

Limitations and Exclusions

1. MHSC authorizes no one to add to or alter this Limited Warranty.
2. MHSC is not liable for incidental, consequential, special or contingent damages. Some states do not allow exclusion or limitation of incidental or consequential damages, so the above limitation or exclusion may not apply to all consumers.
3. This Limited Warranty applies only to the original owner of the fireplace and chimney system with the model number described above or the original owner of the dwelling in which one of the above described fireplace and chimney systems is installed.
4. Removal of fireplace from original installation site voids warranty.
5. MHSC reserves the right to investigate any or all claims against this warranty.

Owner's Duties

The fireplace and chimney to which this Limited Warranty applies must be installed and used in strict compliance with **TEMCO Fireplace Products** installation manual. Failure to do so will void this warranty. If you have a problem with your fireplace, first consult the installation manual to insure that your system has been properly installed and is being used in accordance with the manual. After doing so, if you still have a problem, contact the nearest MHSC dealer or distributor. If necessary, you may find out the name of your nearest dealer or distributor by writing MHSC and requesting such information. Upon notification of your problem, a representative of the dealer or distributor will inspect your fireplace. A determination will be made whether or not your problem is covered under this Limited Warranty, and you will be contacted.

This Limited Warranty is given in lieu of any other expressed or implied warranties.

ONE YEAR LIMITED WARRANTY AND EXCLUSIONS

MHSC warrants to the original purchaser that its blower is free from defects in material or workmanship for a period of one (1) year from the date of original purchase. This warranty is a limited warranty only and subject to all of the terms and conditions set forth below.

TERMS AND CONDITIONS OF ONE YEAR LIMITED WARRANTY

If the original purchaser of a TEMCO Fireplace Products Blower Kit believes that a part of the blower has failed during the period of one (1) year from the date of purchase due to a defect in material or workmanship, he should promptly return the part to the nearest TEMCO dealer or distributor with proof of purchase date. If the original purchaser is unsure where the nearest dealer or distributor is located, then the purchaser should write, MHSC, Warranty Division. If the TEMCO dealer or distributor is not able to resolve any claim under this warranty, then the purchaser shall direct the dealer or distributor to ship said part to MHSC. All transportation costs must be paid by the purchaser both to and from the dealer, distributor or MHSC and shipment from the dealer or distributor must be FOB MHSC. Proof of purchase date must accompany any such part delivered or shipped to the dealer, distributor or MHSC. Acceptance of any part shipped or delivered to any dealer, distributor or MHSC shall not be construed or deemed as an admission of any defect.

Within a reasonable time from date of receipt of any part believed to be defective and proof of date of purchase, MHSC shall inspect said part, and, if it should appear, in MHSC's sole judgement, that the part has failed during the period of one (1) year from date of original purchase due to a defect in material or workmanship, MHSC will, at its option, either repair or replace the part at no cost to purchaser; however, any labor or other charges incurred in the removal or replacement of the part, as well as any delivery or shipping charge, will be the sole responsibility of purchaser.

This warranty is not transferable in any manner by the original purchaser and is effective only if the part of TEMCO'S blower is accompanied by proof of purchase within one (1) year of the date that a claim is made under this warranty.

LIMITATIONS

- A. This warranty expires upon transfer of the blower or any part from the original purchaser to any other person or upon the expiration of one year from the date of original purchase, whichever occurs first.
- B. MHSC makes no warranty and assumes no responsibility whatsoever as to parts or accessories not manufactured by MHSC, but you may have rights against the manufacturers of such parts and accessories under their warranties or the law of your jurisdiction. MHSC specifically makes no other warranties than contained herein and makes no representations, representations and accepts no responsibility for the performance of any product which the blower assembly might be used with or attached to other than the fireplace model for which the blower is designed.
- C. THIS WARRANTY IS EXPRESSLY IN LIEU OF ALL OTHER WARRANTIES, EXPRESSED OR IMPLIED, INCLUDING THE WARRANTY OF MERCHANTABILITY AND FITNESS FOR A PARTICULAR PURPOSE. NO PERSON IS AUTHORIZED BY US TO MAKE ADDITIONAL OR DIFFERENT WARRANTIES AND THE PURCHASER ACKNOWLEDGES THAT NO OTHER REPRESENTATIONS WERE MADE TO HIM OR RELIED UPON BY HIM WITH RESPECT TO THE WARRANTY APPLICABLE TO THE PRODUCT. SOME STATES DO NOT ALLOW THE EXCLUSION OF IMPLIED WARRANTY SO THE ABOVE EXCLUSION MAY NOT APPLY TO YOU.
- D. MHSC accepts no responsibility for damages or expenses resulting from the failure to observe installation and operating instructions; in any case where the blower has been tampered with or altered in any fashion, or where, in the sole judgement of MHSC, the blower has been damaged, misused or used in a negligent manner.

This warranty gives you specific legal rights and you may also have other rights which vary from state to state.

fire-parts.com

 <p>NATIONAL FIREPLACE INSTITUTE NFI CERTIFIED www.nficertified.org</p>	<p>We recommend that our woodburning hearth products be installed and serviced by professionals who are certified in the U.S. by the National Fireplace Institute® (NFI) as NFI Woodburning Specialists or who are certified in Canada by Wood Energy Technical Training (WETT).</p>  <p>Wood Energy Technical Training www.wettinc.ca</p>
---	---

MHSC

149 Cleveland Drive • Paris, Kentucky 40361
www.mhsc.com