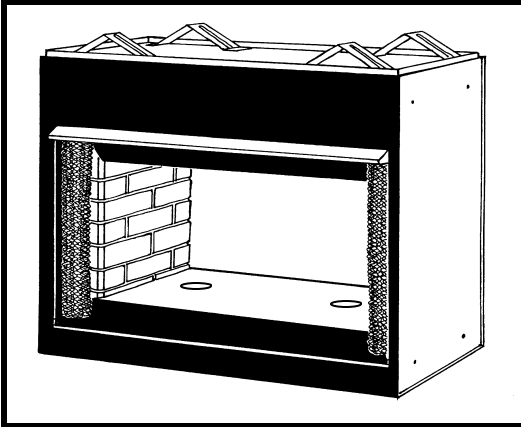
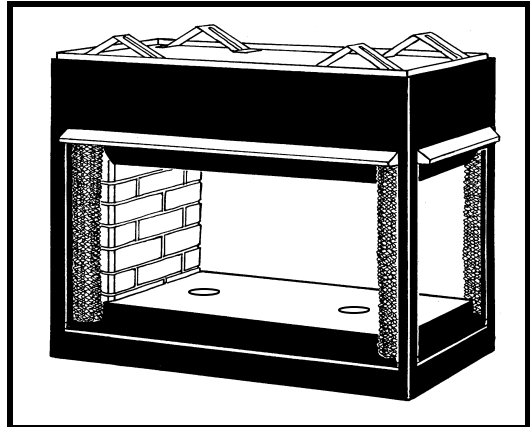


TEMCO Vent-Free Gas Fireplaces

Installation Manual for ADF36-ST and ADF36-PN Fireplaces



See-Through Gas Fireplaces
ADF36-ST



Peninsula Gas Fireplaces
ADF36-PN

UNIVERSALLY LISTED FOR USE WITH ANY LISTED 40,000 BTU/HR LP OR NAT GAS LOG APPLIANCE.

FOR USE ONLY WITH
DECORATIVE TYPE
UNVENTED ROOM
HEATERS

Carefully review the instructions supplied with the decorative type unvented room heater for the minimum fireplace size requirement.

DO NOT INSTALL THE APPLIANCE IN THIS FIREBOX, UNLESS THIS FIREBOX MEETS THE MINIMUM DIMENSIONS REQUIRED

WARNING

If the information in this manual is not followed exactly, a fire or explosion may result

FOR YOUR SAFETY

- Do not store or use gasoline or other flammable vapors and liquids in the vicinity of this or any other appliance.
- Installation and service must be performed by a qualified gas installer, service agency or the gas supplier. Do not attempt to install this appliance yourself!

WHAT TO DO IF YOU SMELL GAS

- Do not light any appliance.
- Do not touch any electric switch; do not use any phone in your building.
- Immediately call your gas supplier from a neighbor's phone. Follow the gas supplier's instructions.



TEMCO
FIREPLACE PRODUCTS

P.O. BOX 1349 Manchester, TN 37349
P.O. Box 1148 Perris, CA 92572
A subsidiary of Temtex Industries, Inc.
REV 9/9/02 10:05 AM 71875K

CONTENTS

Important Information	Page 3
Planning Ahead	3
Location.....	3
Drafts	4
Firebox clearances	4
Installation	
Framing the firebox	5
Installing, leveling & securing the firebox	5
Finishing the fireplace	6
Cleaning & Servicing	7
Replacement Parts	7
Warranty Information	8
Installation and Startup Checklist	9,10
Warranty Registration	11

This book contains your installation instructions and should be kept in a safe place by the homeowner after installation is complete. For you to realize all the advantages and use of the reliable service that has been engineered into your TEMCO fireplace, you must carefully follow all of the instructions contained in this book regarding installation and operation of the fireplace.

These instructions should be read carefully in their entirety before beginning installation of the fireplace.

It is suggested that you wear work gloves and safety glasses to protect your hands and eyes when installing/servicing your fireplace.

No outside air kit is required inside firebox area. Refer to the log-set manual for combustion air requirements.

NOTE: Authorities having jurisdiction (i.e. building inspectors, fire marshals, etc.) should be consulted before installation to determine the need to obtain a permit.

FAILURE TO FOLLOW THESE INSTRUCTIONS WILL VOID YOUR WARRANTY AND MAY PRESENT A FIRE HAZARD.

IMPORTANT INFORMATION

INSTALLER: Please leave these instructions with the owner.

OWNER: Please retain these instructions for future reference.

IMPORTANT: READ THESE INSTRUCTIONS CAREFULLY BEFORE INSTALLING.

WARNING: ANY CHANGE TO THIS FIREPLACE OR ITS CONTROLS CAN BE DANGEROUS.

- Due to high temperatures, the fireplace should be located out of traffic and away from furniture and draperies.
- Installation and repair should be done by a qualified service person or gas fireplace installer.
- The fireplace area must be kept clear and free from combustible materials, gasoline and other flammable vapors and liquids.
- The fireplace must be inspected and cleaned before use and at least annually by a professional service person. More frequent cleaning may be required due to excessive lint from carpeting, bedding material, dust, pet hair, etc. It is important that control compartment, burners, and circulating air passageways of the fireplace be kept clear.
- Young children should be carefully supervised when they are in the same room as the fireplace.
- Children and adults should be alerted to the hazard of high surface temperatures and should stay away to avoid burns or clothing ignition.
- **DO NOT place clothing or other flammable material on or near the fireplace.**
- The fireplace design permits installation and framing adjacent to combustible materials at the specified minimum distance. Do not set the fireplace on vinyl flooring or carpets. **COMBUSTIBLE MATERIALS MAY NOT BE PLACED ON THE BLACK FACE SURROUNDING THE FIREPLACE.**
- **The minimum distance from the fireplace to adjacent combustible walls is 2".**
- A gas inlet is provided on the right and left side, but the installer may pipe to the gas valve in any convenient fashion.
- Check local, state or city codes to determine if unvented heaters are permitted.

- The installation must conform with local codes or, in the absence of local codes, with the NATIONAL FUEL GAS CODE, ANSI Z223, latest edition.
- **DO NOT** use this heater in recreational vehicles.
- This heater shall not be installed in a confined space unless provisions are made for adequate combustion and ventilation air. See 'Provisions for Adequate Combustion and Ventilation Air' in the log set manual.
- Provide adequate clearances around air openings into the combustion chamber and adequate accessibility clearance for servicing and proper operation. Never obstruct the front opening of the fireplace.
- Any safety screen or guard removed for servicing the fireplace must be replaced prior to operating the fireplace.
- This fireplace may be installed in an after-market* manufactured "mobile" home where not prohibited by state or local codes.
- ? ***After-market:** Completion of sale, not for purpose of re-sale from the manufacturer.
- **DO NOT INSTALL GLASS DOORS ON THIS FIREPLACE.**
- No outside combustion air kit is to be installed on this fireplace.

WARNING: If the area in which the fireplace may be operated is smaller than that defined as an unconfined space, provide adequate combustion and ventilation air by one of the methods described in the National Fuel Gas code, ANSI Z223.1, 1992, Section 5.3.

WARNING: Do not allow fans to blow directly into the fireplace. Avoid any drafts that alter burner flame patterns.

WARNING: Do not use a blower insert, heat exchanger insert or other accessory not approved for use with this fireplace.

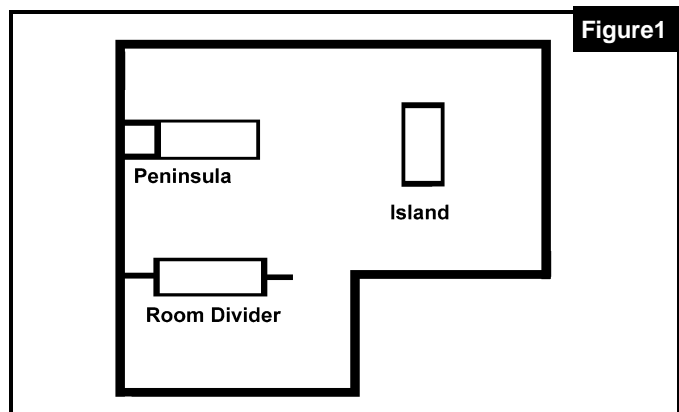
WARNING: During manufacturing, fabricating and shipping, various components of this appliance are treated with certain oils, films or bonding agents. These chemicals are not harmful but may produce annoying smoke and smells as they are burned off during the initial operation of the appliance, possibly causing headaches and eye/lung irritation. This is a normal and temporary occurrence.

PLANNING AHEAD

CHOOSING THE LOCATION FOR YOUR FIREPLACE

Figure 1 shows some of the many ways your fireplace may be installed. Consider traffic patterns in your room and the location of doors and windows. Moving air from ceiling fans, open doors and hot air grills may cause the flames to soot. If a disturbance is found that effects the flames, it must be eliminated by turning off the ceiling fan, closing the door or closing/moving the hot air register.

Your fireplace weighs no more than some of your fine furniture. If the fireplace is located near a load bearing wall, additional supports to the foundation will not be necessary. Heavy facings such as brick, stone, etc., may require additional foundation support. Although this unit may be installed over combustible surfaces, it must not be installed on carpet or vinyl.



DRAFTS

The location for the fireplace should be away from objects that will create drafts and possibly hamper the normal flow of air into the fire. Such objects are frequently opened doors, ceiling fans and central heat air outlets and inlets.

GAS LINE

The gas line must be installed by a licensed gas installer before the fireplace is framed in.

FIREPLACE CLEARANCES

The fireplace may be placed directly on a combustible floor, against a combustible wall at marked clearances or on a raised wooden platform.

If the fireplace is to be installed on a raised wooden platform, the platform must be a continuous level surface.

The fireplace must be secured in place so it cannot shift positions. The nailing flanges on the sides of the firebox make securing it to the framing easy. They were designed to allow the installation of 1/2" wallboard or plywood flush with the face of the fireplace.

Only the header, (see figure 4), may rest on the standoffs on top of the firebox.

When the fireplace is installed over carpeting, vinyl tile or any combustible material other than wood flooring, it must be installed on a metal or wood panel extending its full width and depth. Alternatively the carpeting, vinyl tile, etc., may be removed beneath the fireplace before installing.

COMBUSTIBLE MATERIALS MUST NOT BE INSTALLED OVER OR TOUCH ANY BLACK PAINTED SURFACE.

DO NOT BLOCK AIR OUTLETS AT SIDES OF FIREBOX OPENING. DOING SO MAY RESULT IN A POTENTIAL FIRE HAZARD.

The framing must rest on top of the standoffs.

- 1. Sidewall Clearance:** the clearance from the side of the fireplace opening to any combustible wall should not be less than 2". (see figure 2).
- 2. Ceiling Clearance:** the ceiling height should not be less than 42" from the top of the fireplace opening.
- 3. Floor Clearance:** is 0" to a noncombustible floor and must not be set on carpet or vinyl floor covering.

Figure 2

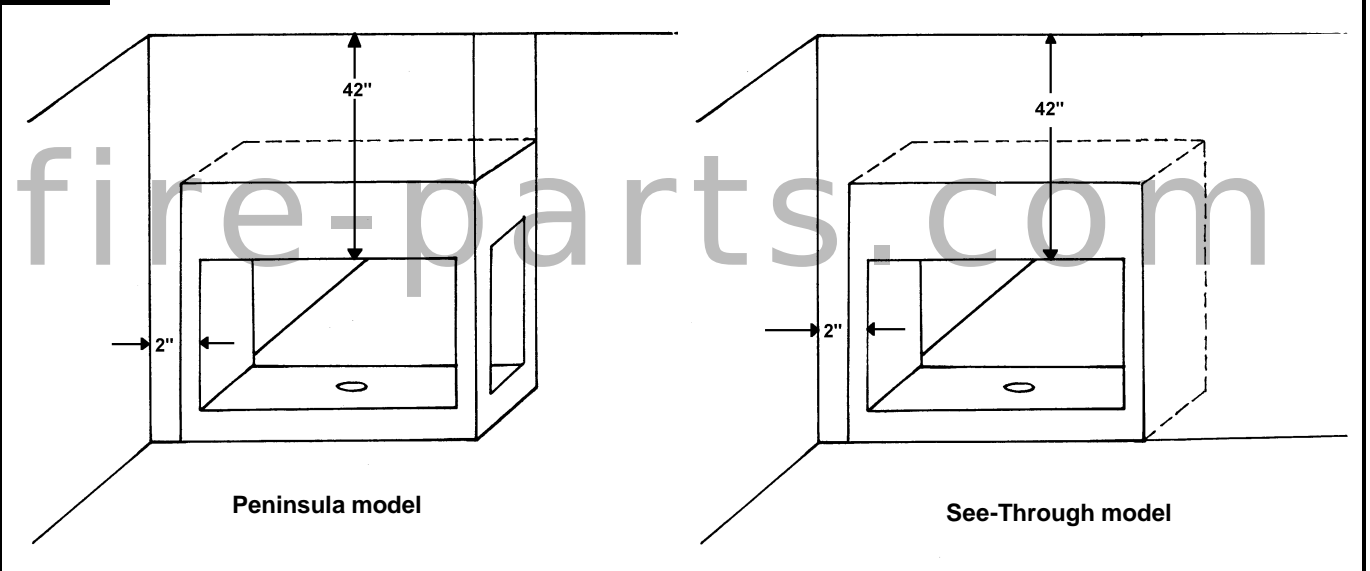
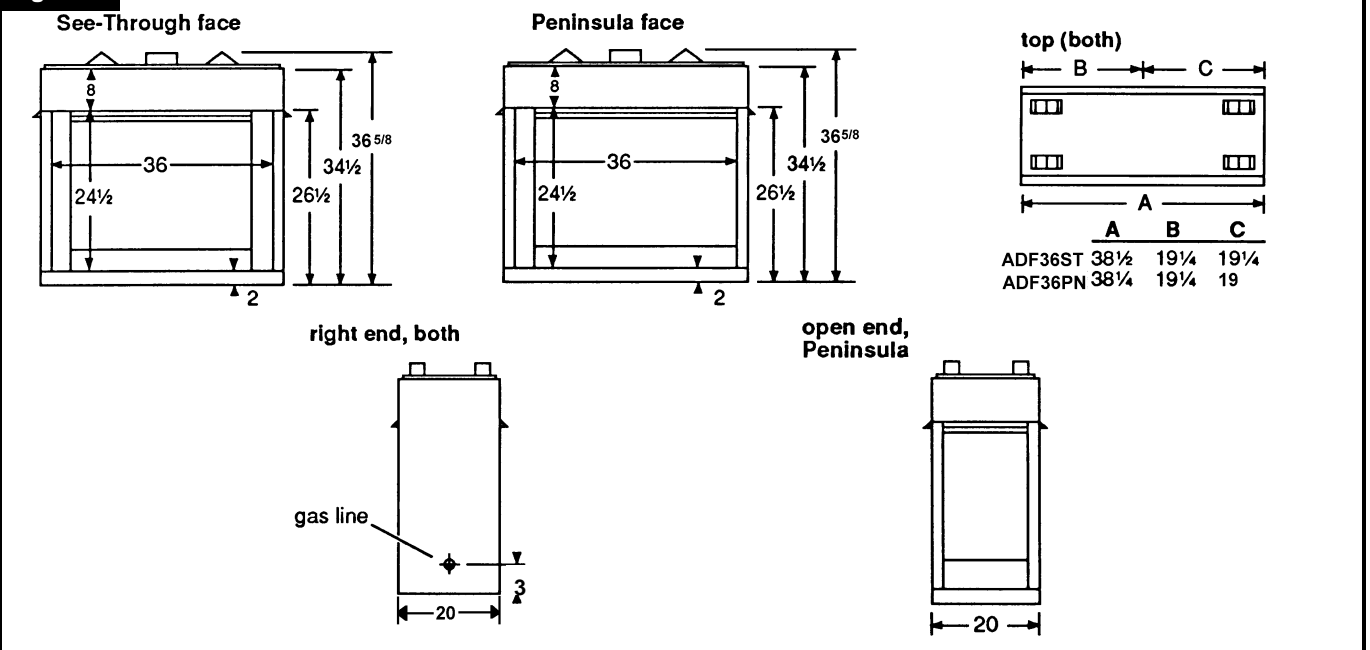


Figure 3 Fireplace Dimensions (ins.)



INSTALLING THE FIREBOX

This list of specific instructions will help you make certain that every installation operation is done correctly. Complete the installation steps in the sequence shown. Local building codes should be consulted in all cases as to the particular requirements concerning the installation of factory built vent-free fireplaces. Select the location for the fireplace by taking into consideration the factors previously outlined in the *Planning Ahead* section of the manual and framing dimensions in figure 4.

STEP 1. FRAMING THE FIREBOX

When framing the opening for the fireplace, make certain that the header is the correct distance above the surface upon which the fireplace will sit. The header must be level and located on or above the standoffs. The header and framing may be installed as shown in figure 4 according to the installer's preference. The width of the framed opening must be no less than the dimensions shown in figure 4. The entire fireplace can be elevated above the floor to achieve a raised hearth. This can be done by adding a properly sized platform to achieve the desired height.

STEP 2. INSTALL THE FIREBOX

Install the fireplace onto the framed opening by setting the unit directly in front of the opening and then sliding it into the proper position.

STEP 3. LEVEL THE FIREBOX

Check the level of the firebox by placing a level on the top edge of your fireplace face. Shim with sheet metal if necessary. **Do not use wooden shims.**

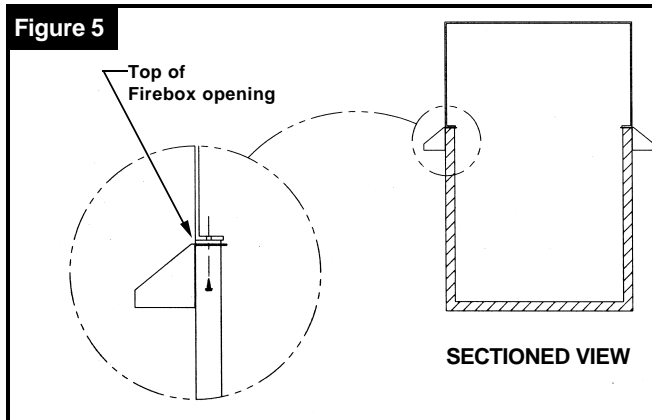
STEP 4. SECURE THE FIREBOX

Secure the fireplace to the framing. Nailing flanges on the firebox will make securing it quick and easy. Use appropriate size nails or screws to secure the firebox. **Refer to figure 4.**

STEP 5. INSTALLING THE CANOPY.

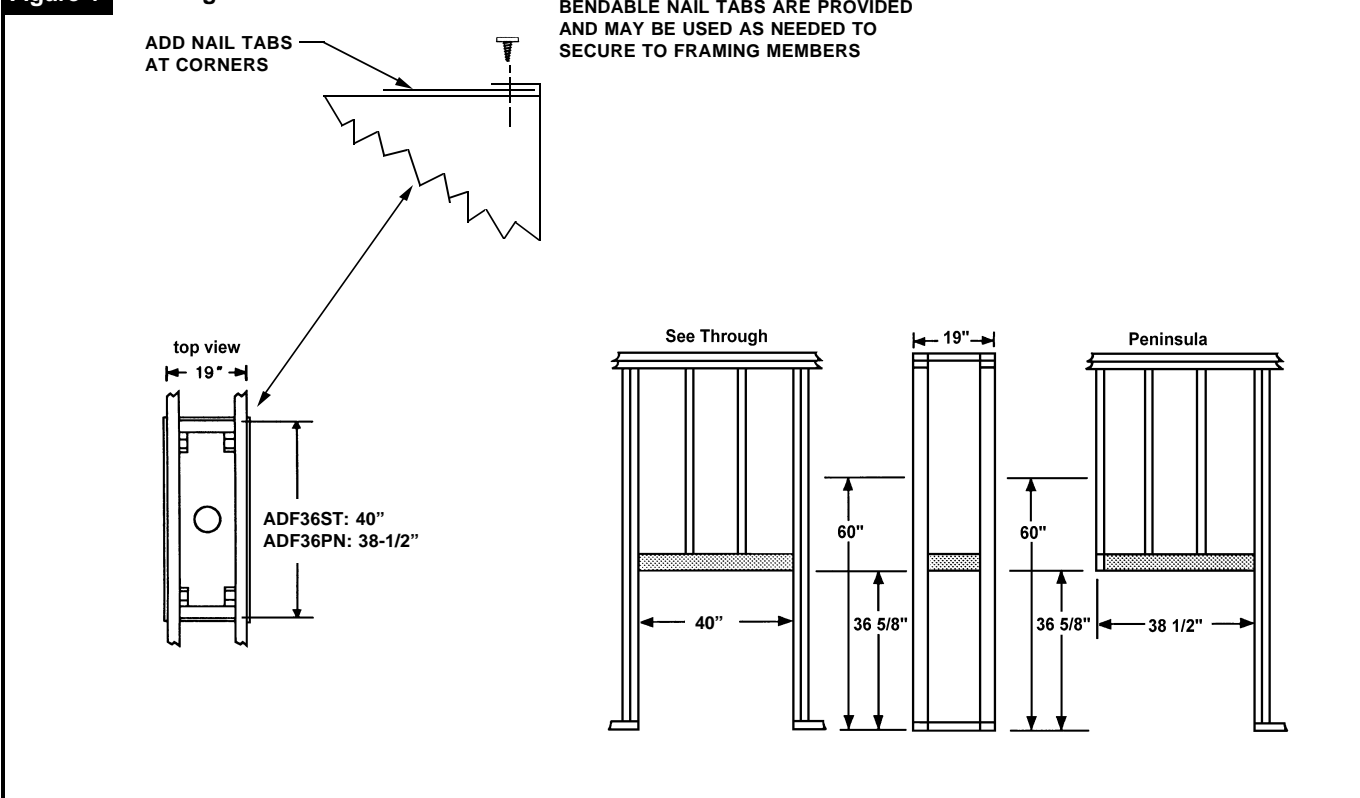
After installing the firebox. Remove canopies from inside firebox. Install canopies using the screws provided. (Two on see through fireplaces and Three on peninsula fireplaces)

NOTE: Canopies must be installed to maintain clearances to combustible framing and mantle.



ON PENINSULA UNITS. Fasten plumbers tape to the front standoff with at least two sheet metal screws across the width of the unit. The plumbers tape should be one piece and extend out from the sides of the unit at least six inches and be attached to the unit before it is put into position. When the unit is placed in position, the ends of the plumbers tape can be bent up tightly over the framing sides and screwed into position to the sides.

Figure 4 Framing dimensions



FINISHING YOUR FIREPLACE

A wide variety of finishing materials are available to finish your TEMCO fireplace from formal wall treatments with marble and mantels to rustic wood paneling, stone or brick.

Noncombustible facing material such as marble, brick or ceramic tile may overlap the black face of the fireplace up to the opening in either side of the fireplace.

Seal all joints between the black fireplace face and the wall covering with a heat-resistant material such as rock wool insulation or mortar. Be sure to use high temperature adhesive or mortar when attaching brick, stone, marble or tile to the face of the fireplace.

Check to see whether man-made brick and stone are made of noncombustible materials before using them on the face of the fireplace. Some of these products contain combustible materials.

Noncombustible decorative facing materials may cover the black painted metal faces of the fireplace.

Combustible wall coverings such as paneling or wallboard may not overlap the black face of the fireplace. The space between the wall covering and the fireplace should be sealed with a heat-resistant material such as rock wool insulation or mortar, (see figure 6 and 7).

MANTEL CLEARANCES: With the firebox installed, the lower edge of the mantel piece must not be less than 11" from the top edge of the fireplace opening. The mantel piece profile must fall within the cross-section shown in figure 6.

HEARTH EXTENSION: A hearth extension is not required for this fireplace. A hearth extension may be used

if desired for aesthetic purposes only.

WARNING: THESE VENT FREE FIREPLACES ARE NOT TO BE USED WITH GLASS DOORS.

Figure 6

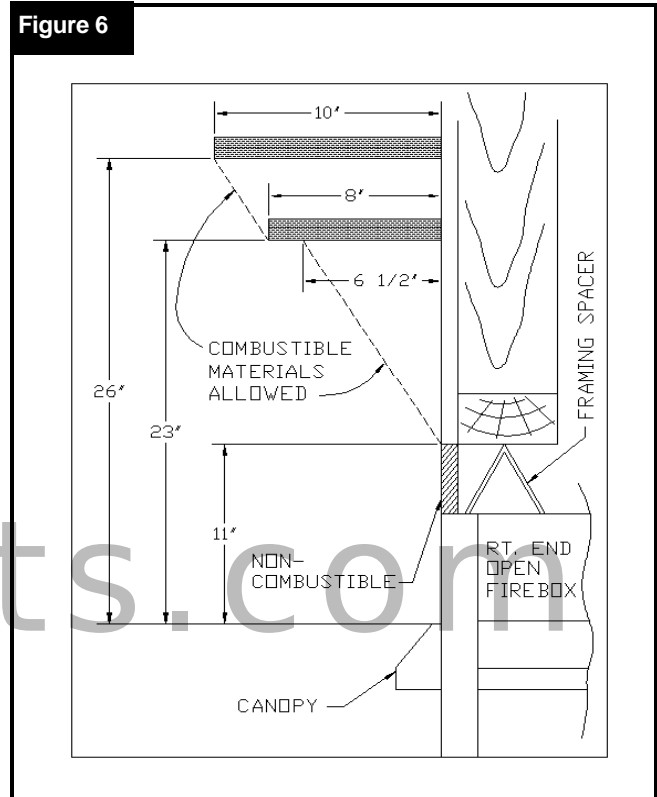
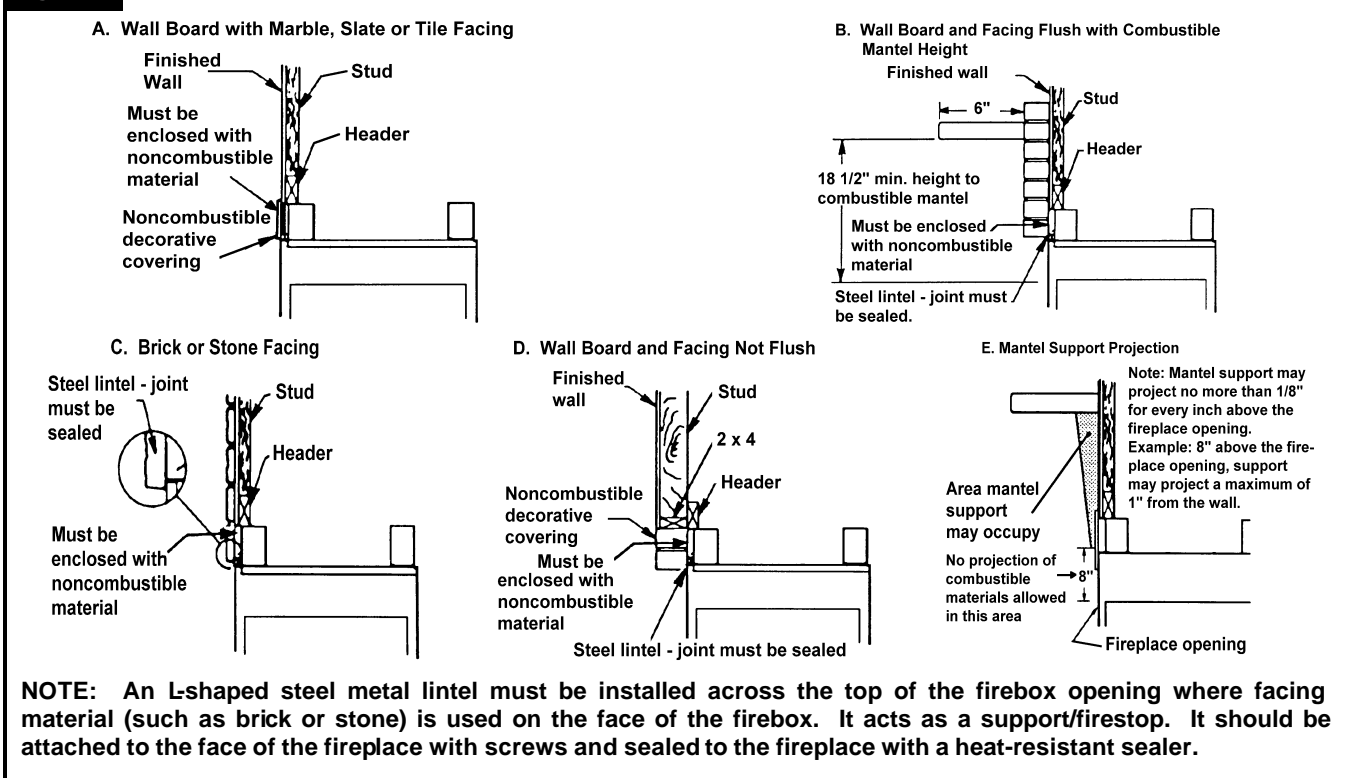


Figure 7



CLEANING

All cleaning should be carried out when the fireplace is cold. Only limited cleaning will be required under normal use. Dusting may be required occasionally and at least annually to avoid improper combustion and odors when the unit is in

operation.

Do not use any cleaning fluids to clean any part of the fireplace. Use only mild soap and water to clean the painted surface of the fireplace.

SERVICING

Repair and replacement work should only be done by a qualified service person.

Always shut off the gas supply and make sure the fireplace is cool before beginning any service operation.

Always check for gas leaks after servicing.

A list of available replacement parts follows. Always include the correct name, part number and model number of the fireplace when ordering service parts.

If you desire to communicate with the factory, write to:

TEMCO Fireplace Products
P.O. Box 1349, Manchester, TN 37349

or

TEMCO Fireplace Products
P.O. Box 1148, Perris, CA 92572

REPLACEMENT PARTS

Description	See-Through Models		Peninsula Models	
	Part #	Qty.	Part #	Qty.
Refractory, side.....	71694.....	2.....	71694.....	1.....
Refractory bracket (top).....	71695.....	2.....	71695.....	1.....
Refractory (bottom).....	71696.....	2.....	71696.....	1.....
Firescreen Assembly (side).....	72293.....	4.....	72293.....	4.....
Firescreen Assembly (end).....	-----	-----	69929.....	2.....
Screen Retainer.....	62222.....	8.....	62222.....	12.....
Canopy (side).....	69928B.....	2.....	69928B.....	2.....
Canopy (end).....	-----	-----	70091B.....	1.....

Limited Warranty

TEMCO Vent-Free Gas Fireplaces

This warranty is limited to **TEMCO** Vent-Free Gas Logs & Fireplaces (henceforth, Product) manufactured by **TEMCO Fireplace Products, Inc.** (henceforth, TEMCO).

ONE YEAR WARRANTY

TEMCO warrants all components of the Product to be free of defects in materials and workmanship for a period of one year from the date of installation, with the exception of the warranty on logs and ember base. If, by the sole determination of **TEMCO**, any component covered under this warranty is found to be defective, **TEMCO** will, at its option, repair or replace the defective component at no charge and will pay labor cost incurred as specified in the current **TEMCO** Labor Allowance Schedule, 71313. If **TEMCO** determines replacement or repair is not economically practical, **TEMCO** will, at its option, refund the purchase price of the Product. Date of installation and purchase price must be verified by acceptable proof of purchase prior to warranty action.

This warranty covers only parts and labor as provided above. In no case shall **TEMCO** be responsible for materials, components or construction which are not manufactured or supplied by **TEMCO**, or the labor necessary to install, repair or remove such materials, components or construction.

FIVE YEAR WARRANTY

TEMCO warrants the ceramic fiber and refractory components and burners originally packed with the product to be free of defects in material and workmanship for a period of five (5) years from the **date of installation**, with the exception of breakage. If any ceramic components or refractory components are broken, such breakage must be reported as a Warranty Claim at the time of installation. Breakage claims arising after the initial installation will not be covered under any part of this warranty. Periodic maintenance must have been performed.

QUALIFICATIONS

For the above warranties to apply:

The Product must be installed by a qualified installer; strictly in accordance with **TEMCO** installation instructions, and in compliance with local codes and ordinances. The logs must be placed strictly in accordance with the arrangement described in the installation instructions.

The Product must be operated and maintained according to the instructions furnished. **Alteration of the Product in any way is prohibited and voids any and all warranties. Removal of the data plate alters the Product and voids the warranty.**

The installer must have completed the Installation and Startup Checklist, a copy of which must be submitted along with proof of purchase, to obtain prior approval for warranty repair or replacement and to affect a warranty claim. The Checklist is found on pages 11 and 12 of this manual.

The limited warranty applies only to the original owner of the Product or the original owner of the dwelling in which the Product was installed. Use of any parts other than genuine factory provided replacement parts shall void this warranty.

Limitations

TEMCO is not responsible for any incidental or consequential damages caused by possible defects in the Product. The duration of any implied warranty with respect to the Product is limited to the duration of the foregoing warranties.

Some states and provinces do not allow exclusion of incidental or consequential damages or limits on the duration of implied warranties, so these limitations may not apply to you.

Warranty Fulfillment

Claims require specific agreement and consent from **TEMCO** Technical Services prior to performing any warranty repair or replacement. **TEMCO** reserves the right to investigate any and all warranty claims. The appliance must not be removed prior to such investigation other than on direction from **TEMCO**.

Please provide the following information when communicating with **TEMCO** Technical Services, its Dealers or Distributors regarding service under this warranty.

Model Number: _____ Serial Number: _____
Date of Installation: ____/____/____ Purchased From: _____

TEMCO reserves the right to decide on the method of settlement (if any). This limited warranty is given in lieu of any other expressed or implied warranty, and supersedes all other **TEMCO** Product warranties.

TEMCO GAS LOGS & FIREPLACES INSTALLATION AND STARTUP CHECKLIST

Customer Copy

NOTE: **TEMCO** gas logs and fireplaces require installation by a qualified gas appliance installer. A copy of this checklist must be submitted, along with proof of purchase, when applying to Technical Services for prior written approval of warranty repair or replacement.

All Vent-Free Gas Fireplaces and Logs

- Read and understand installation instructions before attempting installation.
- Assure that the model to be installed is of the CORRECT FUEL TYPE. Check markings on the shipping container (Model#s ending in "N" are natural gas products; model#s ending in "P" are LP gas products.), tags on the burner assembly, and color of the ODS safety pilot tube.

(Aluminum for natural gas; brass for LP gas)

Notes: REGULATORS ARE NOT FIELD-ADJUSTABLE. ANY ATTEMPT TO ADJUST VOIDS THIS WARRANTY.

- In order to ensure adequate combustion air, make sure that the model being installed has the appropriate heating capacity for the unconfined space available.** Allow a minimum of 50 cubic feet of unconfined space per 1000 BTU's for all gas appliances.
- Assure that gas line size is adequate for the model's input rating (BTU's per hour), the length of run from the meter or second stage regulator to the farthest gas appliance, and other gas appliances on the system. A drip leg or sediment trap is required. models require a minimum tank size of 120 gallons water capacity and two stage regulation.
- Assure that installation meets local codes and ordinances.
- Assure that there are no fans or blowers in the fireplace area.
- Check for leaks before lighting.
- Using a manometer, verify proper gas pressure at the manifold with unit at maximum setting and other appliances operating.**

inlet pressure: _____ (ins. wc) manifold pressure: _____ (ins. wc)

Verify proper ignition of ODS and front and rear burners, as well as proper appearance of flames.

- Verify that ceramic fiber and refractory components are properly positioned and secure.** (Rear burner must not contact logs.)
- Verify adequate clearance to mantels and other combustibles.
- Demonstrate correct operation of the product to the consumer. Note: LP models must not be operated if fuel tank is less than 1/4 full.
- Observe the consumer operating the product properly.
- Explain and demonstrate proper periodic maintenance.
- Explain that operation with logs positioned other than as described in the manual voids the warranty and will cause poor combustion and sooting.
- Verify the consumer's understanding that warranty service work that is not pre-approved by the manufacturer's Technical Service Department (other than routine maintenance) may not qualify for reimbursement.
- Answer any questions the consumer may have about **TEMCO** vent-free products.

Vent-Free Gas Logs Only

Verify that the fireplace in which the logs are to be installed is either a solid-fuel burning fireplace (either factory-built or masonry) with a working flue system connected to it or an approved vent-free firebox.

- Verify that the fireplace has been thoroughly cleaned by a professional chimney sweep. If solvents have been used to clean the hearth, they must be allowed to evaporate before proceeding with installation.
- Check firebox dimensions for adequate height, width, and depth.
- Verify that the grate assembly is attached to the firebox floor.
- Verify that any ash dump or outside air inlets are permanently sealed to avoid drafts within the firebox.
- Verify that no additional logs, ornaments, or non-approved blower devices have been added.
- Repair any broken or damaged logs prior to operation.
- Check mantel clearances and verify installation of canopy if necessary.
- Glass doors must be removed or opened completely during operation of logs.

Please sign below that checklist has been completed and understood. DATE INSTALLED ____/____/____

Installer

Phone

Consumer

Phone

TEMCO GAS LOGS & FIREPLACES INSTALLATION AND STARTUP CHECKLIST

Installer's Copy

NOTE: **TEMCO** gas logs and fireplaces require installation by a qualified gas appliance installer. A copy of this checklist must be submitted, along with proof of purchase, when applying to Technical Services for prior written approval of warranty repair or replacement.

All Vent-Free Gas Fireplaces and Logs

- Read and understand installation instructions before attempting installation.
- Assure that the model to be installed is of the CORRECT FUEL TYPE. Check markings on the shipping container (Model#s ending in "N" are natural gas products; model#s ending in "P" are LP gas products.), tags on the burner assembly, and color of the ODS safety pilot tube.

(Aluminum for natural gas; brass for LP gas)

Notes: REGULATORS ARE NOT FIELD-ADJUSTABLE. ANY ATTEMPT TO ADJUST VOIDS THIS WARRANTY.

- In order to ensure adequate combustion air, make sure that the model being installed has the appropriate heating capacity for the unconfined space available.** Allow a minimum of 50 cubic feet of unconfined space per 1000 BTU's for all gas appliances.
- Assure that gas line size is adequate for the model's input rating (BTU's per hour), the length of run from the meter or second stage regulator to the farthest gas appliance, and other gas appliances on the system. A drip leg or sediment trap is required. models require a minimum tank size of 120 gallons water capacity and two stage regulation.
- Assure that installation meets local codes and ordinances.
- Assure that there are no fans or blowers in the fireplace area.
- Check for leaks before lighting.
- Using a manometer, verify proper gas pressure at the manifold with unit at maximum setting and other appliances operating.**

LP

inlet pressure: _____ (ins. wc) manifold pressure: _____ (ins. wc)

Verify proper ignition of ODS and front and rear burners, as well as proper appearance of flames.

- Verify that ceramic fiber and refractory components are properly positioned and secure.** (Rear burner must not contact logs.)
- Verify adequate clearance to mantels and other combustibles.
- Demonstrate correct operation of the product to the consumer. Note: LP models must not be operated if fuel tank is less than 1/4 full.
- Observe the consumer operating the product properly.
- Explain and demonstrate proper periodic maintenance.
- Explain that operation with logs positioned other than as described in the manual voids the warranty and will cause poor combustion and sooting.
- Verify the consumer's understanding that warranty service work that is not pre-approved by the manufacturer's Technical Service Department (other than routine maintenance) may not qualify for reimbursement.
- Answer any questions the consumer may have about **TEMCO** vent-free products.

Vent-Free Gas Logs Only

- Verify that the fireplace in which the logs are to be installed is either a solid-fuel burning fireplace (either factory-built or masonry) with a working flue system connected to it or an approved vent-free firebox.
- Verify that the fireplace has been thoroughly cleaned by a professional chimney sweep. If solvents have been used to clean the hearth, they must be allowed to evaporate before proceeding with installation.
- Check firebox dimensions for adequate height, width, and depth.
- Verify that the grate assembly is attached to the firebox floor.
- Verify that any ash dump or outside air inlets are permanently sealed to avoid drafts within the firebox.
- Verify that no additional logs, ornaments, or non-approved blower devices have been added.
- Repair any broken or damaged logs prior to operation.
- Check mantel clearances and verify installation of canopy if necessary.
- Glass doors must be removed or opened completely during operation of logs.

Please sign below that checklist has been completed and understood. DATE INSTALLED _____/_____/_____

Installer

Phone

Consumer

Phone

CUSTOMER COPY

Model # _____ **Serial**
_____

I certify that I have followed all codes and regulations and adhered to the TEMCO installation instructions. I have completed the proper installation and startup checklist.

Installers Signature

Print Installer's Name

Purchaser _____
Address _____

Phone _____
Retailer _____
Address _____
Phone _____
Date of Purchase _____

WARRANTY REGISTRATION

Please Answer the Following Questions (Check Box):

1. Type of Home Single Family Duplex Apt. Mobile Home
 Cabin/Vacation
2. Installed in (Room) Living Family Great Rec Bedroom
 Other
3. Other Choices Considered Vented Decorative Gas Logs/Fireplace
 Woodburning Fireplace Gas Insert Woodburning Insert
 Direct-Vent gas Fireplace/Logs
4. Why Did You Choose Vent-Free? (Rank in Order of Importance: 1-6)
___ Efficiency ___ Zone/supplemental heating ___ Stand-by-heat

← PLEASE CUT ALONG DOTTED LINE →

To register your warranty, please provide the information indicated on this form and mail it to:

TEMCO Fireplace Products, Inc.
301 Perimeter Park Drive
Suite 227
Nashville, TN 37211

Model # _____ **Serial**
_____

I certify that I have followed all codes and regulations and adhered to the TEMCO installation instructions. I have completed the proper installation and startup checklist.

Installers Signature

Print Installer's Name

Purchaser _____
Address _____

Phone _____
Retailer _____
Address _____
Phone _____
Date of Purchase _____

WARRANTY REGISTRATION

Please Answer the Following Questions (Check Box):

1. Type of Home Single Family Duplex Apt. Mobile Home
 Cabin/Vacation
2. Installed in (Room) Living Family Great Rec Bedroom
 Other
3. Other Choices Considered Vented Decorative Gas Logs/Fireplace
 Woodburning Fireplace Gas Insert Woodburning Insert
 Direct-Vent gas Fireplace/Logs
4. Why Did You Choose Vent-Free? (Rank in Order of Importance: 1-6)
___ Efficiency ___ Zone/supplemental heating ___ Stand-by-heat