



# Valor *Homeflame*

Direct Vent Wall Furnace  
MODELS 479CN — For Natural Gas  
479MP — For Propane

fire-parts.com

## REPAIR PARTS LIST

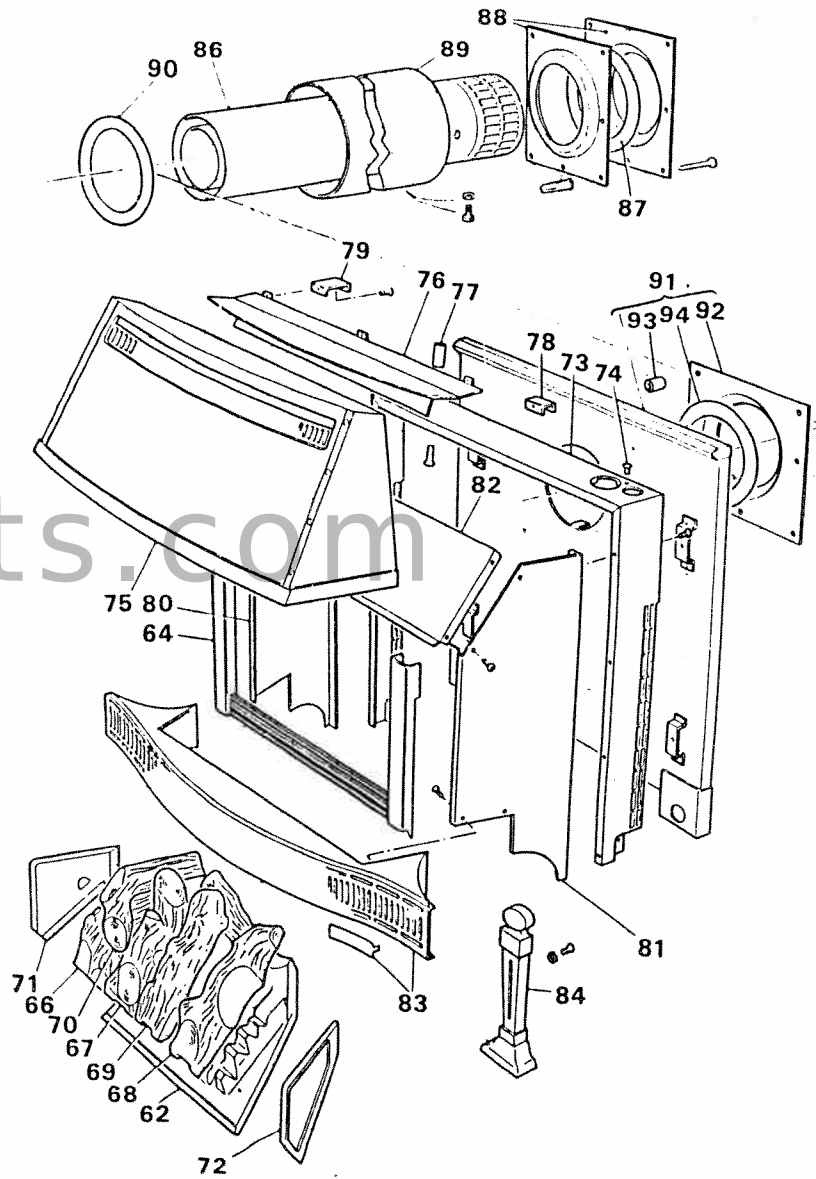
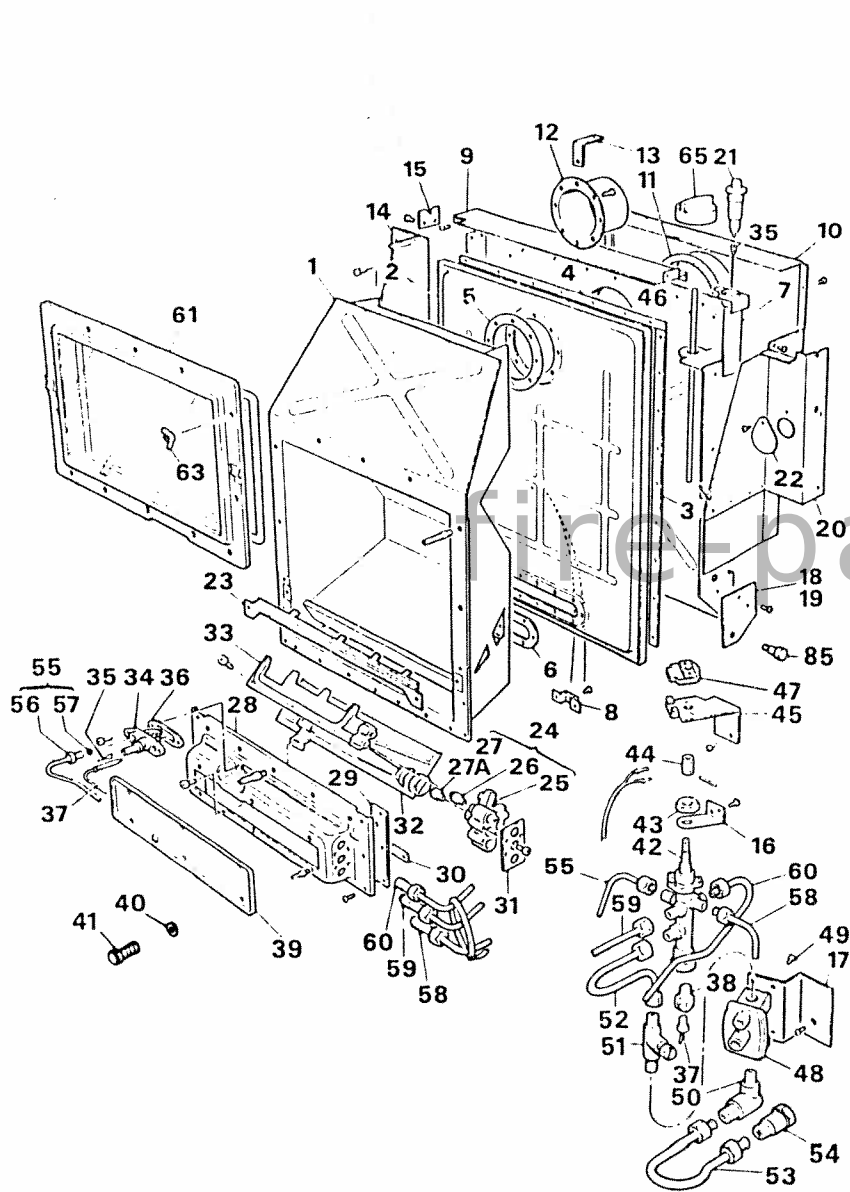
**Valor HEATING LIMITED**

ERDINGTON · BIRMINGHAM B24 9QP · ENGLAND

Because our Policy is one of constant development and improvement, details may vary slightly from those given in this publication.

DISTRIBUTED BY

**MILES**  
INDUSTRIES LTD  
829 Third Street West,  
NORTH VANCOUVER, B.C. V7P 3K7  
Phone (604) 984-3496



479CN/MP Parts Price List

No.	Description 479 Parts	Part No.	Price
1	Firebox Unit	549309	171.00
2	Air Duct Box	549199	2.25
3	Seal-Air Duct Box-Sides	549179	1.00
4	Seal-Air Duct Box-Top & Bottom	549189	1.00
5	Seal-Vent Port	549329	1.15
6	Seal-Firebox Air Inlet	549339	1.20
7	Back Panel Unit	551009	45.70
8	Back Panel Spacer	550799	1.00
9	Rear Heat Shield	549229	5.50
10	Rear Cooler Plate	551399	11.00
11	Sealing Ring	549799	5.00
12	Vent Collar	549209	5.70
13	Vent Collar Support Bracket	506619	1.15
14	Heat Shield - Left Side	551469	22.00
15	Outer Frame Top Location Bracket	549239	1.00
16	Control Valve Bracket	551019	1.00
17	Regulator Bracket	551049	1.00
18	Outer Frame Bottom Fixing Bracket- Right Side	550809	3.50
19	Outer Frame Bottom Fixing Bracket-Left Side	550819	3.50
20	Ignition Generator Shield Unit	551409	24.00
21	Piezo Electric Ignition Generator	554909	9.60
22	Generator Shield Access Cover	549299	1.50
23	Log Front Support Bar	555159	15.00
24	Burner Inlet Block & Injector Unit (Includes Keys 52 through 54)	554279 506859(P)	
25	Burner Inlet Block	551069	26.60
26	Gas Injector-Decorative Flame Burner	551089 554387(P)	3.70
27	Gas Injector-Main Burner Gas Injector-Main Burner(outer)	553759(P) 554289	2.00
27A	Gas Injector-Main Burner (centre)	554299	
28	Burner Box Unit	551099	38.00
29	Seal-Burner Box Sides	549549	1.00
30	Seal-Burner Box Bottom	549559	1.00

Key No.	Description 479 Parts	Part No.	Price
31	Seal-Burner Inlet Block	551109	1.00
32	Main Burner	551129 553779(P)	40.00 42.00
33	Decorative Flame Burner	551139 554399(P)	18.75 20.00
34	Pilot & Electrode Unit	506649 506869(P)	26.10 25.50
35	Piezo Ignition Lead	551169	5.00
36	Seal-Pilot Unit	551159	1.00
37	Thermocouple	551179	13.00
38	Thermocouple Interrupter	554309	7.20
39	Pressure Relief Cover	510509	13.00
40	Sealing Washer	510529	1.00
41	Spring Loaded Bushing	510519	3.00
42	Control Valve	548509	35.00
43	Locknut 15mm	502739	1.50
44	Control Shaft Connector	553869	3.00
45	Switch Clamping Plate	553819	2.50
46	Control Shaft	553809	4.70
47	Ignition Safety Switch	553839	6.90
48	Gas Pressure Regulator (Suitable for all serial nos) Gas Pressure Regulator (For Serial Nos including letter G upwards)	551219 503049(P) 508199 508209(P)	23.40 23.35 15.00 16.00
49	Screw #6x 1/4" Taptite 32 t.p.i.	548609	1.00
50	Elbow-Regulator Connector	548749	5.50
51	Pressure Test Fitting Unit	548739	7.75
52	Pipe Unit-Pressure Test Unit to Valve	551229	8.00
53	Supply Inlet Pipe	551449	14.70
54	Supply Inlet Connector	551459	5.50
55	Pipe Kit (Pipe, Nut, & Ferrule)-Pilot to Valve	551229	8.00
56	Nut for pipe	551249	
57	Ferrule for pipe	551259	
58	Pipe Unit-Valve to Main Burner Centre Inlet	551269	6.15
59	Pipe Unit-Valve to Flame Burner Centre Inlet	551279	6.50

Key No.	Description 479 Parts	Part No.	Price
60	Pipe Unit-Valve to Outer Burners Inlet	551289	6.00
61	Window Unit	549729	84.30
62	Log Support Base	551299	26.50
63	Wing Nut 5mm Bright	533249	
64	Window Surround Trim Unit	549119	20.00
65	Control Knob	548519	2.00
66	Log #1	557649	12.00
67	Log #2	557659	12.00
68	Log #3	557669	12.00
69	Log #4	557679	12.00
70	Log #5	557689	12.00
71	Left Side Cheek	549619	6.25
72	Right Side Cheek	549629	6.25
73	Outer Rear Frame (Black)	551039	37.00
73	Outer Rear Frame (White)	519599	37.00
74	Control Position Indicator Pin	530939	1.00
75	Hood Unit (Black)	549929	54.00
75	Hood Unit (White)	507629	47.00
76	Hood Top Heatshield	549059	16.00
77	Spacer-Hood Top Heatshield	549069	1.00

Key No.	Description 479 Parts	Part No.	Price
78	Rear Frame Locator-Short	549809	1.00
79	Rear Frame Locator-Long	549819	1.00
80	Left Side Panel-Black	547499	11.00
80	Left Side Panel-White	507649	35.00
81	Right Side Panel-Black	547489	11.00
81	Right Side Panel-White	507639	35.00
82	Upper Front Heatshield	547509	12.00
83	Hearth Fender & Apron Unit-Black	551309	44.50
83	Hearth Fender & Apron Unit-White	507659	57.00
84	Brass Andiron	549029	25.00
85	Knurled Head Screw	549109	1.00
86	Vent Unit	554319	39.00
87	Sealing Ring-Vent to Wall Plate	551329	5.00
88	Wall Plate	554329	5.00
89	Outer Vent Shield Tube	554339	9.00
90	Sealing Ring	549799	5.00
91	Wall Heatshield (incl. keys 92-94)	557699	67.00
92	Wall Heatshield Plate	508219	4.00
93	Heatshield Plate Spacer	508229	1.00
94	Sealing Ring	551329	5.00

Prices are subject to change without notice